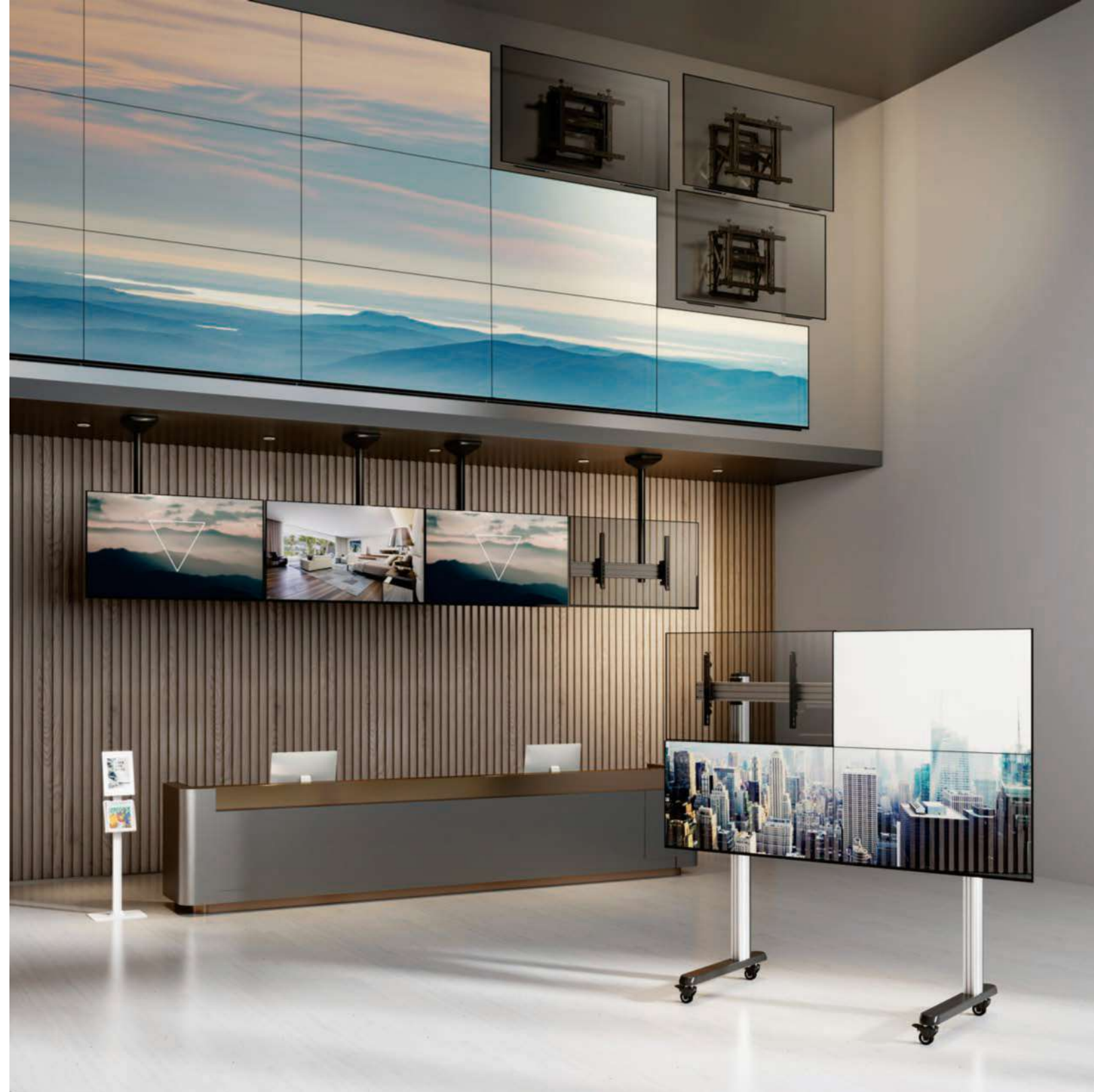


2023 | PROSUMER MOUNTING SOLUTIONS

Edition 10



www.xoxoo.co

PROSUMER MOUNTING SOLUTIONS

2023



www.xoxoo.co

Tel: +65 9622 6641

Email: sales@xoxoo.co

Add: 202 Kallang Place #08-02 Singapore 339339



XoXoo



@shopxoxoo



@shopxoxoo



PART D
MODULAR SOLUTIONS

PART B
MENU BOARD MOUNTS

PART A
VIDEO WALL MOUNTS

PART E
PROJECTOR MOUNTS

PART C
TV CARTS & STANDS

PART F
TABLET & POS MOUNTS

PRODUCTS

BY INDUSTRIES

PUBLIC VENUE

- A03 Video Wall Mounts
- A09 Video Wall Ceiling Mounts
- A12 Video Wall Carts & Stands

QSR & TICKET OFFICE

- B03 Menu Board Mounts

CORPORATE

- C04 C31V Carts & Stands
- Interactive Display
- Mounts & Stands

EDUCATION & TRAINING

- E03 Projector Mounts

RETAIL & HOSPITALITY

- F04 F16 Tablet Mounts
- POS Mounts



1 TV CART C04

MORE RECOMMENDED PRODUCTS



TTF15-68FW



2 VIDEO WALL CART A16
LES01 Series



3 PROJECTOR MOUNT E03
PRB-23 Series



4 TABLET KIOSK F10
PAD32 Series

LIFTING MECHANISMS



Motorized Lifting

effortless to adjust the height from across the room using the remote control



Coil Spring Assisted

weight counterbalance provides smooth and effortless TV height adjustment with finger touch



Hand Crank

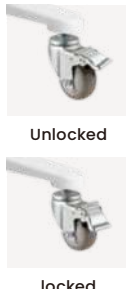
allows stepless TV height adjustment even after TV is mounted



Pre-Set Heights

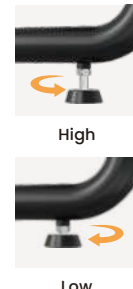
lower or raise the TV to set positions found along the column using a pull-spring pin/set screw

BASE TYPES



Mobile Base with Braked Casters

Sturdy base with PU hooded caster for smooth and silent mobility with no marking. Each caster can be locked or released by pressing on a foot lever for effortless rearrangement



Freestanding Base with Leveling Feet

Popular choice responds to stationary applications with a low profile to the ground. Adjustable leveling feet with anti-slip rubber pads for solid placement, even on uneven floors

FUNCTIONS



Overhead Camera Shelf

height-adjustable platform for video-conferencing camera



Attached Lockable Cabinet

provides enough space for storage and keeps property safe and sound



D-Ring Handle

easy to grip while moving the cart



Equipment Shelf

adjustable along the column for holding laptop, remote or presentation material

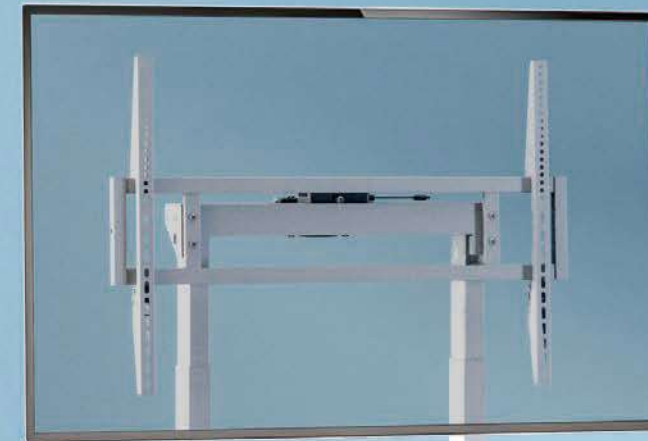


Cable Management

internal cable routing allows a clutter-free look

TTL14-68 Series

Motorized Heavy Duty TV Carts/Stand



2 Memory RF Remote Control
raise or lower the TV from a distance





Powerful Lifting Motor
smooth and quiet movement - even with the heaviest TVs

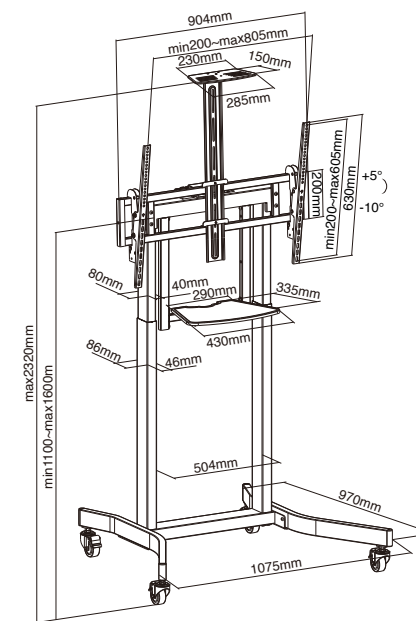


Universal VESA Mount
supports large TVs from 55"-100"

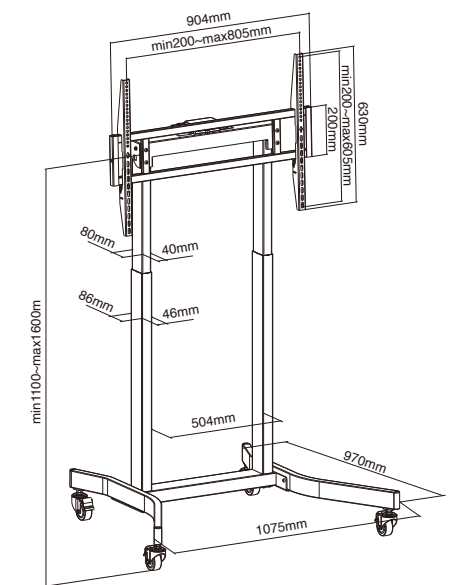


Locking Casters
ensure smooth movement and lock in place

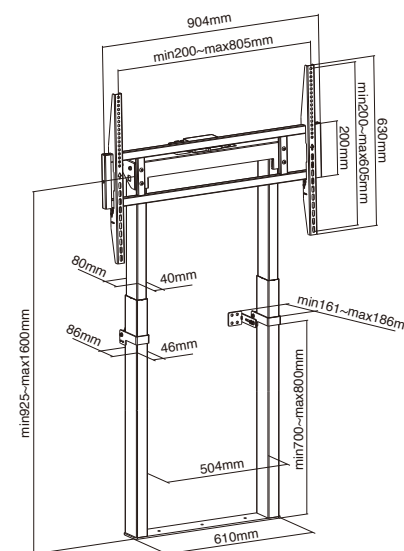
TTL14-68TW TV Cart



TTL14-68FW TV Cart



TTL14-68FR TV Wall-Mounted Stand



Colors: **FC CE**

Item No.	TTL14-68TW	TTL14-68FW	TTL14-68FR
Screen Size	55"-100"	55"-100"	55"-100"
Max. VESA	800x600	800x600	800x600
TV Weight Capacity	120kg/264lbs	120kg/264lbs	120kg/264lbs
Shelf Weight Capacity	5kg/11lbs	/	/
Strength Tested	4 Times Approved	4 Times Approved	4 Times Approved
Height Range	1100-1600mm (43.3"-63")	1100-1600mm (43.3"-63")	925-1600mm (36.4"-63")
Tilt Range	5° ~ -10°	/	/

TTF15-68FW

Heavy-Duty Studio Aluminum TV Cart

Take Teamwork Anywhere



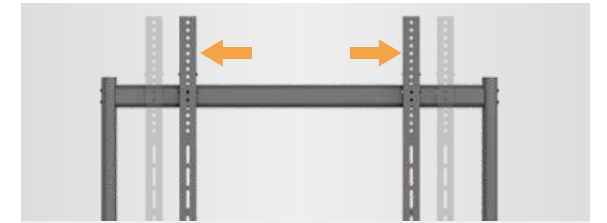
HEAVY-DUTY STUDIO ALUMINUM TV CART

TTF15-68FW

Fit up to **86"** screen weight up to **120kg**



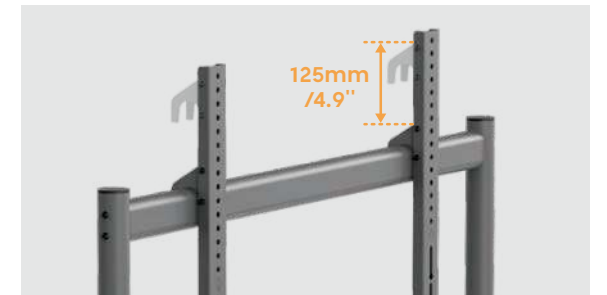
Storage Shelf
for supplies such as pens, sticky notes, etc.



Sliding Brackets
Compatible with max 800x800 VESA



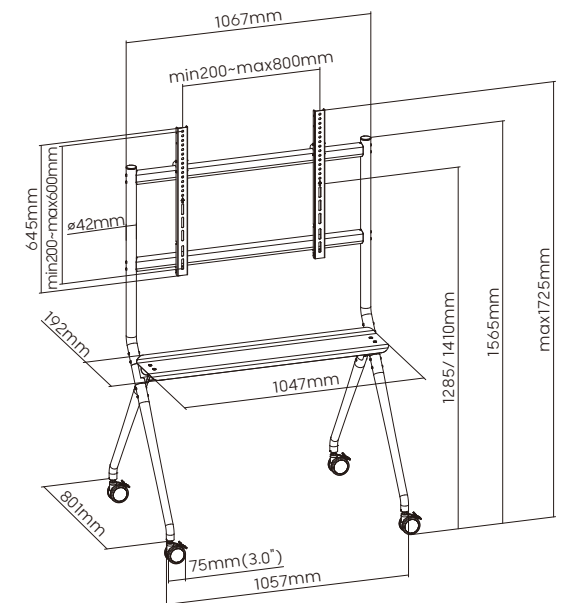
Adjustable double hook design
strong, durable and easy to install



Height adjustable
2 levels for different needs



75mm large casters
ensure the mobility and flexibility



Item No.	TTF15-68FW
Screen Size	50"-86"
Max. VESA	800x600
TV Weight Capacity	120kg/264lbs
Strength Tested	4 Times Approved



Pre-Drilled Mounting Holes for Height Adjustment

Holds up to 60"~105" Screen



Aluminum T-Fitting provides extra stability

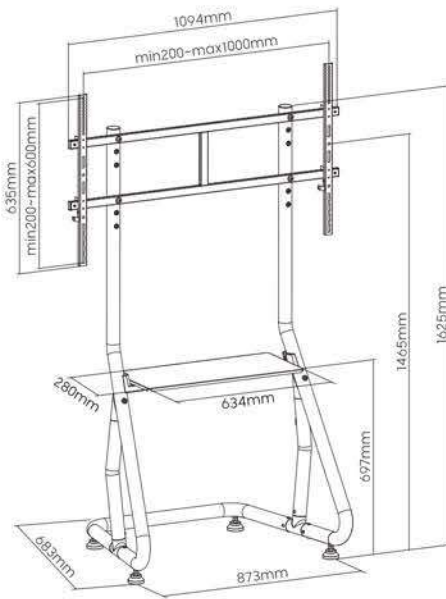


Anti-Theft Design great for public areas (padlock not included)

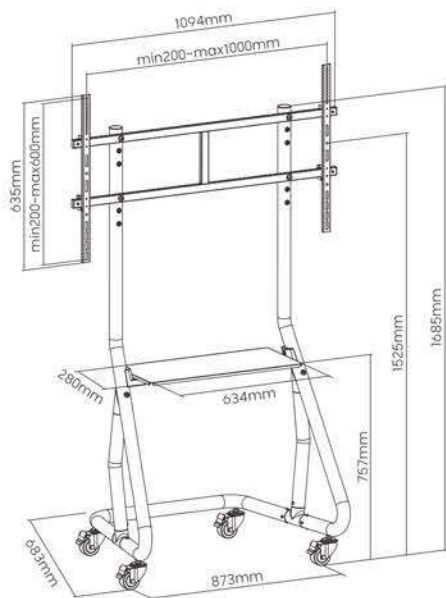


Cable Management creates a clean appearance

TTL08-610FF Large Screen TV Stand

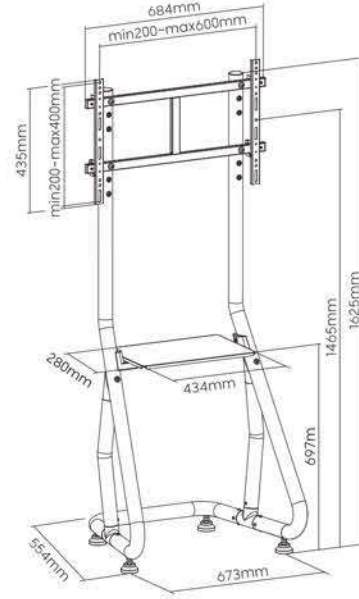


TTL08-610FW Large Screen TV Cart

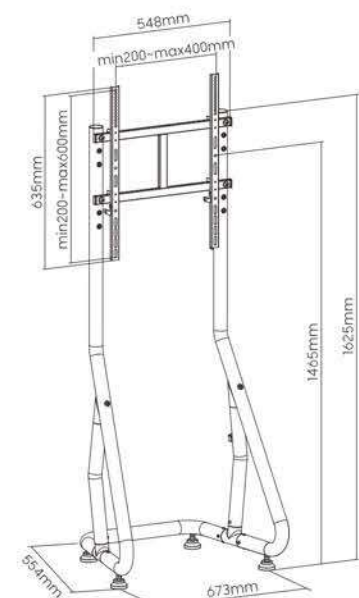


Item No.	TTL08-610FF	TTL08-610FW
Screen Size	60"-105"	60"-105"
Max. VESA	1000x600	1000x600
TV Weight Capacity	120kg/264lbs	100kg/220lbs
Shelf Weight Capacity	25kg/55lbs	25kg/55lbs
Strength Tested	4 Times Approved	4 Times Approved
Base Type	Feet	Caster

TTF08-46FF Landscape Screen TV Stand

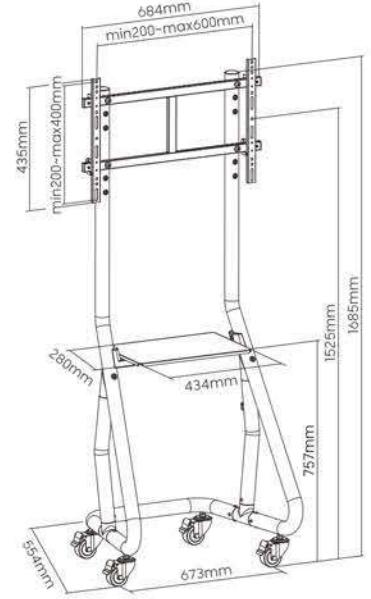


TTF08-64FF Portrait Screen TV Stand

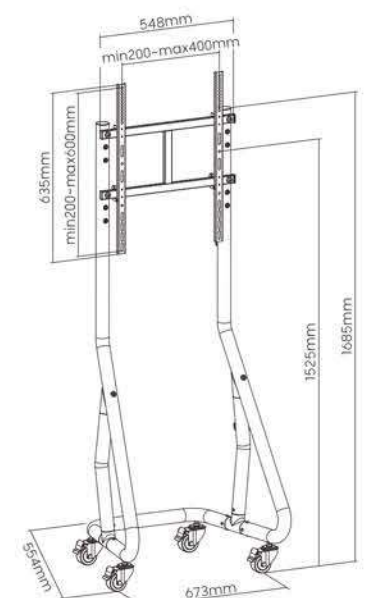


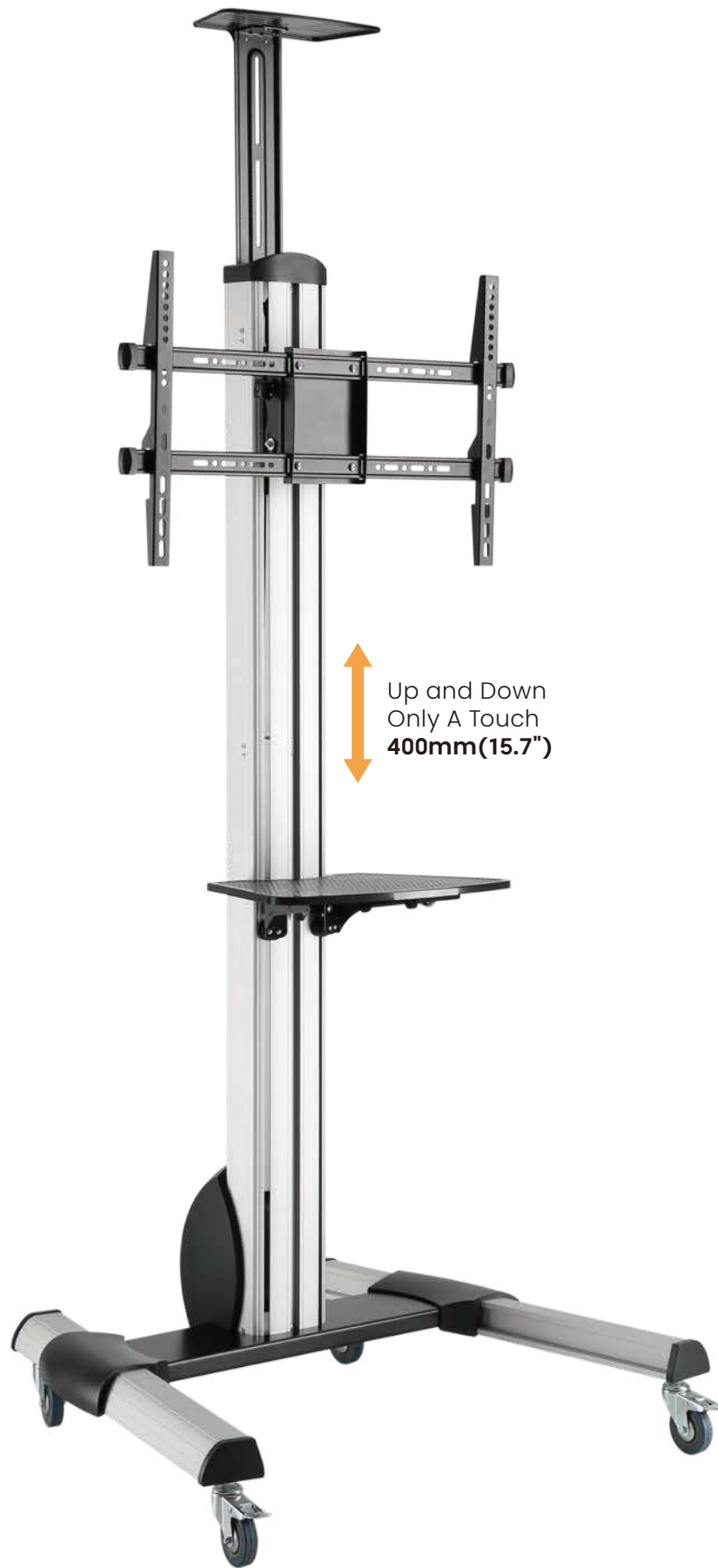
Item No.	TTF08-46FF	TTF08-46FW	TTF08-64FF	TTF08-64FW
Screen Size	37"-80"	37"-80"	45"-60"	45"-60"
Max. VESA	600x400	600x400	400x600	400x600
TV Weight Capacity	100kg/220lbs	80kg/176lbs	100kg/220lbs	80kg/176lbs
Shelf Weight Capacity	25kg/55lbs	25kg/55lbs	/	/
Strength Tested	4 Times Approved	4 Times Approved	4 Times Approved	4 Times Approved
Base Type	Feet	Caster	Feet	Caster

TTF08-46FW Landscape Screen TV Cart



TTF08-64FW Portrait Screen TV Cart

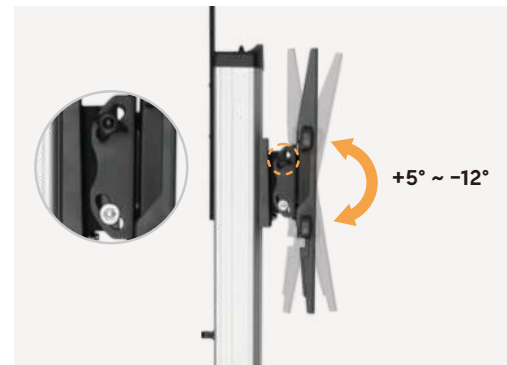




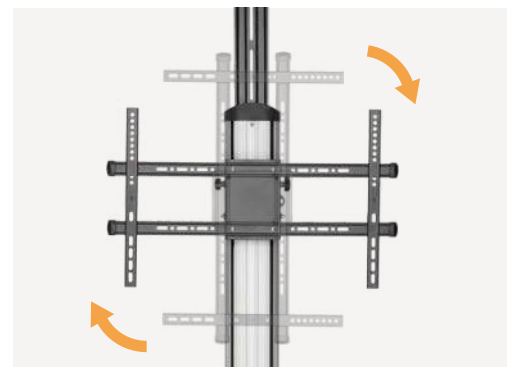
Up and Down
Only A Touch
400mm(15.7")



Locking Knob
holds screen height securely



Easy-Grip Knobs
for quick toolless tilt
(for TTV05-46TW & TTV05M-46TW only)

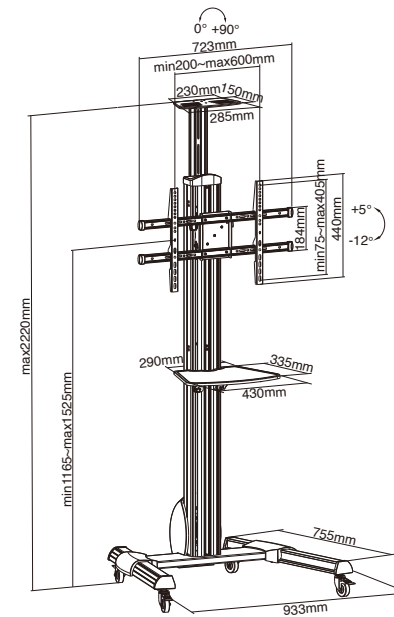


Portrait or Landscape Orientation
ideal for any style presentation

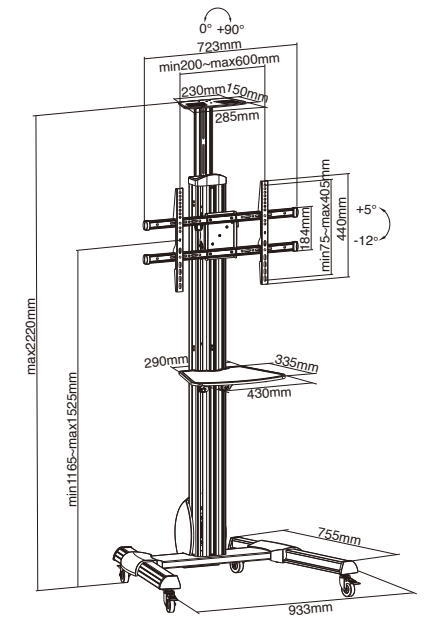


Built-In Spring Tension Gauge
for perfect weight adjustments

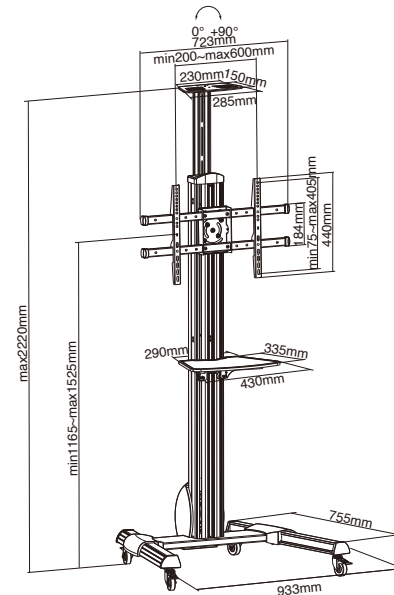
TTV05-46TW



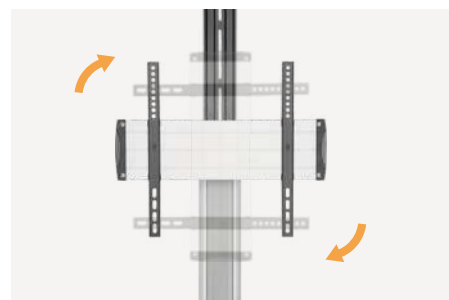
TTV05M-46TW



TTV05L-46TW



Item No.	TTV05-46TW	TTV05M-46TW	TTV05L-46TW
Screen Size	42"-55"	47"-64"	49"-70"
Max. VESA	600x400	600x400	600x400
TV Weight Capacity	8~20kg/17.6~44lbs	19~34kg/41.8~74.8lbs	33~45kg/72.6~99lbs
Shelf Weight Capacity	5kg/11lbs	5kg/11lbs	5kg/11lbs
Strength Tested	3 Times Approved	4 Times Approved	4 Times Approved
Tilt Range	+5° ~ -12°	+5° ~ -12°	/
Screen Rotation	0° ~ +90°	0° ~ +90°	0° ~ +90°



Portrait or Landscape Orientation
ideal for any style presentation

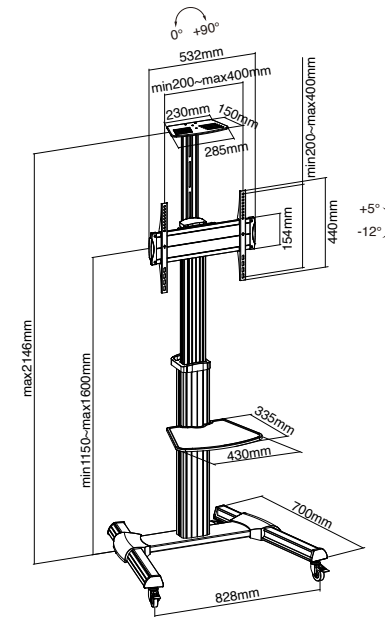


Column Height Markings
conveniently display the current height

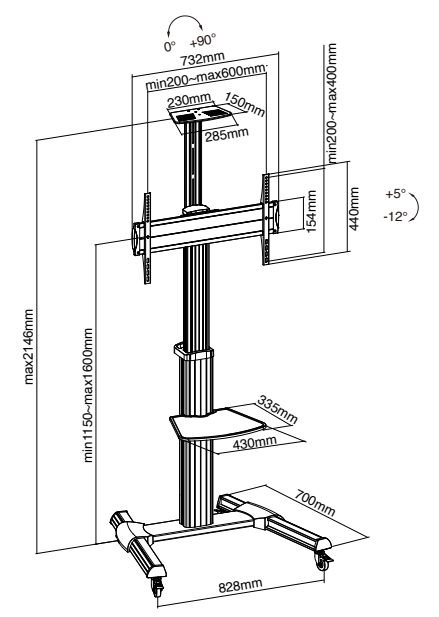


Easy to Install Shelf
a place for devices or accessories

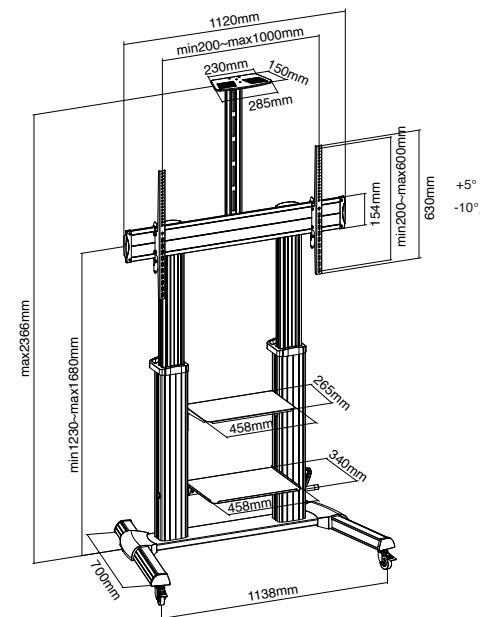
TTV04H-44TW Landscape / Portrait Orientation



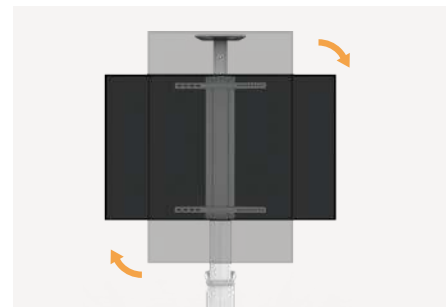
TTV04H-46TW Landscape / Portrait Orientation



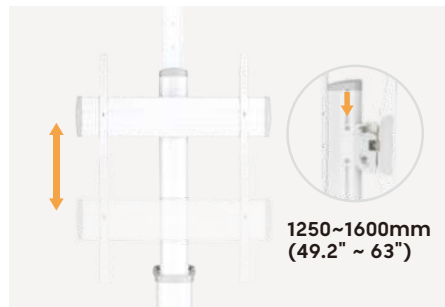
TTL04H-610TW Landscape Orientation Only



Item No.	TTV04H-44TW	TTV04H-46TW	TTL04H-610TW
Screen Size	32"-55"	37"-70"	60"-100"
Max. VESA	400x400	600x400	1000x600
TV Weight Capacity	50kg/110lbs	50kg/110lbs	100kg/220lbs
Shelf Weight Capacity	5kg/11lbs	5kg/11lbs	5kg/11lbs
Strength Tested	4 Times Approved	4 Times Approved	3 Times Approved
Tilt Range	+5° ~ -12°	+5° ~ -12°	+5° ~ -10°
Screen Rotation	0° ~ +90°	0° ~ +90°	/



Portrait or Landscape Orientation
ideal for TV viewing and presentation use
(for TTV12-46TW and TTV12E-46TW only)

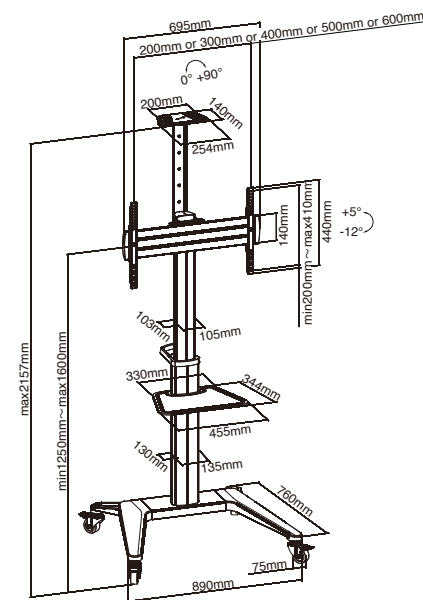


Quick Height Adjustment
allows for any desired TV position
along the column
1250~1600mm
(49.2" ~ 63")

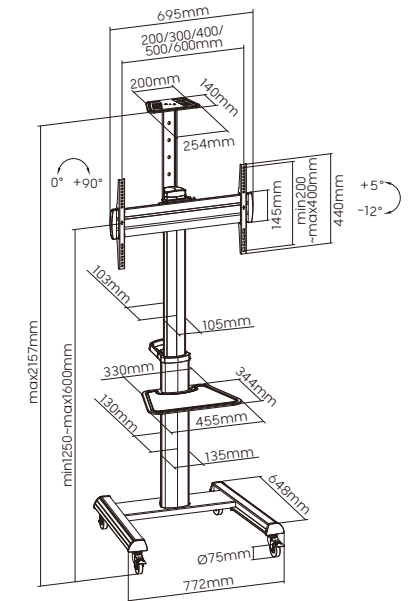


Enhanced Base
wider crosspiece is connected to the feet
providing added stability

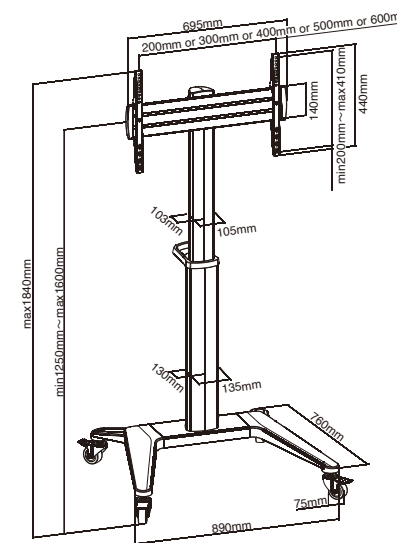
TTV12-46TW Landscape / Portrait Orientation



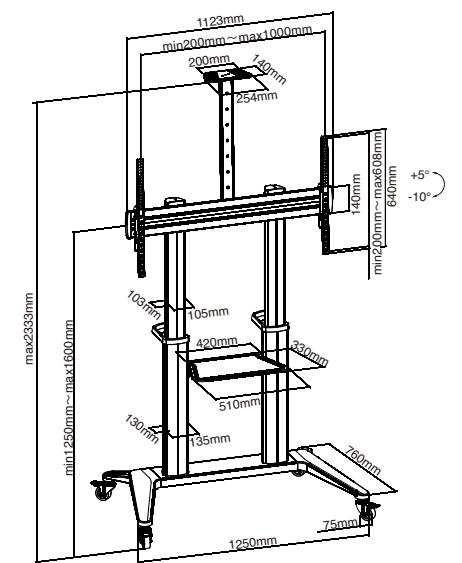
TTV12E-46TW



TTF12-46TW Landscape Orientation Only



TTL12-610TW Landscape Orientation Only



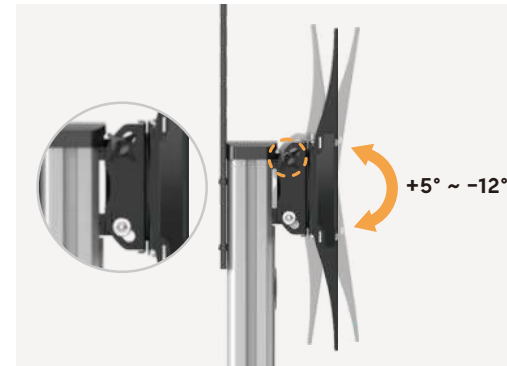
Colors:

Item No.	TTV12-46TW	TTV12E-46TW	TTF12-46TW	TTL12-610TW
Screen Size	37"-70"	37"-70"	37"-70"	70"-120"
Max. VESA	600x400	600x400	600x400	1000x600
TV Weight Capacity	70kg/154lbs	70kg/154lbs	70kg/154lbs	140kg/308lbs
Shelf Weight Capacity	5kg/11lbs	5kg/11lbs	/	5kg/11lbs
Strength Tested	4 Times Approved	4 Times Approved	4 Times Approved	3 Times Approved
Tilt Range	+5° ~ -12°	+5° ~ -12°	/	+5° ~ -10°
Screen Rotation	0° ~ +90°	0° ~ +90°	/	/



Portrait or Landscape Orientation
ideal for any style presentation

420mm (16.5")
Height Adjustment



Easy-Grip Knobs
for quick toolless tilt



Height Adjustments by Set Screws
for a perfect viewing height

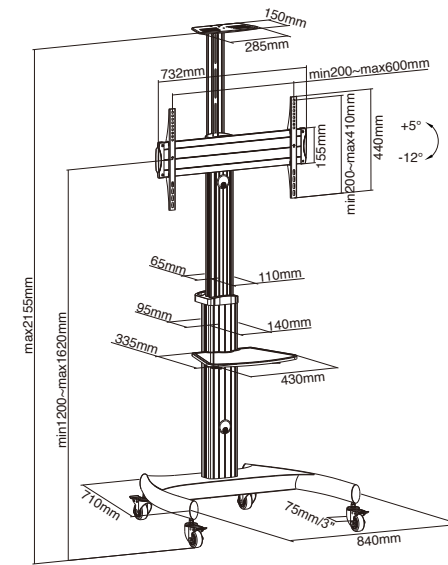


Column Height Markings
conveniently display the current height

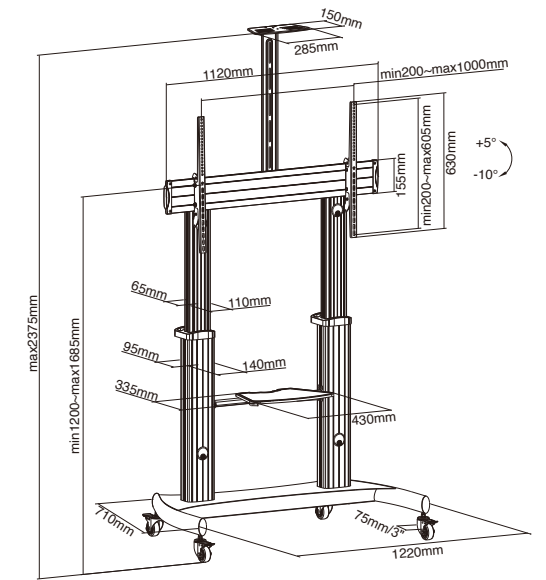


Easy to Install Shelf
a place for devices or materials

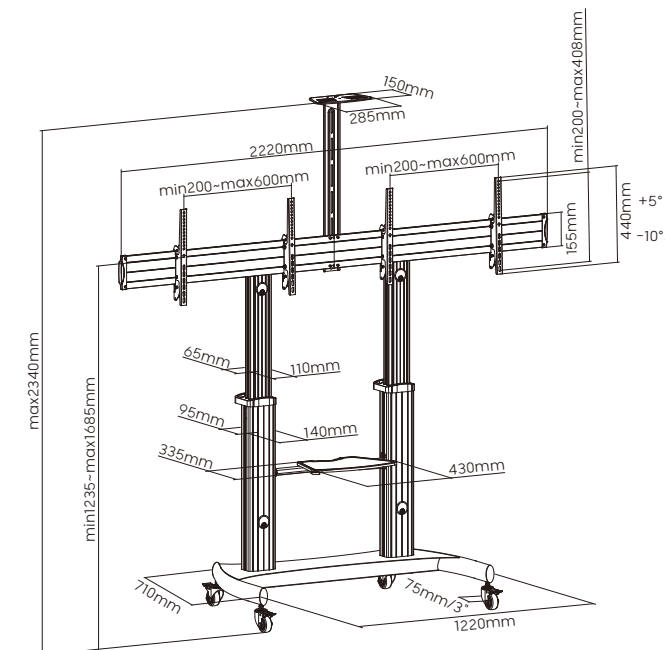
TTV07-46TW Single Screen TV Cart



TTL07-610TW Large Screen TV Cart



TTD07-46TW Dual Screen TV Cart



Item No.	TTV07-46TW	TTL07-610TW	TTD07-46TW
Screen Size	37"-70"	60"-100"	37"-60"
Max. VESA	600x400	1000x600	600x400
TV Weight Capacity (per screen)	50kg/110lbs	100kg/220lbs	50kg/110lbs
Shelf Weight Capacity	5kg/11lbs	5kg/11lbs	5kg/11lbs
Strength Tested	4 Times Approved	4 Times Approved	4 Times Approved
Tilt Range	+5° ~ -12°	+5° ~ -10°	+5° ~ -10°
Screen Rotation	0° ~ +90°	/	/

TELESCOPIC HEIGHT-ADJUSTABLE ALUMINUM TV CARTS

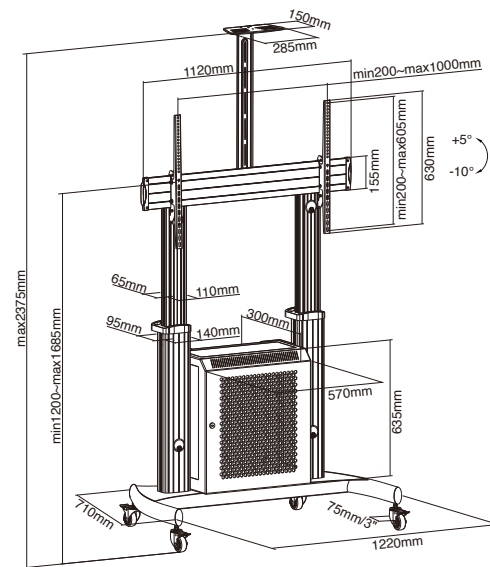
TT07 SERIES



Built-In Cabinet with Lock provides enough space for storage and anti-theft protection

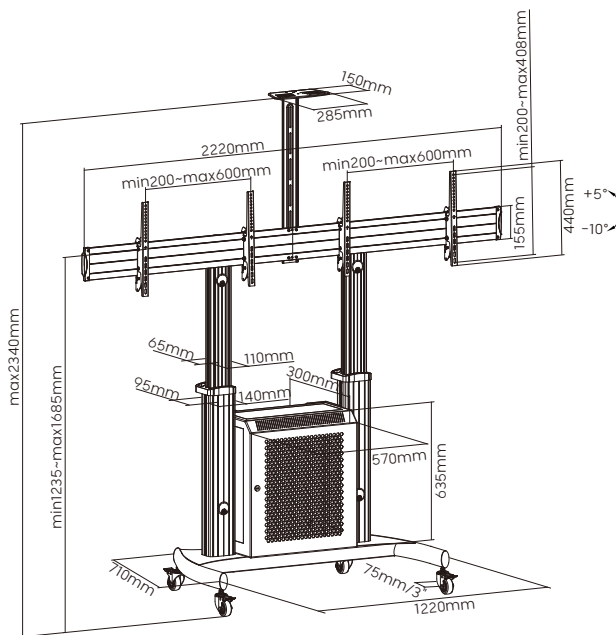
TTL07C-610TW

Large Screen TV Cart with Cabinet



TTD07C-46TW

Dual Screen TV Cart with Cabinet



TELESCOPIC HEIGHT-ADJUSTABLE STEEL TV CARTS

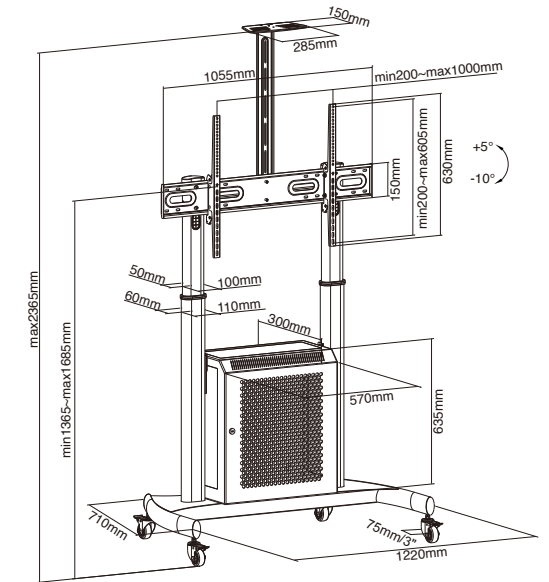
TT06 SERIES



Built-In Cabinet with Lock provides enough space for storage and anti-theft protection

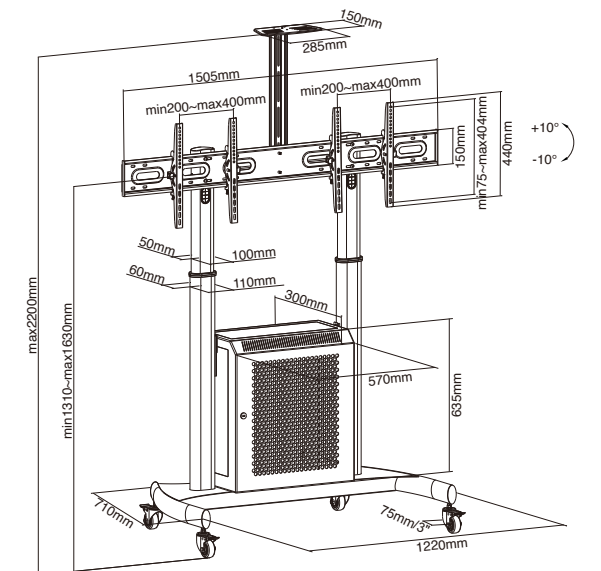
TTL06C-610TW

Large Screen TV Cart with Cabinet



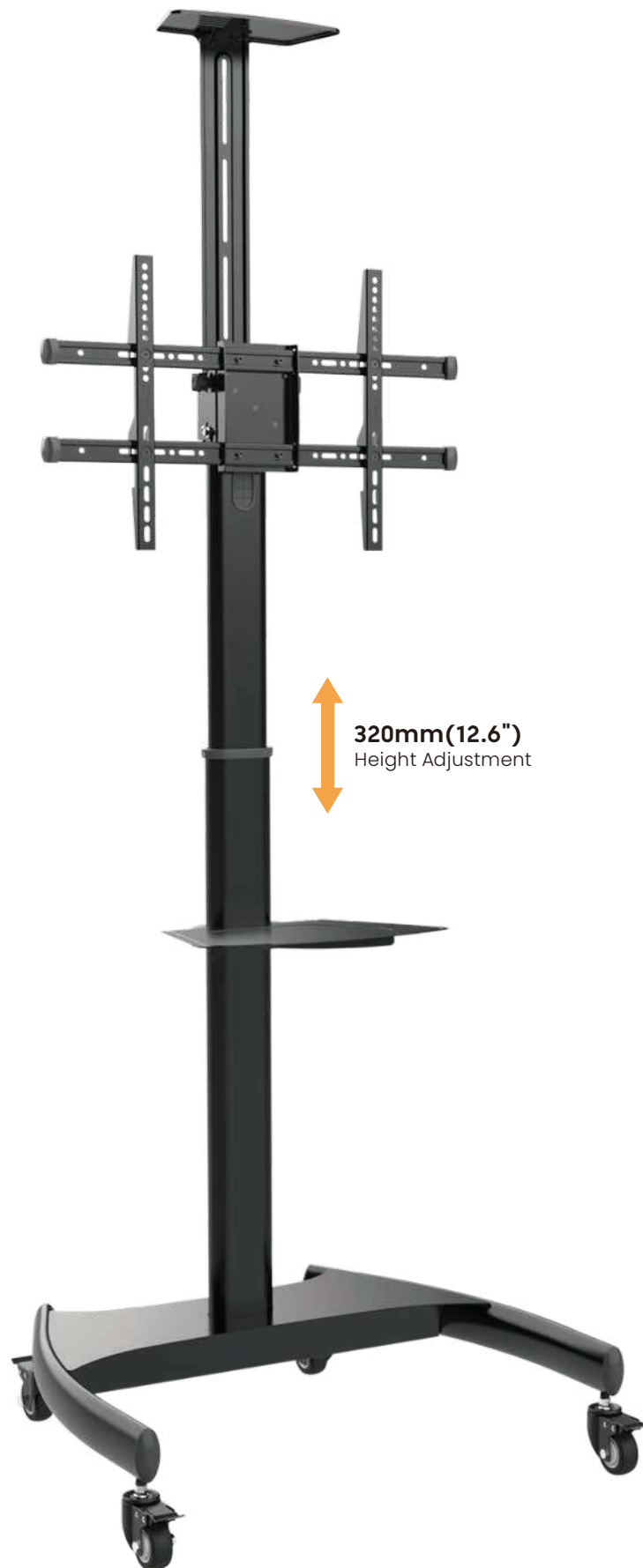
TTD06C-44TW

Dual Screen TV Cart with Cabinet

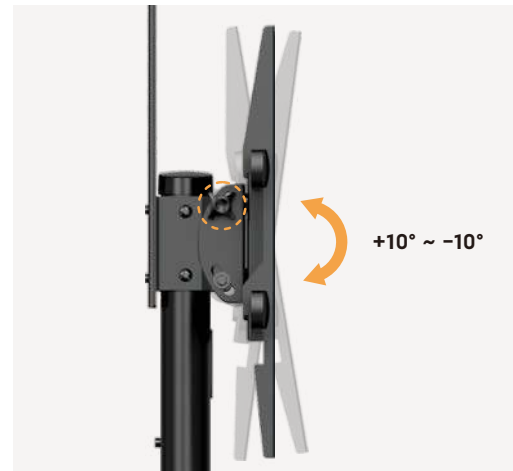


Item No.	TTL07C-610TW	TTD07C-46TW
Screen Size	60"-100"	37"-60"
Max. VESA	1000x600	600x400
TV Weight Capacity (per screen)	100kg/220lbs	50kg/110lbs
Strength Tested	4 Times Approved	4 Times Approved
Tilt Range	+5° ~ -10°	+5° ~ -10°

Item No.	TTL06C-610TW	TTD06C-44TW
Screen Size	60"-100"	35"-45"
Max. VESA	1000x600	400x400
TV Weight Capacity (per screen)	100kg/220lbs	40kg/88lbs
Strength Tested	3 Times Approved	3 Times Approved
Tilt Range	+5° ~ -10°	+10° ~ -10°

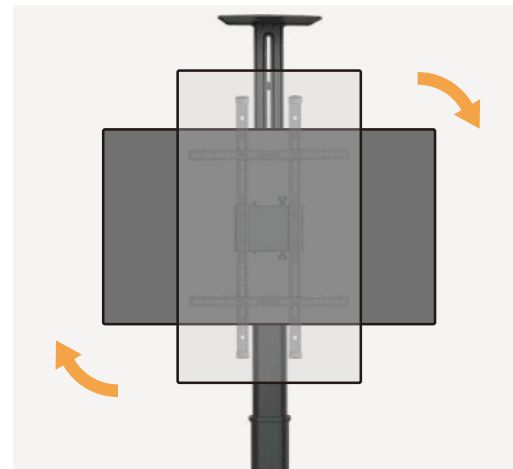


320mm(12.6")
Height Adjustment



+10° ~ -10°

Easy-Grip Knobs
for quick toolless tilt

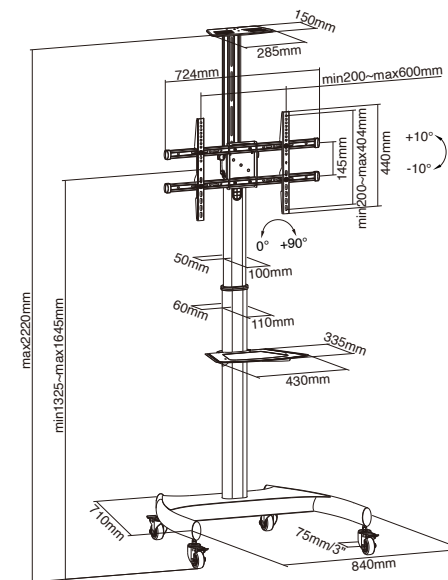


Portrait or Landscape Orientation
meets different viewing needs

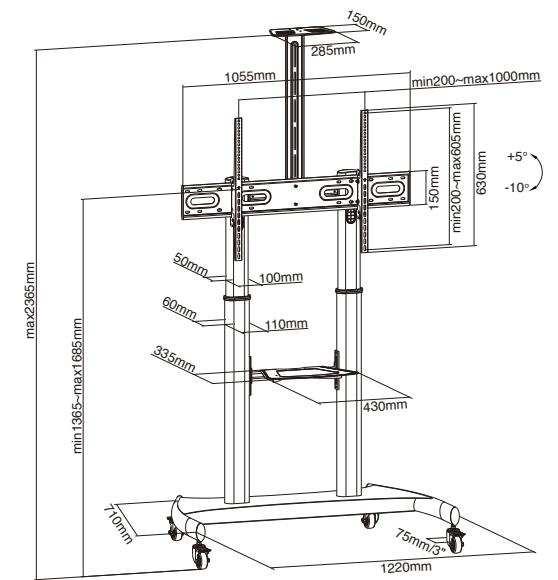


Quick-Release Spring Lock
adjusts the height in a snap

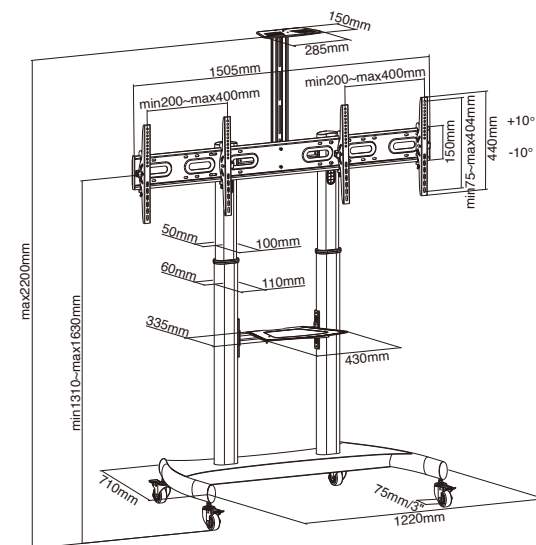
TTV06-46TW Single Screen TV Cart



TTL06-610TW Large Screen TV Cart



TTD06-44TW Dual Screen TV Cart



Item No.	TTV06-46TW	TTL06-610TW	TTD06-44TW
Screen Size	37"-70"	60"-100"	35"-45"
Max. VESA	600x400	1000x600	400x400
TV Weight Capacity (per screen)	50kg/110lbs	100kg/220lbs	40kg/88lbs
Shelf Weight Capacity	5kg/11lbs	5kg/11lbs	5kg/11lbs
Strength Tested	4 Times Approved	3 Times Approved	3 Times Approved
Tilt Range	+10° ~ -10°	+5° ~ -10°	+10° ~ -10°
Screen Rotation	0° ~ +90°	/	/

TELESCOPIC HEIGHT-ADJUSTABLE STEEL TV CARTS

TT06 SERIES

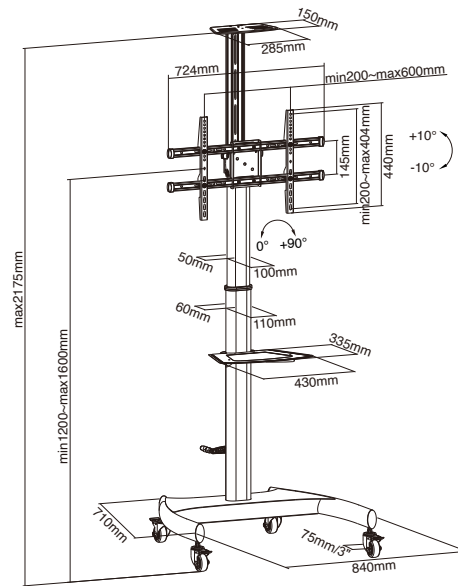


400mm (15.7")
Height Adjustable

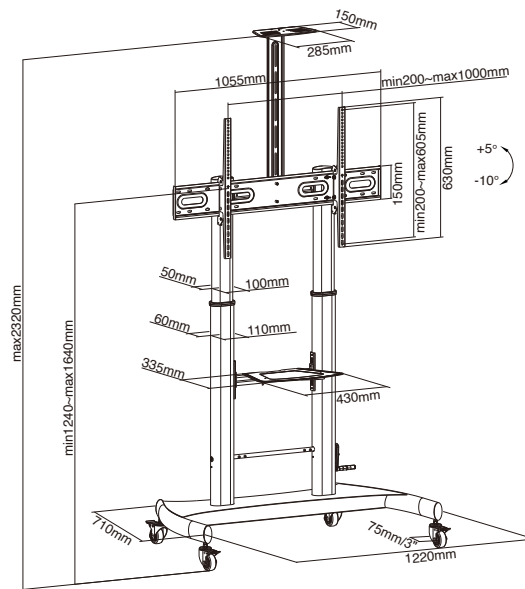


Crank Handle
allows for quick height
adjustment even after
TV is mounted

TTV06H-46TW Single Screen TV Cart



TTL06H-610TW Large Screen TV Cart



Item No.	TTV06H-46TW	TTL06H-610TW
Screen Size	37"-70"	60"-100"
Max. VESA	600x400	1000x600
TV Weight Capacity	50kg/110lbs 5kg/	100kg/220lbs
Shelf Weight Capacity	11lbs	5kg/11lbs
Strength Tested	4 Times Approved	3 Times Approved
Tilt Range	+10° ~ -10°	+5° ~ -10°
Screen Rotation	0° ~ +90°	/

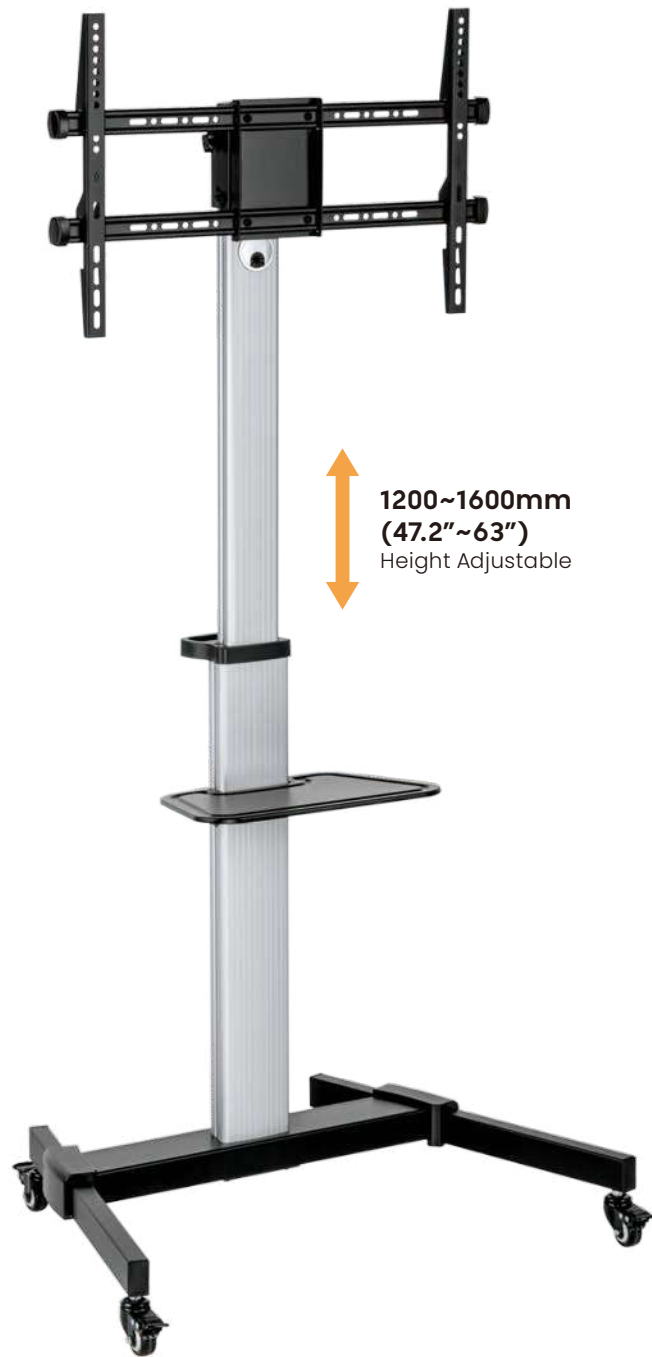
FS44-46TW

Elemental Aluminum TV Cart

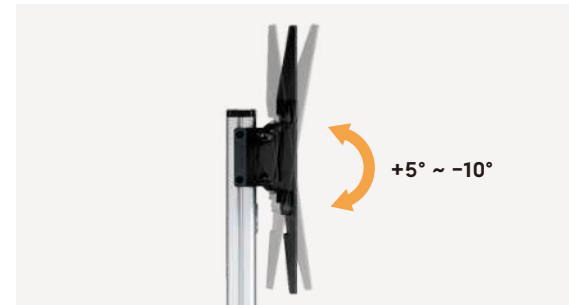


ELEMENTAL ALUMINUM TV CART

FS44-46TW

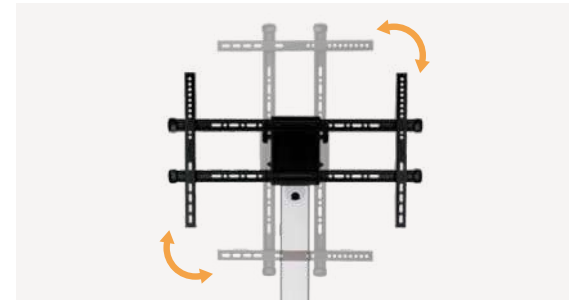


1200~1600mm
(47.2"~63")
Height Adjustable



Toolless Tilting
for the optimal viewing angle

+5° ~ -10°

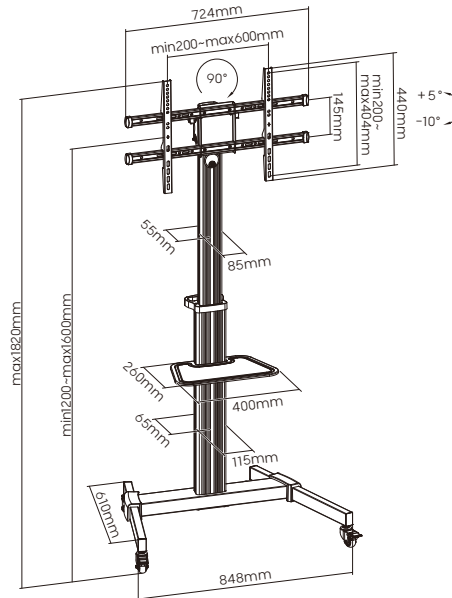


Portrait Or Landscape Orientation
ideal for TV viewing and presentation use



Cable Management
keeps everything organized

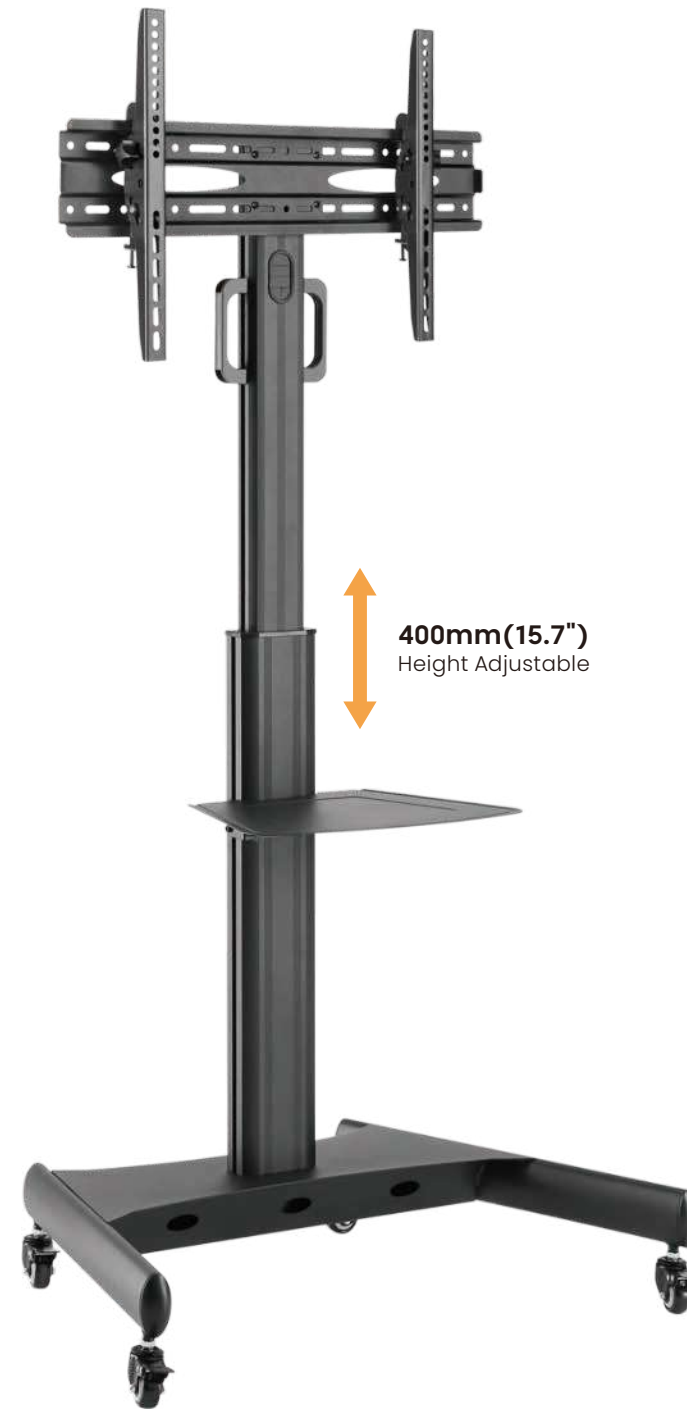
FS44-46TW



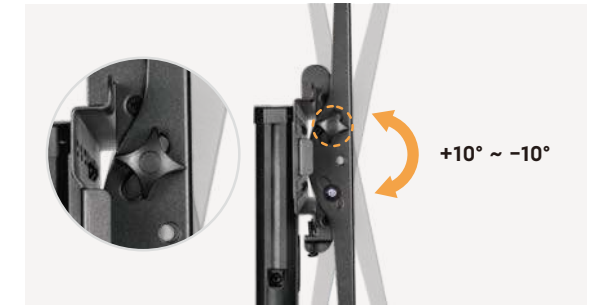
Item No.	FS44-46TW
Screen Size	37"-86"
Max. VESA	600x400
TV Weight Capacity	50kg/110lbs
Shelf Weight Capacity	5kg/11lbs
Strength Tested	4 Times Approved
Tilt Range	+5° ~ -10°

COMPACT ALUMINUM TV CART

FS11-46T



400mm(15.7")
Height Adjustable



Easy-Grip Knobs
for quick toolless tilt

+10° ~ -10°

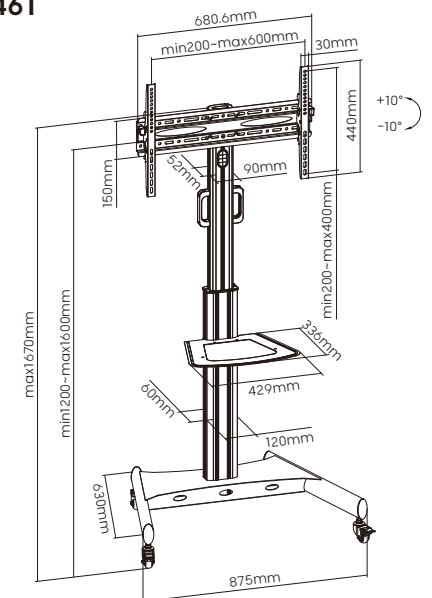


Rotary Knob
adjusts the height in a snap

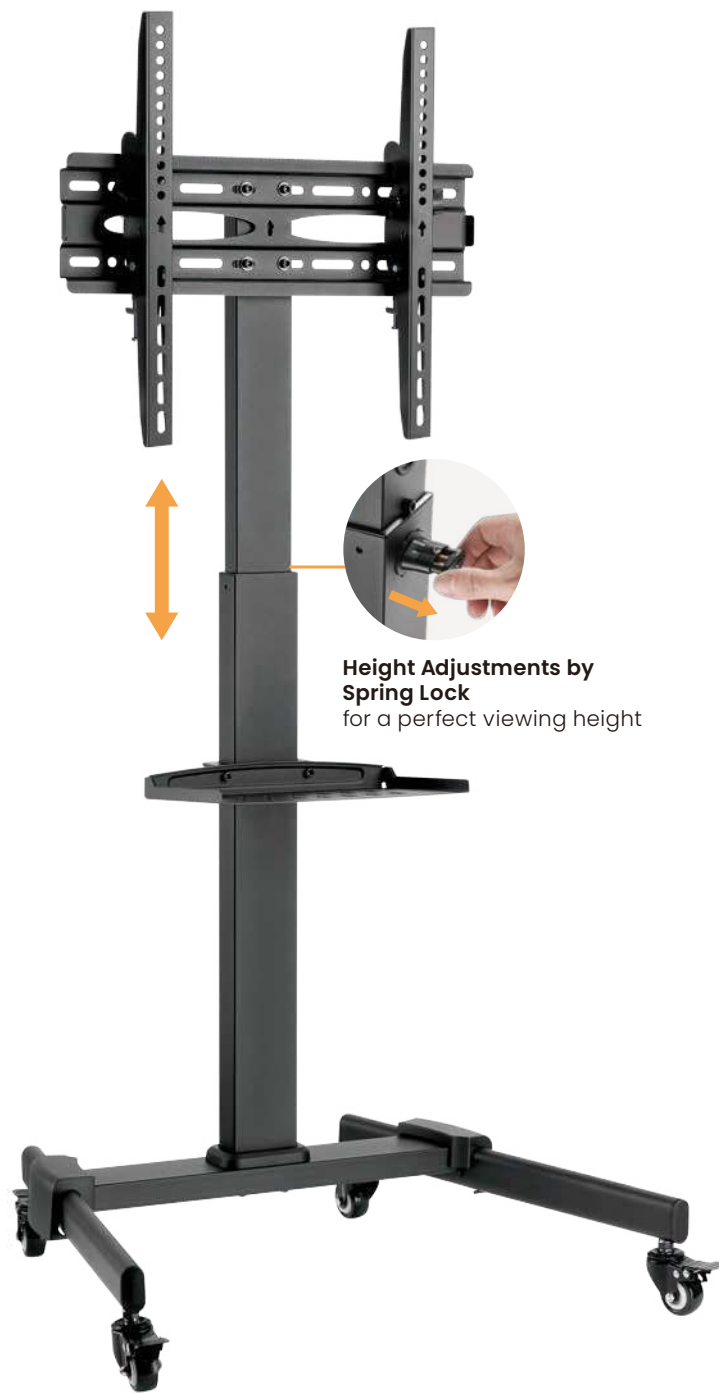


Dual Handles on the Upper Column
easy to grip for lowering or raising the column
when adjust the TV height

FS11-46T

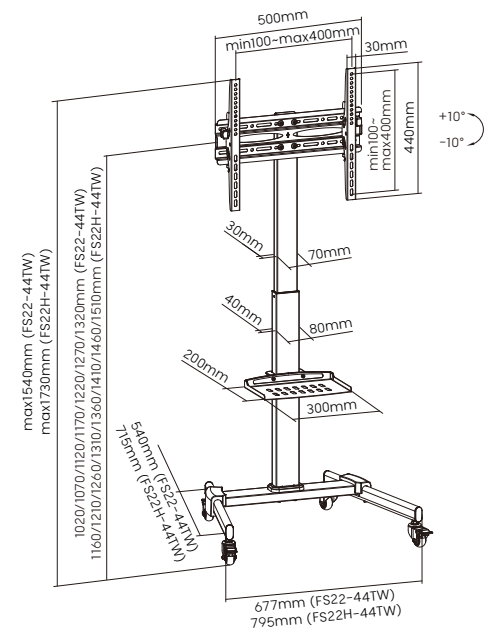


Item No.	FS11-46T
Screen Size	32"-65"
Max. VESA	600x400
TV Weight Capacity	35kg/77lbs
Shelf Weight Capacity	5kg/11lbs
Strength Tested	4 Times Approved
Tilt Range	+10° ~ -10°

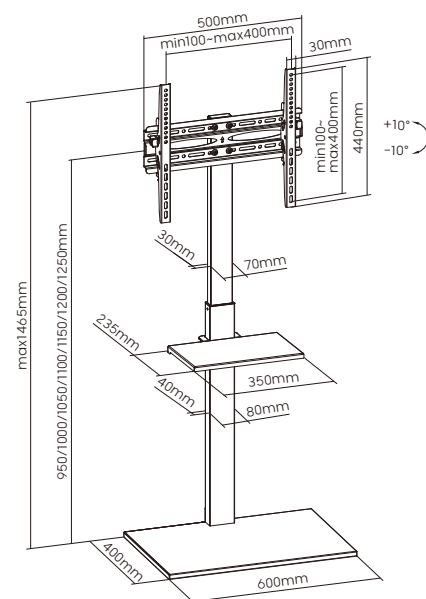


Height Adjustments by Spring Lock for a perfect viewing height

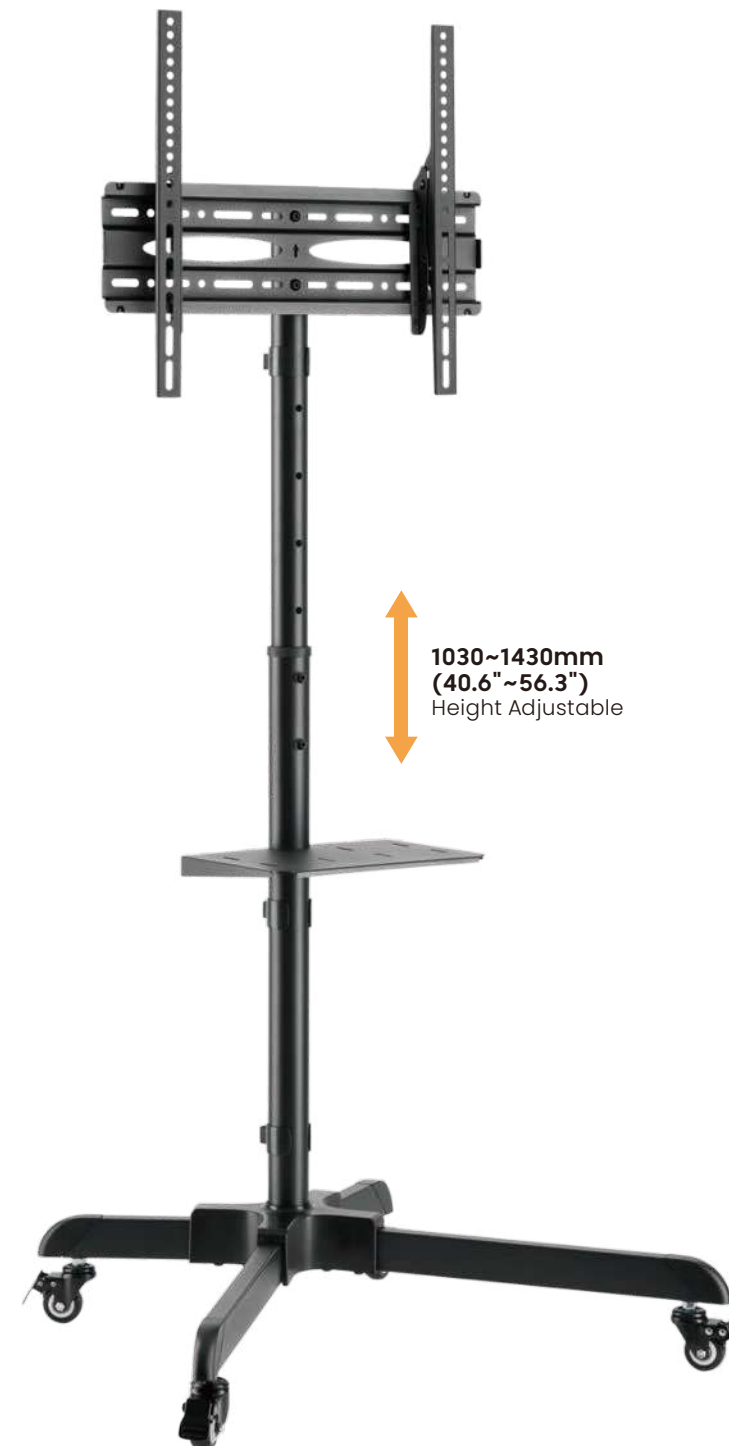
FS22-44TW with 7-Level Height Adjustment
FS22H-44TW with 8-Level Height Adjustment



FS22-44TP with 7-Level Height Adjustment

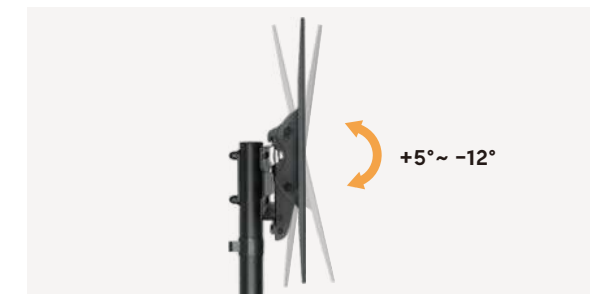


Item No.	FS22-44TW	FS22H-44TW	FS22-44TP
Screen Size	32"-55"	32"-55"	32"-55"
Max. VESA	400x400	400x400	400x400
TV Weight Capacity	35kg/77lbs	35kg/77lbs	35kg/77lbs
Shelf Weight Capacity	5kg/11lbs	5kg/11lbs	5kg/11lbs
Strength Tested	4 Times Approved	3 Times Approved	4 Times Approved
Tilt Range	+10° ~ -10°	+10° ~ -10°	+10° ~ -10°
Base Type	Caster	Caster	Pedestal



1030~1430mm (40.6"~56.3") Height Adjustable

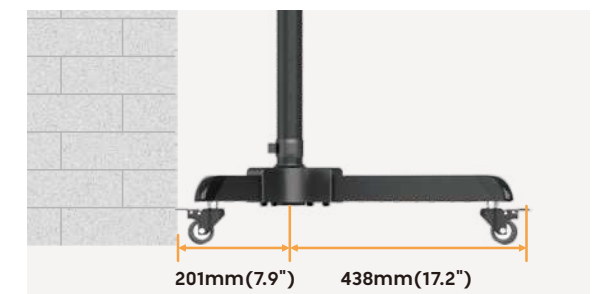
Item No.	FS23-44TW
Screen Size	32"-55"
Max. VESA	400x400
TV Weight Capacity	35kg/77lbs
Shelf Weight Capacity	5kg/11lbs
Strength Tested	Four Times
Tilt Range	+5° ~ -12°



Toolless Tilting for the optimal viewing angle

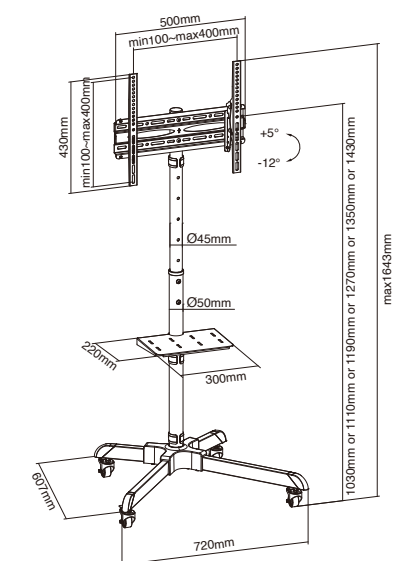


6 Level Height Adjustments by Set Screws for a perfect viewing height



Low-Profile Rear Feet help to place the cart close to the wall

FS23-44TW



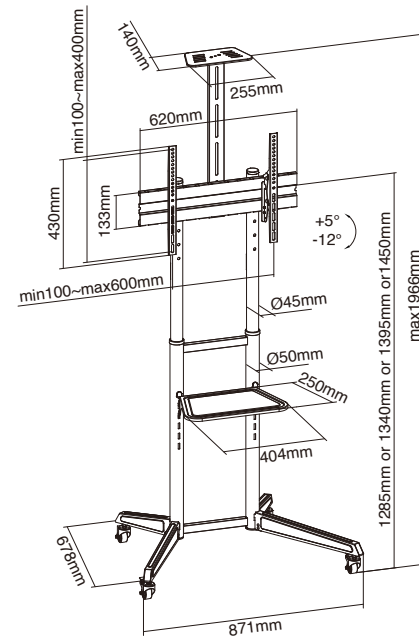
ECONOMY Steel TV Carts

T1040 Series

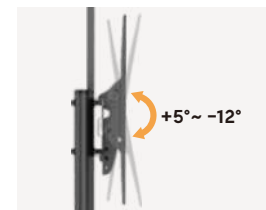
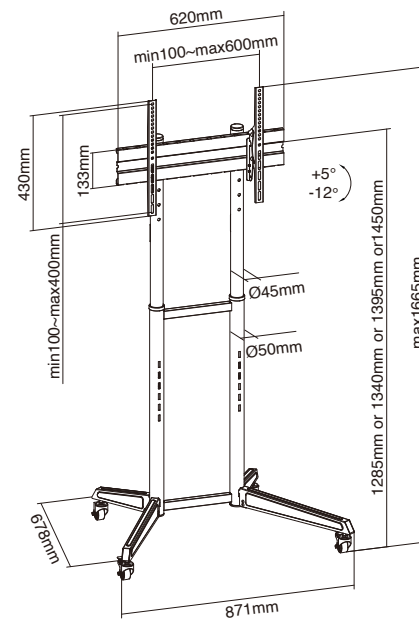


1285/1340/1395/1450mm
(50.6"/52.8"/54.9"/57.1")
Four Height Settings

T1040T with Camera & Equipment Shelf



T1040TE



Toolless Tilt Adjustment
for optimal viewing angles



Low-Profile Rear Feet
help to place the cart close to the wall

Item No.	T1040T	T1040TE
Screen Size	37"-70"	37"-70"
Max. VESA	600x400	600x400
TV Weight Capacity	50kg/110lbs	50kg/110lbs
Shelf Weight Capacity	5kg/11lbs	/
Strength Tested	4 Times Approved	4 Times Approved
Tilt Range	+5° ~ -12°	+5° ~ -12°

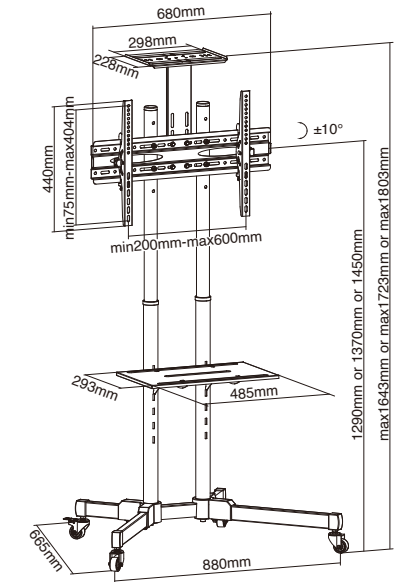
ECONOMY Steel TV Carts

T1028 Series

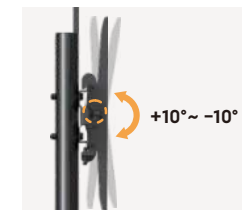
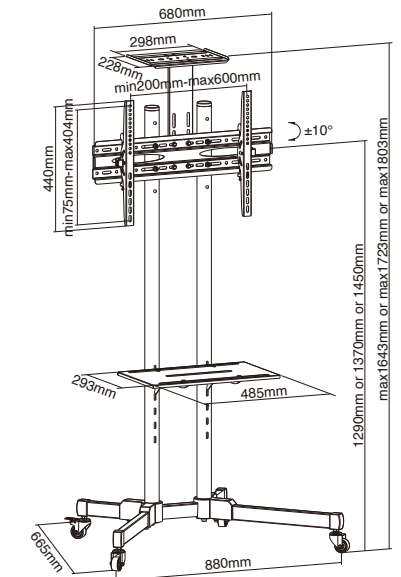


1290/1370/1450mm
(50.8"/53.9"/57.1")
Three Height Settings

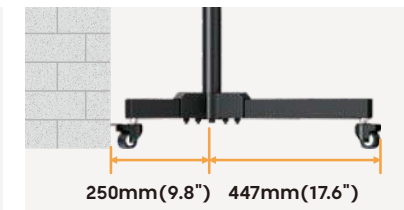
T1028T with Telescopic Pole



T1028B with Straight Pole



Easy-Grip Knobs
for quick toolless tilt



Low-Profile Rear Feet
help to place the cart close to the wall

Item No.	T1028T	T1028B
Screen Size	37"-70"	37"-70"
Max. VESA	600x400	600x400
TV Weight Capacity	50kg/110lbs	50kg/110lbs
Shelf Weight Capacity	10kg/22lbs	10kg/22lbs
Strength Tested	4 Times Approved	4 Times Approved
Tilt Range	+10° ~ -10°	+10° ~ -10°

TTV13-46TW

Stylish Mobile Stand for Interactive Displays

Compatible with **Microsoft Hub 2S** (350x350 VESA), **Samsung Flip Digital Flipchart Smart Boards** and most 37"-55" Whiteboards/TVs.



STYLISH MOBILE STAND FOR INTERACTIVE DISPLAYS

TTV13-46TW

Portrait or Landscape Orientation
ideal for TV viewing and presentation use

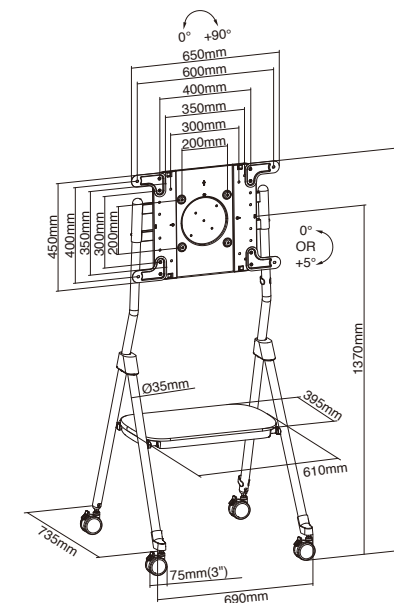


Cable Management
keeps everything organized

5° Tilt Angle
creates better interacting experience when drawing or writing on the display

Steeper Front Legs Design
offers more space for moving and protects users from stumbling

3" Heavy-Duty Lockable Casters
provide solid yet rollable footing

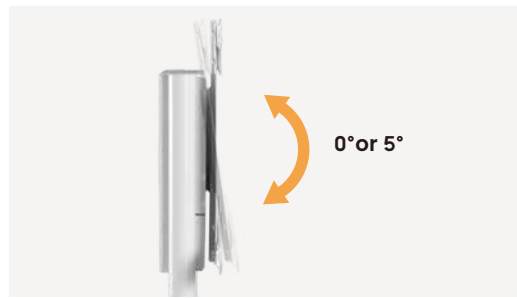


Colors:

Item No.	TTV13-46TW
Fit Screen Size	37"-55"
Max. VESA	600X400
TV Weight Capacity	50kg/110lbs
Shelf Weight Capacity	20kg/44lbs
Strength Tested	4 Times Approved
Tilt Range	0° or 5°
Screen Rotation	0°~+90°

MOBILE STAND FOR INTERACTIVE DISPLAYS

TTV11-46TW

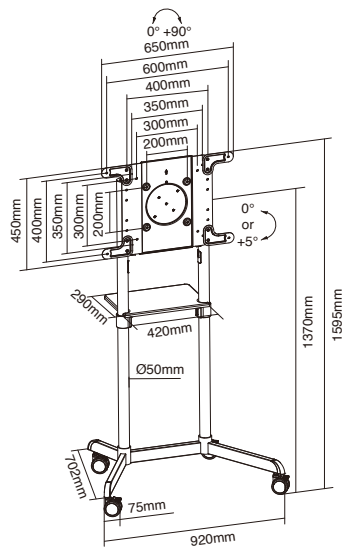


5° Tilt Angle
provides an ergonomic writing position



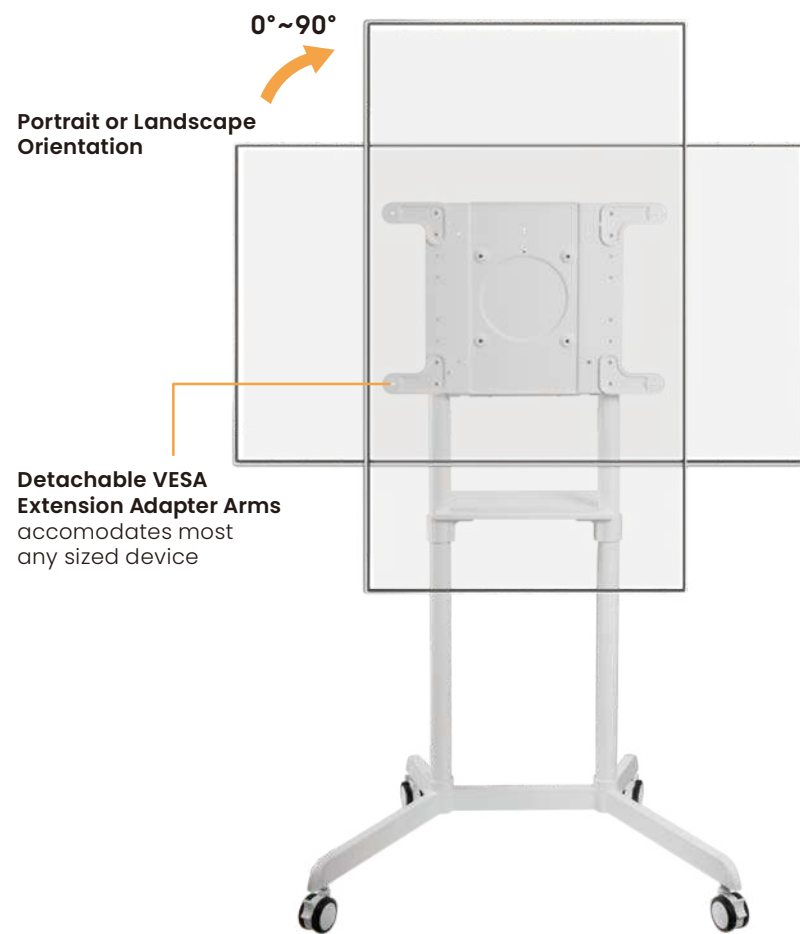
Power Strip Storage Space

TTV11-46TW



Colors:

Item No.	TTV11-46TW
Screen Size	37" -70"
Max. VESA	600x400
TV Weight Capacity	70kg/154lbs
Shelf Weight Capacity	5kg/11lbs
Strength Tested	4 Times Approved
Tilt Range	0° or 5°
Screen Rotation	0° ~ +90°

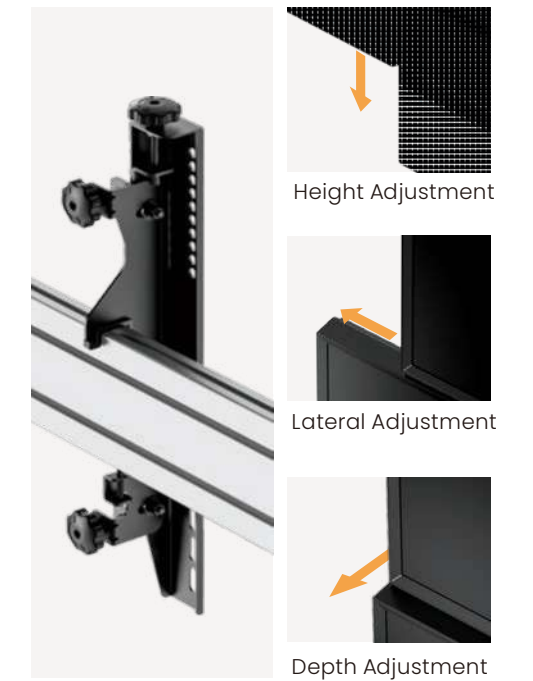


TELESCOPIC HEIGHT-ADJUSTABLE ALUMINUM TV CARTS

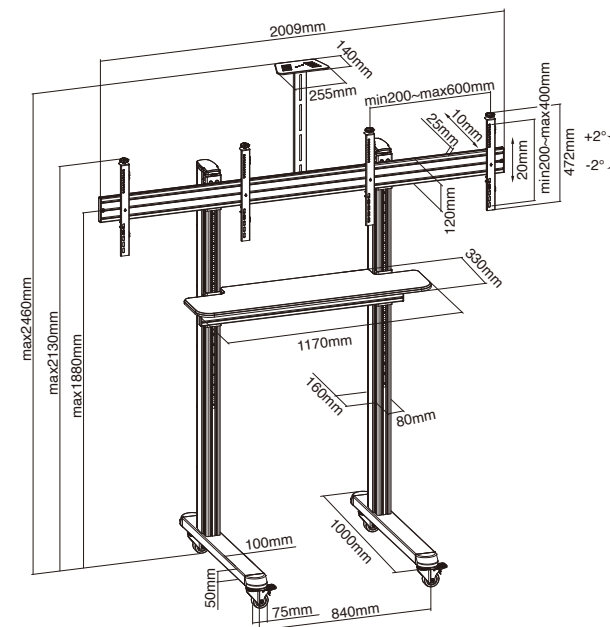
TT09-46FW



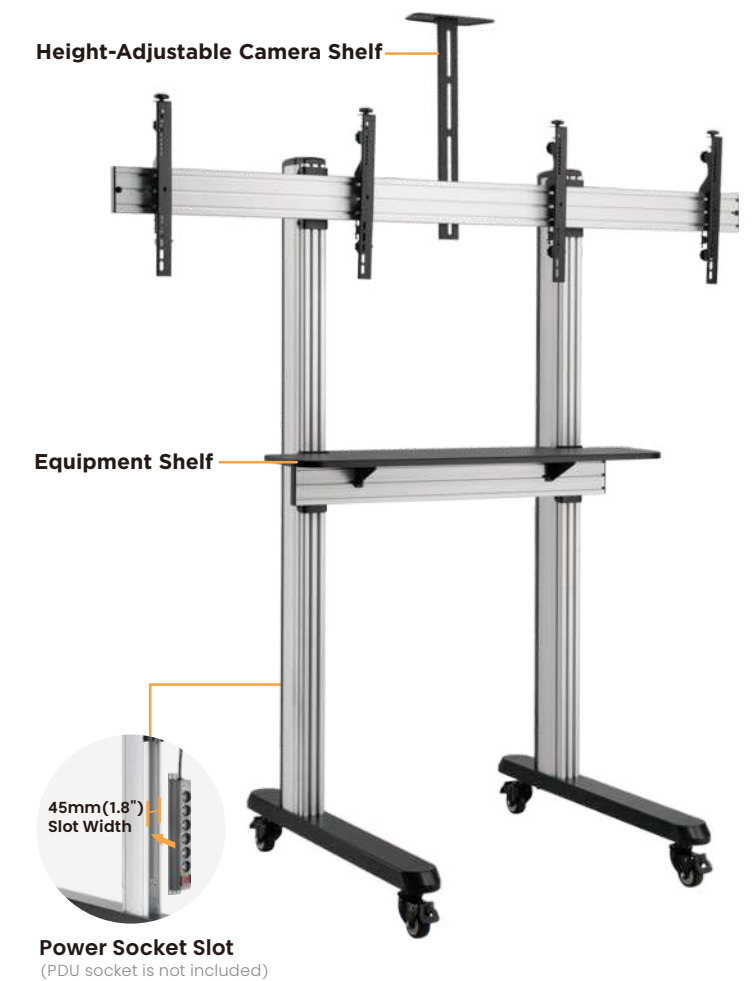
Tool-Free Display Alignment
for seamless digital signage



TTD09-46FW



Item No.	TTD09-46FW
Screen Size Max. VESA	45" -55"
TV Weight Capacity (per screen)	600x400 50kg/
Shelf Weight Capacity	110lbs 5kg/11lbs
Strength Tested	4 Times Approved
Tilt Range	+2° ~ -2°



Holds up to **120"** Displays
Weighing **150kg/330lbs!**

5mm/0.2" Level Adjustment
ensures perfect positioning



Anti-Theft Design
perfect for public areas
(padlock required)

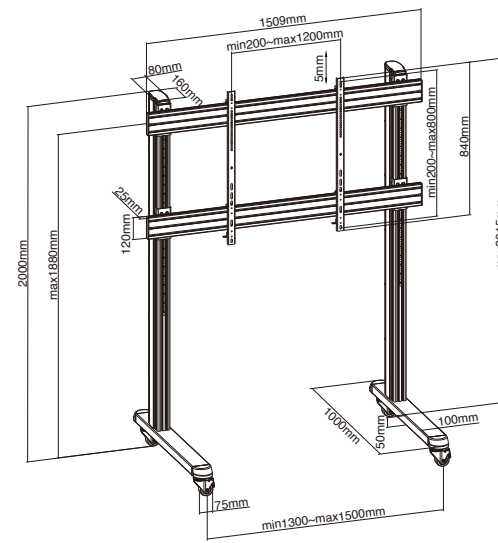


Integrated Cable Management
keeps everything organized



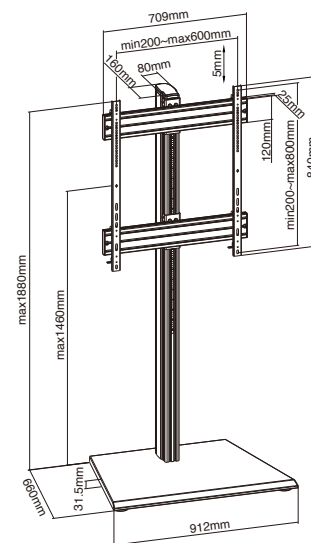
Additional Power Socket Slot
(PDU socket is not included)

TTL09-812FW Landscape Display Cart



Item No.	TTL09-812FW
Screen Size	70"-120"
Max. VESA	1200x800
Weight Capacity	150kg/330lbs
Strength Tested	4 Times Approved

TTL09-86FP Portrait Display Stand



Item No.	TTL09-86FP
Screen Size	60"-100"
Max. VESA	600x800
Weight Capacity	150kg/330lbs
Strength Tested	4 Times Approved

Additional Camera Shelf (LVS02-CM01)
can be attached to the cart for video conferencing



Rear Back Panel
hides hardware for a clean
and organized look

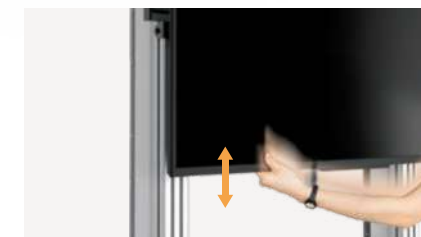
**Smooth Height
Adjustment**

400mm
(15.7")

Additional Power Socket Slot
(PDU socket is not included)



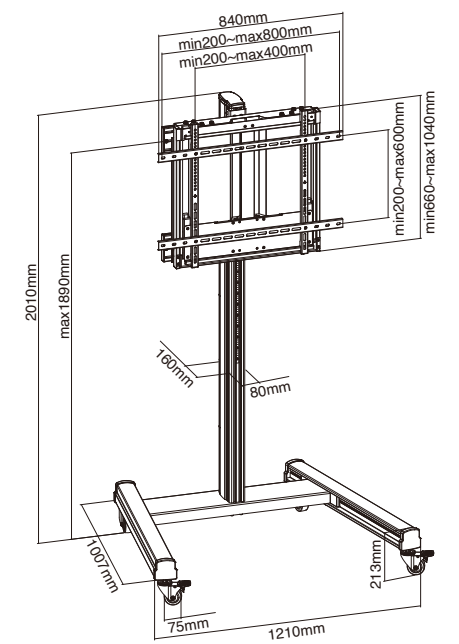
Weight Balance Design
accommodates various display weights



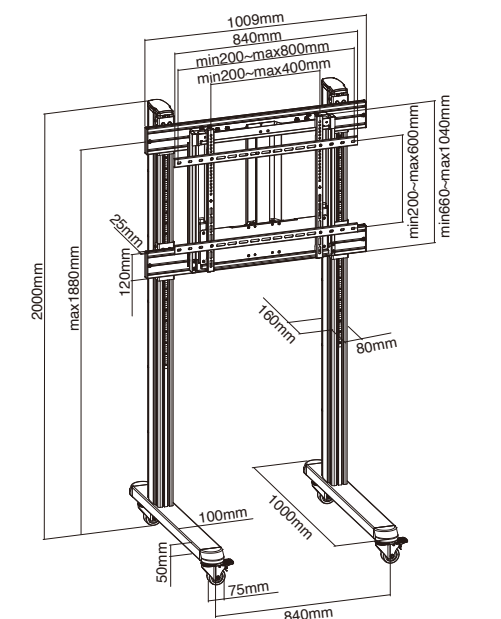
Spring Counter Balance
adjusts with the lightest touch

Item No.	TTF09H-60FW	TTF09H-90FW
Screen Size	50"-70"	70"-90"
Max. VESA	800x600	800x600
TV Weight Capacity	40-60kg/88lbs-132lbs	60-90kg/132lbs-198lbs
Strength Tested	4 Times Approved	4 Times Approved
Height Range	400mm (15.7")	400mm (15.7")

TTF09H-60FW



TTF09H-90FW



HAW400 Series

Height-Adjustable Wall Mounts for Interactive Displays

For Various Applications



School Office Healthcare Trade Show

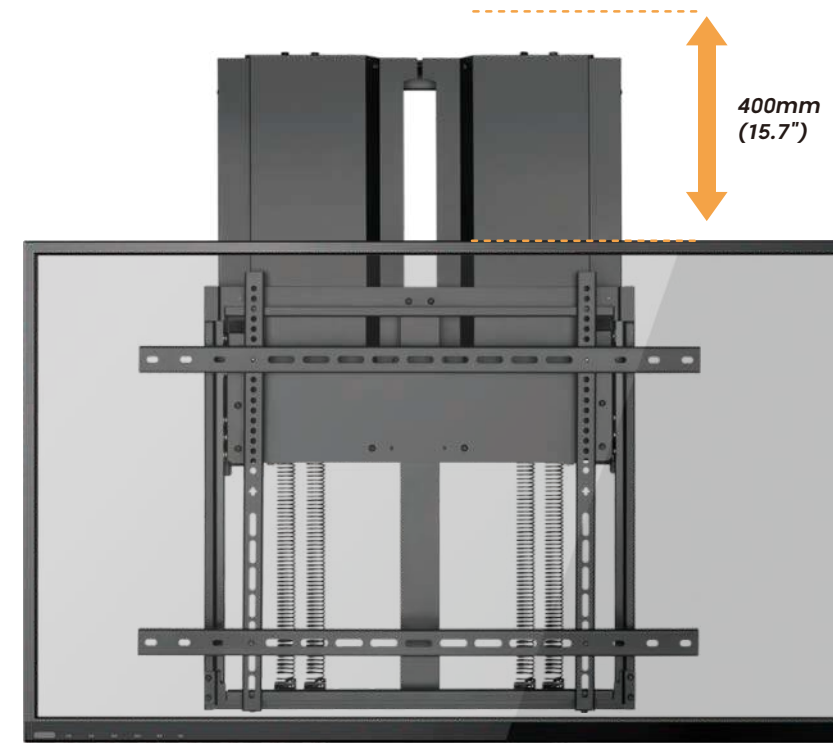
Any Position
Only A Touch



HEIGHT-ADJUSTABLE WALL MOUNTS FOR INTERACTIVE DISPLAYS

HAW400 SERIES

Smooth Height Adjustment
allows for any desired display position

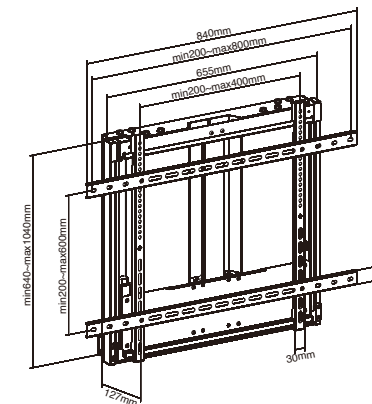


Weight Balance Design
easily accommodates the different weights of whiteboards and other displays

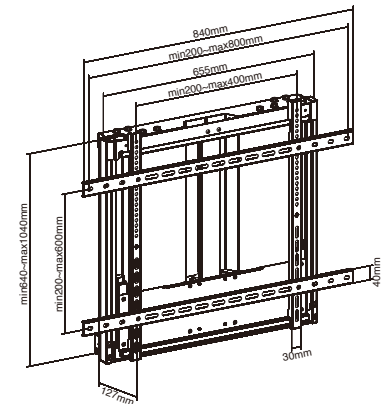


Keyhole Pattern
for easy and quick installation

HAW400-70



HAW400-90



Item No.	HAW400-70	HAW400-90
Screen Size	50"-70"	70"-90"
Max. VESA	800x600	800x600
Weight Capacity	40-60kg/88-132lbs	60-90kg/132-198lbs
Strength Tested	4 Times Approved	4 Times Approved
Profile	127mm (5")	127mm (5")
Height Range	400mm (15.7")	400mm (15.7")