

# signatrol

BS EN 12830:2018



FOOD & BEVERAGE



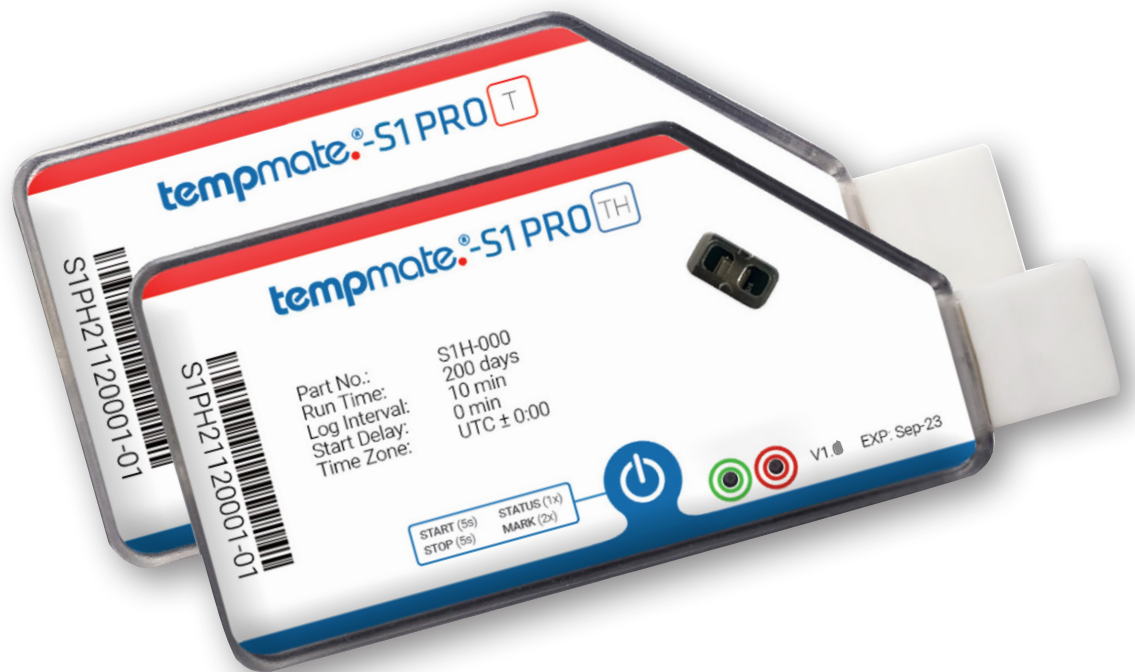
PHARMACEUTICAL



PROCESS MONITORING



LOGISTICS & TRANSPORT



## Tempmate-S1 PRO

**USB TEMPERATURE AND/OR HUMIDITY DATA LOGGER WITH PDF & CSV**

Using the very latest design in digital sensor technology, the new generation tempmate-S1 PRO USB temperature and/or humidity data logger has an integrated USB port and PDF & CSV generating software on-board. No additional software or hardware is required to read or download the recorded temperature data and can now be configured by the user. The tempmate-S1 PRO data logger has an increased accuracy of  $\pm 0.3^{\circ}\text{C}$  and comes with a 6-point calibration validation certificate.

[info@signatrol.com](mailto:info@signatrol.com) • 01684 299 399 • [signatrol.com](http://signatrol.com)

## SINGLE USE TEMPERATURE DATA LOGGER

▶ NEW DIGITAL SENSOR DESIGN REPLACING PREVIOUS ANALOGUE TECHNOLOGY

▶ SIGNIFICANTLY IMPROVED ACCURACY OF  $\pm 0.3^{\circ}\text{C}$

▶ COMPLIANT TO BS EN12830:2018

▶ SINGLE USE - LASTS FOR OVER 200 DAYS ONCE STARTED USING STANDARD 10 MIN LOG INTERVAL

▶ DOWNLOADABLE PDF 6 POINT CALIBRATION VALIDATION CERTIFICATE AVAILABLE ELECTRONICALLY ON EACH DEVICE

▶ SELECT FROM 6 ALARM (HIGH & LOW) CONFIGURATIONS

▶ PASSWORD PROTECTION OPTION AVAILABLE

▶ FAST DELIVERIES FOR CUSTOM CONFIGURATION

▶ UPLOAD YOUR DATA TO THE tempmate-cloud FOR REMOTE ACCESS TO YOUR DATA FROM ANYWHERE IN THE WORLD

▶ USB TEMPERATURE DATA LOGGER

▶ PDF/CSV OUTPUT  
- NO SOFTWARE REQUIRED

▶  $-30^{\circ}\text{C}$  TO  $+70^{\circ}\text{C}$   
OPERATING RANGE

▶ MADE FROM RECYCLED PLASTICS

**Tempmate-S1 PRO loggers are specially designed for temperature monitoring in, but not limited to, cold chain logistic applications.**

As a pre-programmed device, the tempmate-S1 PRO temperature data logger can be instantly used to monitor your temperature sensitive consignments, simply press the start button for 5 seconds and you are recording temperature.

Users can specify their own custom settings;

- Select from 6 alarm HI and LOW configurations
- Logger can be started on alarm
- Programmable start delay
- Logging interval is fully programmable (up to 31,200 readings or 220 days whichever is the soonest)
- Pre-configured password protection is available

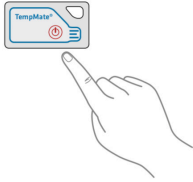
Hi or Low temperature alarms and current operational status of the data logger is confirmed by the use of red & green flashing LED indicators.

The automatically created PDF & CSV report, contains detailed temperature information and displays the data as both a graph and/or in tabular formats. The tempmate-S1 PRO now also comes with the option of uploading the logged temperature data directly to your tempmate-cloud account. By doing so, anyone with access to your tempmate-cloud account can review the data remotely from anywhere in the world.

The tempmate-S1 PRO is exempt from IATAs Dangerous Goods Regulations and is therefore, a perfect solution for use in any air freight logistics.

# SINGLE USE TEMPERATURE DATA LOGGER

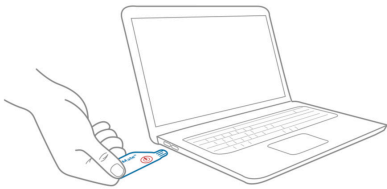
## EASY HANDLING



1 Preconfigured and ready to use



2 Add started tempmate-S1 PRO to your Shipment



3 Connect stopped Logger directly to USB Port

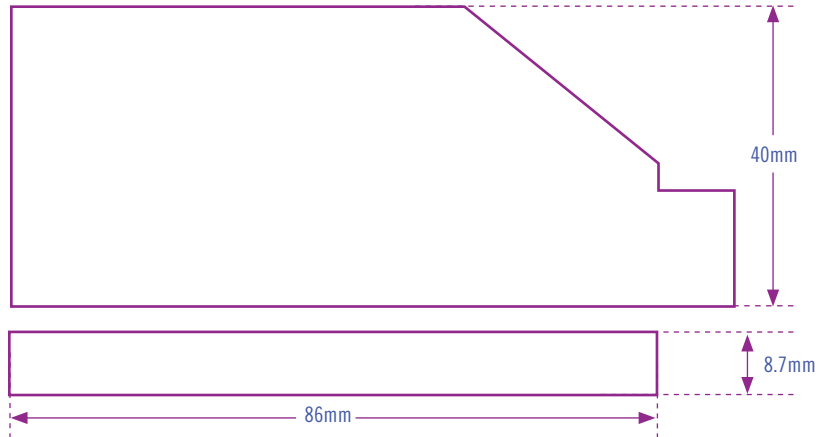


4 Automated PDF & CSV Report with all Details


### YOUR BENEFITS AT A GLANCE

- Cost-Effective and Reliable
- High Precision Digital Sensor
- Smart Design, Intuitive Operation
- Waterproof and Food Grade Packing
- No Additional Hardware or Software Required
- Detailed PDF and CSV Report Including Graph and Table
- Intelligent LEDs for Status Monitoring
- Extended Shelf-Life of 2 Years
- Reprogrammable (on request)

ACTUAL SIZE



# TECHNICAL SPECIFICATIONS: Tempmate-S1 PRO

<b>SPECIFICATIONS</b>	tempmate-S1 PRO 
<b>RECORDING OPTIONS</b>	Single-Use
<b>DIMENSION [MM]</b>	86 x 40 x 8.7mm
<b>WEIGHT [G]</b>	15.2g
<b>CASING</b>	Hardcase with removable cap
<b>BATTERY</b>	CR2450 lithium metal button cell battery
<b>CONNECTION INTERFACE</b>	USB 2.0, A-Type (integrated)
<b>PROTECTION CLASS</b>	IP66
<b>SHELF LIFE</b>	24 months
<b>TEMPERATURE RANGE</b>	-30 °C to 70 °C
<b>TEMPERATURE ACCURACY</b>	±0.3°C (-30 to 70°C)
<b>TEMPERATURE RESOLUTION</b>	0.1 °C
<b>HUMIDITY RANGE</b>	Available with the tempmate.®-S1 PRO TH
<b>HUMIDITY ACCURACY</b>	Available with the tempmate.®-S1 PRO TH
<b>HUMIDITY RESOLUTION</b>	Available with the tempmate.®-S1 PRO TH
<b>MEMORY CAPACITY (MEASUREMENTS)</b>	32,000 values (T)
<b>RUN TIME (LOGGING INTERVAL)</b>	Up to 200 days (10 min.) = Standard Model, Other models only on request
<b>DATA EXPORT</b>	PDF & CSV
<b>ALARM CONFIGURATION</b>	Up to 6 points temperature, customizable
<b>STARTUP MODE</b>	Button (optional preprogrammed scheduled start)
<b>STOP MODE</b>	Button (optional preprogrammed scheduled stop)
<b>SOFTWARE</b>	PDF or CSV reader
<b>REPROGRAMMABLE</b>	Inbuilt offline configurator tool
<b>VALIDATION CERTIFICATE</b>	Available as PDF on memory of the device
<b>CONFORMITY</b>	CE, EN12830, RoHS, FCC, RTC DO-160
<b>LOG INTERVAL</b>	User defined: 1 min. to 60 min. (10 min. as standard setting preconfigured)
<b>MARK READINGS</b>	Option to mark up to 10 readings
<b>CONNECTIVITY</b>	Through USB port
<b>ALARM TYPE</b>	Single / Cumulative
<b>STORAGE TEMPERATURE</b>	Room Temperature Suggested
<b>CASE MATERIAL</b>	Food Grade Plastic (Polycarbonate)
<b>PACKAGING</b>	Hardcase with removable cap

# TECHNICAL SPECIFICATIONS: Tempmate-S1 PRO TH

<b>SPECIFICATIONS</b>	tempmate-S1 PRO <span style="border: 1px solid black; border-radius: 50%; padding: 2px;">TH</span>
<b>RECORDING OPTIONS</b>	Single-Use
<b>DIMENSION [MM]</b>	86 x 40 x 8.7mm
<b>WEIGHT [G]</b>	15.2g
<b>CASING</b>	Hardcase with removable cap
<b>BATTERY</b>	CR2450 lithium metal button cell battery
<b>CONNECTION INTERFACE</b>	USB 2.0, A-Type (integrated)
<b>PROTECTION CLASS</b>	IP64
<b>SHELF LIFE</b>	24 months
<b>TEMPERATURE RANGE</b>	-30 °C to 70 °C
<b>TEMPERATURE ACCURACY</b>	±0.3°C (-30 to 70°C)
<b>TEMPERATURE RESOLUTION</b>	0.1 °C
<b>HUMIDITY RANGE</b>	0 - 100 %rH
<b>HUMIDITY ACCURACY</b>	±3%rH (0 to 100%rH)
<b>HUMIDITY RESOLUTION</b>	0.1 %rH
<b>MEMORY CAPACITY (MEASUREMENTS)</b>	32,000 values (each <b>T</b> and <b>TH</b> )
<b>RUN TIME (LOGGING INTERVAL)</b>	Up to 200 days (10 min.) = Standard Model, Other models only on request
<b>DATA EXPORT</b>	PDF & CSV
<b>ALARM CONFIGURATION</b>	Up to 6 points temperature and 6 points humidity, customisable
<b>STARTUP MODE</b>	Button (optional preprogrammed scheduled start)
<b>STOP MODE</b>	Button (optional preprogrammed scheduled stop)
<b>SOFTWARE</b>	PDF or CSV reader
<b>REPROGRAMMABLE</b>	Inbuilt offline configurator tool
<b>VALIDATION CERTIFICATE</b>	Available as PDF on memory of the device
<b>CONFORMITY</b>	CE, EN12830, RoHS, FCC, RTC DO-160
<b>LOG INTERVAL</b>	User defined: 1 min. to 60 min. (10 min. as standard setting preconfigured)
<b>MARK READINGS</b>	Option to mark up to 10 readings
<b>CONNECTIVITY</b>	Through USB port
<b>ALARM TYPE</b>	Single / Cumulative
<b>STORAGE TEMPERATURE</b>	Room Temperature Suggested
<b>CASE MATERIAL</b>	Food Grade Plastic (Polycarbonate)
<b>PACKAGING</b>	Hardcase with removable cap

## ORDER CODES: Tempmate-S1 PRO T

TEMPMATE-S1 PRO <span style="border: 1px solid black; padding: 0 2px;">T</span>	Single use USB temperature data logger with internal sensor and PDF & CSV output.
TEMPMATE-S1 PRO <span style="border: 1px solid black; padding: 0 2px;">T</span> PK5	Pack of 5pcs Tempmate-S1 PRO data loggers
TEMPMATE-S1 PRO <span style="border: 1px solid black; padding: 0 2px;">T</span> PK10	Pack of 10pcs Tempmate-S1 PRO data loggers
TEMPMATE-S1 PRO <span style="border: 1px solid black; padding: 0 2px;">T</span> PK20	Pack of 20pcs Tempmate-S1 PRO data loggers
TEMPMATE-S1 PRO <span style="border: 1px solid black; padding: 0 2px;">T</span> PK60	Pack of 60pcs Tempmate-S1 PRO data loggers
TEMPMATE-S1 PRO <span style="border: 1px solid black; padding: 0 2px;">T</span> PK100	Pack of 100pcs Tempmate-S1 PRO data loggers

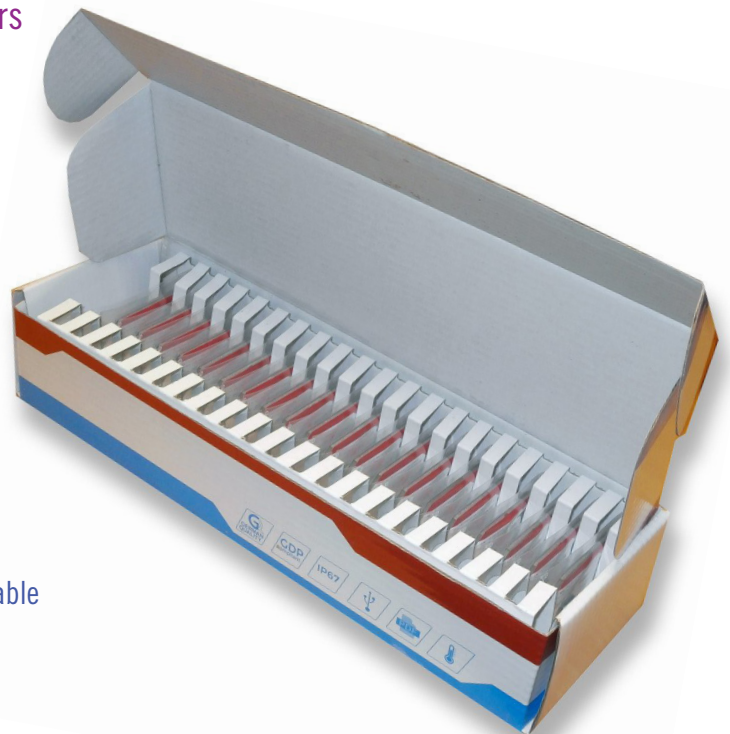
## ORDER CODES: Tempmate-S1 PRO TH

TEMPMATE-S1 PRO <span style="border: 1px solid black; padding: 0 2px;">TH</span>	Single use USB temperature data logger with internal sensor and PDF & CSV output.
TEMPMATE-S1 PRO <span style="border: 1px solid black; padding: 0 2px;">TH</span> PK5	Pack of 5pcs Tempmate-S1 PRO data loggers
TEMPMATE-S1 PRO <span style="border: 1px solid black; padding: 0 2px;">TH</span> PK10	Pack of 10pcs Tempmate-S1 PRO data loggers
TEMPMATE-S1 PRO <span style="border: 1px solid black; padding: 0 2px;">TH</span> PK20	Pack of 20pcs Tempmate-S1 PRO data loggers
TEMPMATE-S1 PRO <span style="border: 1px solid black; padding: 0 2px;">TH</span> PK60	Pack of 60pcs Tempmate-S1 PRO data loggers
TEMPMATE-S1 PRO <span style="border: 1px solid black; padding: 0 2px;">TH</span> PK100	Pack of 100pcs Tempmate-S1 PRO data loggers

### Tempmate Single Use Temperature Data Loggers

Small, light, waterproof and in a food safe wrapper, the tempmate single use data logger is ideal for monitoring the temperature of shipments in transit. Recordings are started by pressing the start button. The data logger is then placed inside the carton and despatched. At the receiving end, the data logger is taken from the package and removed from the protective wrapper. It is placed into the USB slot on a computer and the PDF file is available as if it was on a memory stick. No interface cables or software are required. Compatible with EN 12830:2018.

Tempmate single use temperature data loggers are available individually or in packs of 5, 10, 20, 60 and 100pcs.



*Every effort has been taken to ensure the accuracy of this specification, however we do not accept responsibility for damage, injury, loss or expense resulting from errors and omissions, and we reserve the right of amendment without notice.*

[info@signatrol.com](mailto:info@signatrol.com) • 01684 299 399 • [signatrol.com](http://signatrol.com)