

Hunter
SINCE 1886


PRESTIGE
FANS



Antique Brass



Bright Brass



White



Brushed Nickel



New Bronze



3 Light Flush Kit™

Hunter 3 light flush fan light kit is fitted with glass shades, and a Hunter pull chain to suit most Hunter ceiling fans. Suitable for 3 x E27 base compact globes, in either energy saving compact fluorescent, or energy saving halogen globe options. *(Globes not included)*

24310: 3 Light Flush Mount Antique Brass with Clear Glass

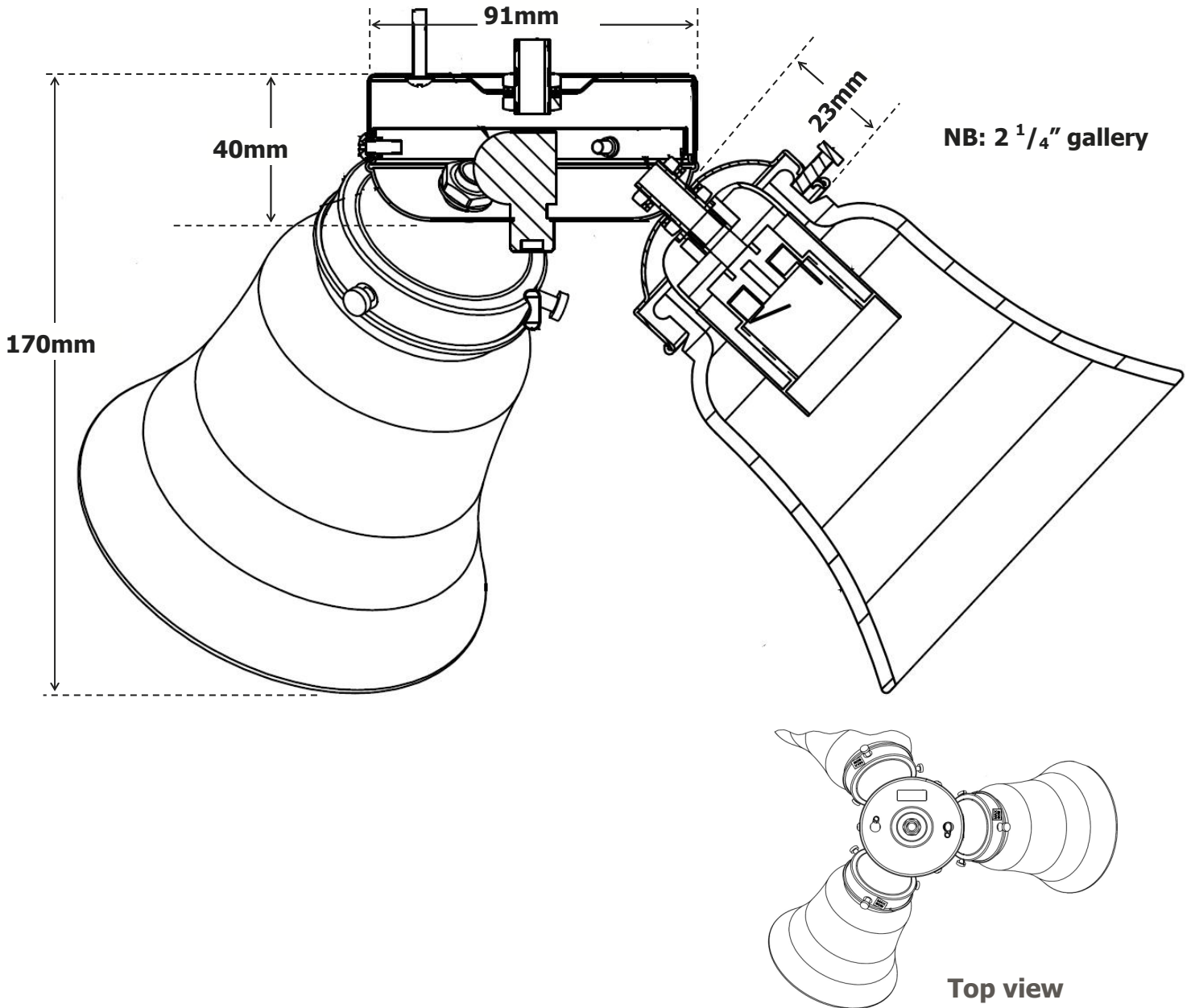
24312: 3 Light Flush Mount Bright Brass with Clear Glass

24316: 3 Light Flush Mount White with Frosted Glass

24318: 3 Light Flush Mount Brushed Nickel with Frosted Glass

24319: 3 Light Flush Mount New Bronze with Frosted Glass

3 Light Flush Kit™



When fitted to a Hunter ceiling fan, this light kit will add 170mm to the overall height dimensions of the ceiling fan.

The Hunter 3 Light Flush Kit can be connected easily to a Hunter ceiling fan, as the light has a plug connector which simply clips into the connector on the ceiling fan. This enables the light to be a DIY installation, if the fan is already installed.



This fan light connects to the ceiling fan using the two keyhole slots on top of the light, which connect to corresponding screw holes in the ceiling fan, ensuring a solid connection designed to minimise wobble of the light kit. NB: The threaded rod merely acts as a cable carrier.