

## VW Transporter Adaptor Kit – CEV5118

CEV5049



### Overview

All adapters retain use of original clutch and fit most NetGain Hyper9, WARP 9 and HPEV AC34/AC35/AC50/AC51 Motors. Some adapter plates may have more or less bolt holes than your make and model of vehicle requires. As some adapters span a broad range of model years the adapter is designed to have enough bolt holes to be compatible with all model designs.

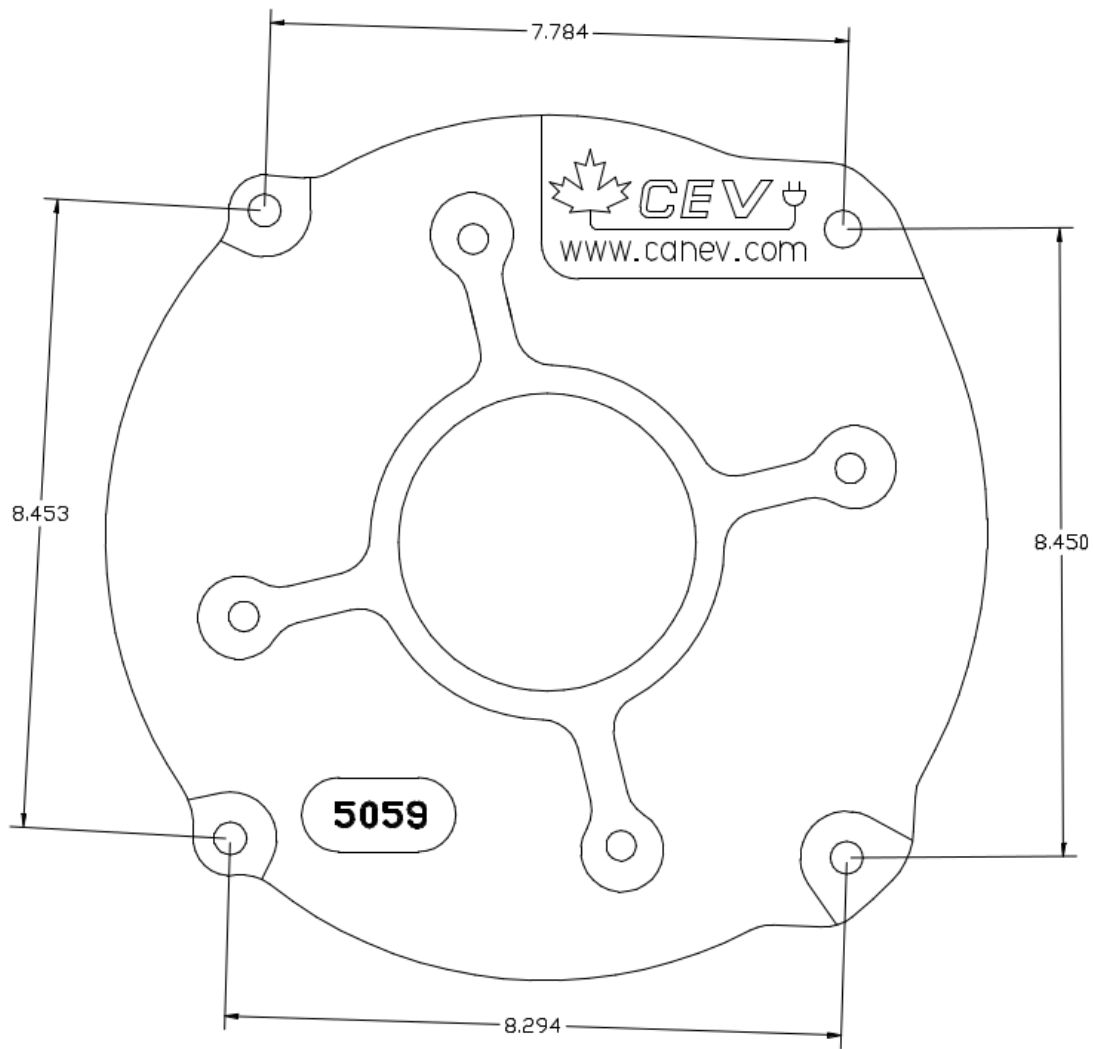
#### Specifications

- All adaptor kits come with required hardware
- If using the HyPer9 motor, you may also need a shaft collar spacer.

#### Fits:

- VW Water Cooled Vans with 5 bolt flywheels

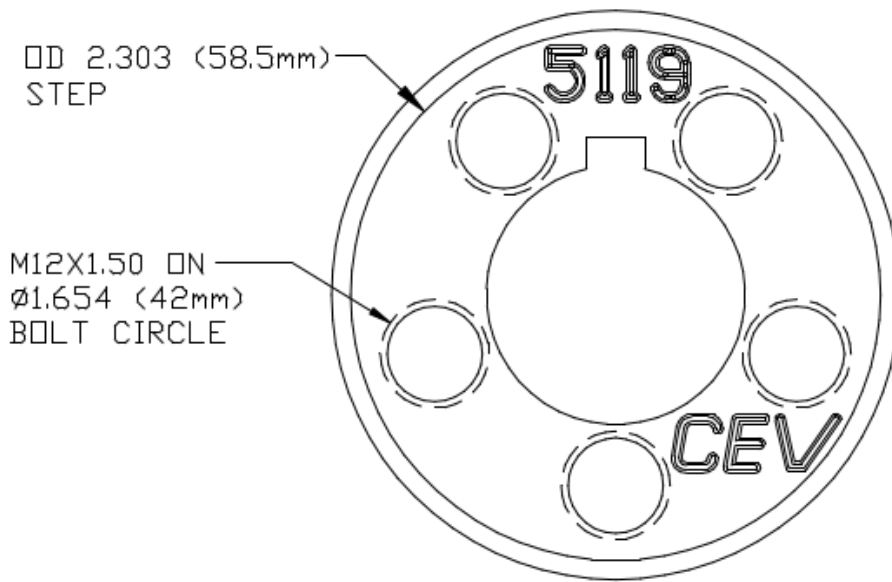
# Dimensions – VW Transporter Adaptor Kit – CEV5118



VIEW LOOKING  
TOWARDS TRANSMISSION  
FROM MOTOR

IDENTIFICATION DIAGRAM
ENGINE: VW AIR COOLED
DATE DWN: 8NOV2011

# Dimensions – VW Transporter Adaptor Kit – CEV5118 (cont.)



VIEW LOOKING  
TOWARDS MOTOR

HUB IDENTIFICATION DIAGRAM
ENGINE: PORSCHE 911,914
DATE DWN: 29JUL2012