

Porsche 911 Adaptor Kit – CEV5118



Overview

All adapters retain use of original clutch and fit most NetGain Hyper9, WARP 9 and HPEV AC34/AC35/AC50/AC51 Motors. Some adapter plates may have more or less bolt holes than your make and model of vehicle requires. As some adapters span a broad range of model years the adapter is designed to have enough bolt holes to be compatible with all model designs.

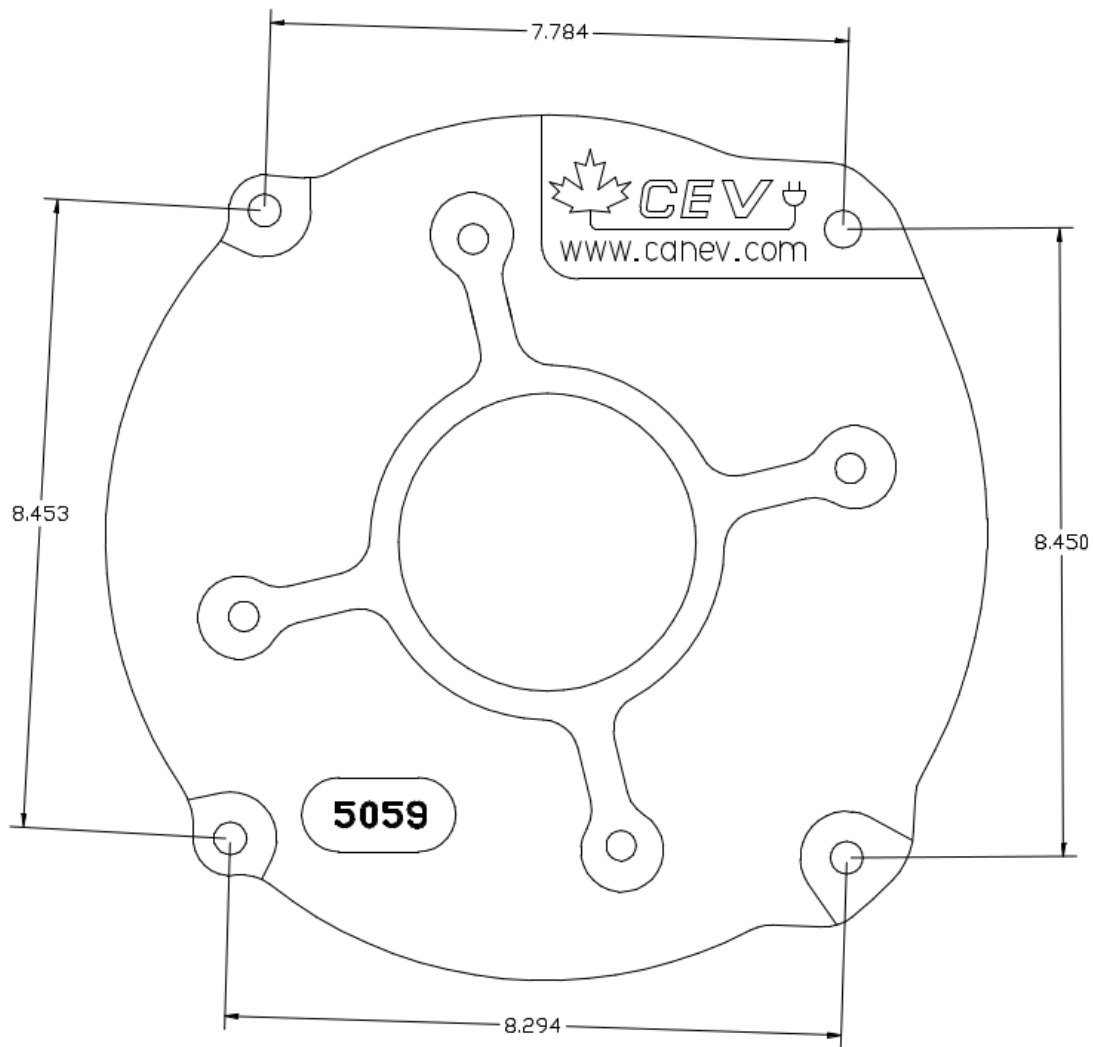
Specifications

- All adaptor kits come with required hardware
- If using the HyPer9 motor, you may also need a shaft collar spacer.

Fits:

- Porsche 911

Dimensions – Porsche 911 Adaptor Kit – CEV5118



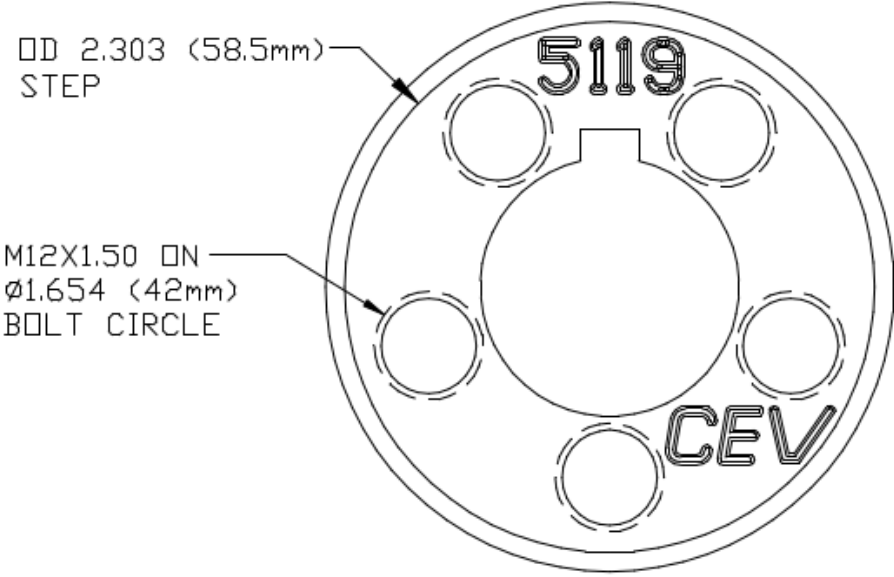
VIEW LOOKING
TOWARDS TRANSMISSION
FROM MOTOR

IDENTIFICATION DIAGRAM

ENGINE: VW AIR COOLED

DATE DWN: 8NOV2011

Dimensions – Porsche 911 Adaptor Kit – CEV5118 (cont.)



VIEW LOOKING
TOWARDS MOTOR

HUB IDENTIFICATION DIAGRAM
ENGINE: PORSCHE 911,914
DATE DWN: 29JUL2012