



## 3.3KW Can Bus Charger HK-MF-48-40-A 48 Volt



### Overview

The **HK-MF-48-40-A** 3.3KW CAN Bus 48 Volt Charger features a small form factor and high efficiency. Built in features include both Output over-voltage and over-current protection.

Other features include reverse polarity protection as well as under-voltage and under-current protection. The unit is fully sealed and waterproof, making it suitable for most environments. Manufactured in China by TC Chargers.

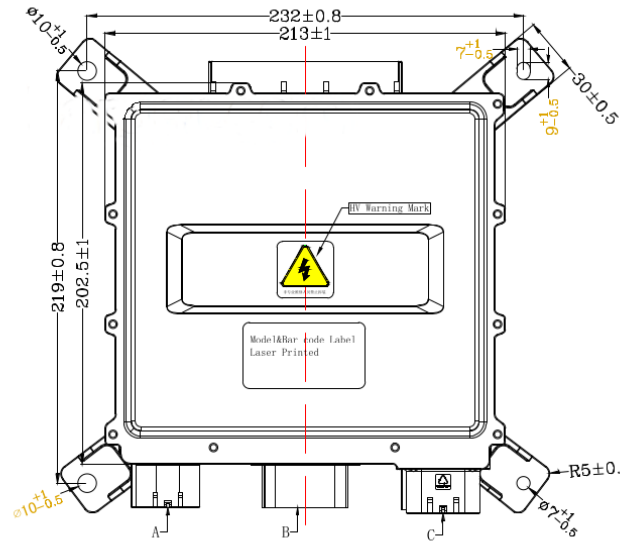
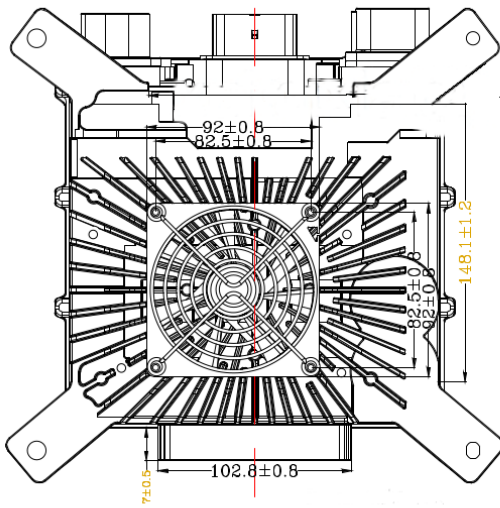
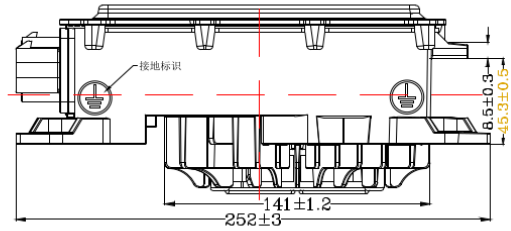
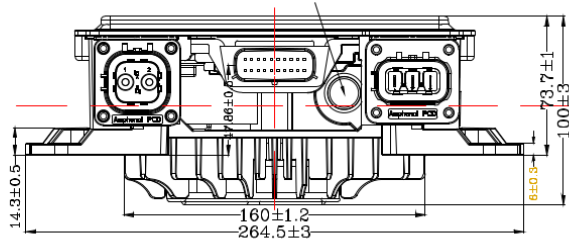
### Specifications

<b>AC Input Voltage Range:</b>	AC 90V ~ 264V
<b>DC Output Voltage Range:</b>	
<b>AC Input Frequency:</b>	45Hz ~ 65Hz
<b>Full Loading Efficiency:</b>	≥93%
<b>Shock &amp; Vibration:</b>	QC/T 895-2011
<b>Operating Temperature:</b>	-40C ~ 85C
<b>Charging Control:</b>	CAN BUS
<b>Cooling Method:</b>	Electric Fan

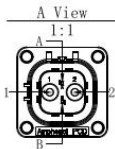
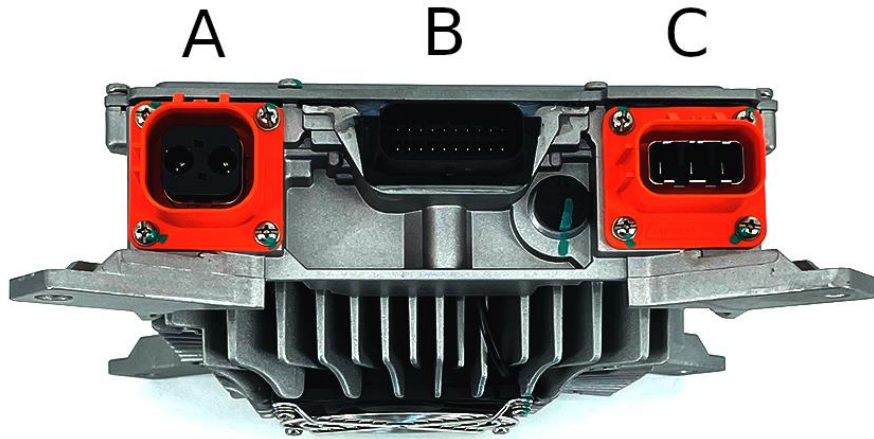
### Protection Features

<b>Output Over-voltage:</b>	Stops the output when the output voltage exceeds + 1% of max output voltage
<b>Output Over-current:</b>	Stops the output when the output current exceeds + 1% of max output current
<b>Short Circuit Protection:</b>	Unit will automatically stop output if short detected
<b>Reverse Polarity:</b>	Charger will not operate if polarity is reversed
<b>Input Under-voltage:</b>	If AC input is lower than 85V unit will shut down
<b>Input Over-voltage:</b>	If AC input is greater than 265V the charger will shut down
<b>Thermal Self Protection:</b>	The charging current reduces automatically if internal temp exceeds 85C

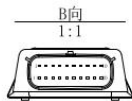
# Physical Dimensions – HK-MF-48-40-A Charger



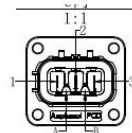
# Pin Connectors - HK-MF-48-40-A Charger



A



B



C

HVSI.362022A (SP018022A) 08C Output Terminal  
Crimping (Big) :C3100235011 (SP01N45001P)  
Crimping (Small) :C310003614 (SP01N12001S)

Brand	Pin	Definition	Wiring Color /Diameter (mm <sup>2</sup> )
Ampheonol	1	Positive	Red/8AWG
	2	Negative	Black/8AWG
	A	HVIL Signal 1	Grey/0.5mm <sup>2</sup>
	B	HVIL Signal 2	Brown/0.5mm <sup>2</sup>

C向

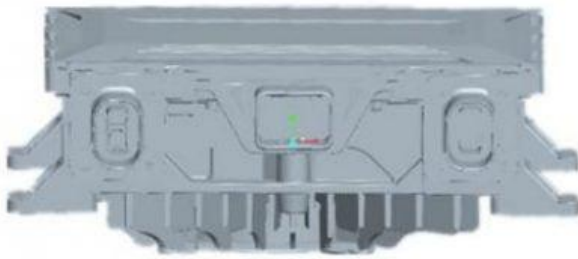
348302001 Signal Terminal

Brand	Pin	Definition	Color/Wiring Diameter (mm <sup>2</sup> )
Molex	10	12V5A Output +	/
	11	CANH	
	12	CANL	
	13	HVIL 1	
	14	HVIL 2	
	17	GND	
Others	NC		

HVSI.633023A (SP01A023A) 08C Input Terminal  
Crimping (Big) :C310003622 (SP01N63001P)  
Crimping (Small) :C310003614 (SP01N12001S)

Brand	Pin	Definition	Wiring Color /Diameter (mm <sup>2</sup> )
Ampheonol	1	Null Line (N)	Black/4
	2	Earth Line (PE)	Yellow Green/4
	3	Live Line (L)	RED/4
	A	HVIL Signal 1	Grey/0.5
B	HVIL Signal 2	Brown/0.5	

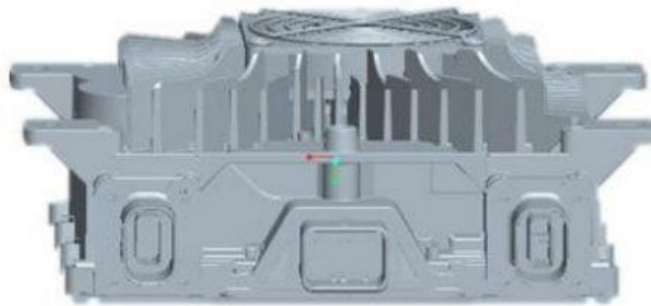
# Installation Requirements – HK-MF-48-40-A Charger



**Best installation method**



**General installation method**



**Prohibited installation method**

Prohibited installation method is due to the risk of water entering the hole where the fan wire passes into the case.