



6.6KW Can Bus Charger HK-LF-540-12 540 Volt



Overview

The **HK-LF-540-12** 6.6KW CAN Bus 512 Volt Charger features a small form factor and high efficiency. Built in features include both Output over-voltage and over-current protection.

Other features include reverse polarity protection as well as under-voltage and under-current protection. The unit is fully sealed and waterproof, making it suitable for most environments. Manufactured in China by TC Chargers.

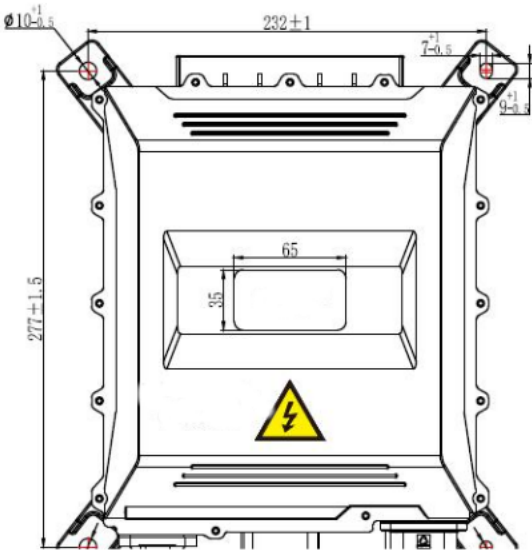
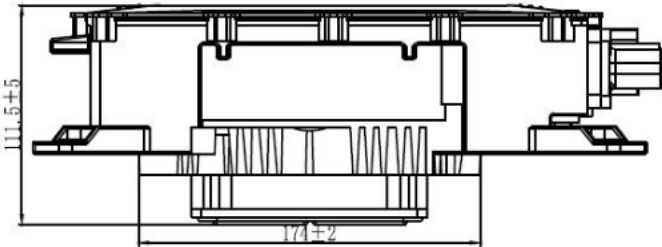
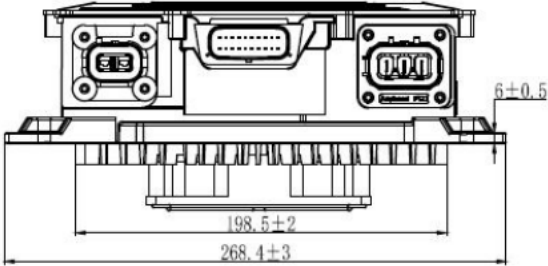
Specifications

AC Input Voltage Range:	AC 90V ~ 264V
AC Input Frequency:	45Hz ~ 65Hz
Full Loading Efficiency:	≥93%
Shock & Vibration:	QC/T 895-2011
Operating Temperature:	-40C ~ 85C
Charging Control:	CAN BUS or Enable
Cooling Method:	Electric Fan

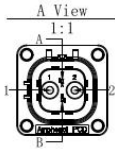
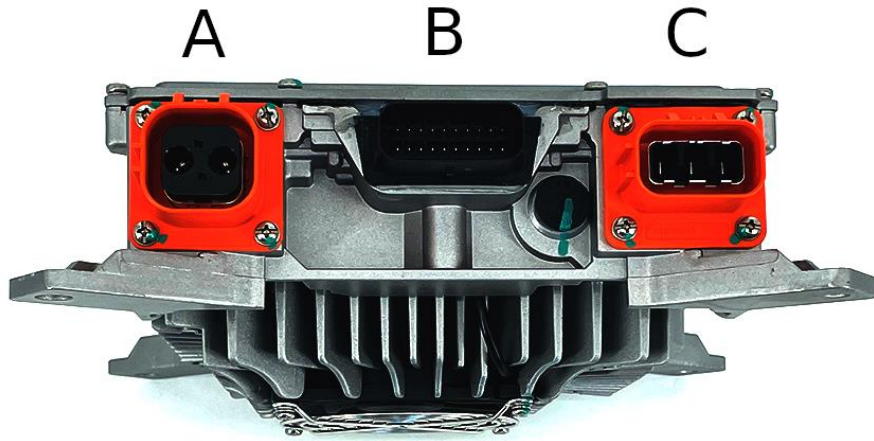
Protection Features

Output Over-voltage:	Stops the output when the output voltage exceeds + 2% of max output voltage
Output Over-current:	Stops the output when the output current exceeds + 2% of max output current
Short Circuit Protection:	Unit will automatically stop output if short detected
Reverse Polarity:	Charger will not operate if polarity is reversed
Input Under-voltage:	If AC input is lower than 85V unit will shut down
Input Over-voltage:	If AC input is greater than 265V the charger will shut down
Thermal Self Protection:	The charging current reduces automatically if internal temp exceeds 85C

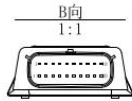
Physical Dimensions – HK-LF-540-12 Charger



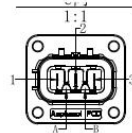
Pin Connectors - HK-LF-540-12 Charger



A



B



C

HVSI.362022A (SP018022A) 08C Output Terminal
Crimping (Big) :C3100235011 (SP01N45001P)
Crimping (Small) :C310003614 (SP01N12001S)

Brand	Pin	Definition	Wiring Color /Diameter (mm ²)
Ampheonol	1	Positive	Red/8AWG
	2	Negative	Black/8AWG
	A	HVIL Signal 1	Grey/0.5mm ²
	B	HVIL Signal 2	Brown/0.5mm ²

C向

348302001 Signal Terminal

Brand	Pin	Definition	Color/Wiring Diameter (mm ²)
Molex	10	12V5A Output +	/
	11	CANH	
	12	CANL	
	13	HVIL 1	
	14	HVIL 2	
	17	GND	
Others		NC	

HVSI.633023A (SP01A023A) 08C Input Terminal
Crimping (Big) :C310003622 (SP01N63001P)
Crimping (Small) :C310003614 (SP01N12001S)

Brand	Pin	Definition	Wiring Color /Diameter (mm ²)
Ampheonol	1	Null Line (N)	Black/4
	2	Earth Line (PE)	Yellow Green/4
	3	Live Line (L)	RED/4
	A	HVIL Signal 1	Grey/0.5
	B	HVIL Signal 2	Brown/0.5

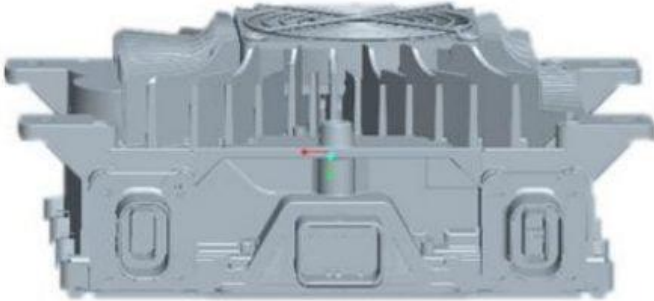
Installation Requirements – HK-LF-540-12 Charger



Best installation method



General installation method



Prohibited installation method