

Dodge/Chrysler Adaptor Kit – CEV5108

CEV5108



Overview

All adapters retain use of original clutch and fit most NetGain Hyper9, WARP 9 and HPEV AC34/AC35/AC50/AC51 Motors. Some adapter plates may have more or less bolt holes than your make and model of vehicle requires. As some adapters span a broad range of model years the adapter is designed to have enough bolt holes to be compatible with all model designs.

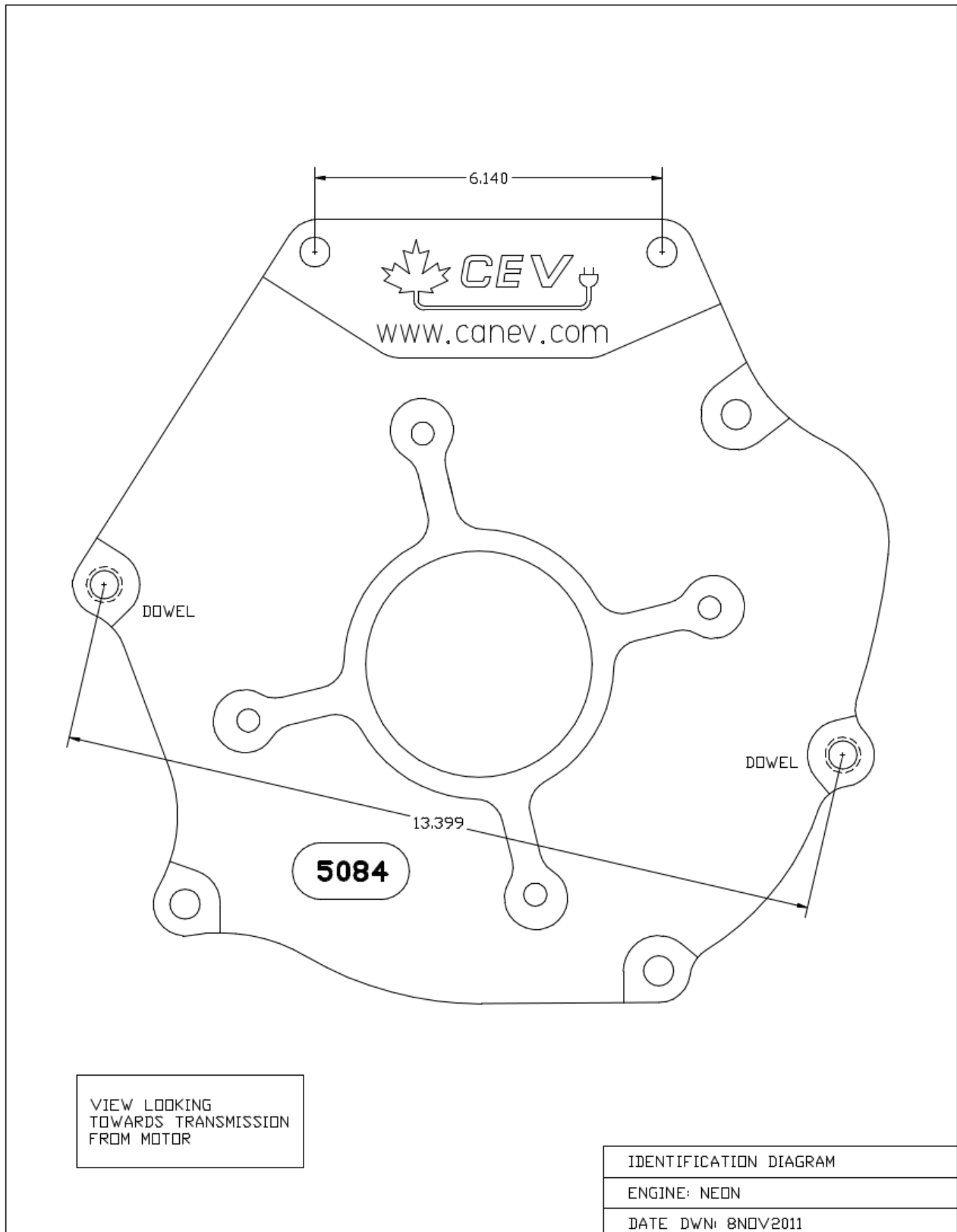
Specifications

- All adapter kits come with required hardware
- If using a HyPer9 motor, you may also need a shaft collar spacer, which is included

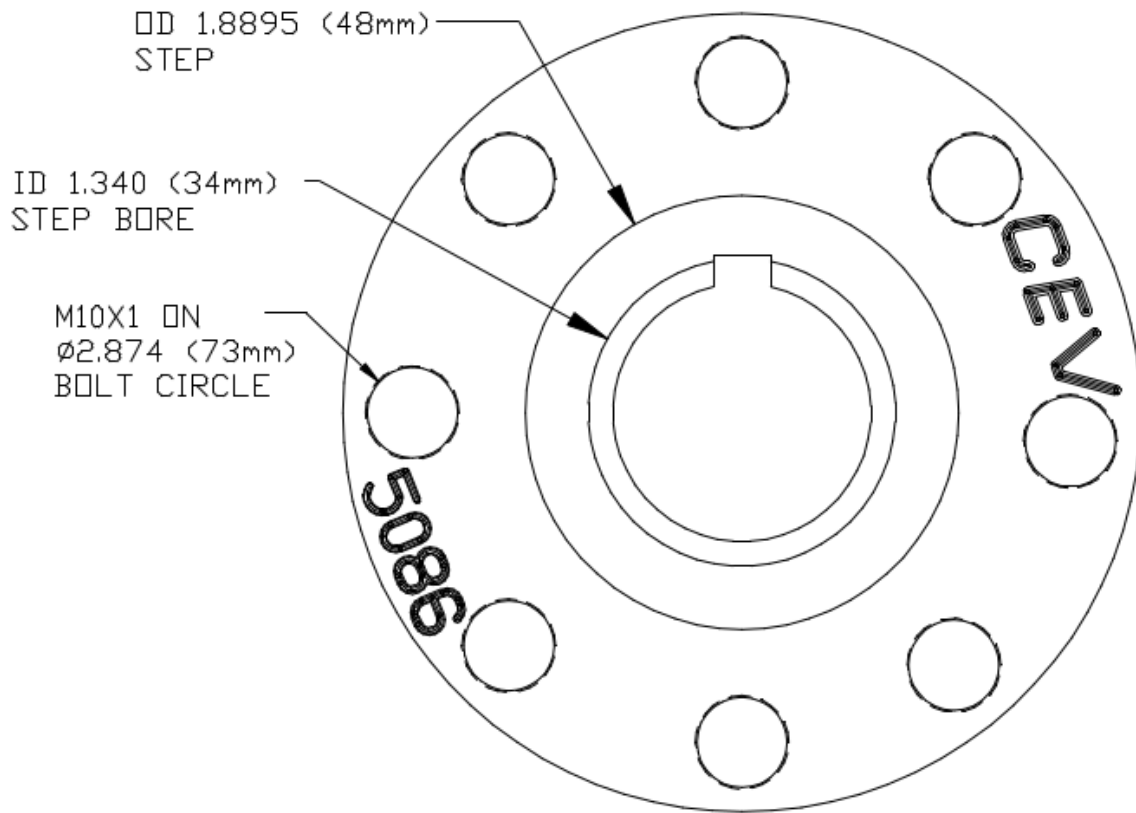
Compatible Vehicles – Dodge/Chrysler Adaptor Kit CEV5108

- 1.8 – 2.0 N/A applications:
 - Dodge Neon/Plymouth Neon (1995-2005)
 - Dodge Stratus/Plymouth Breeze (1995-2000)
 - Dodge Neon R/T (2001-2004)
 - Dodge Neon ACR (2001-2004)
 - Plymouth Neon ACR (2001-2002)
 - Chrysler PT Cruiser (non-US) (ECC)
 - Dodge Avenger/Chrysler Sebring (1995-1999) (420A)
 - Dodge Neon/Plymouth Neon (1995-1999) (ECC)
 - Mitsubishi Eclipse/Eagle Talon (second generation, 1995-1999) (420A)
- 2.4 N/A applications:
 - 1995-2000 Chrysler Cirrus
 - 1995-2006 Chrysler Sebring
 - 1995-2006 Dodge Stratus
 - 1996-2000 Dodge Caravan
 - 2002-2005 Jeep Liberty
 - 2003-2006 Jeep Wrangler
 - 1996-2000 Plymouth Voyager
 - 1996-2000 Plymouth Breeze
 - Chrysler PT Cruiser
- 2.4 Turbo Applications:
 - Chrysler PT Cruiser GT
 - 2003-2005 Dodge SRT4
 - Dodge Stratus R/T (Mexico)

Dimensions – Dodge/Chrysler Adaptor Kit – CEV5108



Dimensions – Dodge/Chrysler Adaptor Kit – CEV5108 (cont.)



VIEW LOOKING
TOWARDS MOTOR

HUB IDENTIFICATION DIAGRAM
ENGINE: NEON
DATE DWN: 29JUL2012