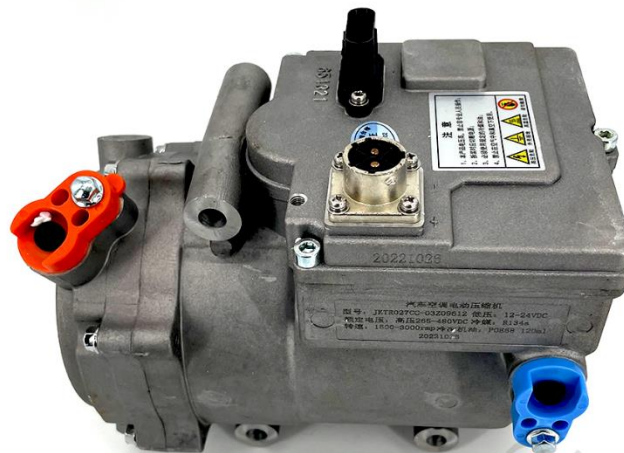




## 400 Volt A/C Compressor Kit



### Overview

The CanEV 400 Volt A/C Compressor Kit provides the necessary components to replace the traditional AC pump of an ICE vehicle. The kit comes with all the parts needed to complete the project including pump, controller, contactor and wiring harness.

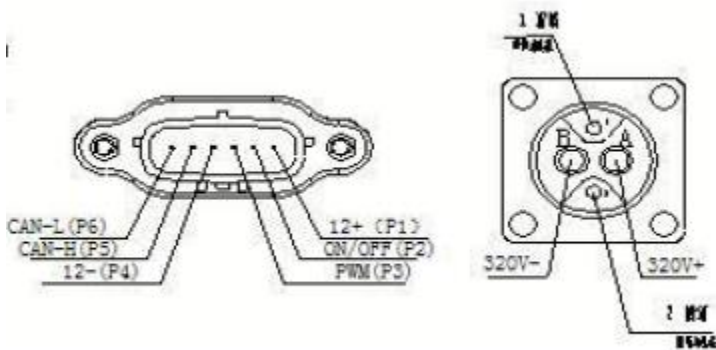
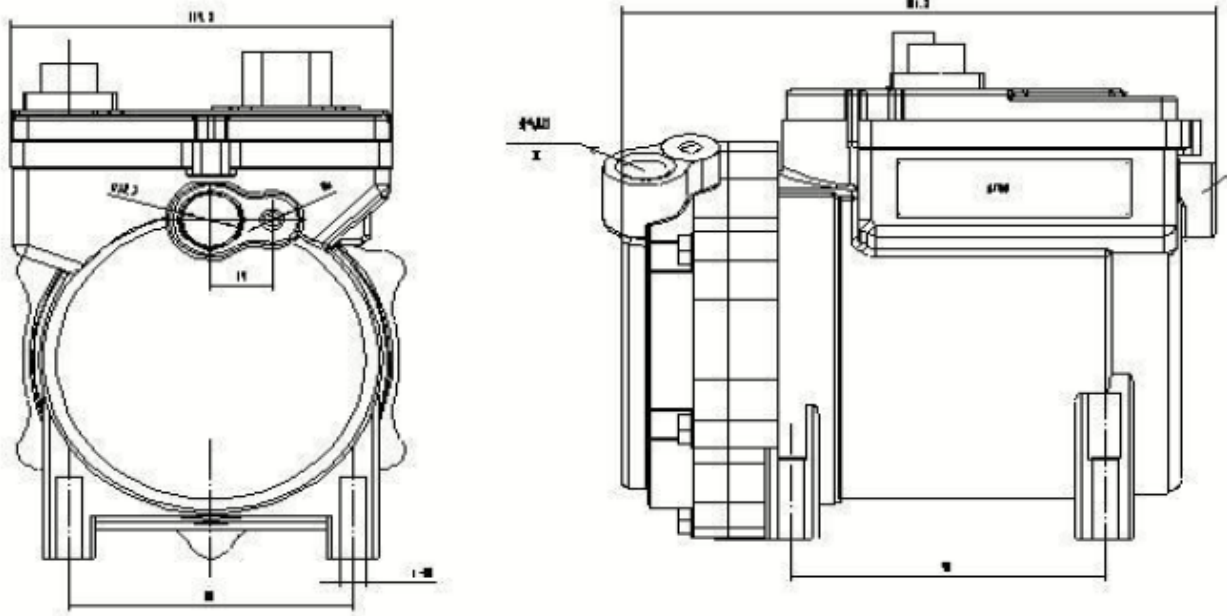
#### Quick Specs

Compressor Type:	Horizontal Scroll Compressor
Min / Max Voltage Range:	260 ~ 450 Volts DC
Refrigerant Type:	R134a
Pump Weight:	6.1 kg
Pump Dimensions:	161.5mm (L) X 98mm (W) X 155mm (H)

#### Kit Contents

- Compressor Pump
- Controller
- Contactor
- Wiring Harness

# Installation Requirements – 400V A/C Compressor Kit



96V AC Compressor Kit (90-130V)

144V AC Compressor Kit (120-180V)

400V AC Compressor Kit (260-450V)

## Precautions:

1. The compressor must not fall to the ground or be affected by it during transportation.
2. The compressor must be installed in the specified direction. The lubricating oil in the compressor must not leak during installation. It is recommended to install vibration isolators between the compressor and the mounting bracket.
4. After removing the compressor suction and discharge pressure plate and plug, it should be within 10 minutes. Connect the compressor to the system and draw a vacuum fill with 450-500g R134A.

## Specifications - 400V A/C Compressor

Compressor type		DLCP144-27Y3-2a
Compressor mode		Semi enclosed horizontal scroll compressor
Using refrigerant		R134a
Exhaust volume		27cm <sup>3</sup> /rev
Driver		Integrated type
Motor cooling		Suction refrigerant cooling
Common speed range		1500--4000rpm
Maximum permissible rotational speed		-
Evaporation temperature range		-10~15.6°C
Condensation temperature range		26.7~65.6°C
pressurization	Seal pressure	30bar
	Damage pressure	The suction side 5.2MPa The exhaust side 8.3MPa
Pressure relief valve	Pressure relief	4.00.4MPa
	Recovery pressure	3.25MPa
The amount of leakage of refrigerant		<14g/a
Lubricating oil / oil		POE-68/120ml
Appearance		Aluminum alloy surface shot peening
Total mass (oil)		6.1kg(Containing refrigerant oil)
Installation method		Through 3 holes on the bracket.
Installation dimensions		132 X 82
The suction pipe interface diameter		18.3mm
Exhaust pipe interface inner diameter		15.5mm
Protection level		IP67
Electric parameter performance	Motor type	Permanent magnet synchronous motor
	Voltage resistance	2000VAC, no abnormal after 1 minutes.
	Insulation property	500VAC, insulation resistance >50M (20)

## Specifications - 400V A/C Compressor (cont.)

Item		Specifications
Model		Integral type DLCT144-1.6
Cooling mode		Compressor suction cooling
Speed	Range	4000r/min
	Regulation speed	1000r/min /s
	Time of reaching Maximum speed	within 5 seconds after starting
Waterproof		IP67
Control mode		Sine wave control
Operating voltage range		130V-190
Withstand voltage range		Less than 200V
Under voltage protection		128V
Under pressure recovery		130V
Over voltage protection		190V
Over voltage recovery		188V
Working current	Normal working maximum current	15A
	Overload operation	The driver detects the load greater than 15A, and the compressor will be shut down
	Motor minimum operating speed	When Motor speed is less than 1000 rpm, the compressor will be shut down
Using environment	Storage temperature	-20 Degree ~65 Degree
	Using temperature	-10 Degree ~ 65 Degree
	Drive belt work surface temperature	30 degrees higher than the ambient temperature
Insulation		More than 50M