

STEM SIZES & COLOUR GUIDE

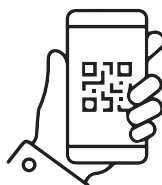
For ease of recognition, the inner collar is colour coded for each of the nine sizes available.

STEM SIZE	COLOUR
30mm	SILVER
28mm	GREY
25mm	PURPLE
24mm (1")	RED
22mm (7/8")	PINK
20mm	ORANGE
19mm (3/4")	GOLD
16mm (5/8")	BLUE
13mm (1/2")	GREEN



Robert Sorby
TRAC
TOOL REST ADJUSTMENT COLLAR

The Robert Sorby TRAC is the perfect addition for every woodturner.



It allows the tool rest height to be easily adjusted up or down, by up to 1/2"/13mm, by just turning the outer adjustment ring.

Included:



Acetal seating disc



Allen key



Always use eye protection and a form of dust mask as well as an air cleaner and dust extractor when doing any form of woodworking.

For further information on these and any other Robert Sorby products, please contact us at:

Robert Sorby Ltd, Sheffield ENGLAND

Tel: +44 (0) 114 225 0700

E-mail: sales@robert-sorby.co.uk

Robert Sorby

Registered in England: Company No. 3464018

Registered Office: Atlas Way, Atlas North, Sheffield S4 7QQ

VAT No GB 172 4019 84



MADE IN SHEFFIELD

**MADE IN
BRITAIN**

www.robert-sorby.co.uk

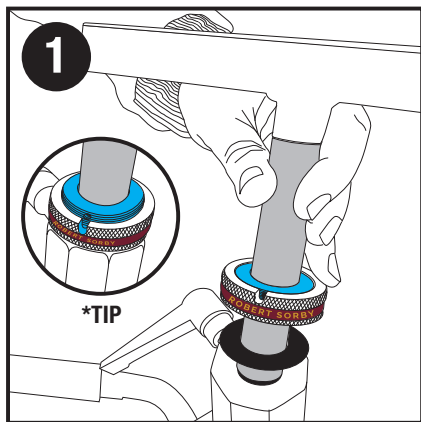
A common problem for every Woodturner whilst turning, is that when a new height position is required, and the locking handle is released, the tool rest drops, and the position is lost.

The TRAC ensures the tool rest stays at the personally set height, even when the tool rest locking handle is released, allowing the tool rest to be moved to a new position without the need to reset the height prior to locking into place.

The Acetal seating disc allows the TRAC to operate smoothly and easily.

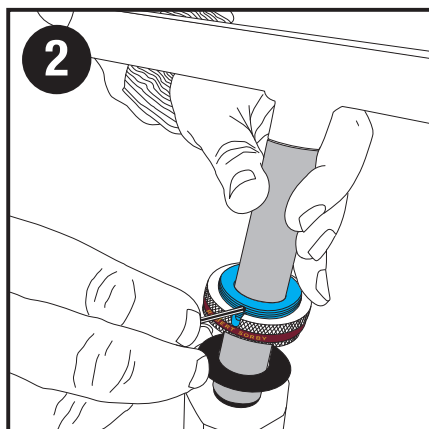
The Robert Sorby TRAC is available in nine sizes, to suit the standard tool rest stem of virtually every lathe available in the world, as well as the full range of stems from the Robert Sorby modular tool rest system.

SIMPLE STEP-BY-STEP GUIDE

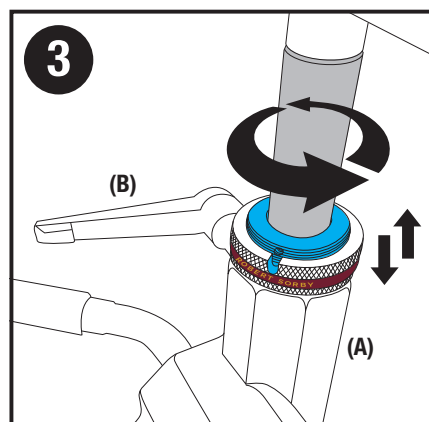


Place the TRAC & seating disc onto the stem.

***TIP:** Adjust the outer ring so around $\frac{1}{4}$ "/6mm of the inner ring is protruding to allow for easy up and down adjustment.



Move the TRAC to the desired position on the stem and lock into place with the included Allen key.



Allow the sealing disc and TRAC to sit onto the stem column (A) and adjust to the required height by rotating the outer ring. Now position the tool rest in the desired position and lock the stem in the normal way with the lathe locking handle (B).

Robert Sorby

Registered in England: Company No. 3464018

Registered Office: Atlas Way, Atlas North, Sheffield S4 7QQ

VAT No GB 172 4019 84



MADE IN SHEFFIELD

MADE IN
BRITAIN

www.robert-sorby.co.uk