

# Combo Salt Shaker & Pepper

## Kit Features:

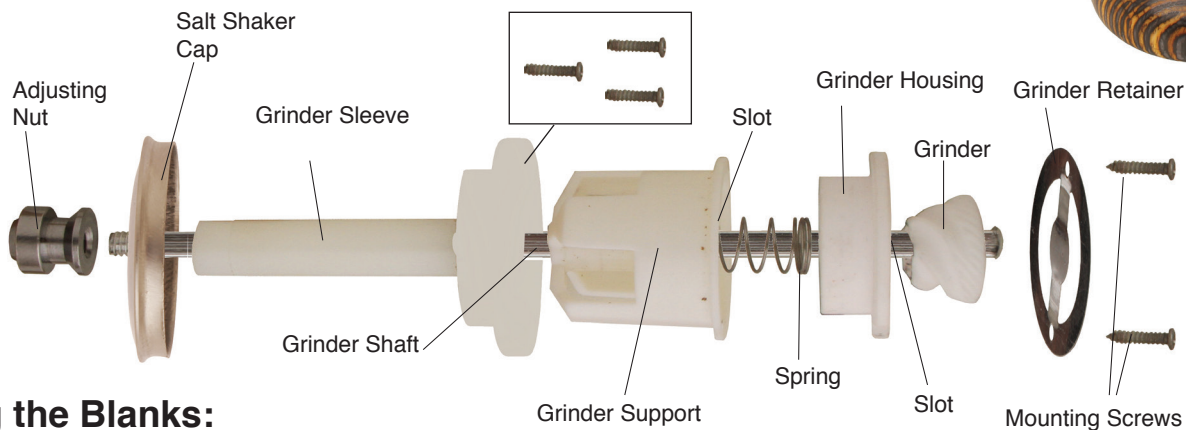
- Overall height: 6-3/4"
- Convenient Salt & Pepper dispenser in one piece
- Easy to refill both Salt & Pepper
- Ceramic Grinder Mechanism

## Required Accessories:

- 1-1/2" Forstner Bit: #FB150
- 1-1/16" Forstner Bit: FB1-116
- 1" Jam Chuck: #CJAM1
- Forstner Bit Extender: #FEX (Optional)
- Base Blank: 2-1/2" Min x 4" L (diameter can be as large as 3")
- Head Blank: 2-1/2" Min x 2" L (diameter can be as large as 3")



## DIAGRAM A / PARTS LAYOUT



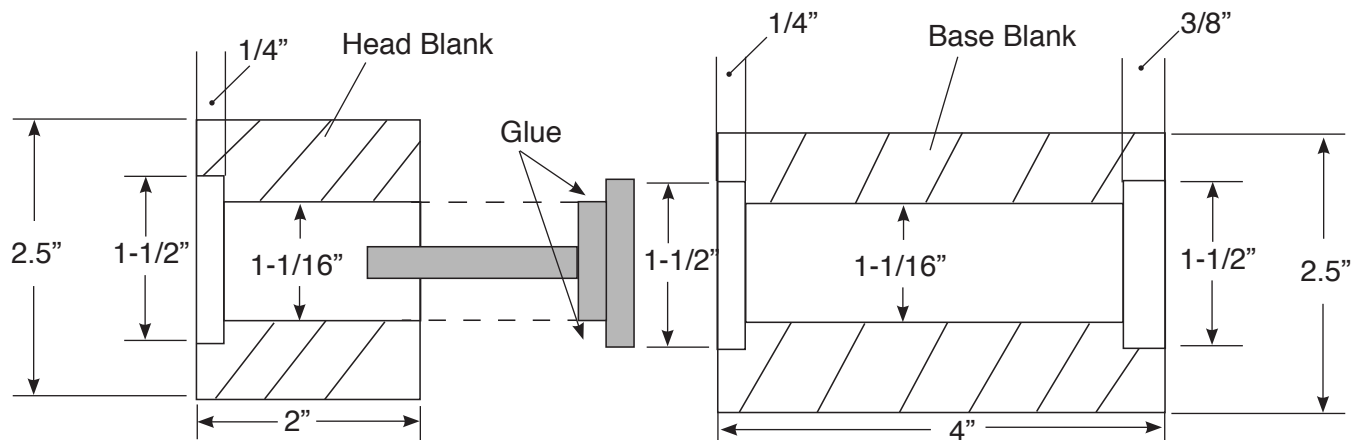
## Boring the Blanks:

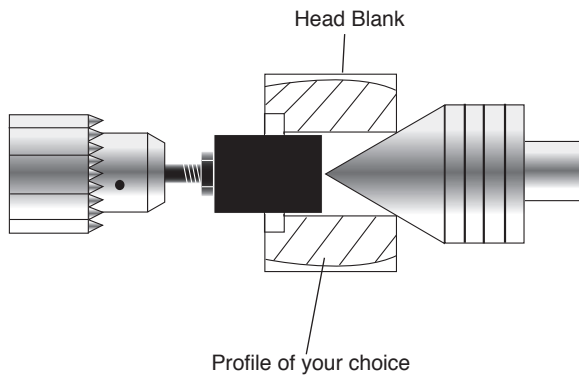
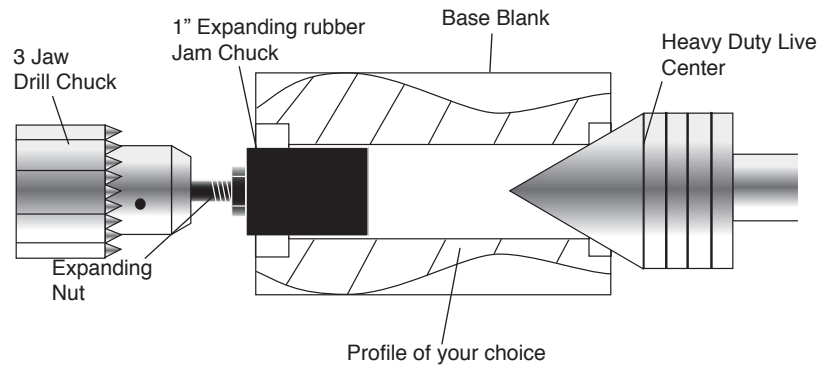
- Base:**
- Mark the center on both ends of the blank.
  - Drill a 1-1/2" hole on each end, 3/8" deep at the base and 1/4" deep on the upper end.
  - Drill a 1-1/16" hole through the entire blank, (bit extender is optional for this process) or drill half-way through and turn around and drill through from the opposite end.
- Note:** If you drill the center hole from both ends to meet in the middle, be sure the ends of the blanks are 90° square to obtain the best alignment of holes.

## Head:

- Mark the center on both ends of the blank.
- Drill a 1-1/2" hole, 1/4" deep on the top end of the blank. Check to make sure the salt plate fits into this recess.
- Follow with a with a 1-1/16" diameter hole to the end.

## DIAGRAM B / BORING THE BLANKS



**DIAGRAM C / TURNING THE HEAD****DIAGRAM D / TURNING THE BASE****Turning the Blanks****Head Blank:**

- Use the same Jam Chuck as above.
- Mount the head blank on the Jam Chuck (see Diagram C) and expand it in the hole.
- Bring the tailstock center into the hole at the opposite end and lock in place.
- Turn the head blank into a profile that is consistent with the base blank.
- Sand and finish the wood.

**Base Blank:**

- Mount the base blank on a 1" Jam Chuck (see Diagram D) and expand it in the hole.
- Bring the tailstock center into the hole at the opposite end and lock in place.
- Turn the base blank to the profile of your choice.
- Sand and finish the wood.

**Assembly**

- Layout parts according to diagram A.
- Insert the grinder components over the grinder shaft, creating a grinder assembly.
- Insert the assembly through the bottom of the base blank and push in.
- Align the slots on the recess, affix the grinder retainer and mark the holes for drilling.
- Drill small pilot holes (1/16") in the recess and screw in the mounting screws.
- Glue the grinder sleeve into the bottom of the head blank.
- When the glue is dry, insert the head blank over the extended shaft, into the recess at the base.
- Affix the salt shaker cap into the hole at the head blank.
- Follow with the adjusting nut.

**To fill with pepper:**

Unscrew the adjusting nut, remove the head blank and fill the container with pepper corns. Replace the head piece. Use the adjusting nut to set the grind.

**To fill with salt:**

Remove the adjusting nut and the salt shaker cap. Fill with granulated salt. Replace parts.

