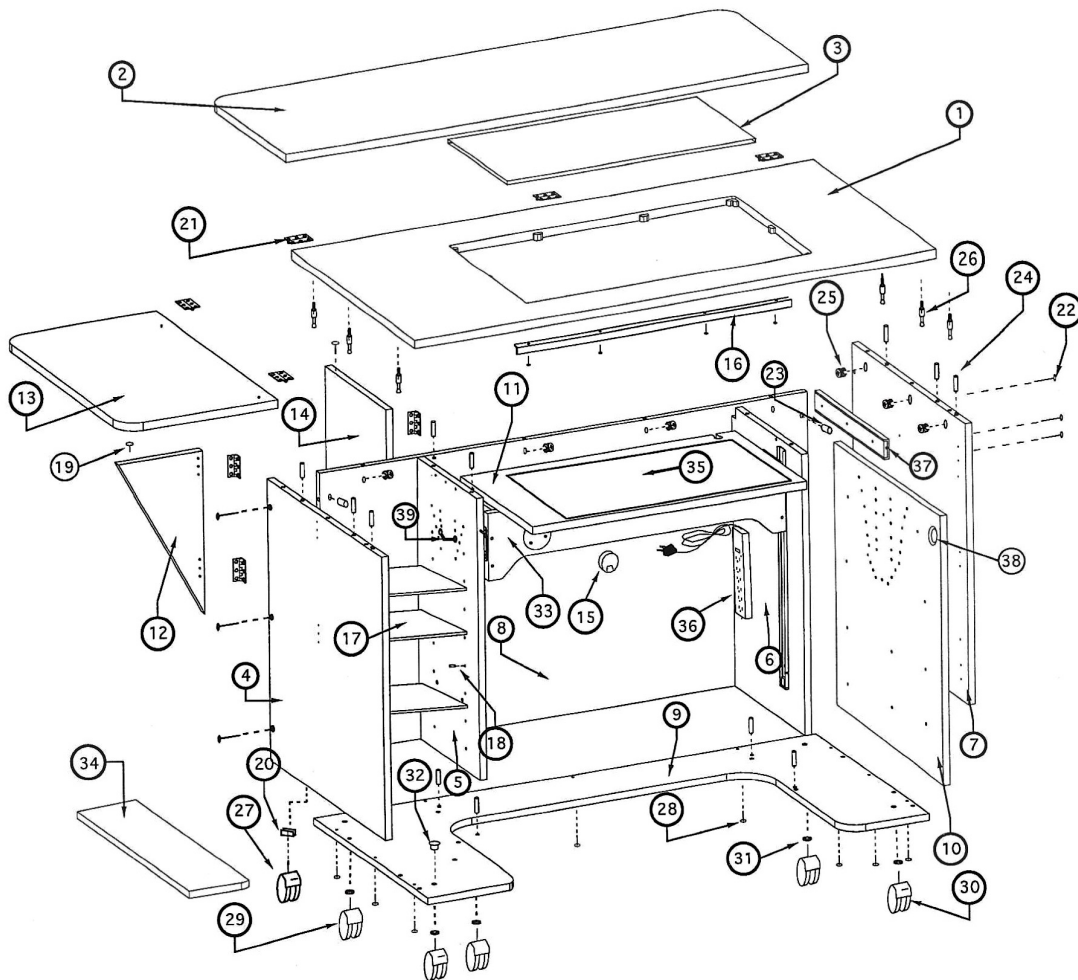


MODEL: 8030A PARTS DRAWING

1/29/19



NOTE: WHEN ORDERING REPLACEMENT PARTS, PLEASE SPECIFY PART NUMBER _____ AND COLOR _____.

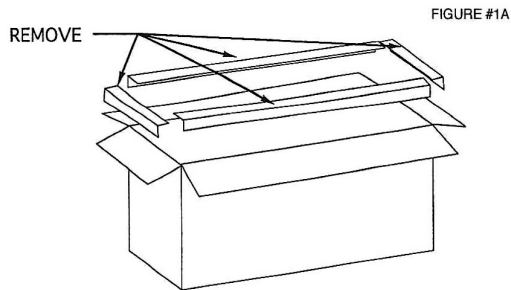
HORN OF AMERICA, INC.
 P.O. BOX 608
 SUTTON, WV 26601
 PH: (800) 882-8845

<u>PART NO.</u>	<u>DESCRIPTION</u>	<u>QTY. REQ.</u>	<u>PART NO.</u>	<u>DESCRIPTION</u>	<u>QTY. REQ.</u>
8030A-1	TOP	1	8030A-20	5/8" U- CASTER BRACKET	1
8030A-2	DROP LEAF	1	8030A-21	BUTT HINGE W/ SCREW	9
8030A-3	FILLER PANEL	1	8030A-22	CONNECTOR BOLT 2"	6
8030A-4	LEFT SIDE PANEL	1	8030A-23	5/8" BARREL NUT	6
8030A-5	LEFT LIFT PANEL	1	8030A-24	WOOD DOWEL	20
8030A-6	RIGHT LIFT PANEL	1	8030A-25	CAM LOCK	10
8030A-7	RIGHT SIDE PANEL	1	8030A-26	CAM LOCK PIN	10
8030A-8	BACK	1	8030A-27	PUSH-IN LOCKING CASTER	3
8030A-9	BOTTOM	1	8030A-28	SCREW #8 X 1 1/8"	13
8030A-10	HOOP/ SHELF PANEL	1	8030A-29	5/16" THREAD NON-LOCK CASTER	3
8030A-11	MOUNTING PLATFORM	1	8030A-30	5/16" THREAD LOCKING CASTER	2
8030A-12	EXTENSION SUPPORT PANEL	1	8030A-31	CASTER WASHER	5
8030A-13	SWING UP EXTENSION PLATFORM	1	8030A-32	5/16" THREAD INSERT NUT	5
8030A-14	SUPPORT PANEL	1	8030A-33	REFER TO MODEL 14B	1
8030A-15	WIRING GROMMET	1	8030A-34	FOAM PROTECTOR PAD	1
8030A-16	TOP SUPPORT RAIL W/SCREWS	1	8030A-35	NON-SLIP PAD	1
8030A-17	ADJUSTABLE SHELF	3	8030A-36	POWER STRIP	1
8030A-18	SHELF PINS	12	8030A-37	100# DRAWER SLIDE W/ SCREWS	2
8030A-19	GLIDE TACK	2	8030A-38	FINGER PULL	1
			8030A-39	HOOP HOOK	6

MODEL 8030A ASSEMBLY INSTRUCTIONS

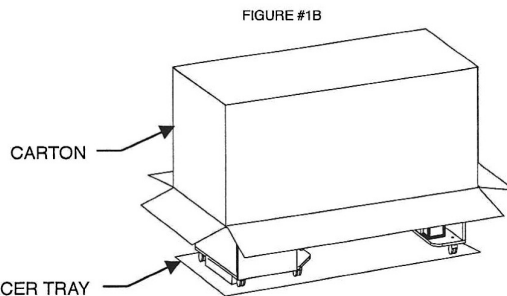
1. UNPACKING CABINET

AFTER OPENING CARTON REMOVE
BOTTOM CORNER PIECES ONLY.
LEAVE FOAM SPACER TRAY.



WITH THE HELP OF ANOTHER PERSON,
SLOWLY LOWER BACK OF CABINET ONTO
FLOOR AND THEN ROTATE UPRIGHT
AS SHOWN IN FIGURE #1A.

LIFT CARTON OFF OF CABINET. LIFT
CABINET OFF OF FOAM SPACER TRAY
AS SHOWN IN FIGURE #1B



AFTER REMOVING SHRINK WRAP
LOCATE INNER CARTON POSITIONED
ON SIDE OF CABINET.

2. OPEN CABINET AND REMOVE INNER CARTON

LIFT UP LEFT EXTENSION PANEL AND USE
EXTENSION SUPPORT PANEL TO HOLD PLATFORM
IN POSITION. PULL OUT WIRING
GROMMET AND ROUTE POWER CORD
THROUGH HOLE. PUSH WIRING GROMMET
BACK IN PLACE. PLUG POWER CORD INTO
POWER OUTLET. REMOVE FILLER PANEL BY
REMOVING TAPE STRIPS WHEN UNPACKING.
TO REMOVE INSERT/FILLER PANEL FROM
TOP, PUSH UP FROM BOTTOM SIDE AS
SHOWN IN FIGURE #2. LIFT UP DROP LEAF
AND USE SUPPORT PANEL TO HOLD DROP
LEAF IN PLACE.

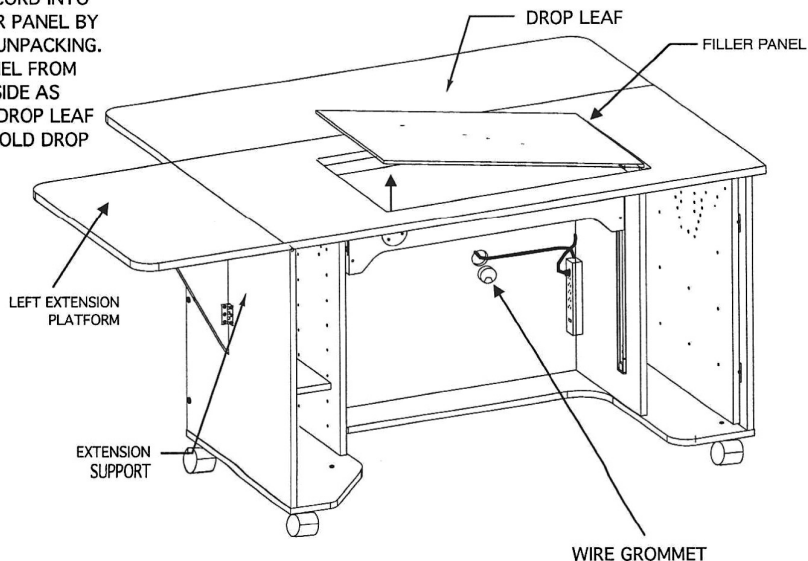


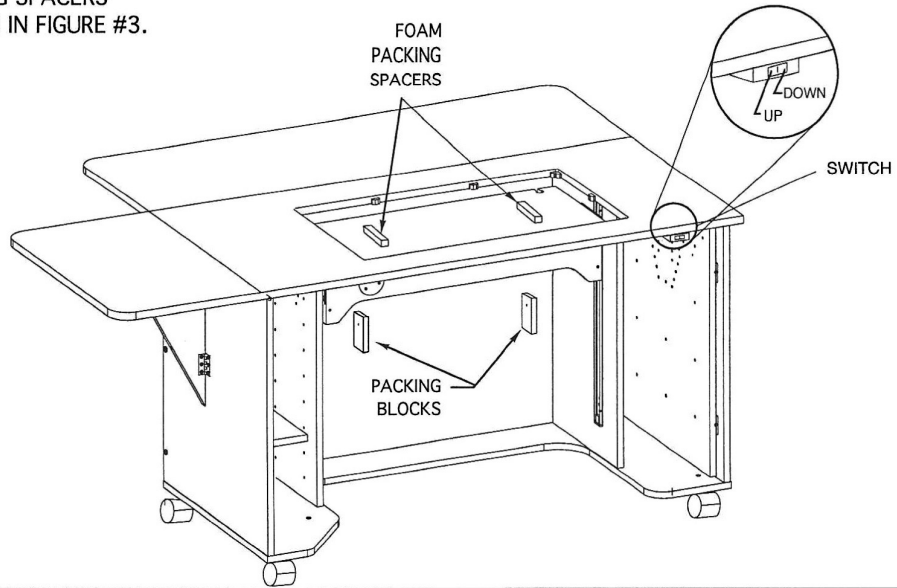
FIGURE #2

MODEL 8030A ASSEMBLY INSTRUCTIONS

3. REMOVE PACKING FROM ELECTRIC LIFT AND OPTIONAL FOOT SHELF REMOVAL

FIGURE #3

REMOVE 2 PACKING BLOCKS LOCATED UNDER LIFT BY REMOVING SCREWS. USE SWITCH AND LOWER PLATFORM. REMOVE 2 FOAM PACKING SPACERS AND DISCARD AS SHOWN IN FIGURE #3.

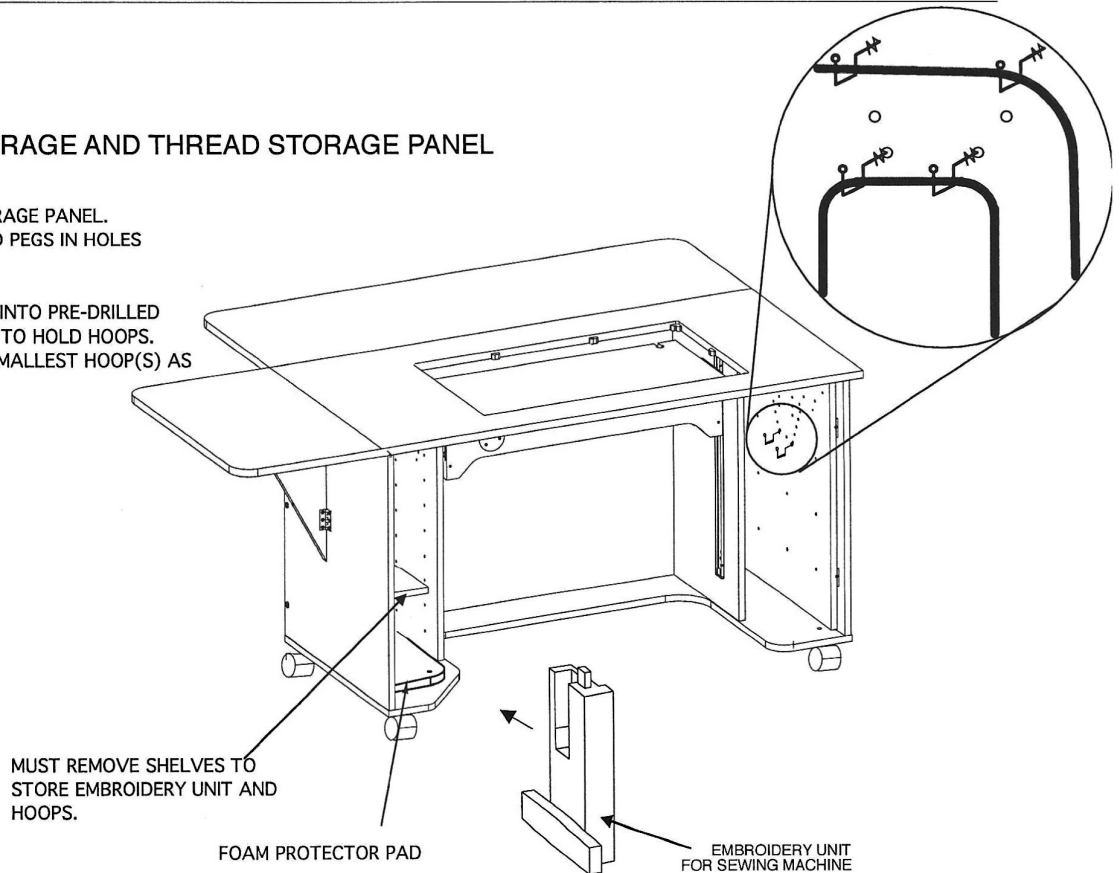


4. EMBROIDERY STORAGE AND THREAD STORAGE PANEL

PULL OUT THREAD STORAGE PANEL. INSERT PLASTIC THREAD PEGS IN HOLES ON THREAD SHELVES.

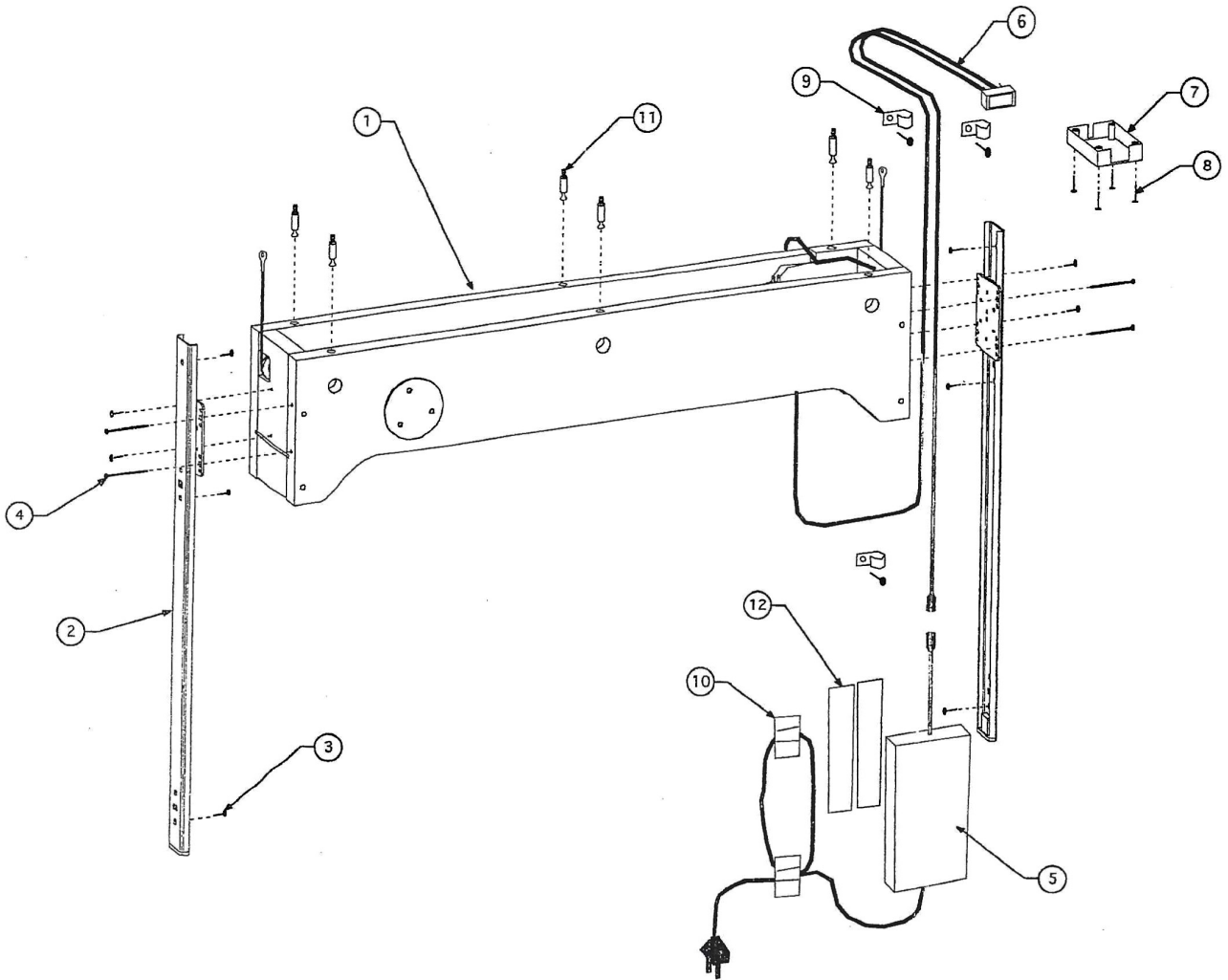
FIGURE #4

SCREW HANGER HOOKS INTO PRE-DRILLED HOLES ON HOOP PANEL TO HOLD HOOPS. CONTINUE WITH NEXT SMALLEST HOOP(S) AS SHOWN IN FIGURE #4.



MODEL: 18A
ELECTRIC LIFT
PARTS DRAWING

4/4/2019



NOTE: WHEN ORDERING REPLACEMENT PARTS, PLEASE SPECIFY PART NUMBER _____ AND COLOR _____.

PART NO.	PART DESCRIPTION	QTY. REQ.
12A-1	ELECTRIC LIFT UNIT COMPLETE	1
12A-2	VERTICAL SLIDE RAIL	2
12A-3	VERTICAL SLIDE RAIL SCREW	10
12A-4	50mm CONFIRMATE SCREW	4
12A-5	POWER TRANSFORMER	1
12A-6	MAIN WIRING HARNESS WITH SWITCH	1
12A-7	SWITCH ENCLOSURE	1
12A-8	SWITCH ENCLOSURE SCREW	4
12A-9	CABLE CLAMP W/SCREW	3
12A-10	ADJUSTABLE ADHESIVE CABLE CLAMP	2
12A-11	CAM LOCK PIN	6
12A-12	VELCRO STRIP	2