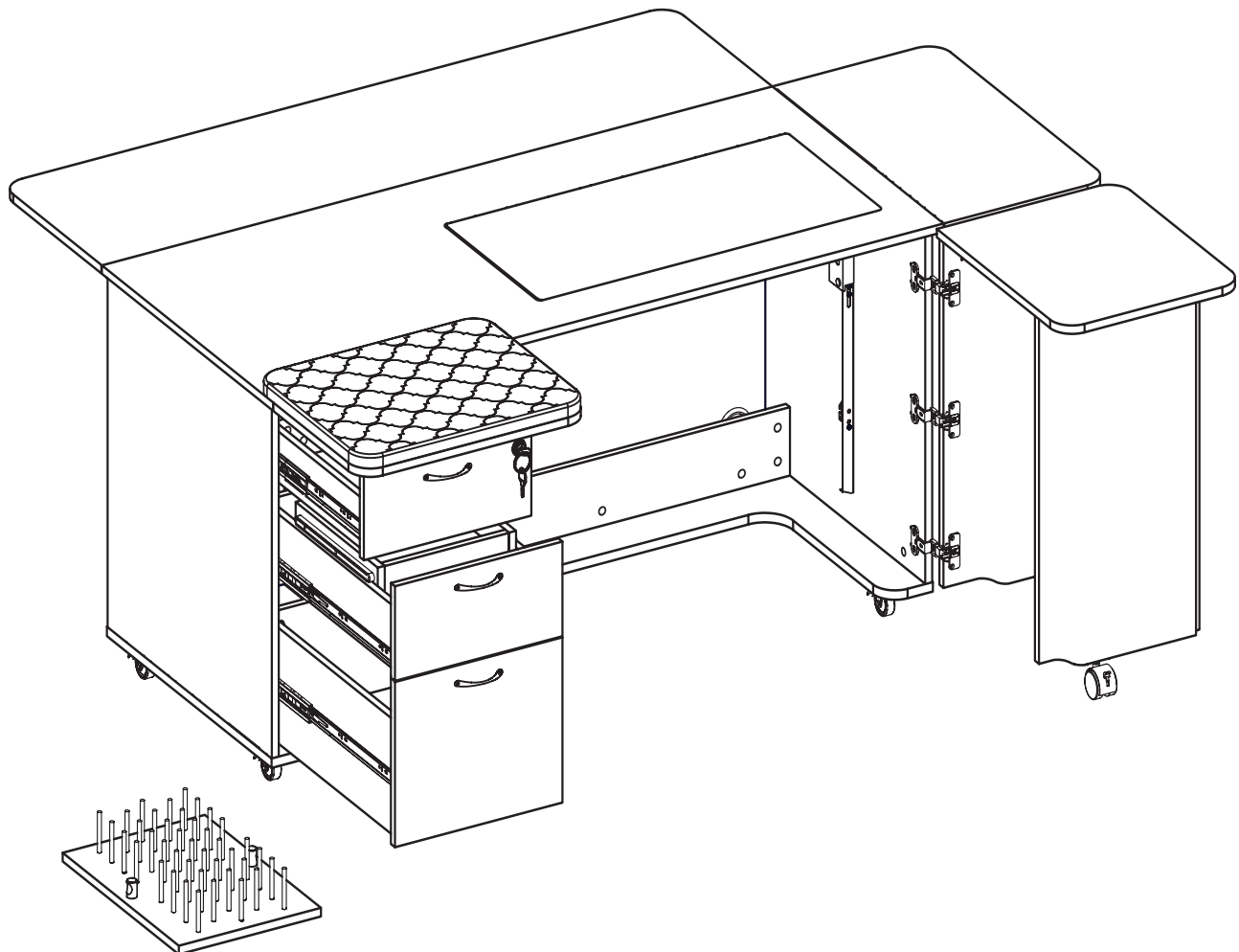




# ASSEMBLY INSTRUCTIONS

## Sydney

**ITEM NO.:** K4711 EL    Ash White Electric Lift  
K4711 XL    Ash White Hydraulic Lift



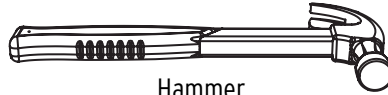
# General Assembly Guidelines

1. Read the instructions carefully before beginning the assembly process to ensure proper assembly of this product. Please open and inspect the contents of box(es) to see that all parts and hardware are included.

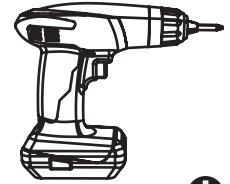
## 2. Tools Required



Phillips Screwdriver ⊕

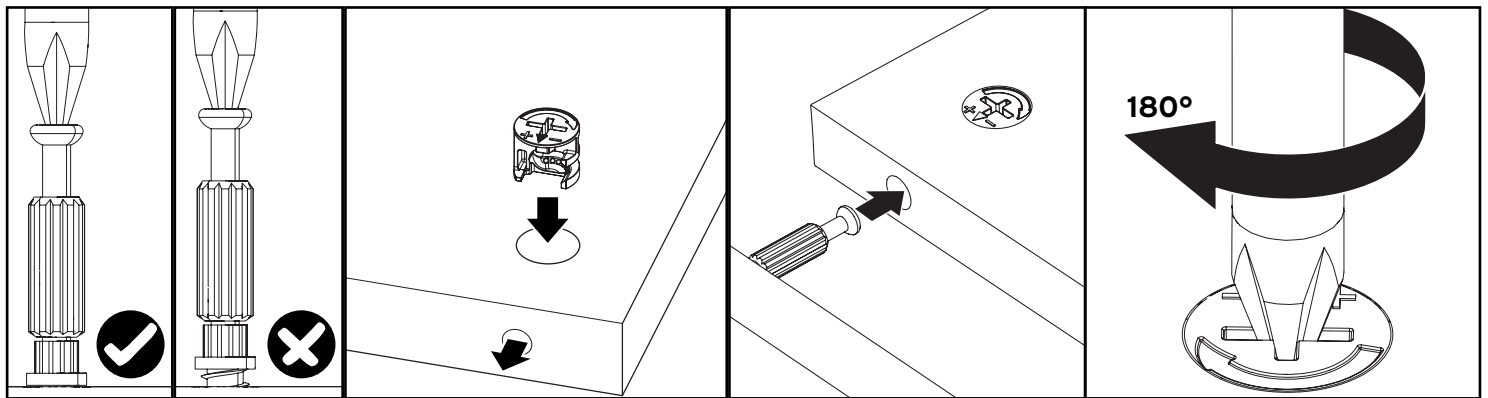


Hammer



Electric Screwdriver ⊕  
Torque set to 3-5

## 3. Understanding How the Cam Fastener Works



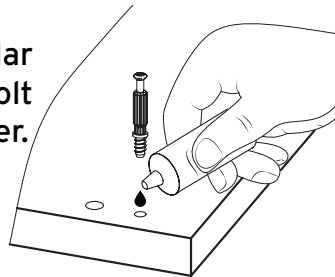
Screw cam bolts flush as illustrated.

Press cam into hole until flush with surface. The arrow direction must be in the direction of the hole.

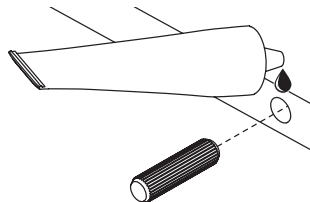
Insert bolt through pre-drilled hole in edge of panel.

Turn clockwise to lock cam with bolt.

**Tip:** place a small bit of WD-40 or similar lubricant into the pre-installed cam bolt holes to help the cam bolts screw in better.



4. **Glue** provided is to secure wood dowels in place and is optional. If glue is used during assembly, locate the appropriate hole for the dowel, place a small amount of glue in the hole and insert the dowel. Wipe away excess glue immediately. It is not necessary to glue the other end of the dowel when attaching to other parts.

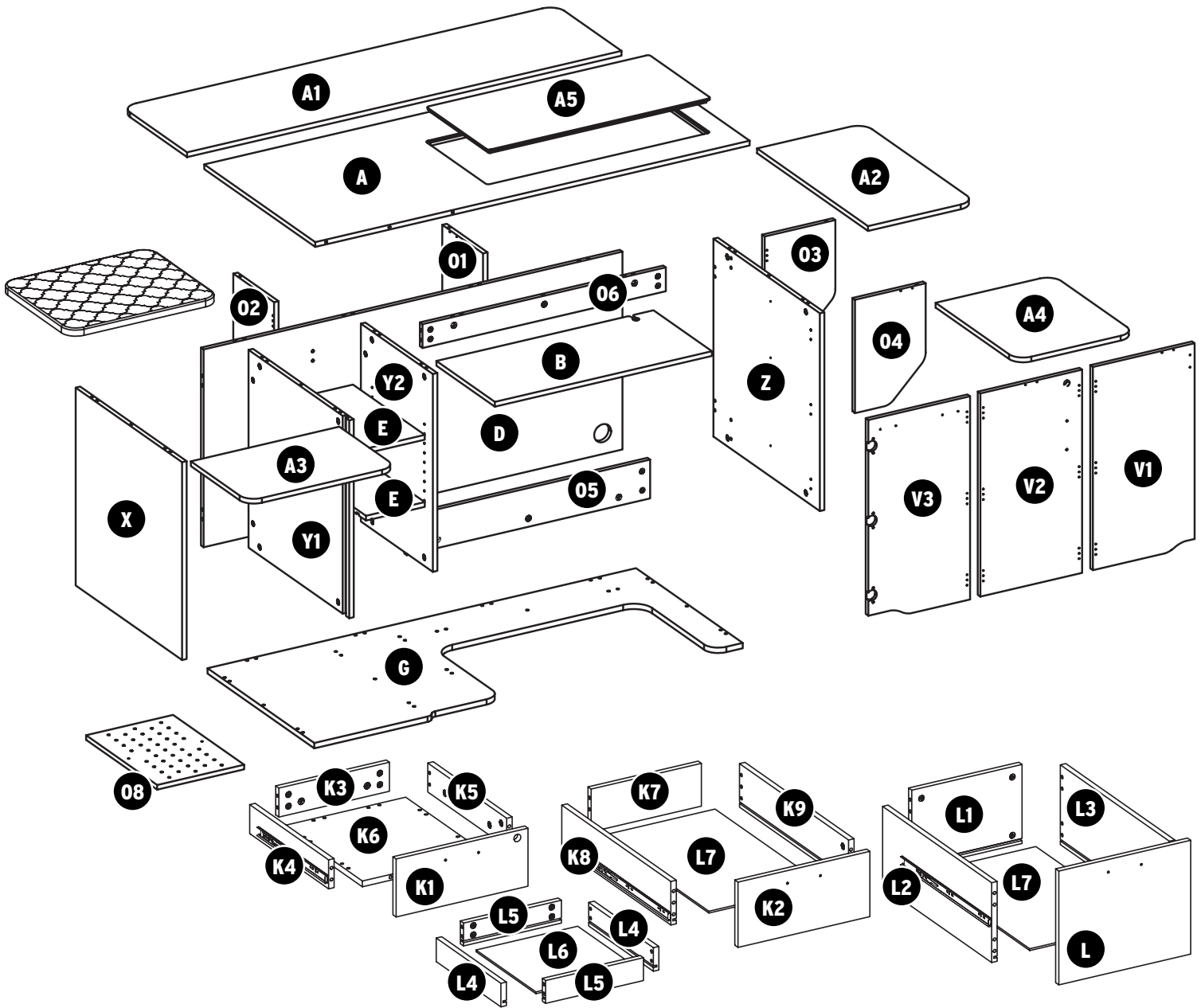


**Use and Care** Your cabinet normally requires a minimum amount of maintenance; however, the following points are worth noting:

**Cleaning** - To remove marks and enhance the surface, wipe with a gentle all-purpose cleanser. **DO NOT** use ammonia-based, harsh chemicals or abrasive cleaning agents. Wipe dry immediately.

**Electrical and Hydraulic Lifts** - Require annual lubrication with WD-40 or similar lubricant.

# Parts List: Panels



ITEM	DESCRIPTION	QTY.	BOX
	Hardware Box	1	1 of 5
<b>L6</b>	Drawer Insert Tray Bottom	1	1 of 5
<b>E</b>	Shelves	2	1 of 5
<b>K1</b>	Top Drawer Front	1	1 of 5
<b>K2</b>	Middle Drawer Front	1	1 of 5
<b>K3</b>	Top Drawer Back	1	1 of 5
<b>K4</b>	Top Drawer Left Side	1	1 of 5
<b>K5</b>	Top Drawer Right Side	1	1 of 5
<b>K6</b>	Top Drawer Bottom	1	1 of 5
<b>K7</b>	Middle Drawer Back	1	1 of 5
<b>K8</b>	Middle Drawer Left Side	1	1 of 5
<b>K9</b>	Middle Drawer Right Side	1	1 of 5
<b>L</b>	Bottom Drawer Front	1	1 of 5
<b>L1</b>	Bottom Drawer Back	1	1 of 5
<b>L2</b>	Bottom Drawer Left Side	1	1 of 5

ITEM	DESCRIPTION	QTY.	BOX
<b>L3</b>	Bottom Drawer Right Side	1	1 of 5
<b>X</b>	Left Panel	1	1 of 5
<b>Y1</b>	Left Center Panel	1	1 of 5
<b>A2</b>	Right Side Leaf	1	2 of 5
<b>D</b>	Back Panel	1	2 of 5
<b>G</b>	Bottom Panel	1	2 of 5
<b>B</b>	Lift Platform	1	3 of 5
<b>L4</b>	Drawer Insert Tray Sides	2	3 of 5
<b>L5</b>	Drawer Insert Tray Front/Back	2	3 of 5
<b>L7</b>	Large Drawer Bottoms	2	3 of 5
<b>O1</b>	Right Quilt Leaf Support	1	3 of 5
<b>O2</b>	Left Quilt Leaf Support	1	3 of 5
<b>V1</b>	Door Panel 1	1	3 of 5
<b>V2</b>	Door Panel 2	1	3 of 5
<b>V3</b>	Door Panel 3	1	3 of 5

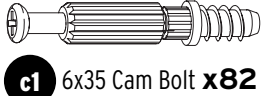
ITEM	DESCRIPTION	QTY.	BOX
	Ironing Pad		4 of 5
<b>A3</b>	Drawer Cover Panel	1	4 of 5
<b>A4</b>	Door Tabletop Panel	1	4 of 5
<b>O3</b>	Right Side Leaf Support	1	4 of 5
<b>O4</b>	Left Side Leaf Support	1	4 of 5
<b>O8</b>	Thread Spool Holder Panel	1	4 of 5
	Metal Support Bar	1	5 of 5
<b>A</b>	Top Panel	1	5 of 5
<b>A1</b>	Rear Quilt Leaf	1	5 of 5
<b>A5</b>	Sewing Well Cover Panel	1	5 of 5
<b>O5</b>	Lower Support Panel	1	5 of 5
<b>O6</b>	Upper Support Panel	1	5 of 5
<b>Y2</b>	Right Center Panel	1	5 of 5
<b>Z</b>	Right Panel	1	5 of 5
<b>O4</b>	NOT SHOWN: Electric Lift Support	1	

# Parts List: Hardware

**TIP: Keep all the parts in their individually labeled bags. This will make finding parts easier as you assemble your cabinet.**



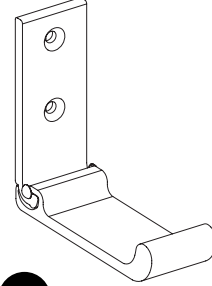
**a** Allen Wrench **x1**



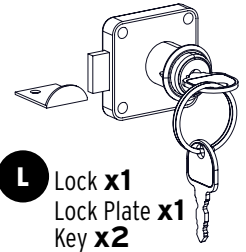
**c1** 6x35 Cam Bolt **x82**



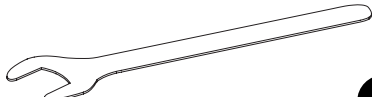
**s1** 3.5x14 Screw **x170**



**h2** Folding Hook **x2**



**L** Lock **x1**  
Lock Plate **x1**  
Key **x2**



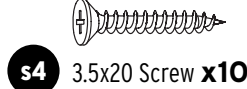
**r3** 14mm Wrench **x1**



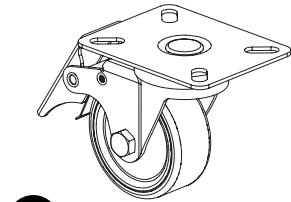
**c2** 5/8" Cam Cover **x82**



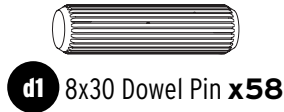
**s2** 3x14 Screw **x14**



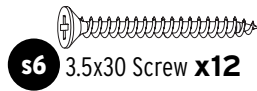
**s4** 3.5x20 Screw **x10**



**t2** Locking Plate Caster **x5**



**d1** 8x30 Dowel Pin **x58**



**s6** 3.5x30 Screw **x12**



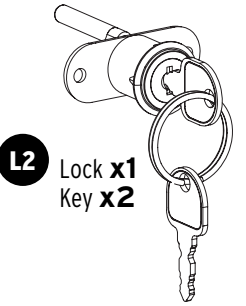
**d2** 6x50 Dowel Pin **x41**



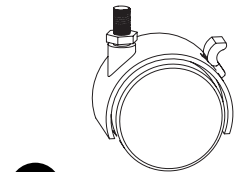
**s5** Alignment Pin **x4**



**h3** Butt Hinge **x20**



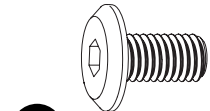
**L2** Lock **x1**  
Key **x2**



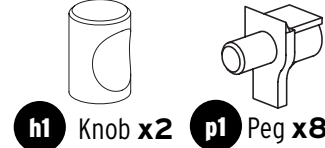
**t1** Locking Caster **x4**



**h** Handle **x4**



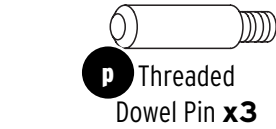
**b1** 8x16 Fix Bolt **x20**



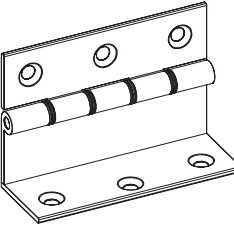
**h1** Knob **x2** **p1** Peg **x8**



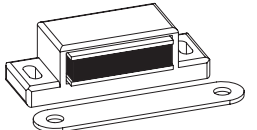
**b2** 4x20 Fix Bolt **x10**



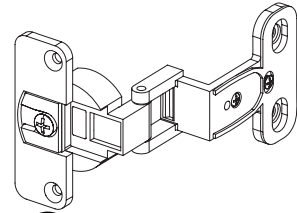
**p** Threaded Dowel Pin **x3**



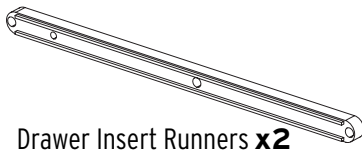
**h4** Flap Hinge **x2**



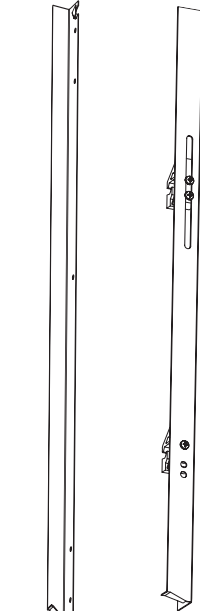
**m** Magnet **x7**  
Catch Plate **x7**



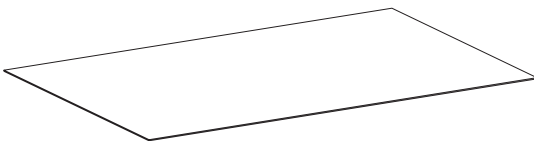
**g1** Hinge Body **x3**



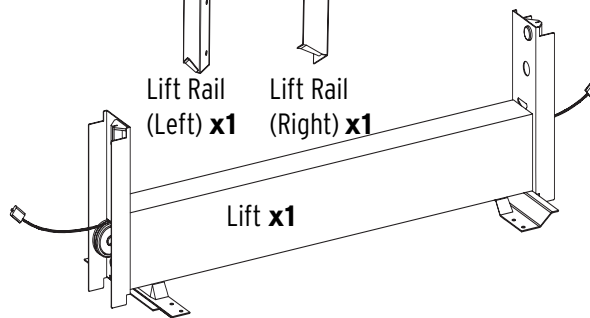
Drawer Insert Runners **x2**



Lift Rail (Left) **x1** Lift Rail (Right) **x1**



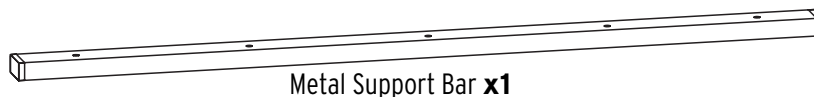
Adhesive Foam Sheet **x1**



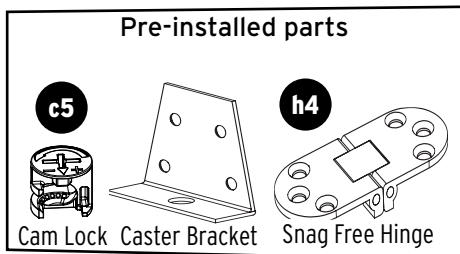
Lift **x1**



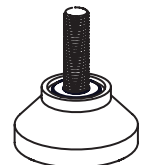
3M Clear Adhesive Panel Protector **x4**



Metal Support Bar **x1**

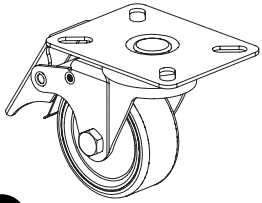


Pre-installed parts  
**c5** Cam Lock **h4** Caster Bracket Snag Free Hinge

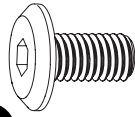


**s7** Stabilizing Foot for O4 Panel (EL model only) **x2**

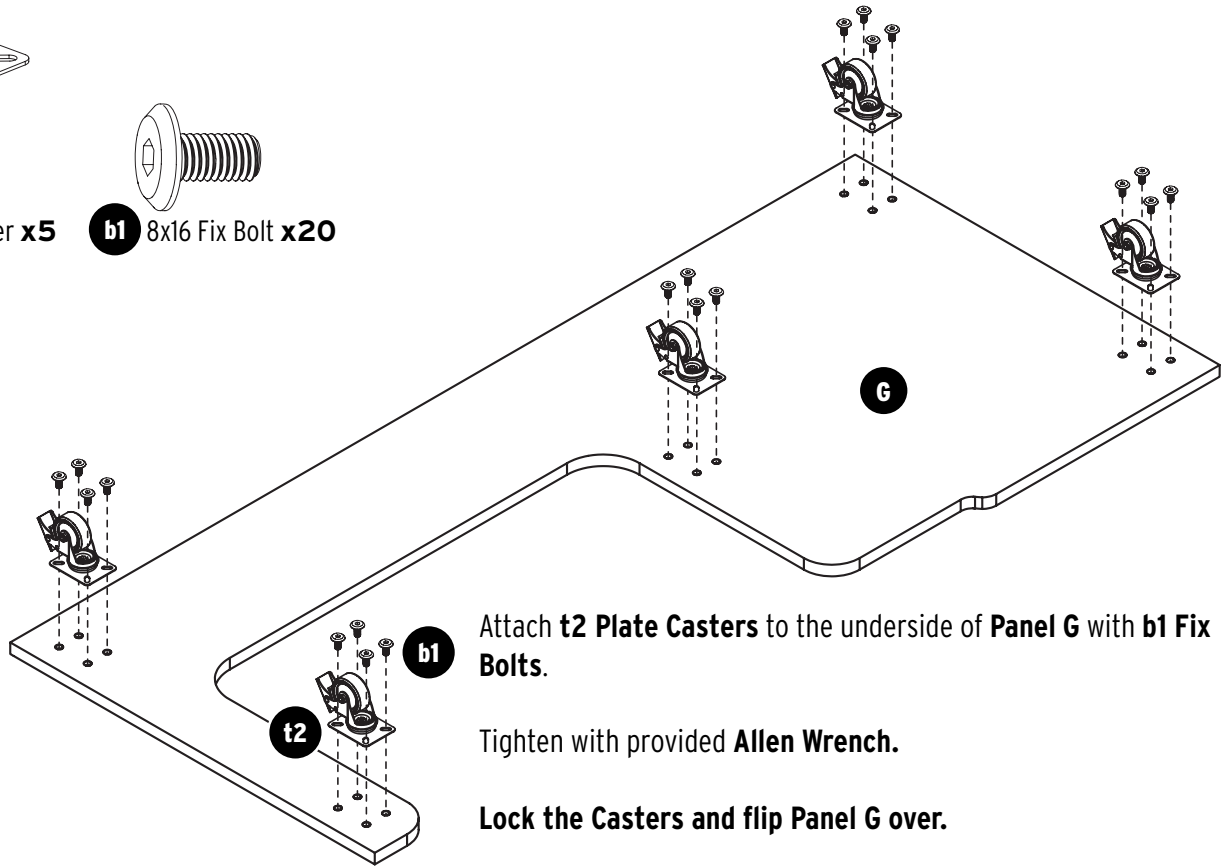
# Step 1: Cabinet Shell



**t2** Locking Plate Caster **x5**



**b1** 8x16 Fix Bolt **x20**



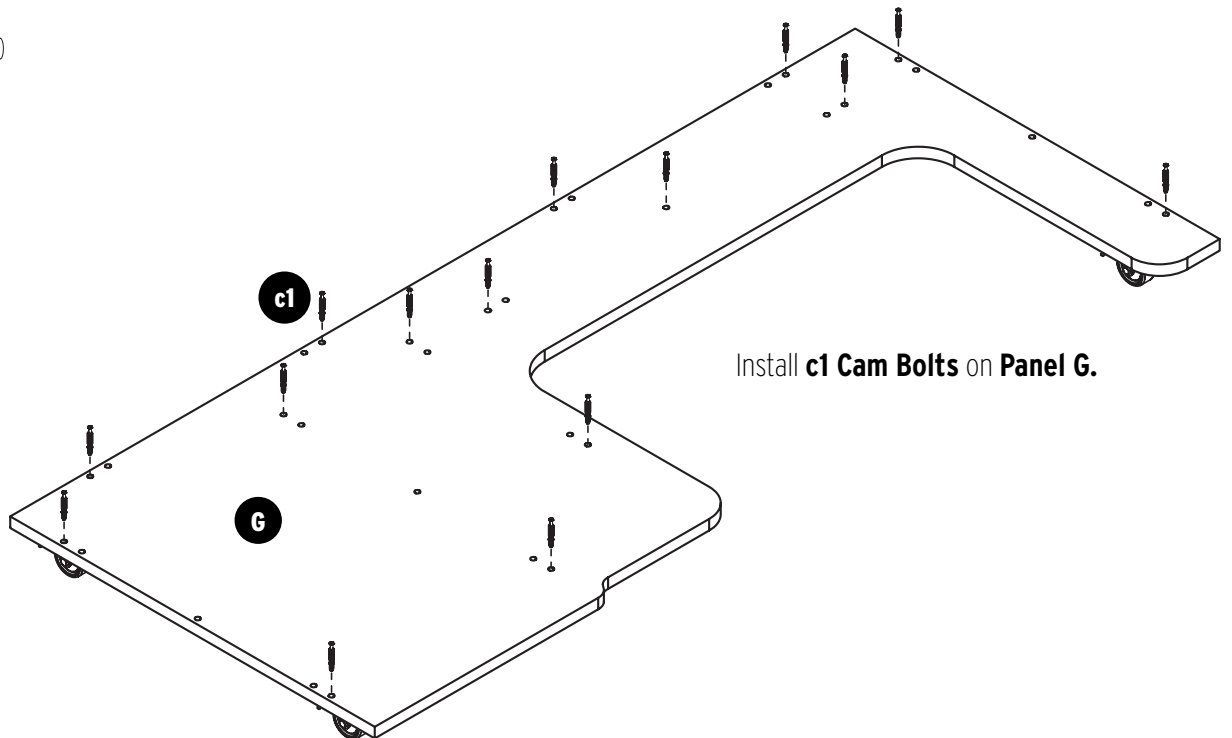
Attach **t2 Plate Casters** to the underside of **Panel G** with **b1 Fix Bolts**.

Tighten with provided **Allen Wrench**.

**Lock the Casters and flip Panel G over.**

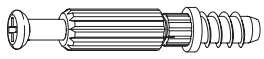


**c1** 6x35 Cam Bolt **x15**

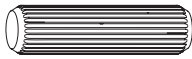


Install **c1 Cam Bolts** on **Panel G**.

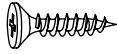
# Step 1: Cabinet Shell



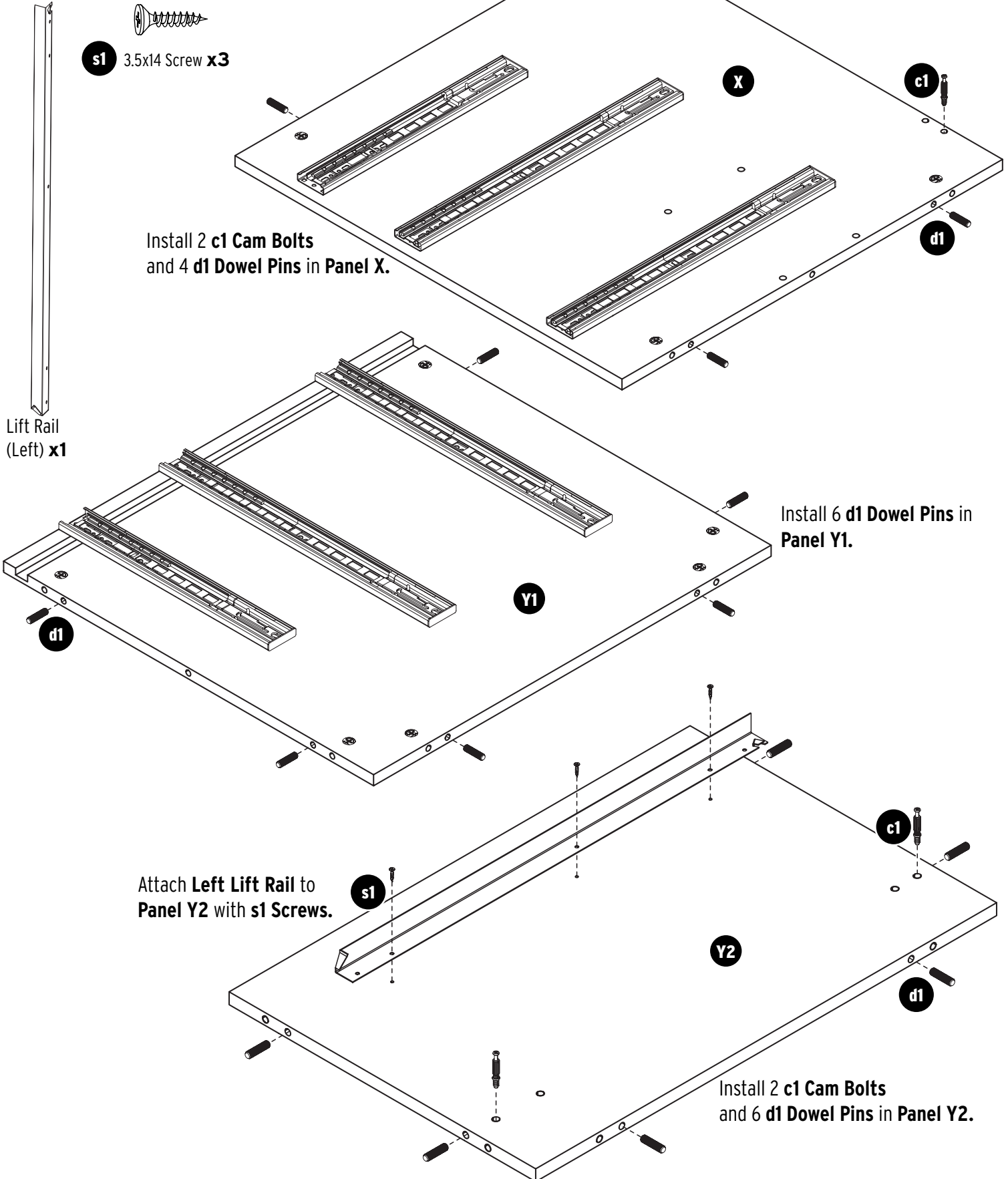
**c1** 6x35 Cam Bolt **x4**



**d1** 8x30 Dowel Pin **x16**



**s1** 3.5x14 Screw **x3**



Install 2 **c1** Cam Bolts and 4 **d1** Dowel Pins in **Panel X**.

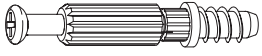
Install 6 **d1** Dowel Pins in **Panel Y1**.

Attach **Left Lift Rail** to **Panel Y2** with **s1** Screws.

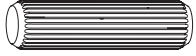
Install 2 **c1** Cam Bolts and 6 **d1** Dowel Pins in **Panel Y2**.

Lift Rail (Left) **x1**

# Step 1: Cabinet Shell



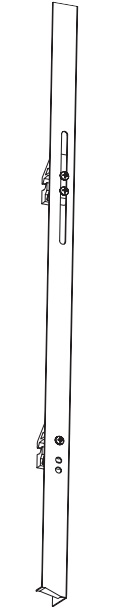
**c1** 6x35 Cam Bolt **x8**



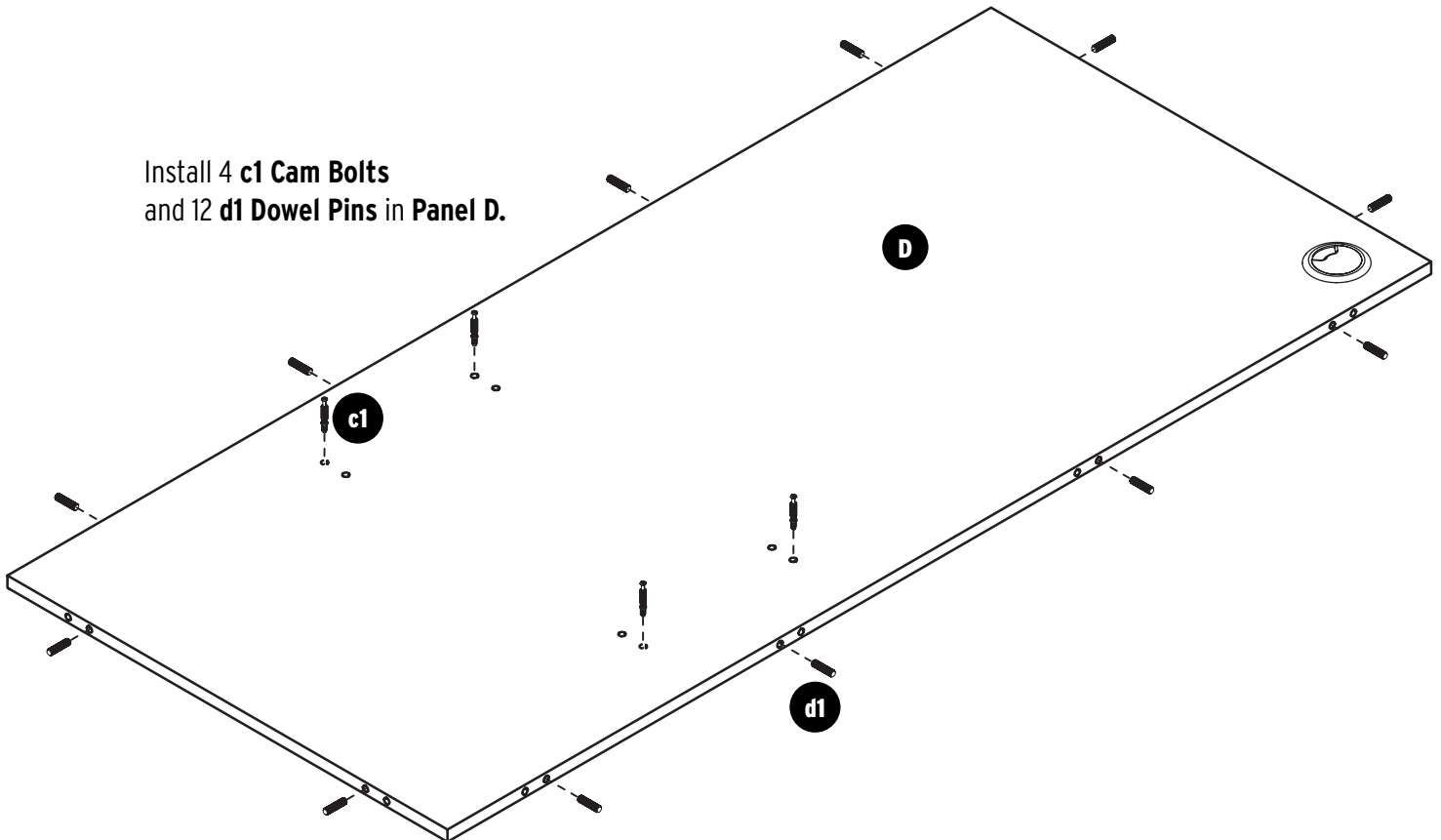
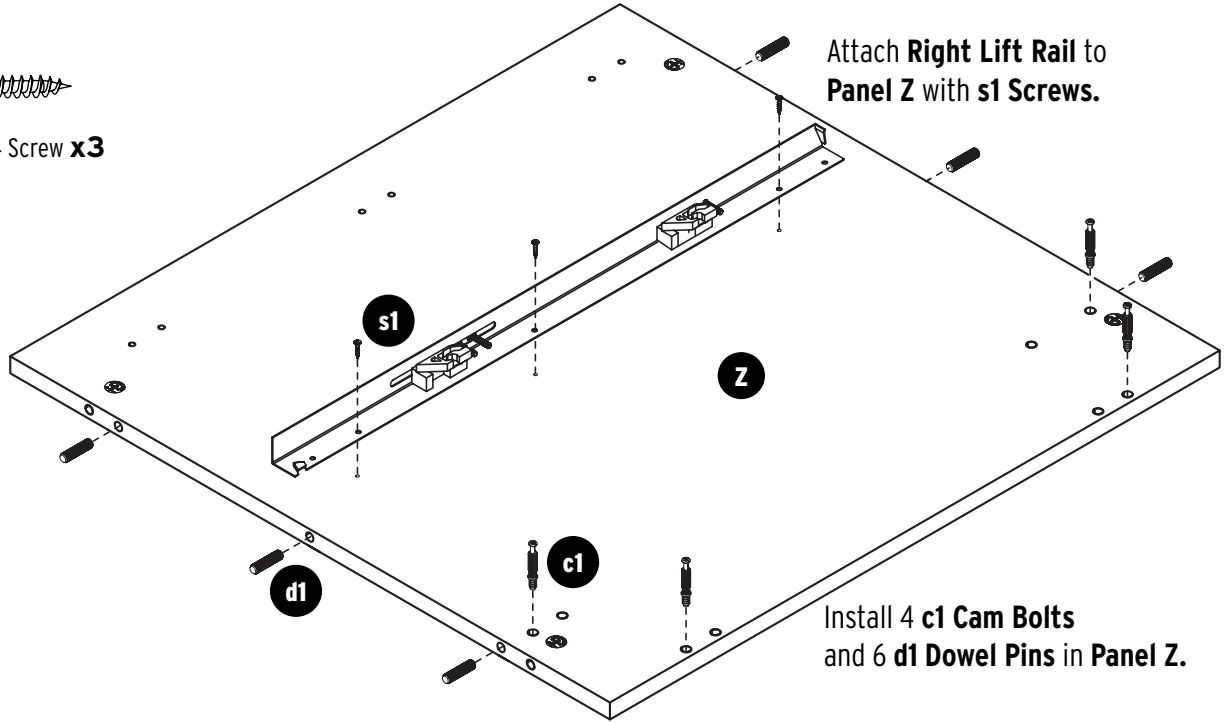
**d1** 8x30 Dowel Pin **x18**



**s1** 3.5x14 Screw **x3**



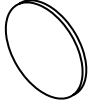
Lift Rail  
(Right) **x1**



# Step 1: Cabinet Shell



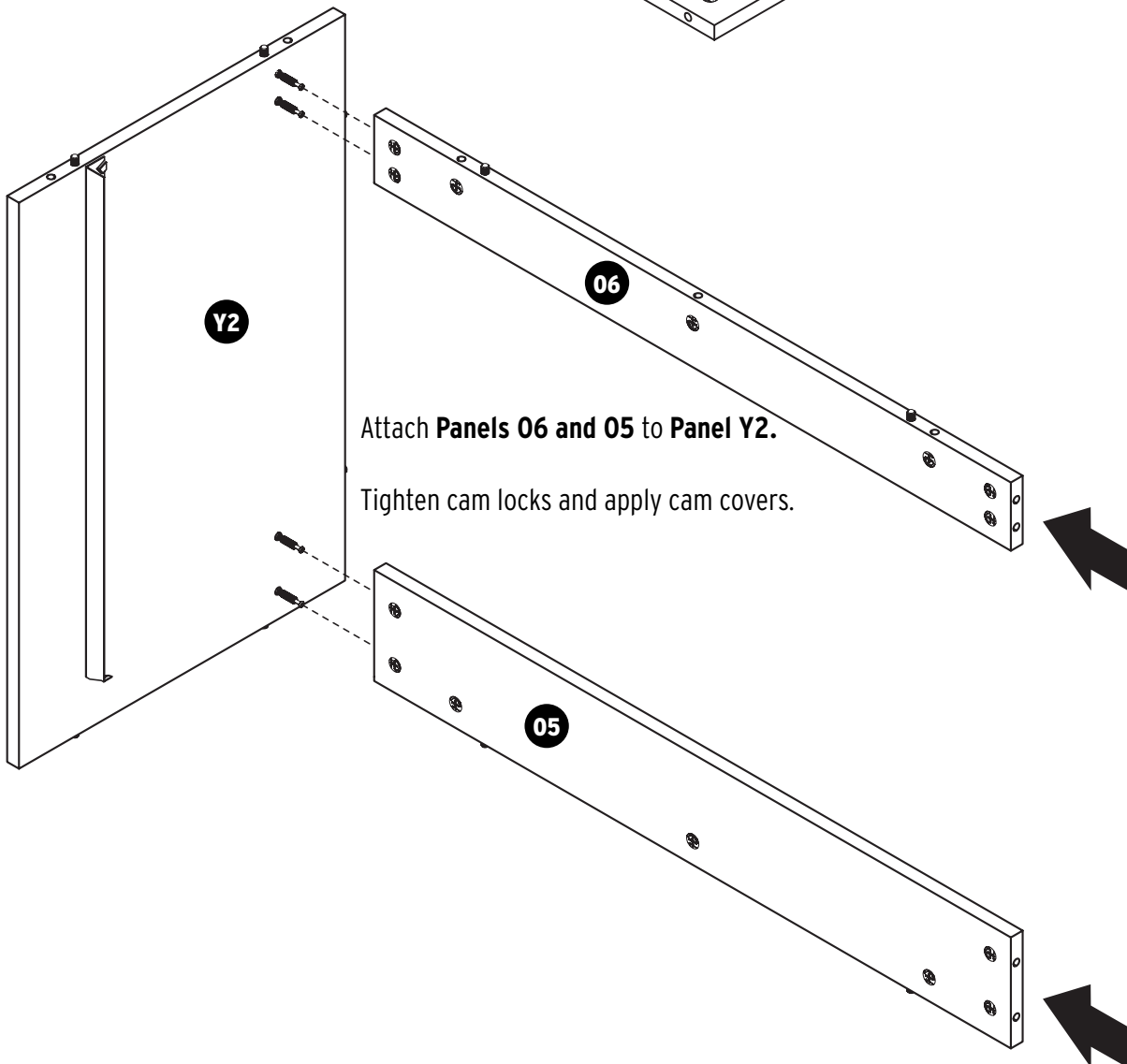
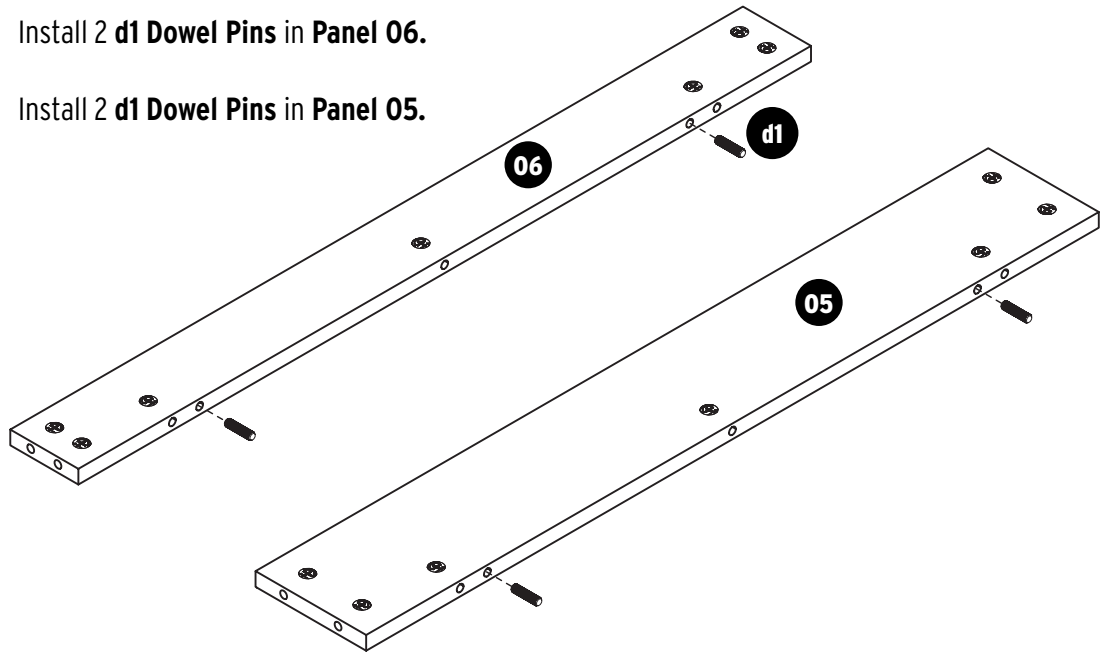
**d1** 8x30 Dowel Pin **x4**



**c2**  $\frac{5}{8}$ " Cam Cover **x4**

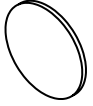
Install 2 **d1 Dowel Pins** in **Panel 06**.

Install 2 **d1 Dowel Pins** in **Panel 05**.





# Step 1: Cabinet Shell



**c2**  $\frac{5}{8}$ " Cam Cover **x2**

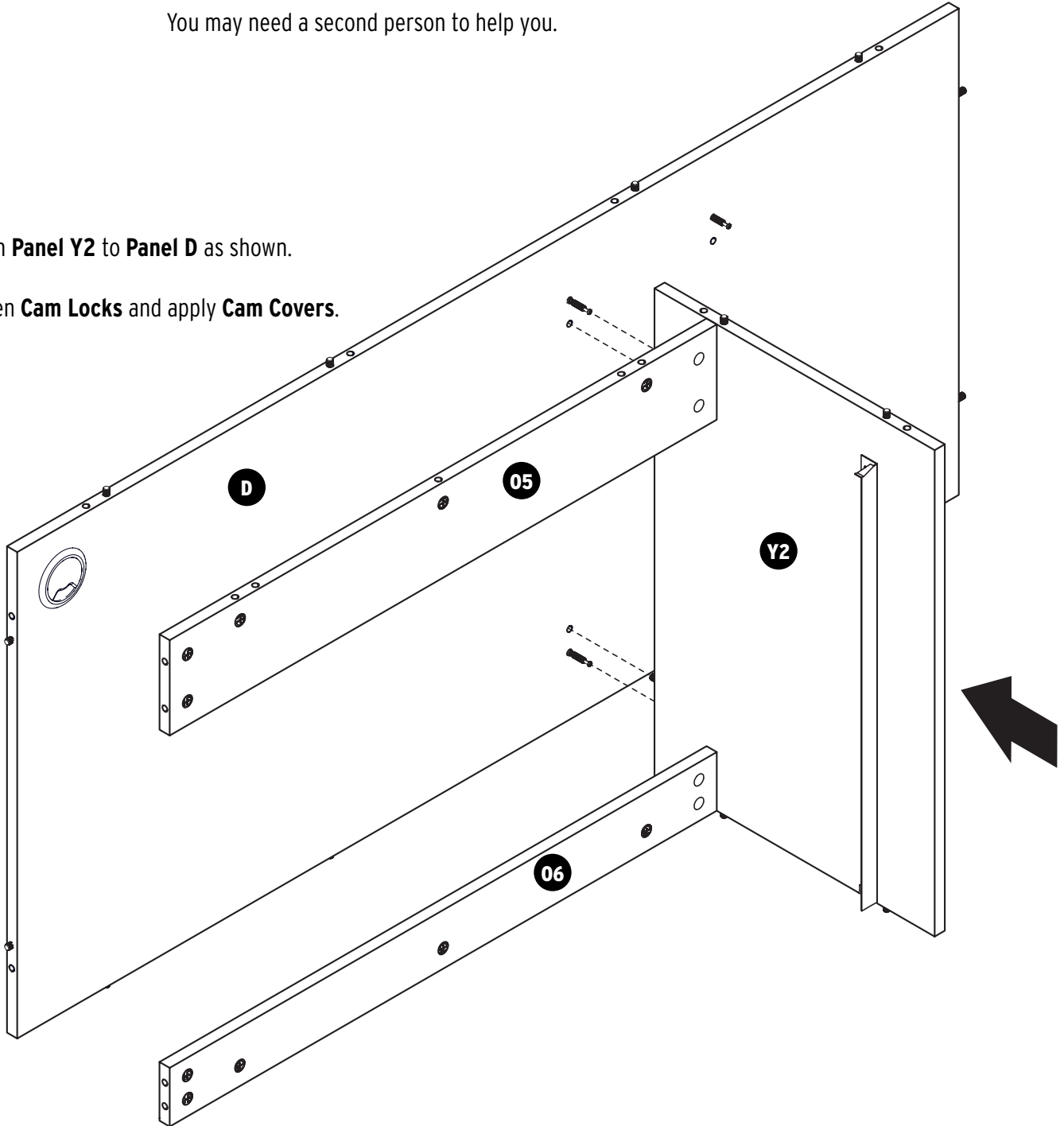
**NOTE:** The illustrations shown through Page 11 show upside down assembly. Assembling these panels upside down will make attaching the bottom (**Panel G**) easier.

Once the bottom is attached, you will flip the cabinet over.


You may need a second person to help you.

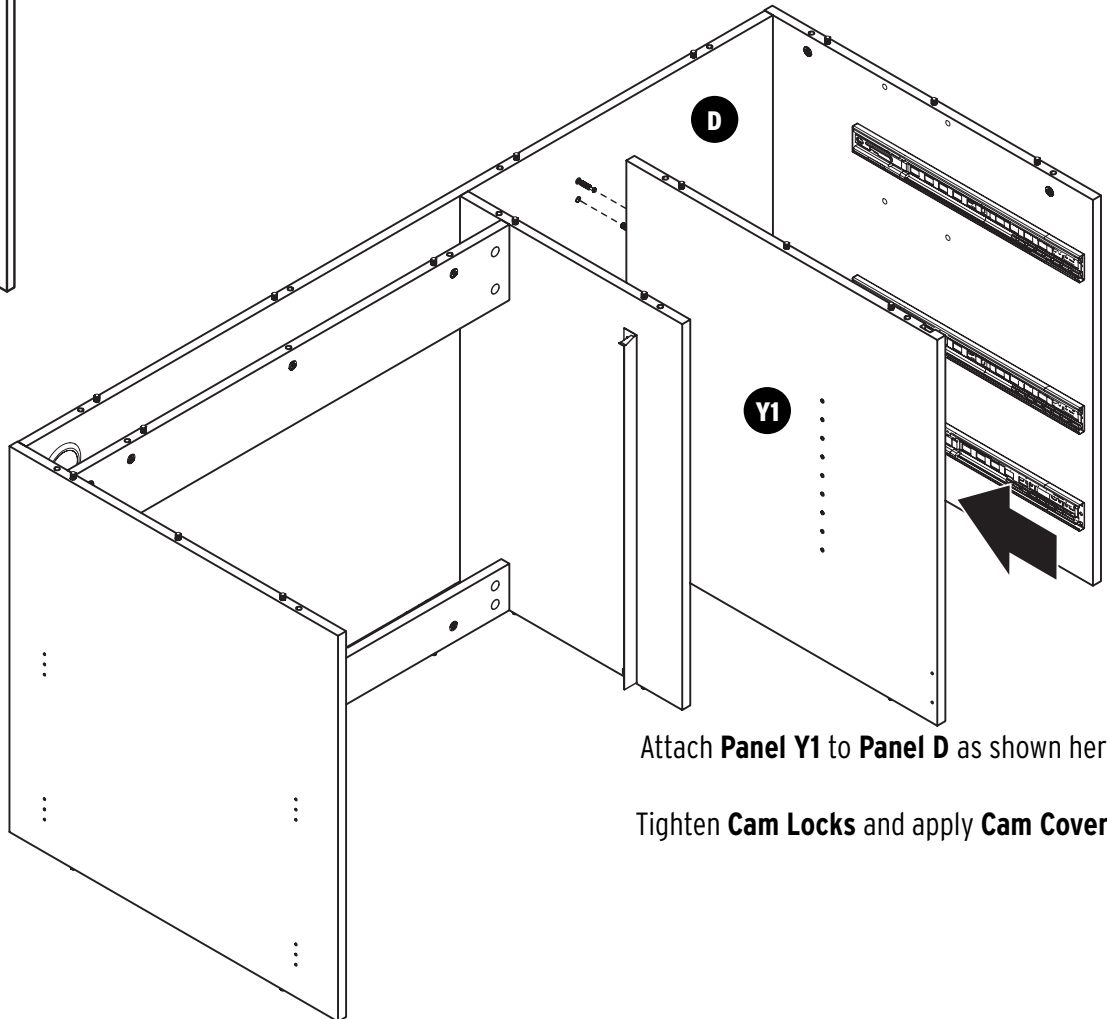
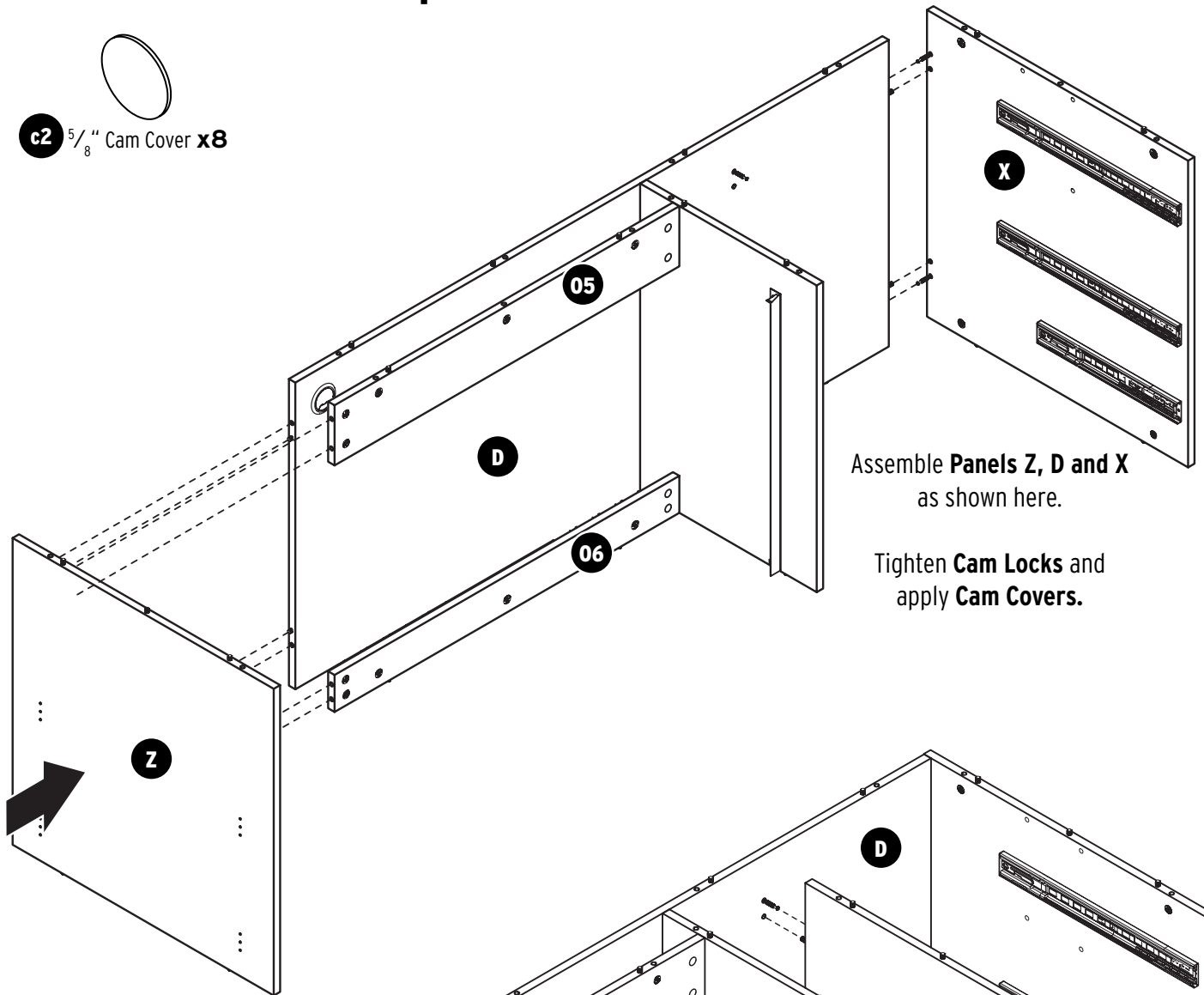
Attach **Panel Y2** to **Panel D** as shown.

Tighten **Cam Locks** and apply **Cam Covers**.



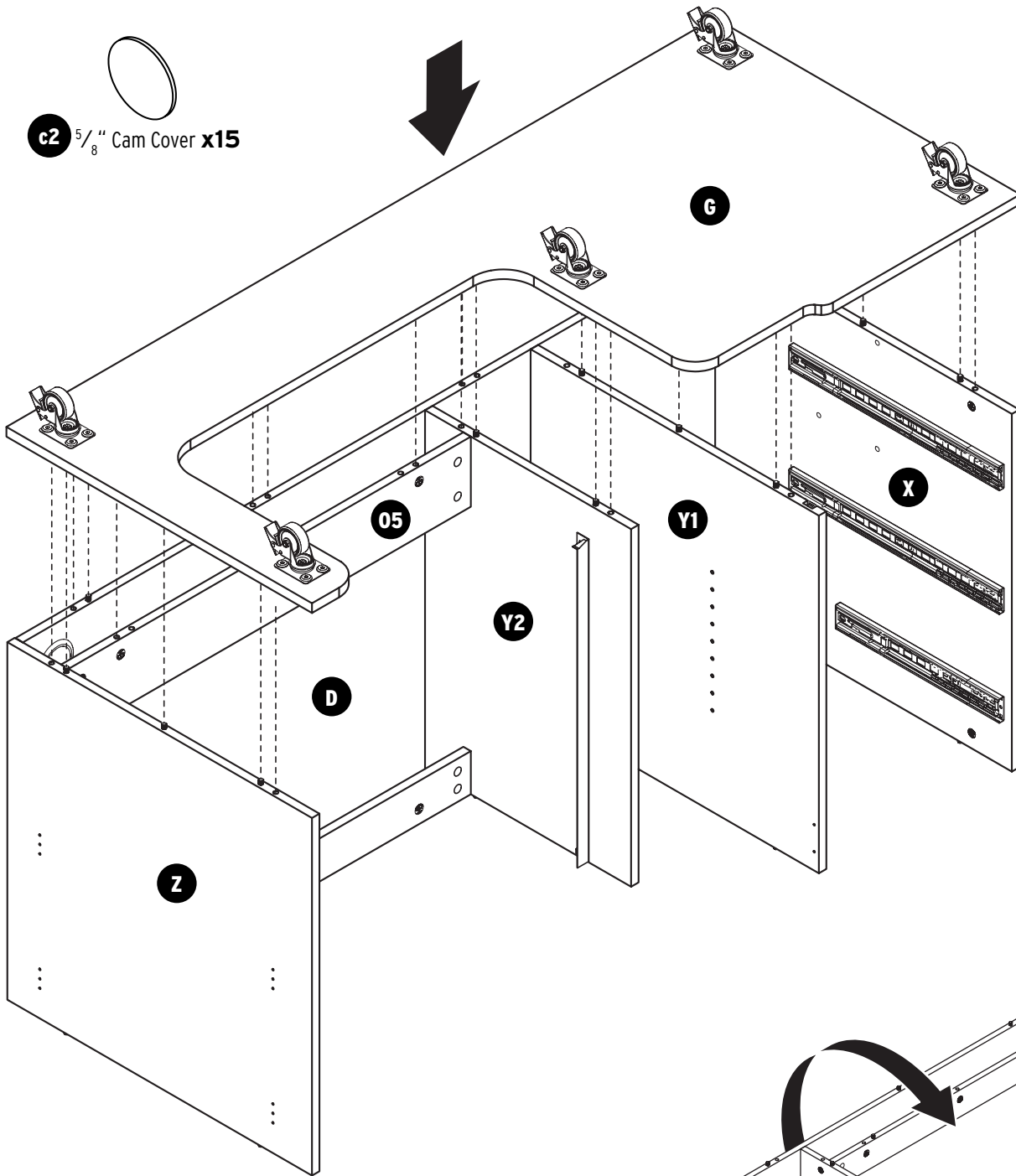
# Step 1: Cabinet Shell

  
**c2**  $\frac{5}{8}$ " Cam Cover **x8**



# Step 1: Cabinet Shell

**c2**  $\frac{5}{8}$ " Cam Cover **x15**



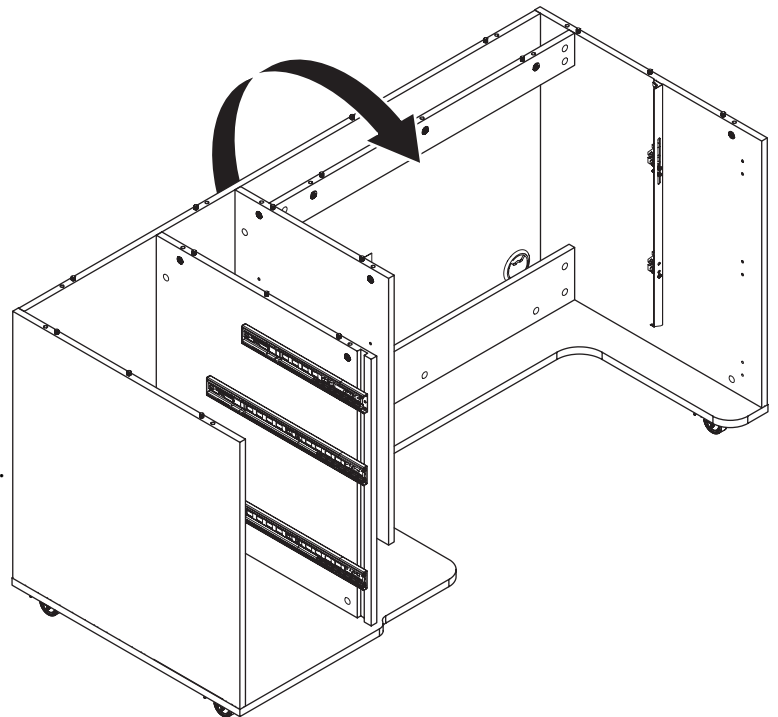
Attach **Panel G** as shown, carefully lining up Cam Bolts in **Panel G** with Cam Locks on **Panels Z, D, O5, Y2, Y1 and X.**

You may need a second person to help you.

Tighten **Cam Locks** and cover with **Cam Covers.**

Make sure **Casters** are locked and flip the cabinet over.

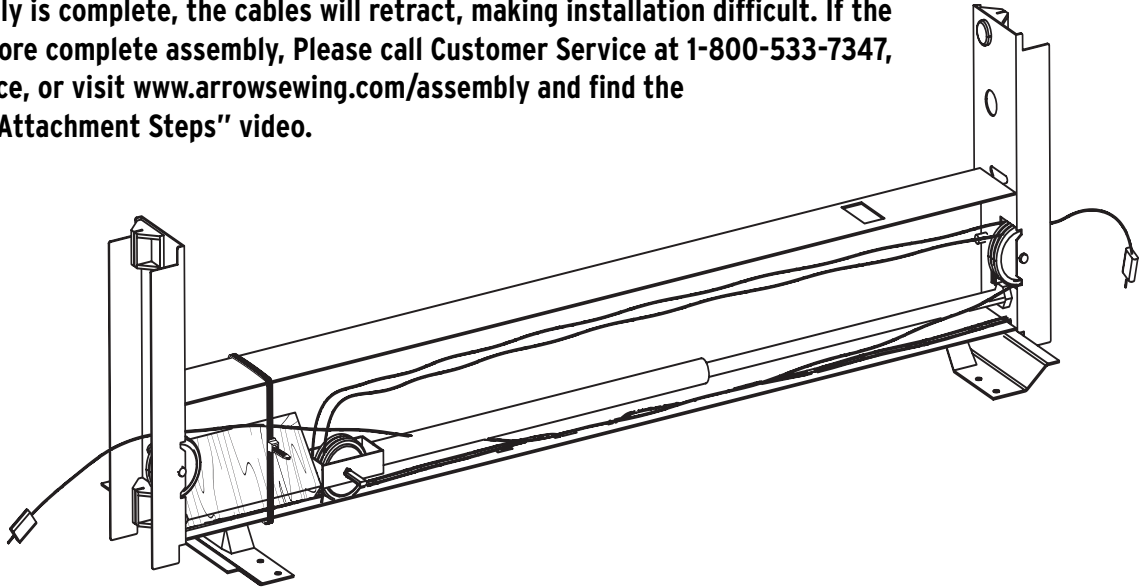
You may need a second person to help you.



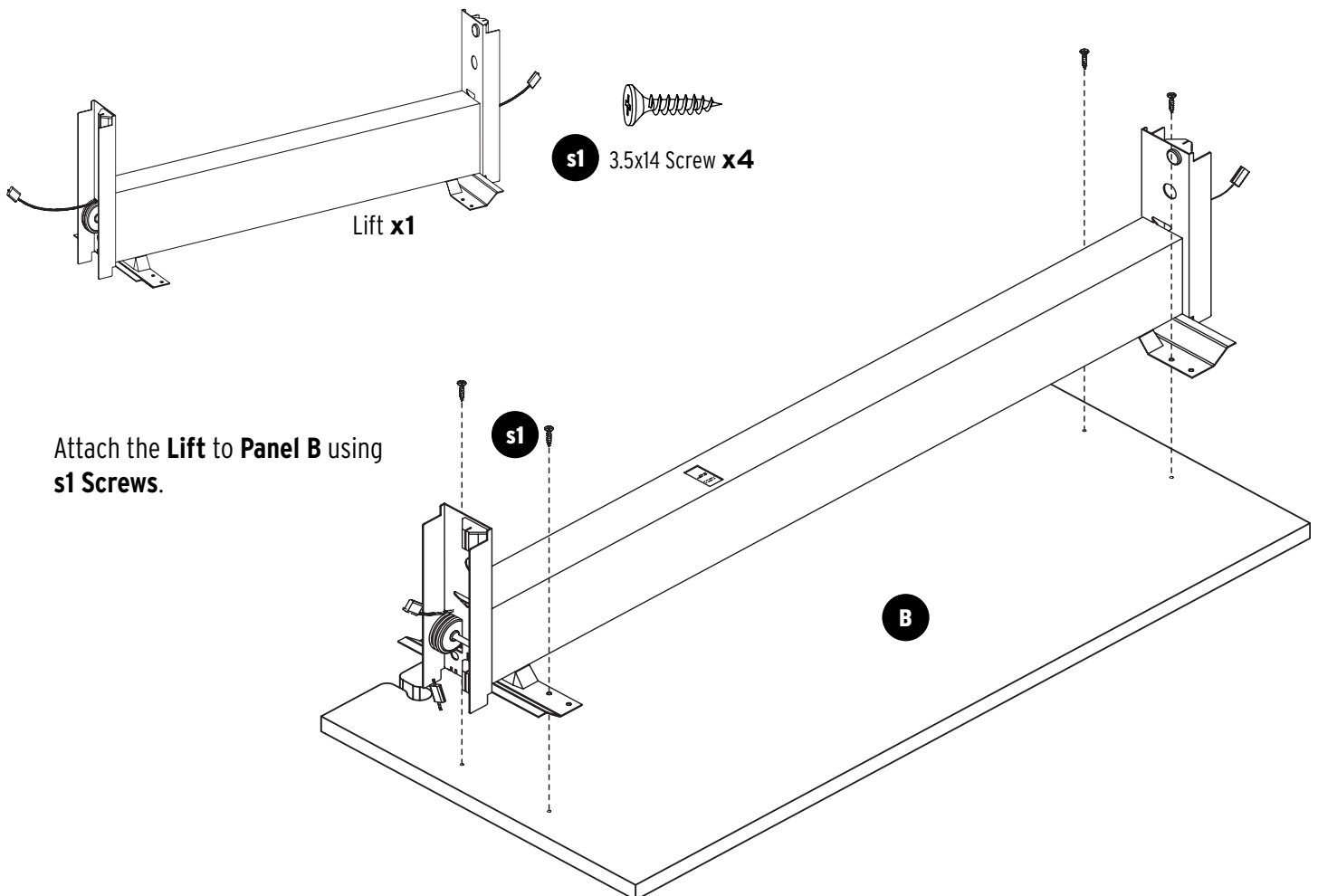
# Step 2: Lift Installation

## LIFT INSTALLATION WARNING:

DO NOT remove the small wooden block from the Lift until assembly is complete. If the block is removed or falls out before lift assembly is complete, the cables will retract, making installation difficult. If the block falls out before complete assembly, Please call Customer Service at 1-800-533-7347, ext. 1 for assistance, or visit [www.arrowsewing.com/assembly](http://www.arrowsewing.com/assembly) and find the "Alternate Airlift Attachment Steps" video.



This illustration shows the back view of the **Lift**. Notice the wooden block and zip tie; the wooden block holds the piston in place so that the cables can be easily handled and inserted into the **Lift Rails** installed on your cabinet.



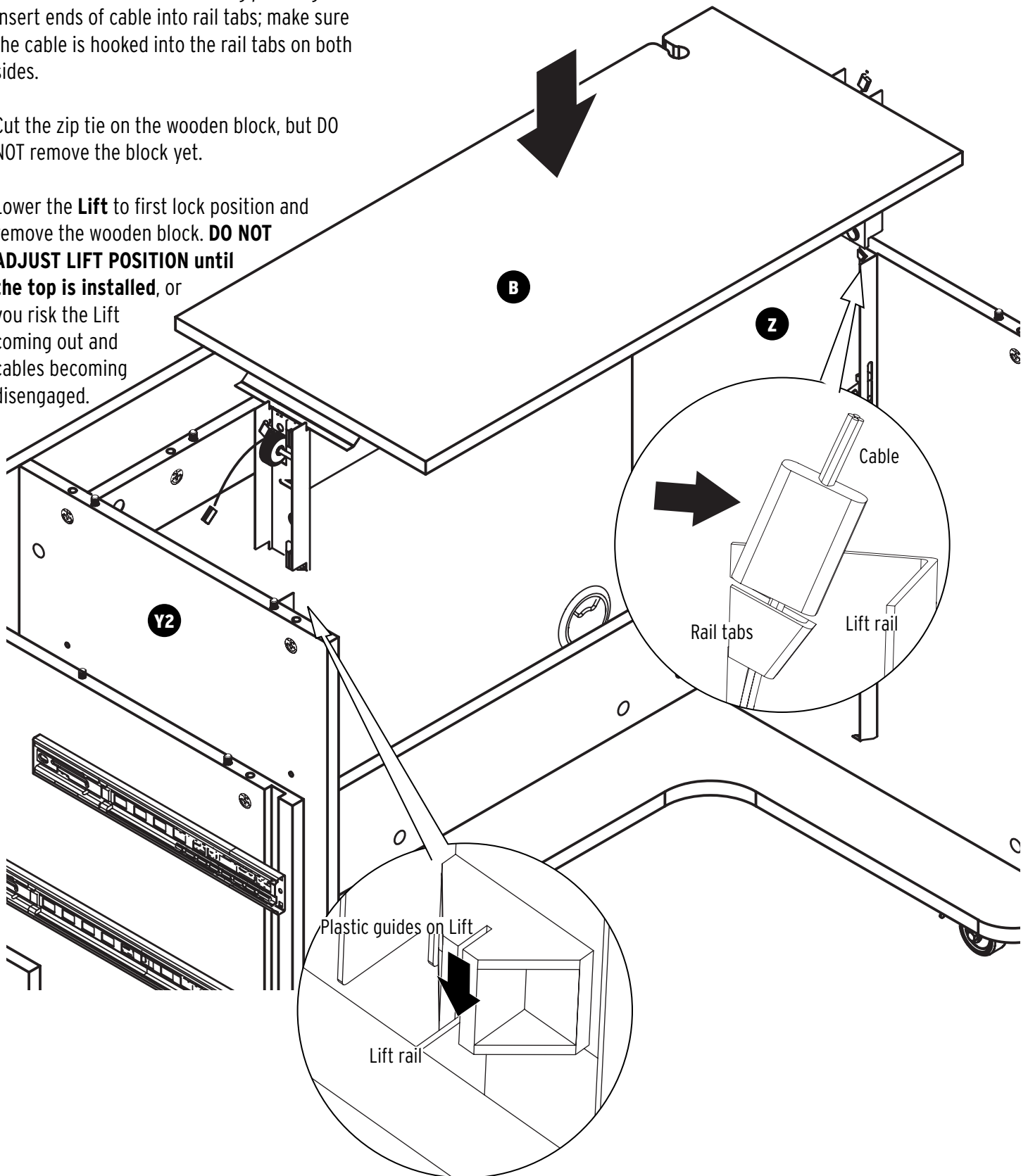
Attach the **Lift** to **Panel B** using **s1** Screws.

## Step 2: Lift Installation

Guide **Lift** onto **Lift Rails** using plastic guides. Insert ends of cable into rail tabs; make sure the cable is hooked into the rail tabs on both sides.

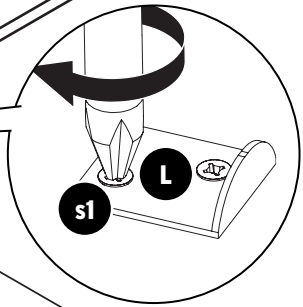
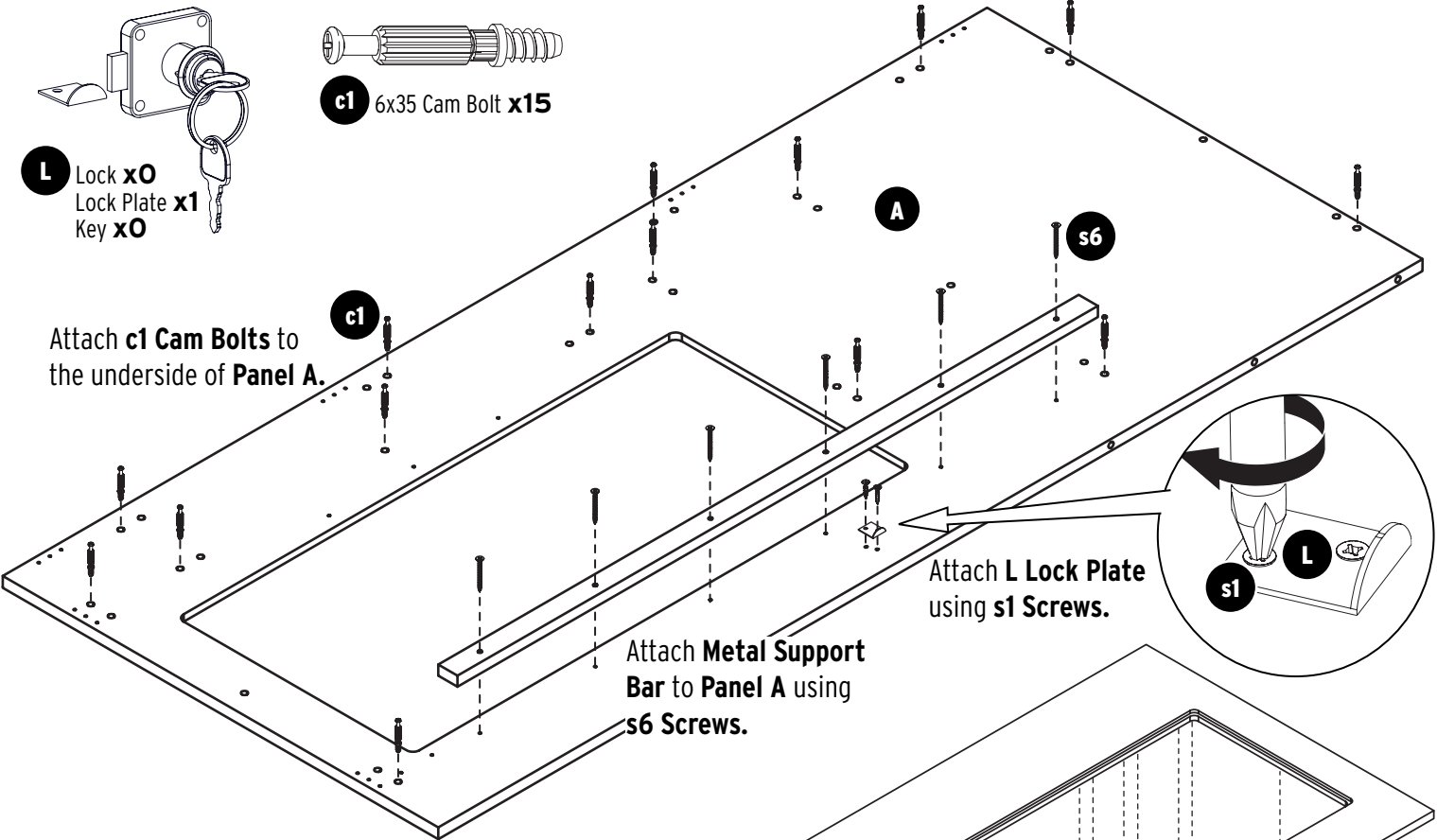
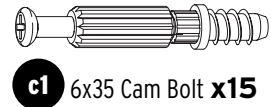
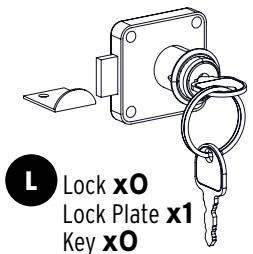
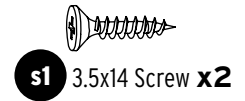
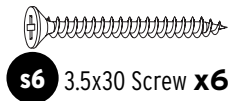
Cut the zip tie on the wooden block, but **DO NOT** remove the block yet.

Lower the **Lift** to first lock position and remove the wooden block. **DO NOT ADJUST LIFT POSITION until the top is installed**, or you risk the Lift coming out and cables becoming disengaged.



**REMINDER:** Our Customer Service Team is available for any assembly related questions. Please call 1-800-533-7347, ext. 1 to speak with an Assembly Expert.

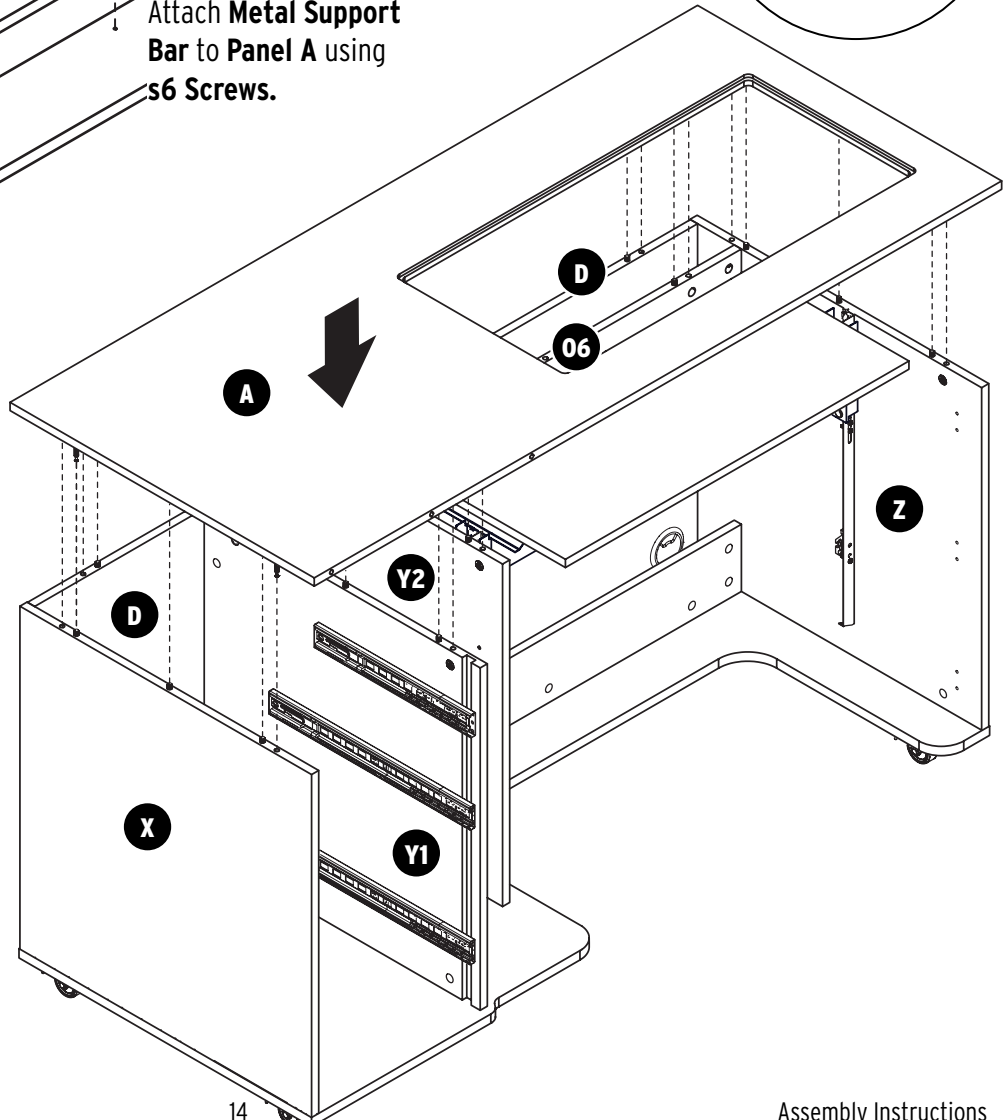
# Step 3: Top and Leaves



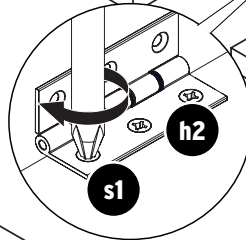
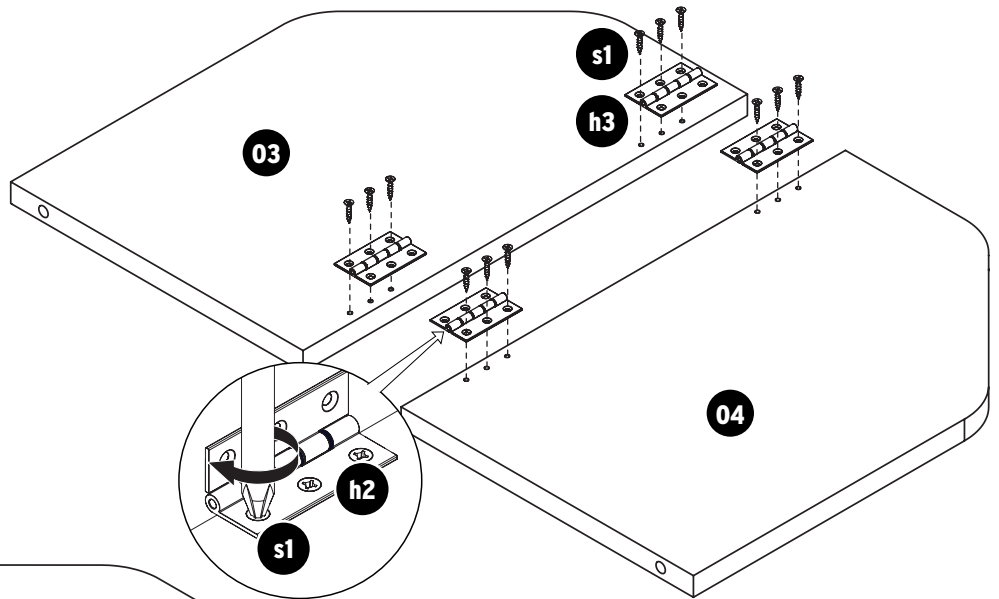
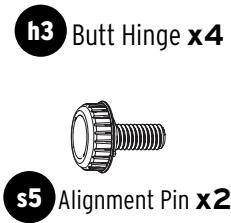
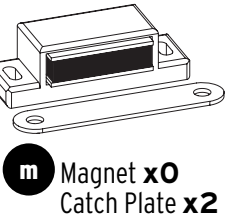
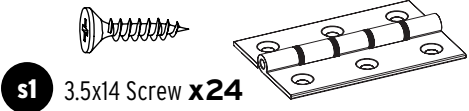
Attach **Panel A** as shown, carefully lining up Cam Bolts in **Panel A** with Cam Locks on **Panels Z, D, 06, Y2, Y1** and **X**.

You may need a second person to help you.

Tighten **Cam Locks** and cover with **Cam Covers**.



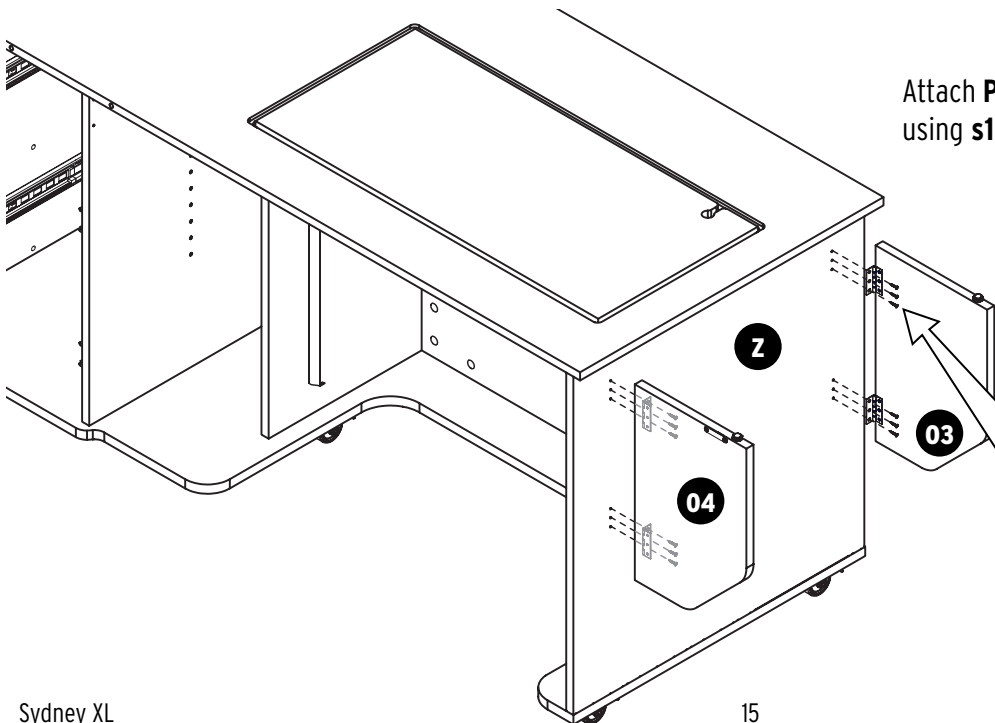
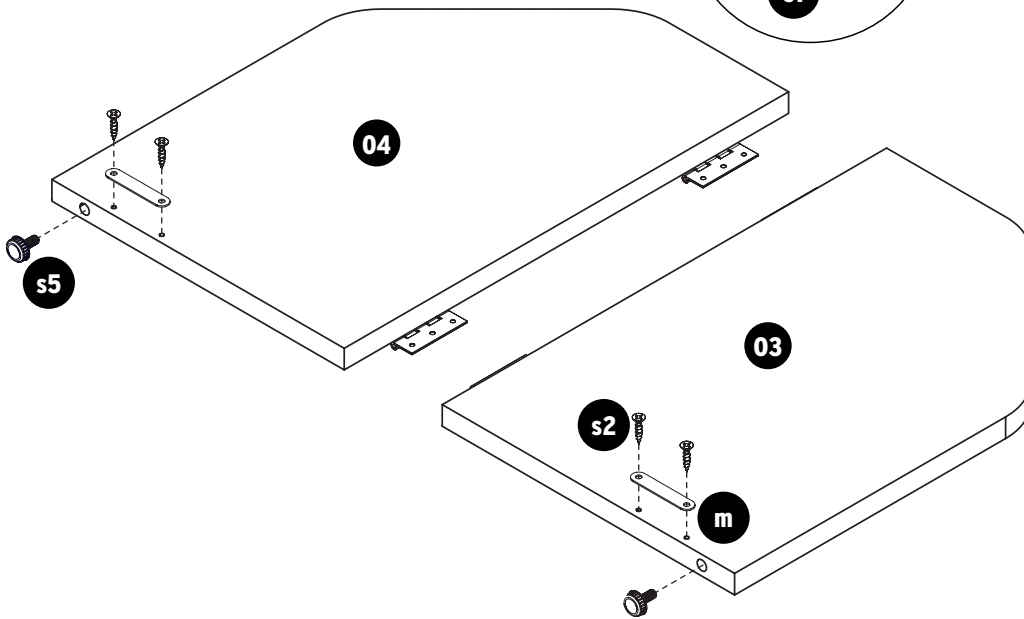
# Step 3: Top and Leaves



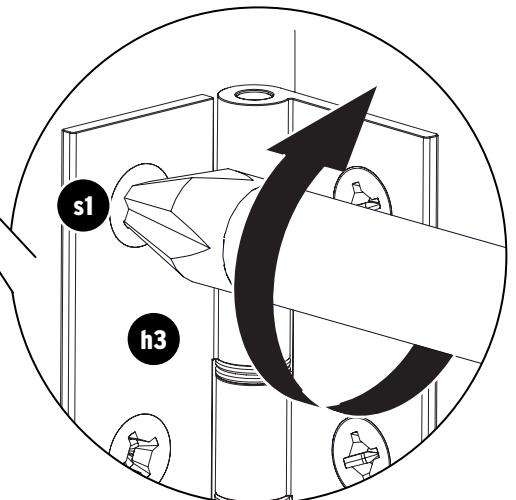
Attach **h3 Butt Hinges** to **Panels 03 and 04**, using **s1 Screws**.

Flip panels over and attach **m Magnet Catch Plates** using **s2 Screws**.

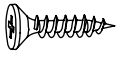
Attach **s5 Alignment Pins**.



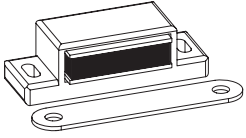
Attach **Panels 03 and 04** to **Panel Z** using **s1 Screws**.



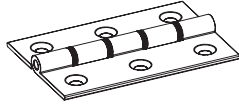
# Step 3: Top and Leaves



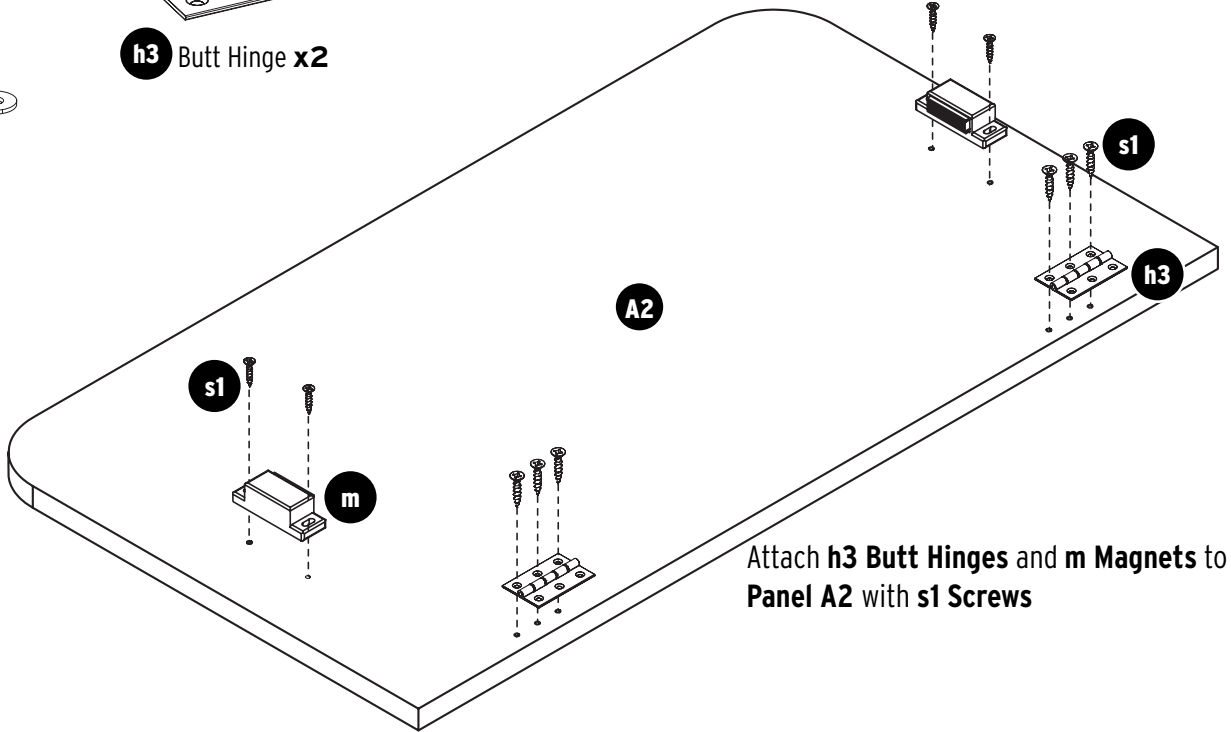
**s1** 3.5x14 Screw **x16**



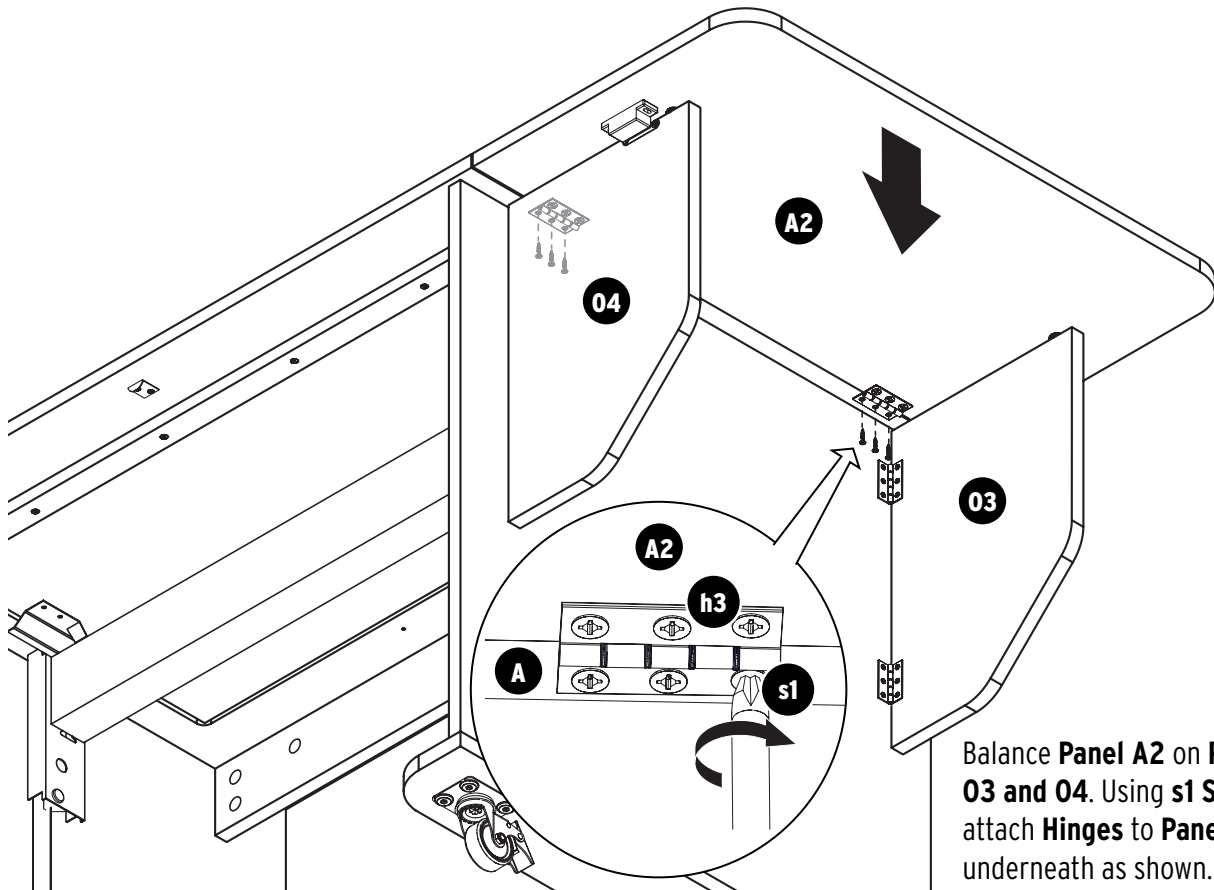
**m** Magnet **x2**  
Catch Plate **x0**



**h3** Butt Hinge **x2**



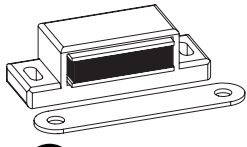
Attach **h3** Butt Hinges and **m** Magnets to **Panel A2** with **s1** Screws



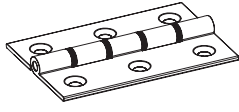
Balance **Panel A2** on **Panels 03** and **04**. Using **s1** Screws, attach **Hinges** to **Panel A** from underneath as shown.



# Step 3: Top and Leaves



**m** Magnet **x0**  
Catch Plate **x2**



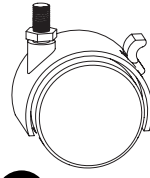
**h3** Butt Hinge **x4**



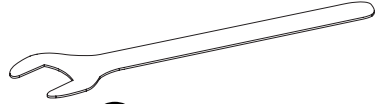
**s1** 3.5x14 Screw **x12**



**s5** Alignment Pin **x2**



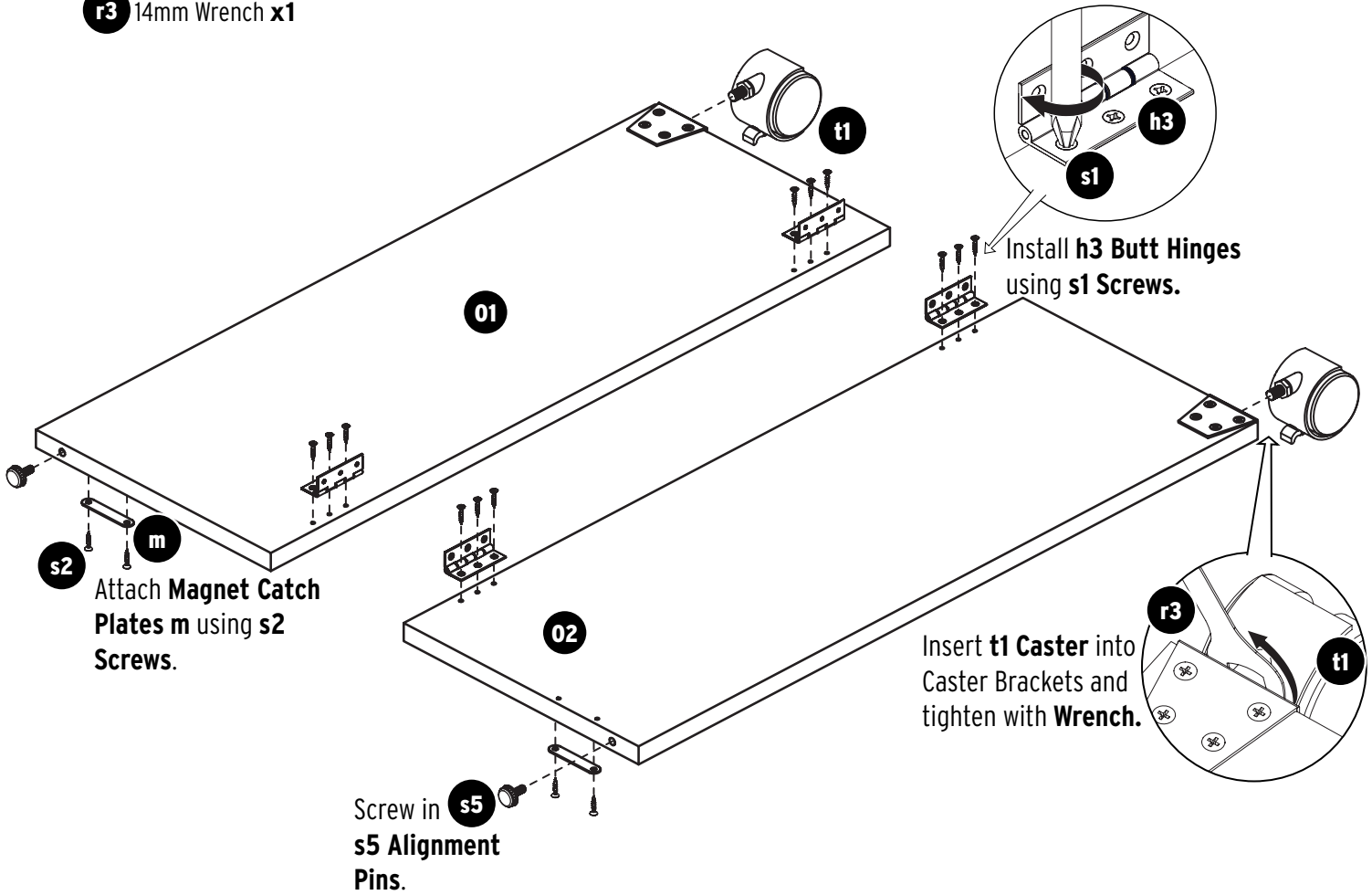
**t1** Caster **x2**



**r3** 14mm Wrench **x1**



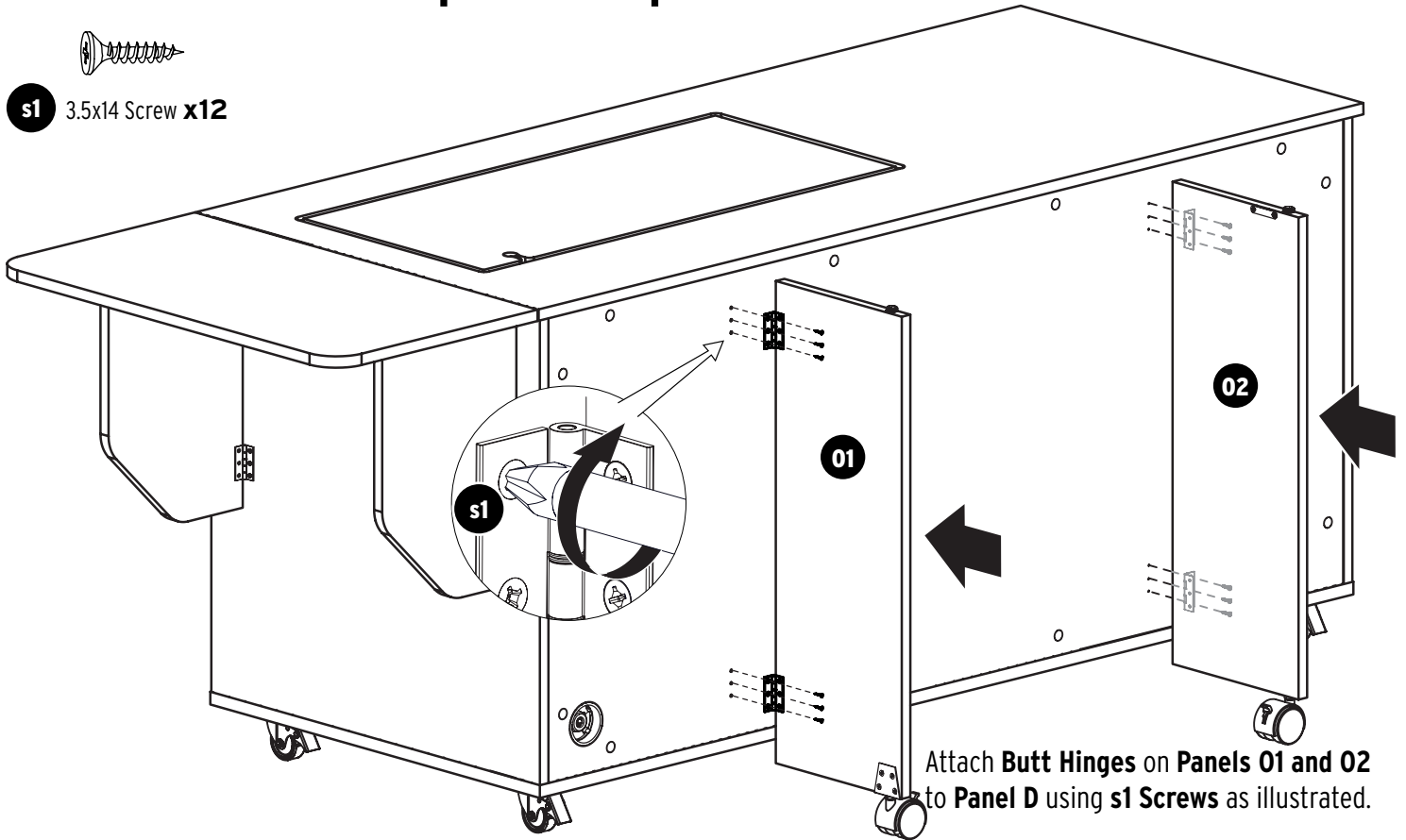
**s2** 3x14 Screw **x4**



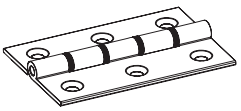
# Step 3: Top and Leaves



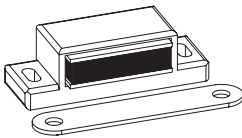
**s1** 3.5x14 Screw **x12**



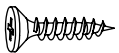
Attach **Butt Hinges** on **Panels 01 and 02** to **Panel D** using **s1 Screws** as illustrated.



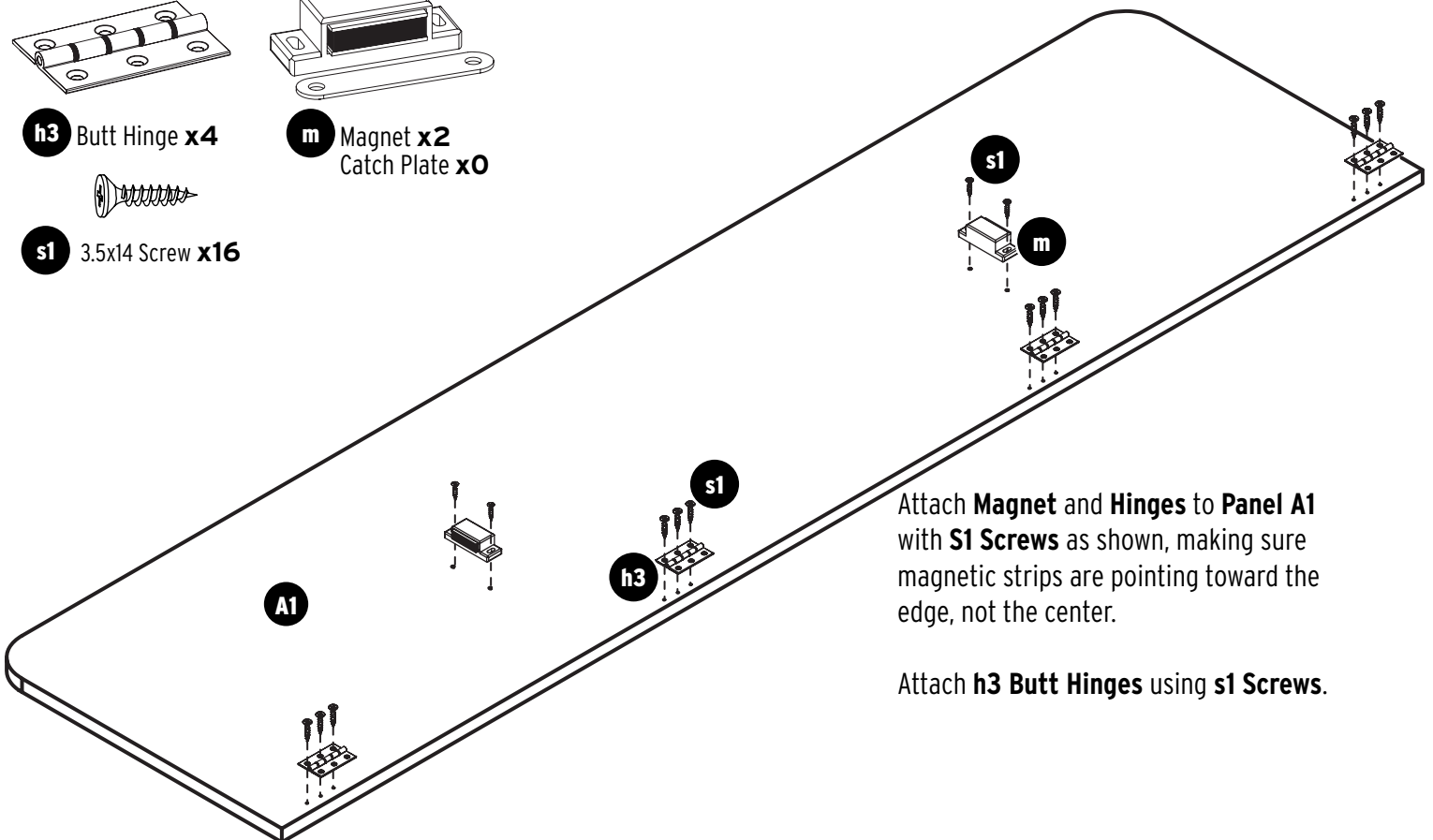
**h3** Butt Hinge **x4**



**m** Magnet **x2**  
**c** Catch Plate **x0**



**s1** 3.5x14 Screw **x16**



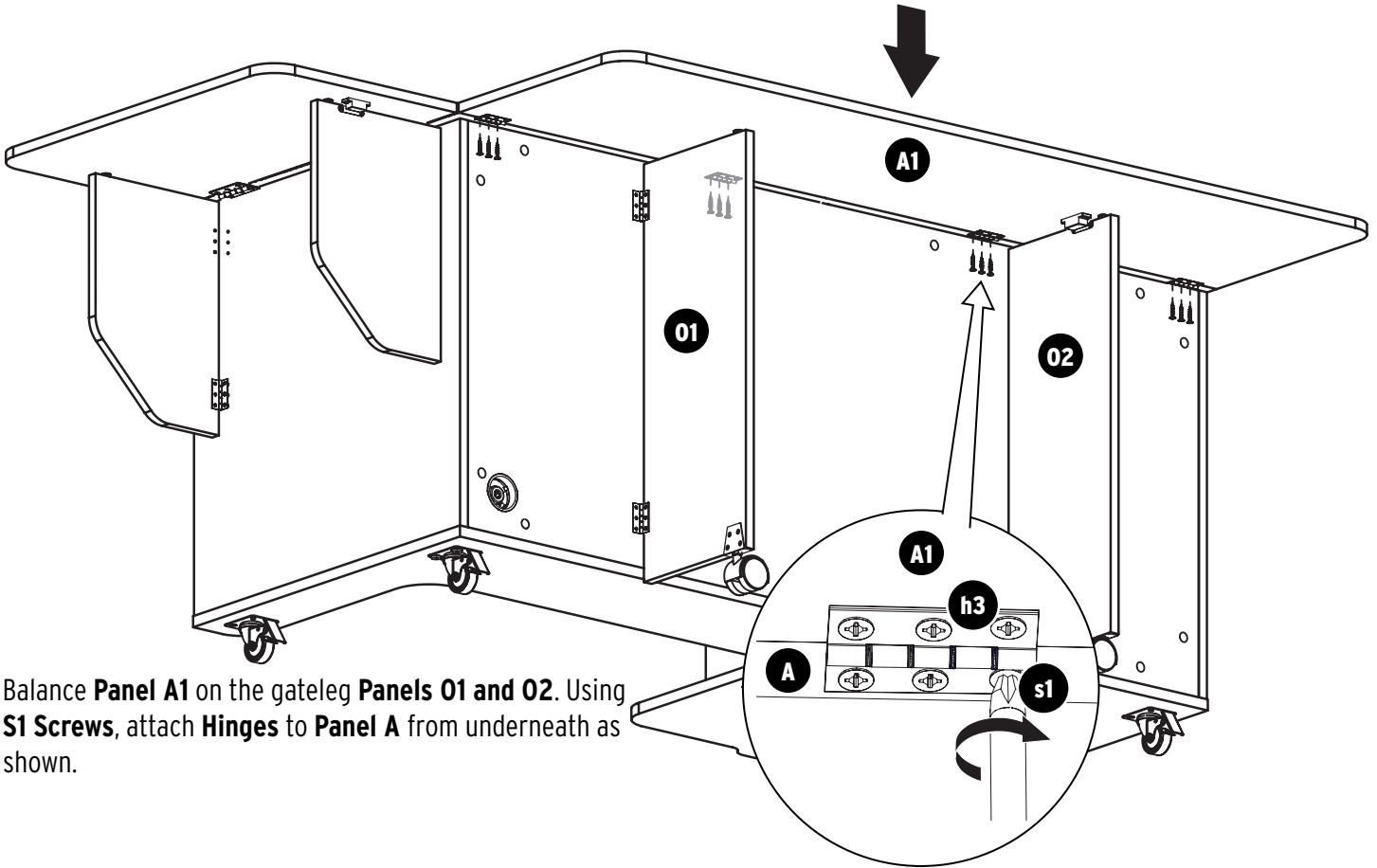
Attach **Magnet** and **Hinges** to **Panel A1** with **S1 Screws** as shown, making sure magnetic strips are pointing toward the edge, not the center.

Attach **h3 Butt Hinges** using **s1 Screws**.

# Step 3: Top and Leaves

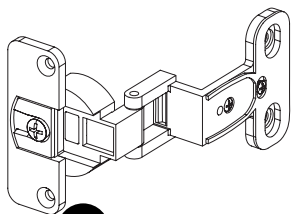


**s1** 3.5x14 Screw **x12**

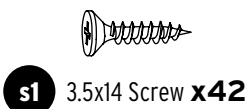


Balance **Panel A1** on the gateleg **Panels 01 and 02**. Using **S1 Screws**, attach **Hinges** to **Panel A** from underneath as shown.

# Step 4: Tabletop Doors



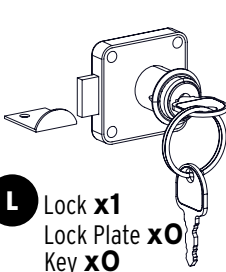
**g1** Hinge Body **x3**



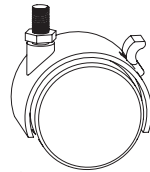
**s1** 3.5x14 Screw **x42**



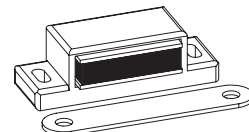
**s2** 3x14 Screw **x4**



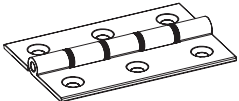
**L** Lock **x1**  
Lock Plate **x0**  
Key **x0**



**t1** Caster **x2**



**m** Magnet **x0**  
Catch Plate **x2**



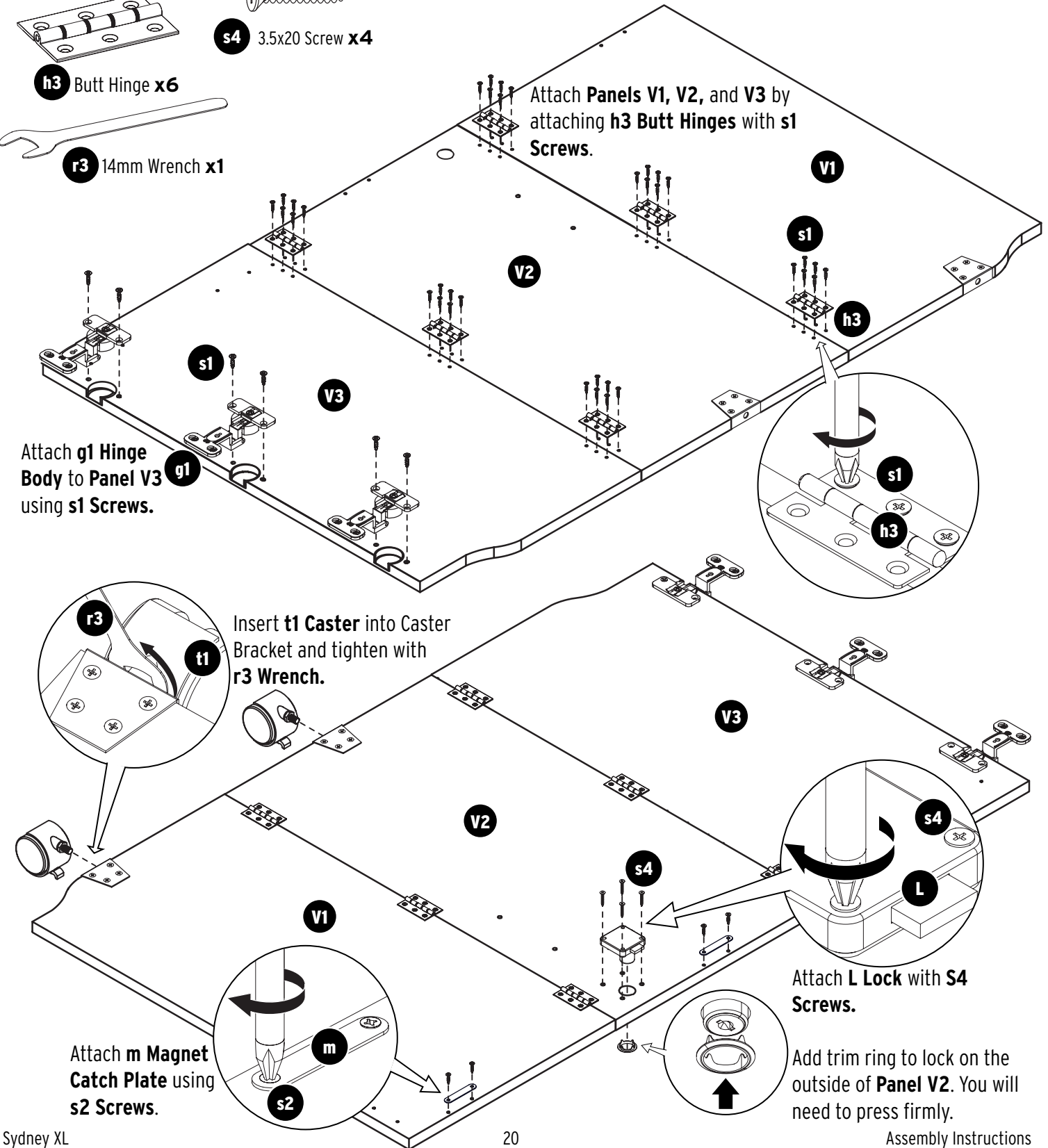
**h3** Butt Hinge **x6**



**s4** 3.5x20 Screw **x4**



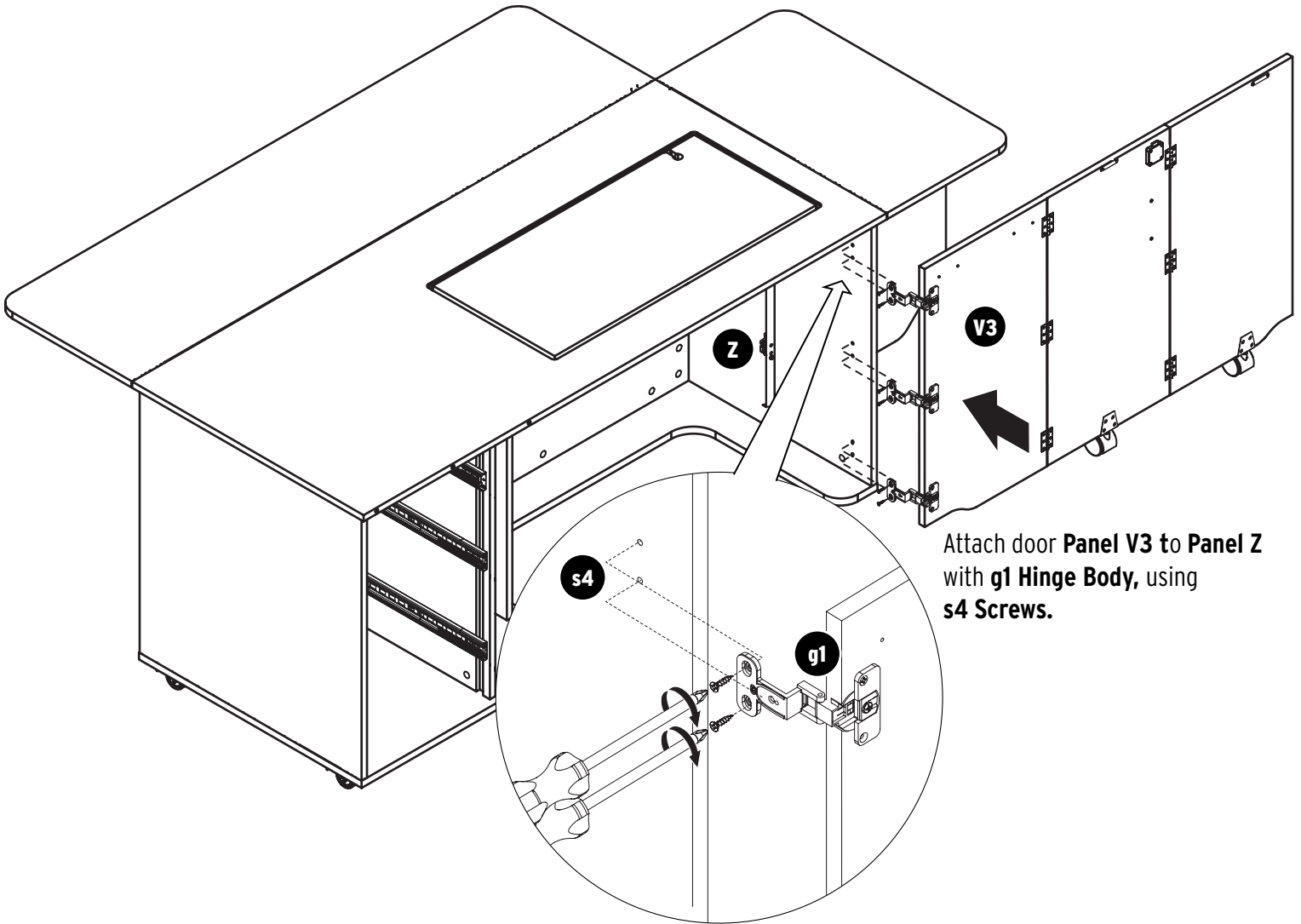
**r3** 14mm Wrench **x1**



# Step 4: Tabletop Doors



**s4** 3.5x20 Screw **x6**



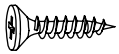
# Step 4: Tabletop Doors



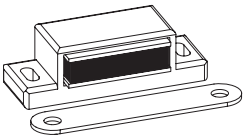
**h** Handle **x1**



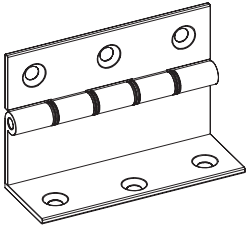
**b2** 4x20 Fix Bolt **x2**



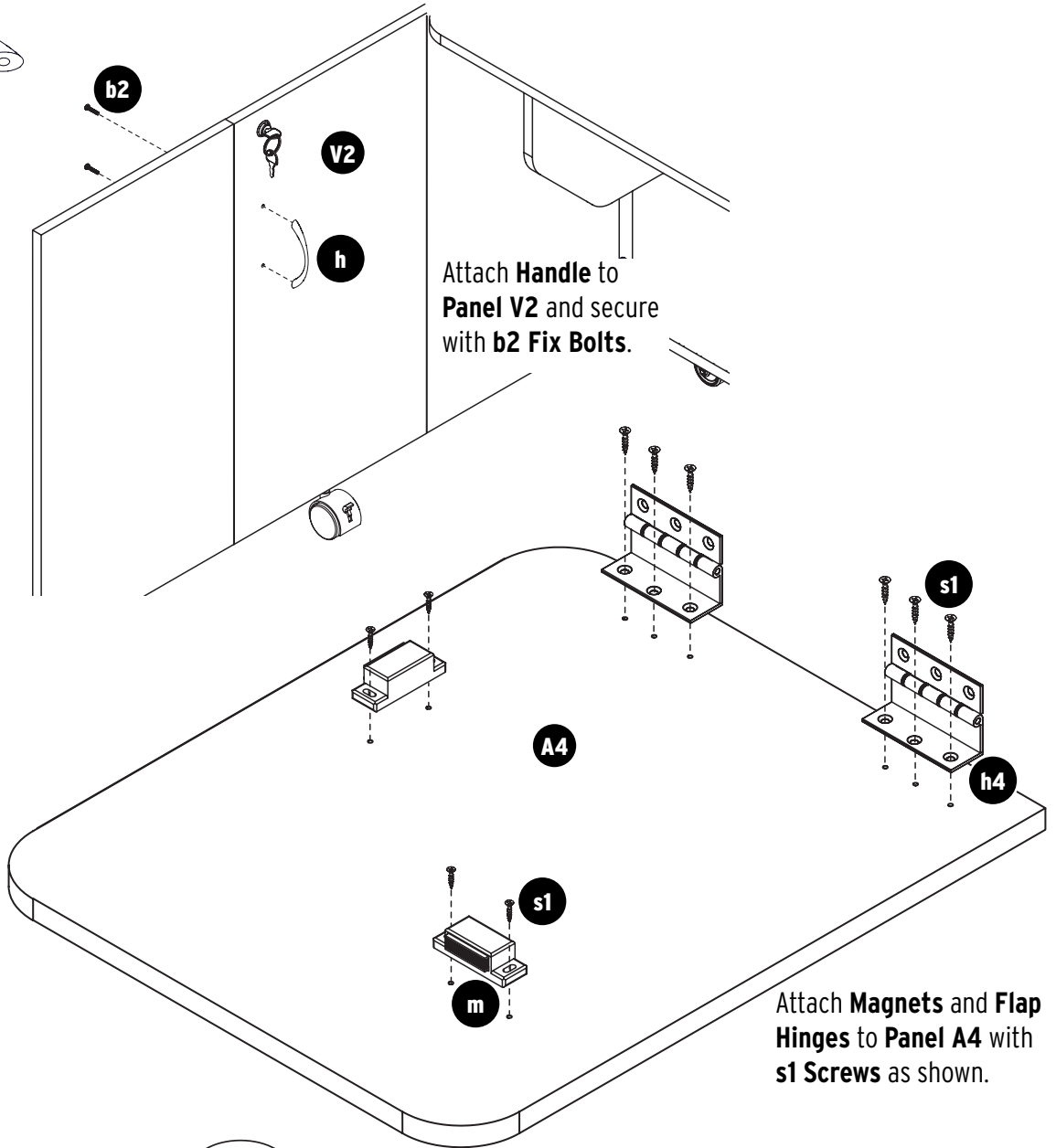
**s1** 3.5x14 Screw **x16**



**m** Magnet **x2**  
Catch Plate **x0**

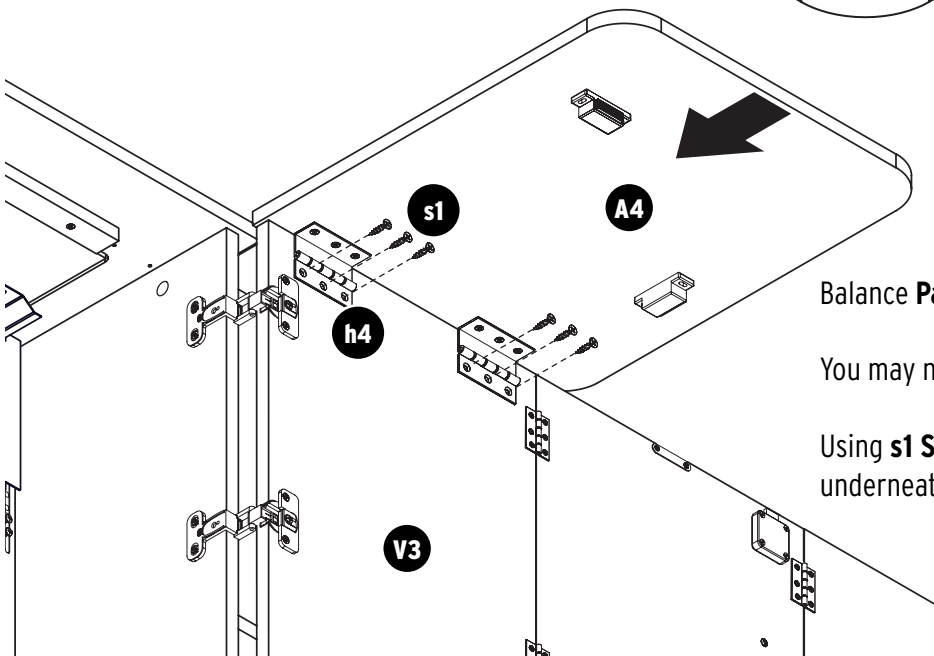


**h4** Flap Hinge **x2**



Attach **Handle** to **Panel V2** and secure with **b2 Fix Bolts**.

Attach **Magnets** and **Flap Hinges** to **Panel A4** with **s1 Screws** as shown.

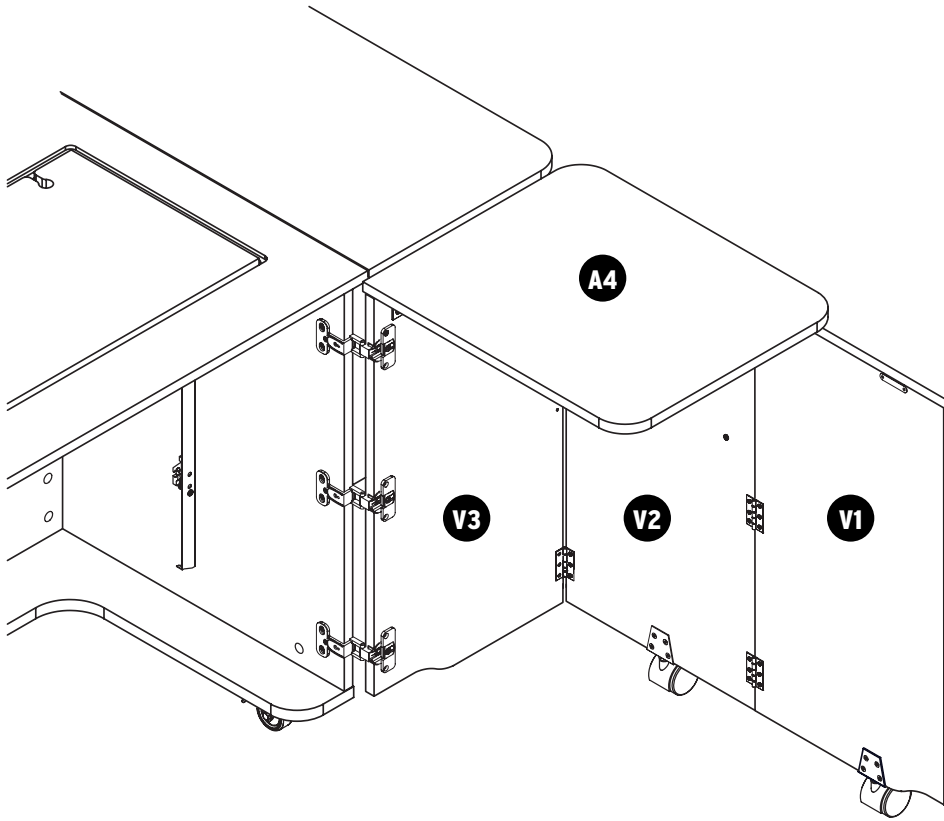


Balance **Panel A4**.

You may need a second person to help you.

Using **s1 Screws**, attach **Flap Hinges** to **Panel V3** from underneath as shown.

## Step 4: Tabletop Doors



To use your Tabletop Doors:

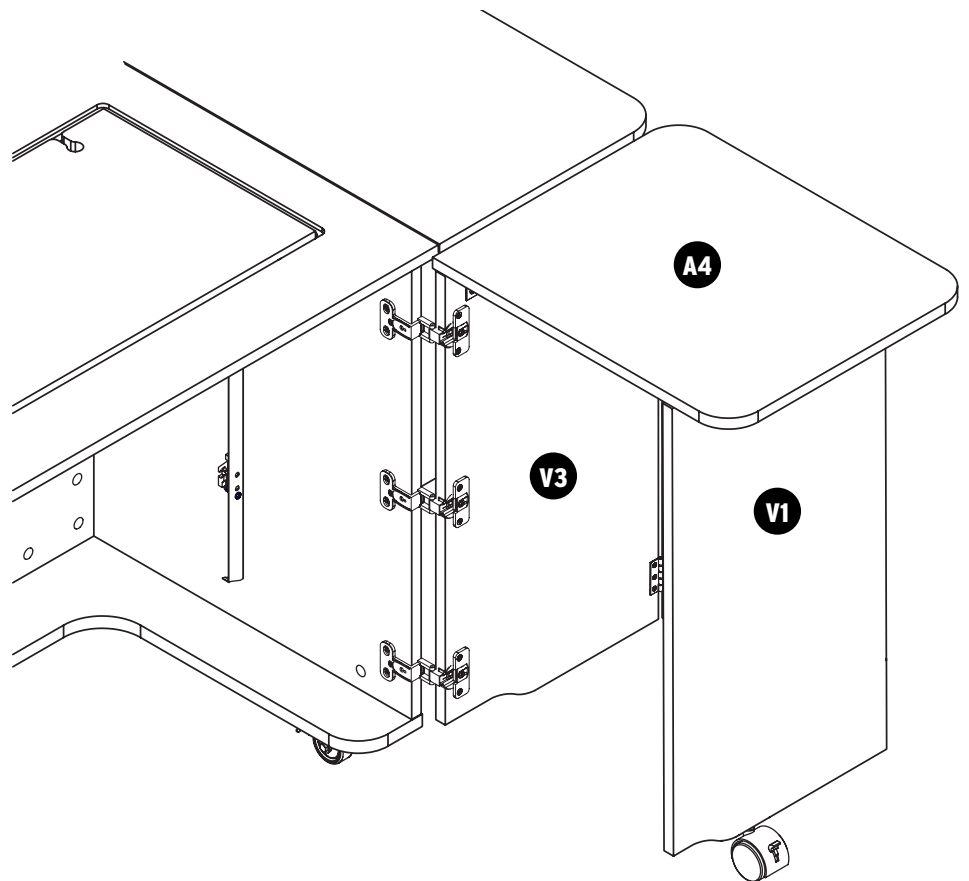
Open door panels.

Lift **Panel A4**. Swing **Panel V2** forward to create a right angle.

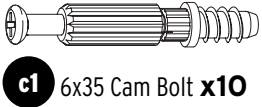
Next, swing **Panel V1** forward to create a right angle with **Panel V2**.

Engage the **magnets** on the bottom of **Panel A4**.

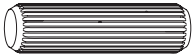
To close the door, hold **Panel A4** steady while you disengage magnets and unfold doors.



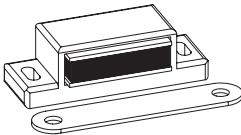
# Step 5: Drawers



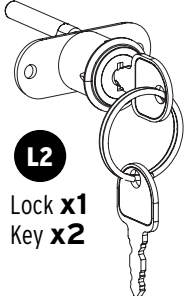
**c1** 6x35 Cam Bolt **x10**



**d1** 8x30 Dowel Pin **x6**



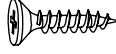
**m** Magnet **x0**  
Catch Plate **x1**



**L2**  
Lock **x1**  
Key **x2**

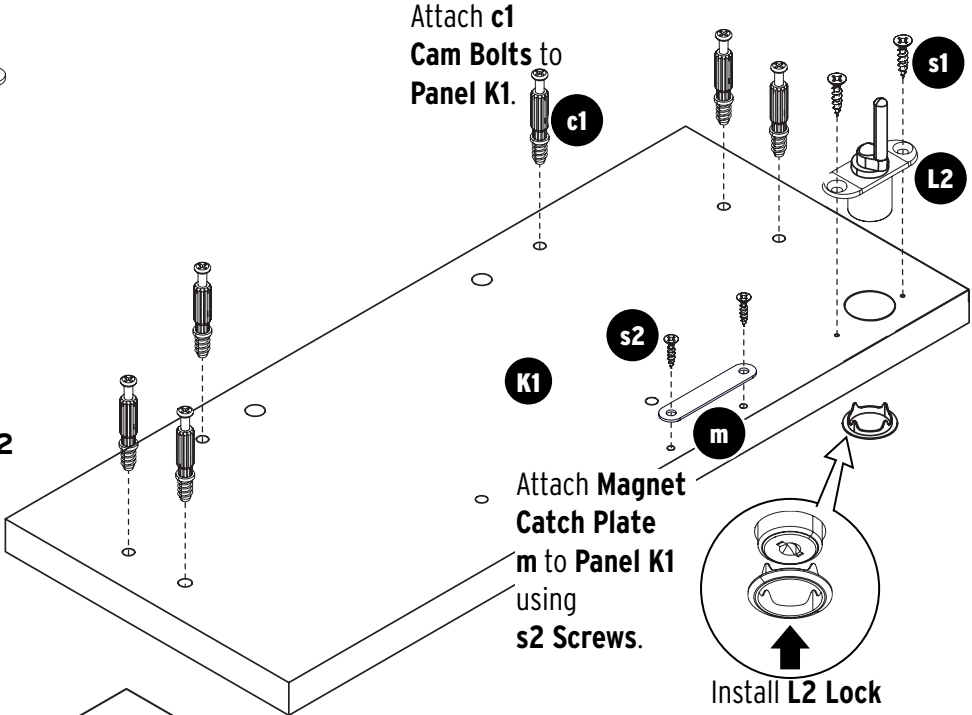


**s2** 3x14 Screw **x2**



**s1** 3.5x14 Screw **x2**

Attach **c1**  
Cam Bolts to  
Panel **K1**.

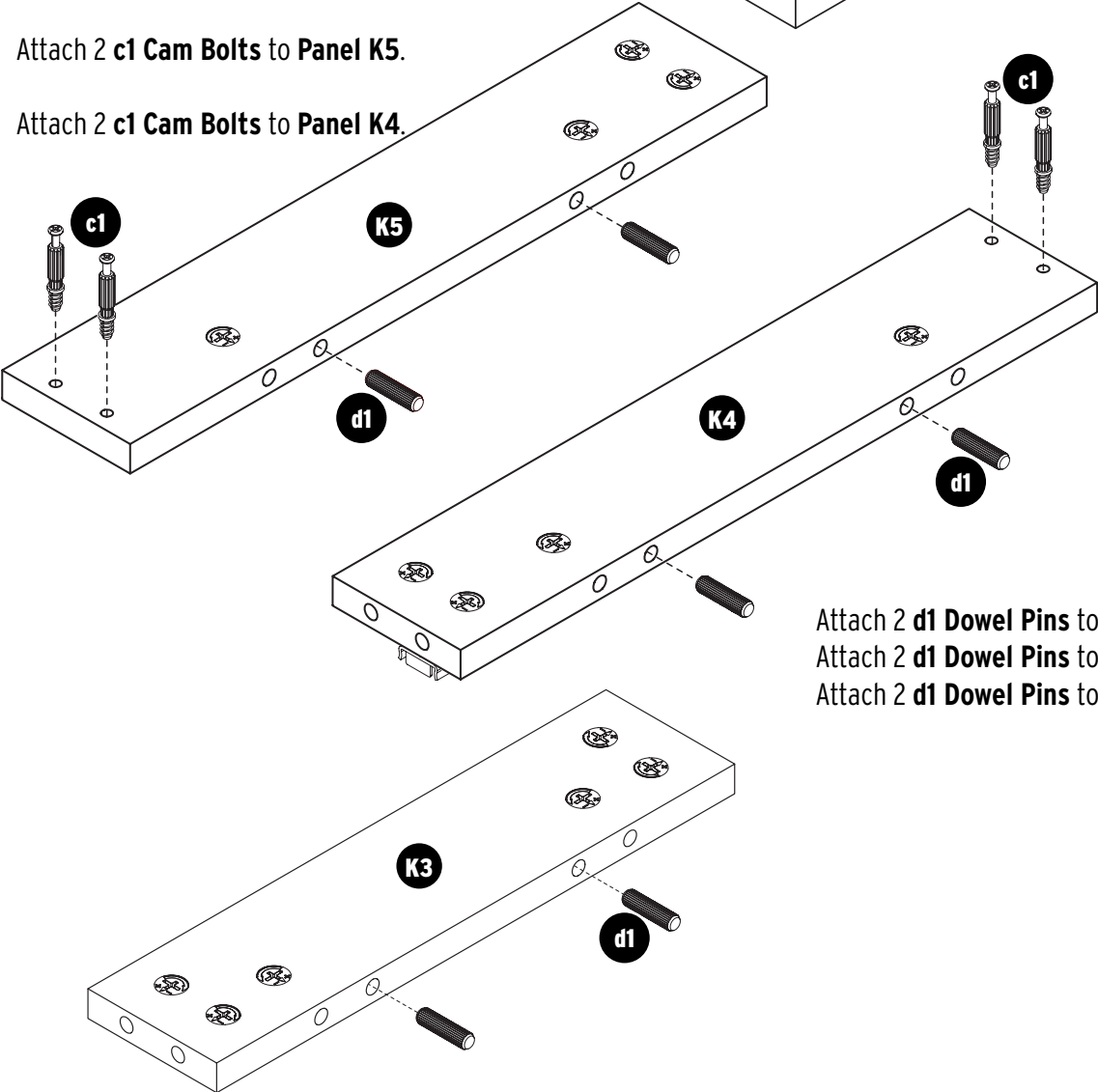


Attach **Magnet**  
**Catch Plate**  
**m** to Panel **K1**  
using  
**s2** Screws.

Install **L2** Lock  
using **s1** Screws.  
Press firmly to  
secure the lock ring  
to the lock  
mechanism.

Attach 2 **c1** Cam Bolts to Panel **K5**.

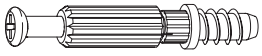
Attach 2 **c1** Cam Bolts to Panel **K4**.



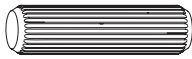
Attach 2 **d1** Dowel Pins to Panel **K5**.  
Attach 2 **d1** Dowel Pins to Panel **K4**.  
Attach 2 **d1** Dowel Pins to Panel **K3**.



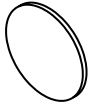
# Step 5: Drawers



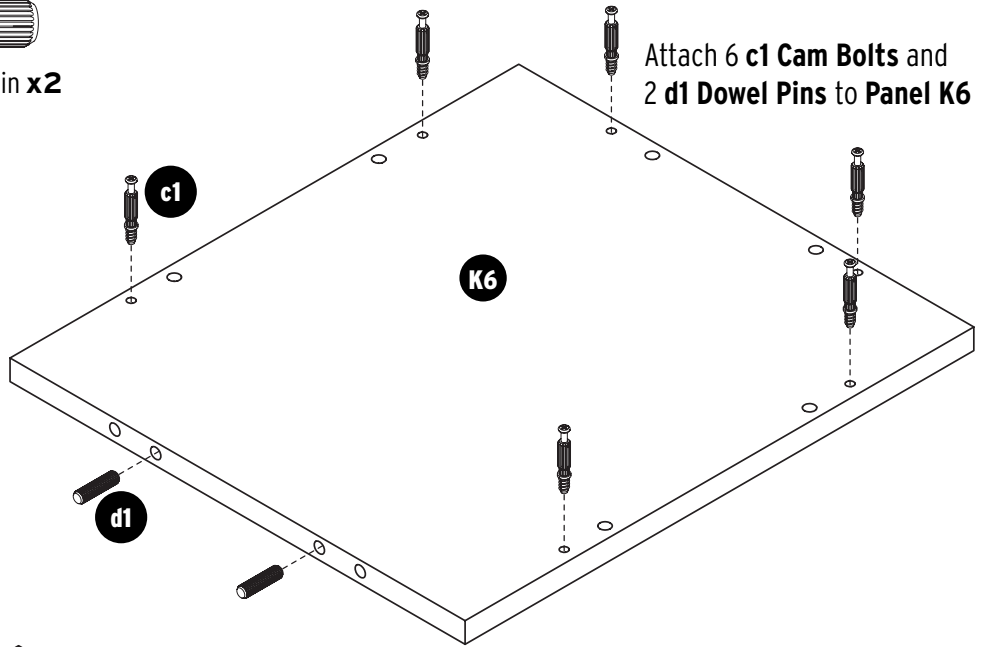
**c1** 6x35 Cam Bolt **x6**



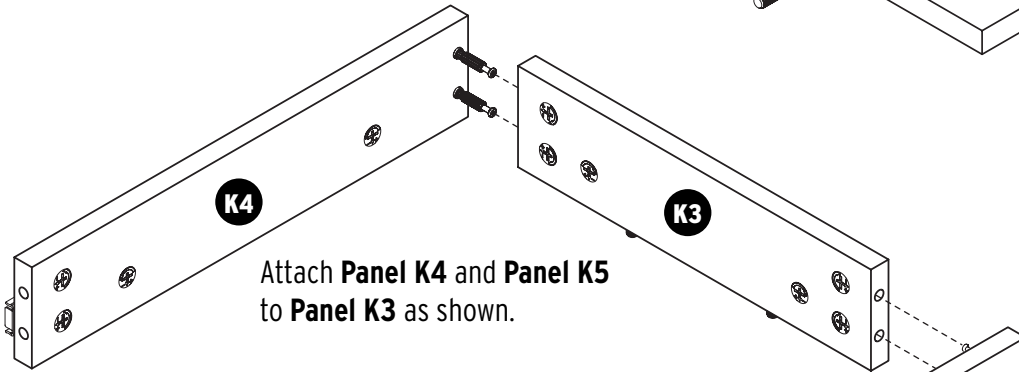
**d1** 8x30 Dowel Pin **x2**



**c2** 5/8" Cam Cover **x10**

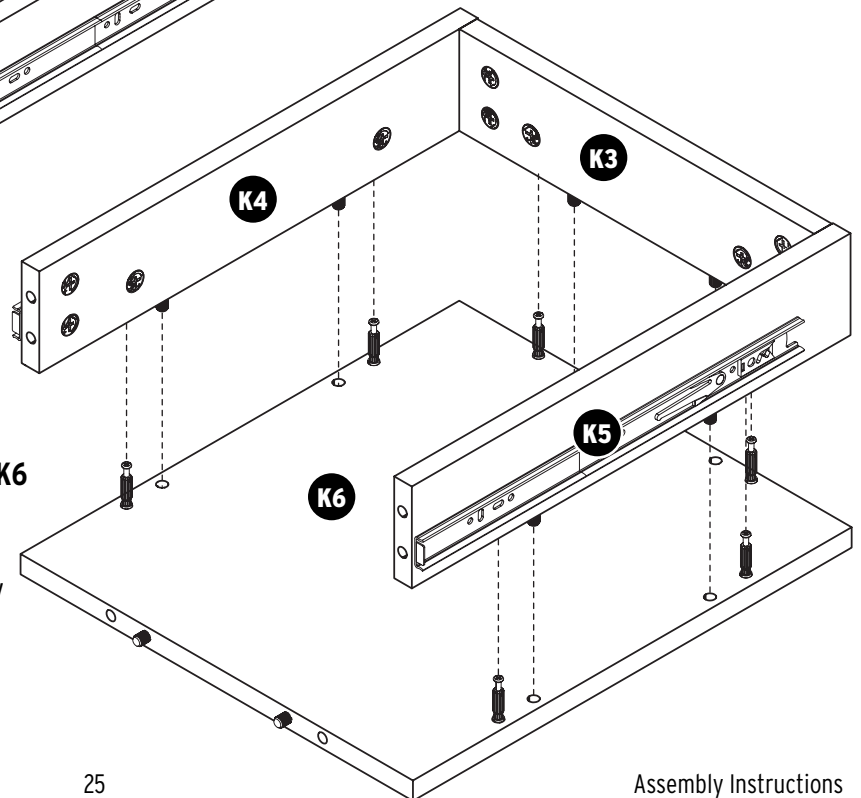
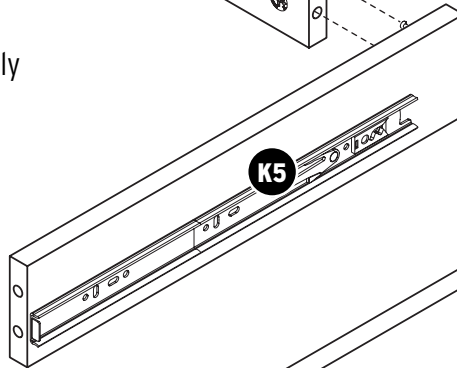


Attach 6 **c1** Cam Bolts and 2 **d1** Dowel Pins to Panel **K6**



Attach **Panel K4** and **Panel K5** to **Panel K3** as shown.

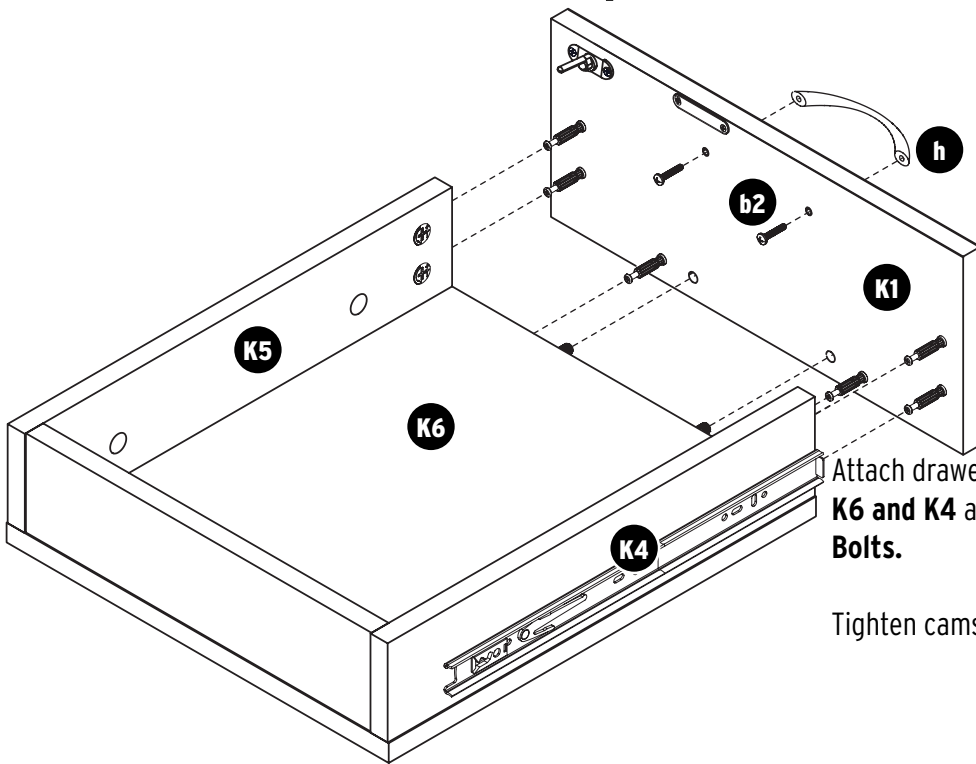
Tighten cam locks and apply cam covers.



Lower the **Panel K4/K5/K3** assembly down onto **Panel K6** as shown.

Tighten cam locks and apply cam covers.

# Step 5: Drawers



**h** Handle **x1**



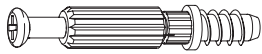
**b2** 4x20 Fix Bolt **x2**



**c2** 5/8" Cam Cover **x6**

Attach drawer front **Panel K1** to drawer side **Panels K5, K6 and K4** as shown. Then attach **h Handle** with **b2 Fix Bolts**.

Tighten cams and cover with **c2 Cam Covers**.

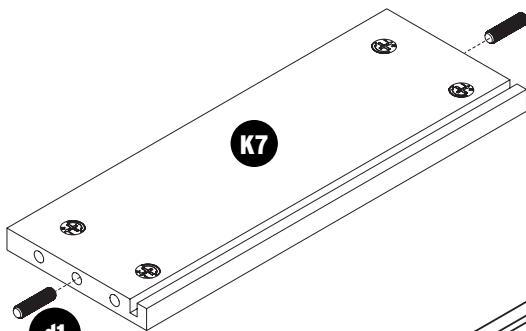
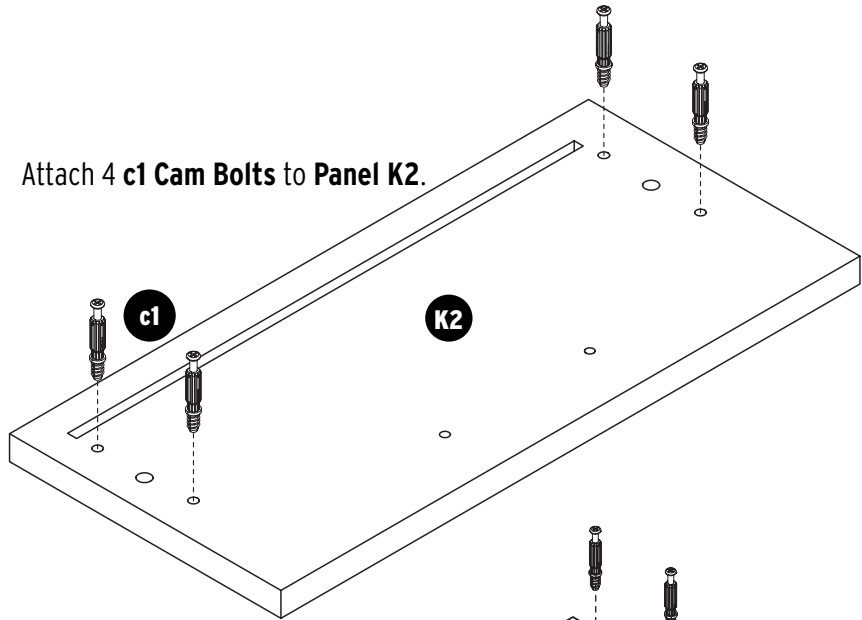


**c1** 6x35 Cam Bolt **x8**

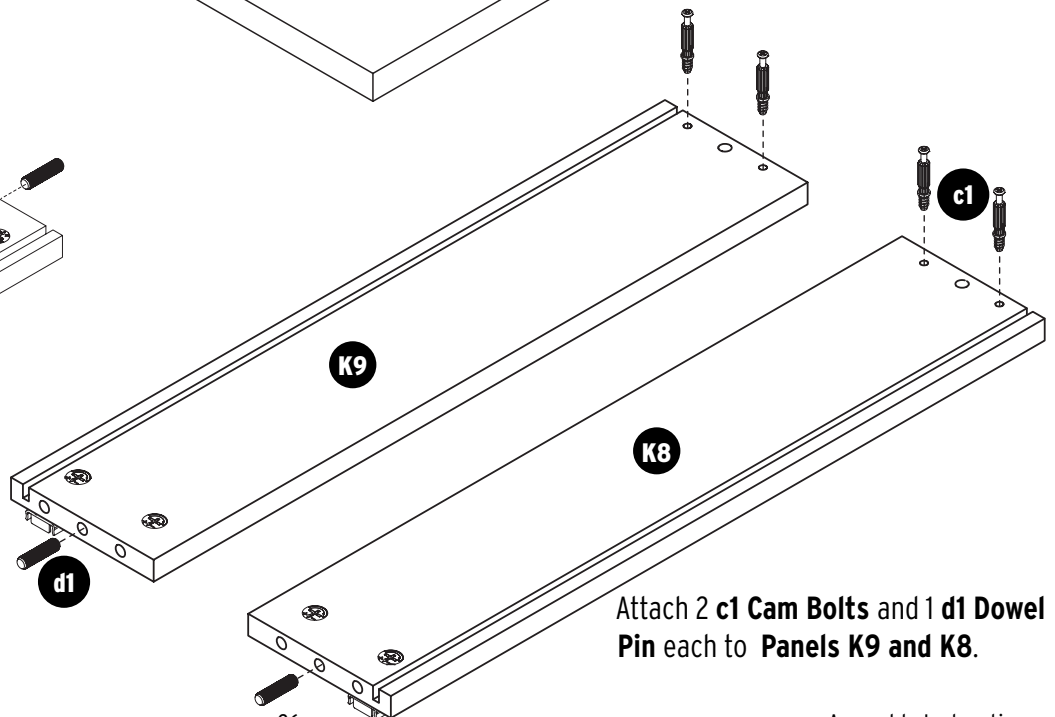


**d1** 8x30 Dowel Pin **x4**

Attach 4 **c1 Cam Bolts** to **Panel K2**.




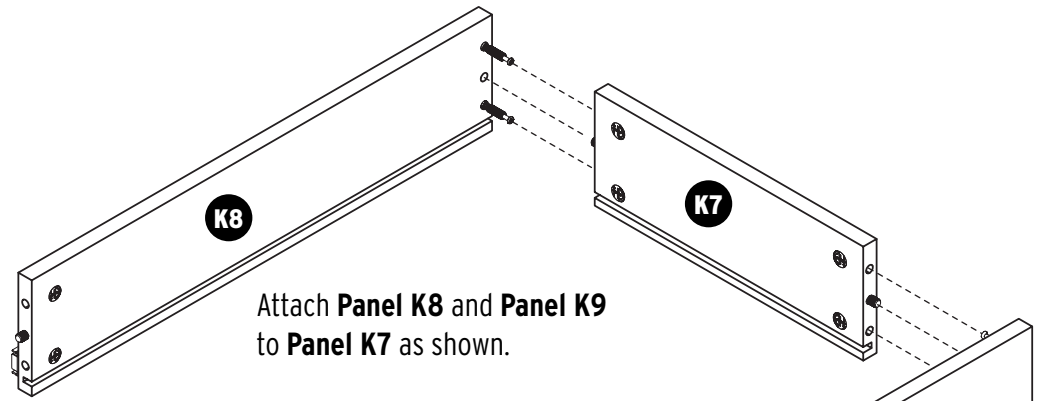
Attach 2 **d1 Dowel Pins** to **Panel K7**.



Attach 2 **c1 Cam Bolts** and 1 **d1 Dowel Pin** each to **Panels K9 and K8**.

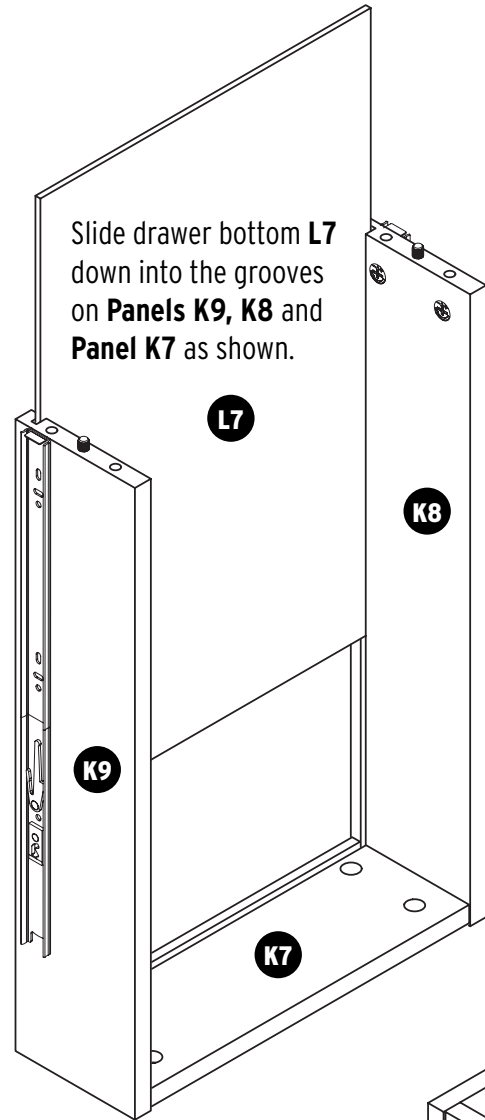
# Step 5: Drawers

**c2**  $\frac{5}{8}$ " Cam Cover **x8**

Attach **Panel K8** and **Panel K9** to **Panel K7** as shown.

Tighten cam locks and apply cam covers.



Slide drawer bottom **L7** down into the grooves on **Panels K9, K8** and **Panel K7** as shown.



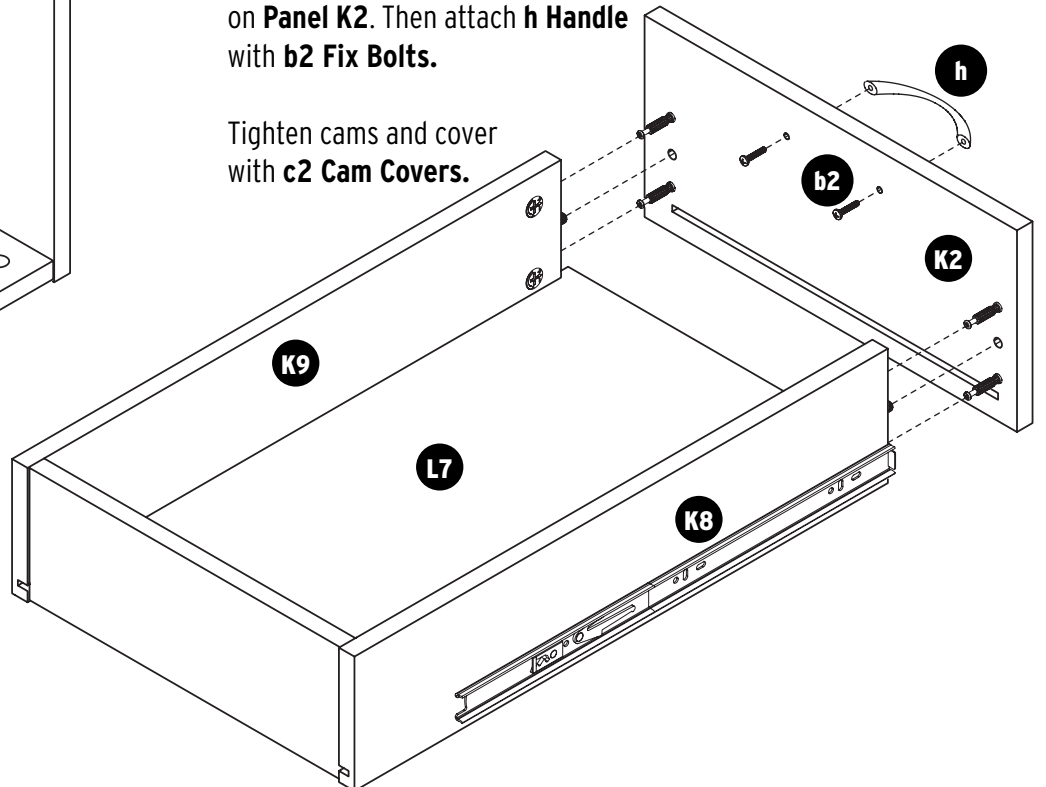
**h** Handle **x1**



**b2** 4x20 Fix Bolt **x2**

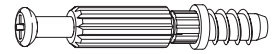
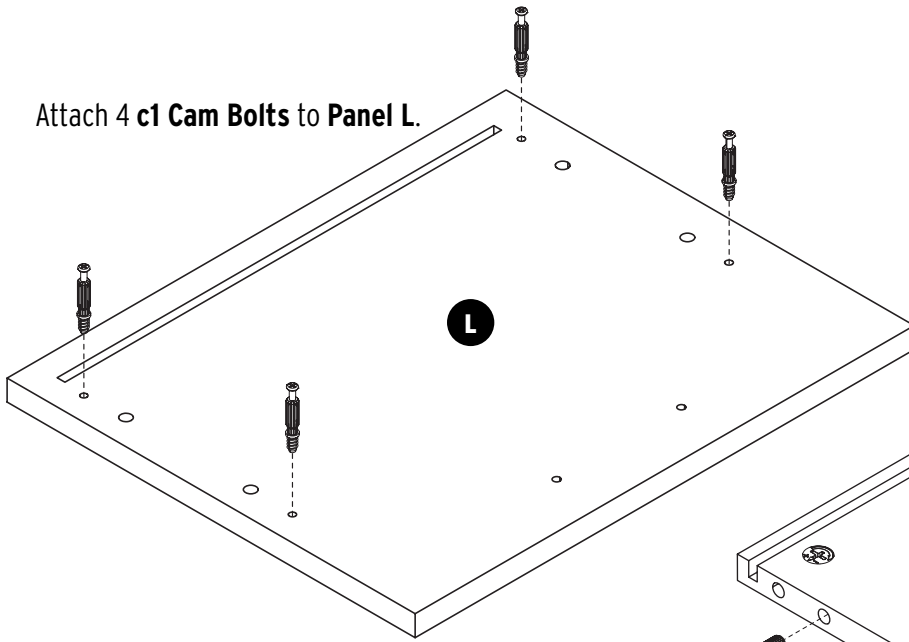
Attach drawer front **Panel K2** to drawer side **Panels K9** and **K8** as shown, sliding drawer bottom **L7** into the groove on **Panel K2**. Then attach **h Handle** with **b2 Fix Bolts**.

Tighten cams and cover with **c2 Cam Covers**.

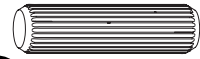


# Step 5: Drawers

Attach 4 **c1** Cam Bolts to Panel L.



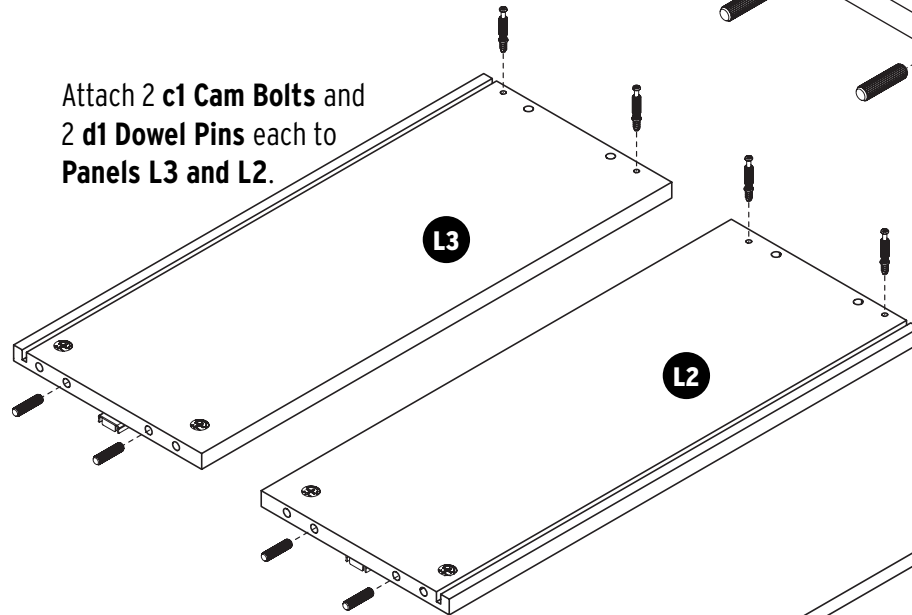
**c1** 6x35 Cam Bolt **x8**



**d1** 8x30 Dowel Pin **x8**

Attach 4 **d1** Dowel Pins to Panel L1.

Attach 2 **c1** Cam Bolts and 2 **d1** Dowel Pins each to Panels L3 and L2.

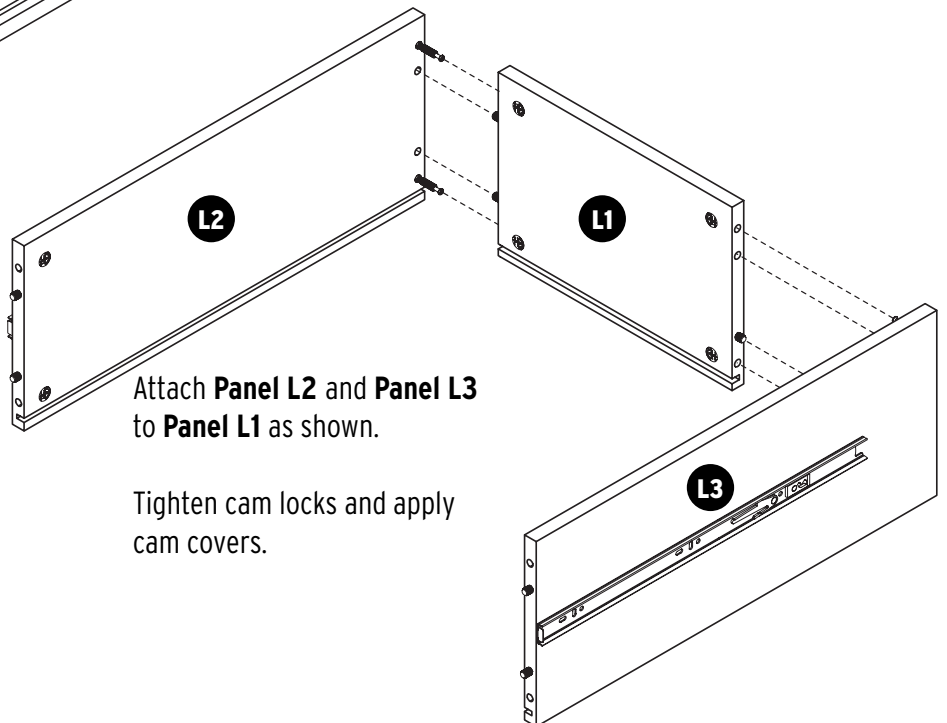


Attach 4 **d1** Dowel Pins to Panel L1.

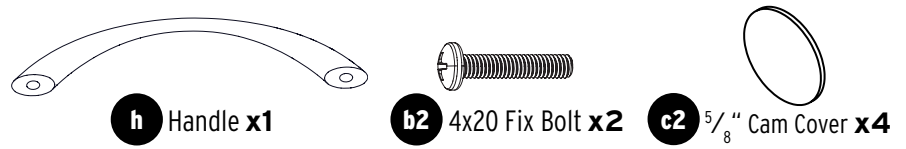
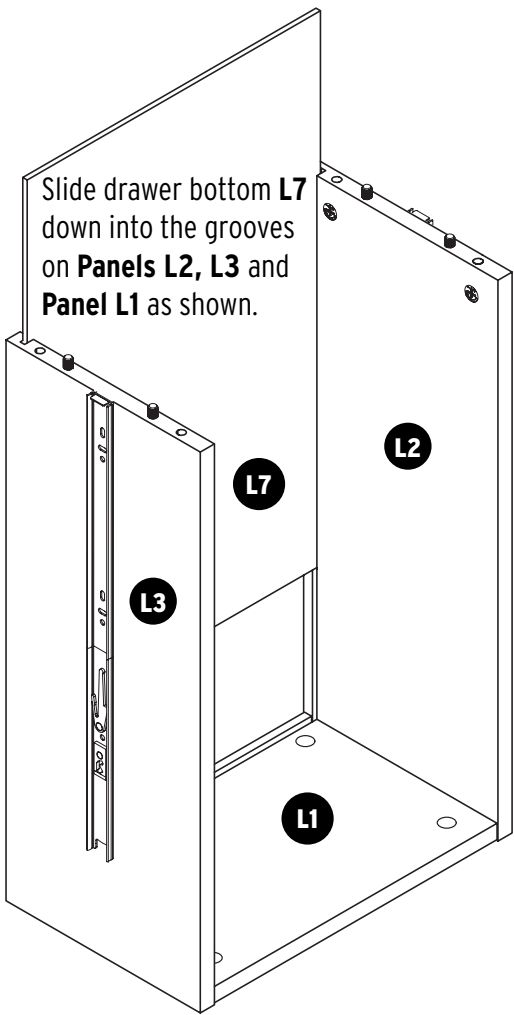
Attach Panel L2 and Panel L3 to Panel L1 as shown.

Tighten cam locks and apply cam covers.

**c2**  $\frac{5}{8}$ " Cam Cover **x4**

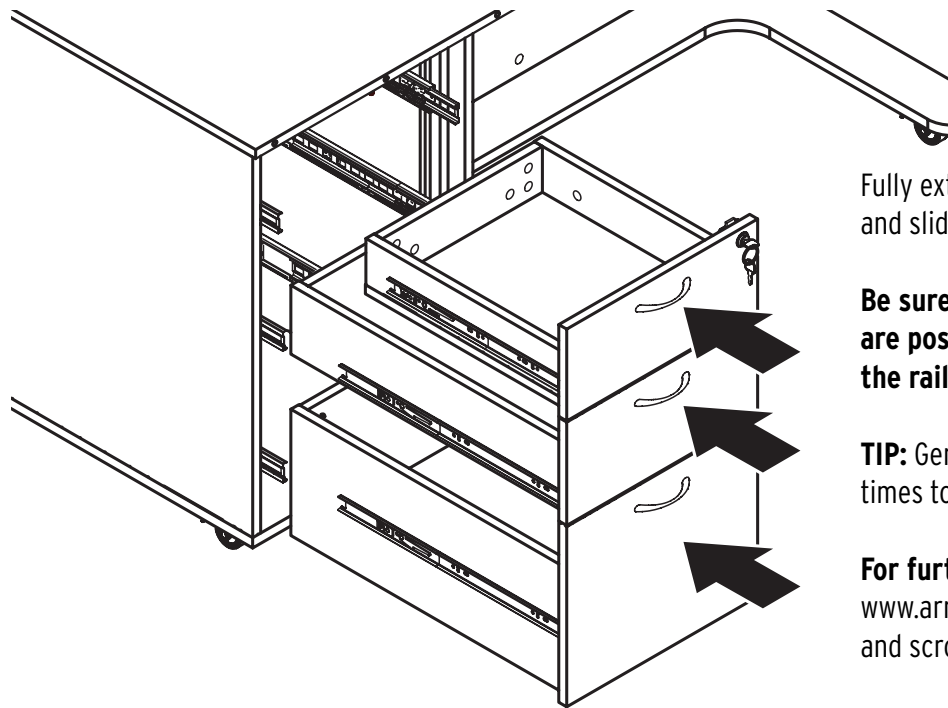
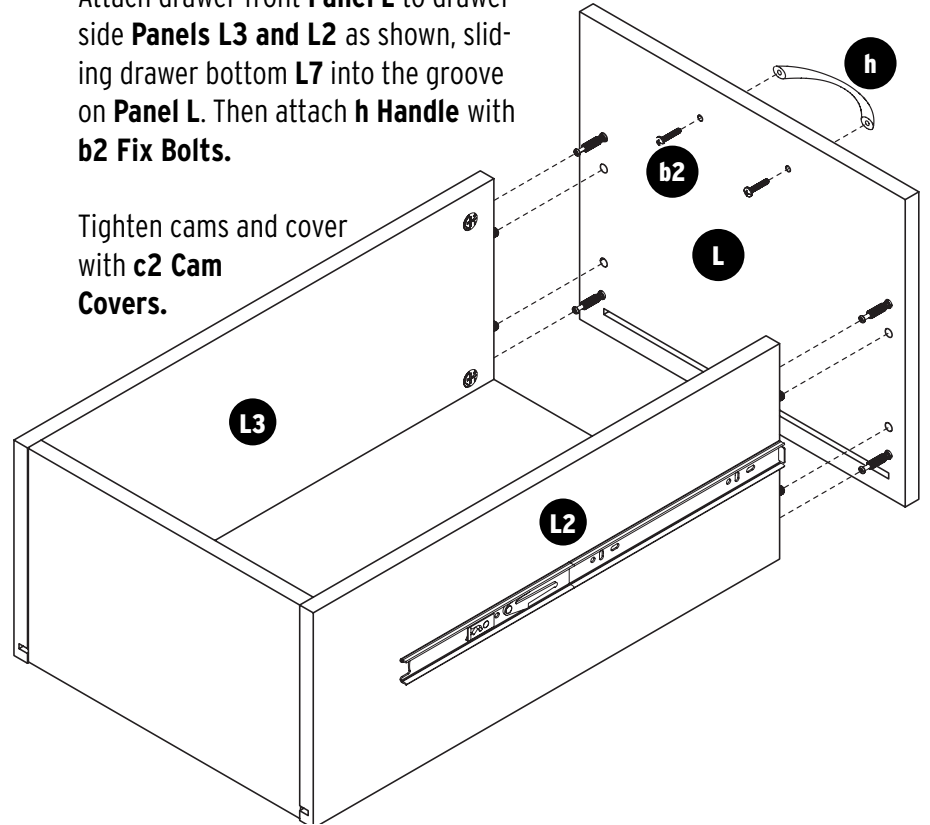


# Step 5: Drawers



Attach drawer front **Panel L** to drawer side **Panels L3 and L2** as shown, sliding drawer bottom **L7** into the groove on **Panel L**. Then attach **h Handle** with **b2 Fix Bolts**.

Tighten cams and cover with **c2 Cam Covers**.



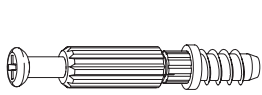
Fully extend the cabinet rails, align drawer rails and slide drawers into cabinet.

**Be sure that the silver ball bearing pieces are positioned all the way to the front of the rails.**

**TIP:** Gently open and close the drawers a few times to engage the Soft Close mechanism.

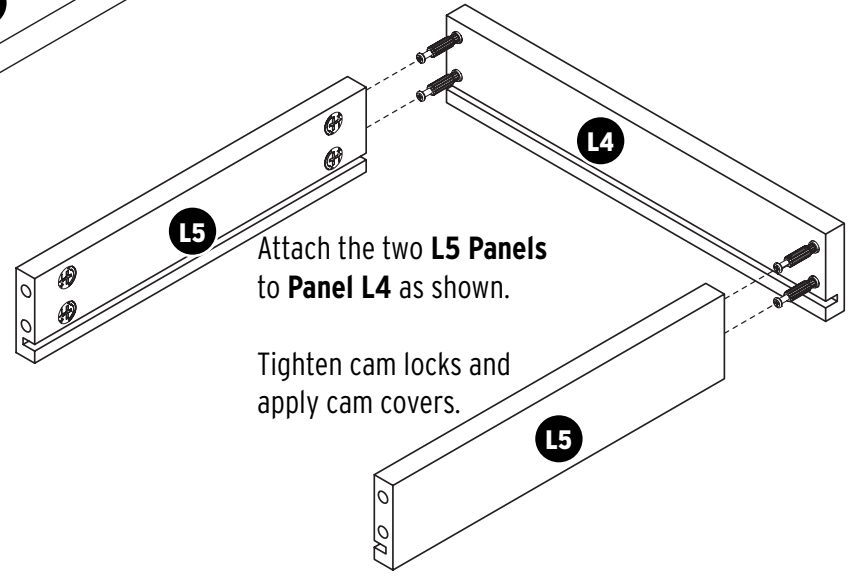
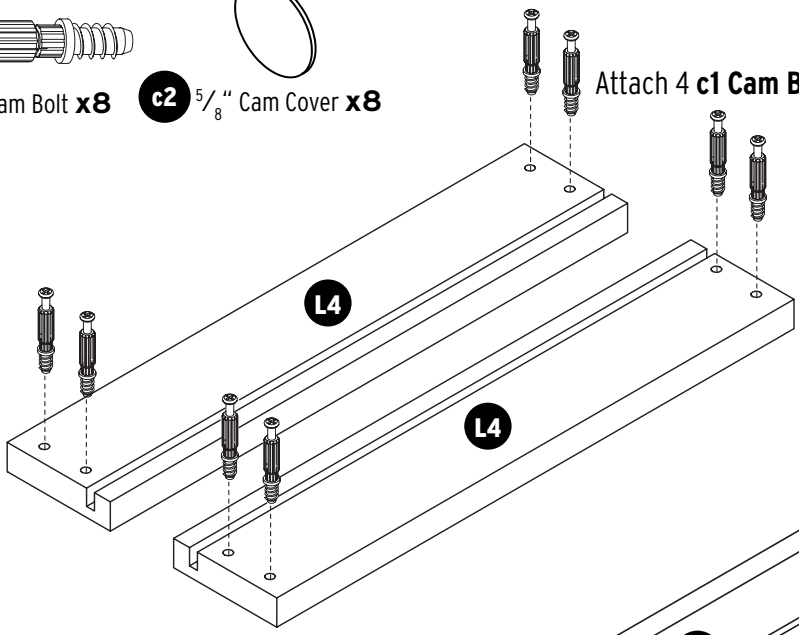
**For further help,** visit [www.arrowsewing.com/assembly](http://www.arrowsewing.com/assembly) and scroll down for helpful videos.

# Step 6: Drawer Accessories



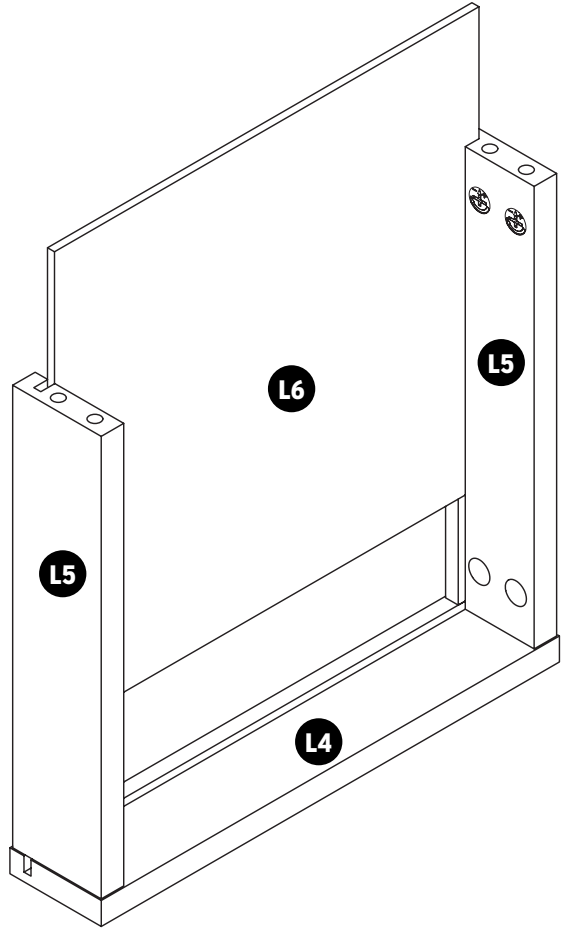
**c1** 6x35 Cam Bolt **x8**    **c2** 5/8" Cam Cover **x8**

Attach 4 **c1** Cam Bolts to each **Panel L4**.

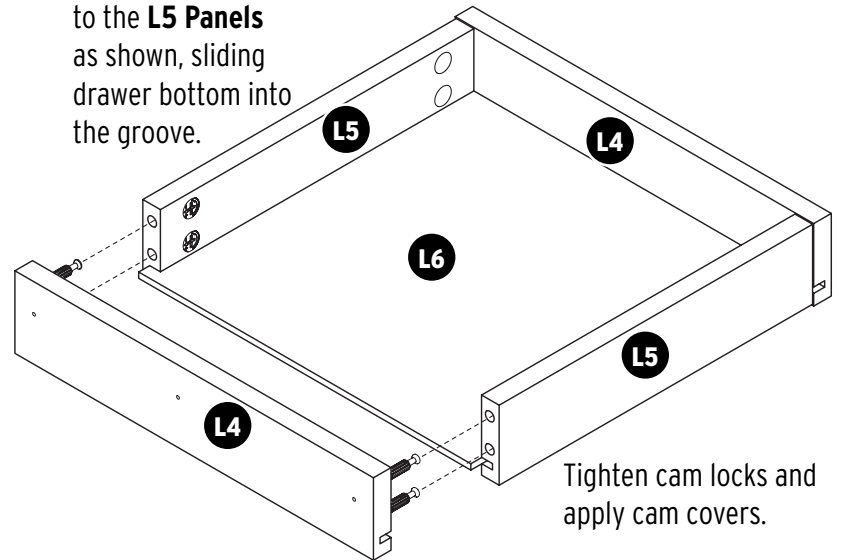


Attach the two **L5** Panels to **Panel L4** as shown.

Tighten cam locks and apply cam covers.

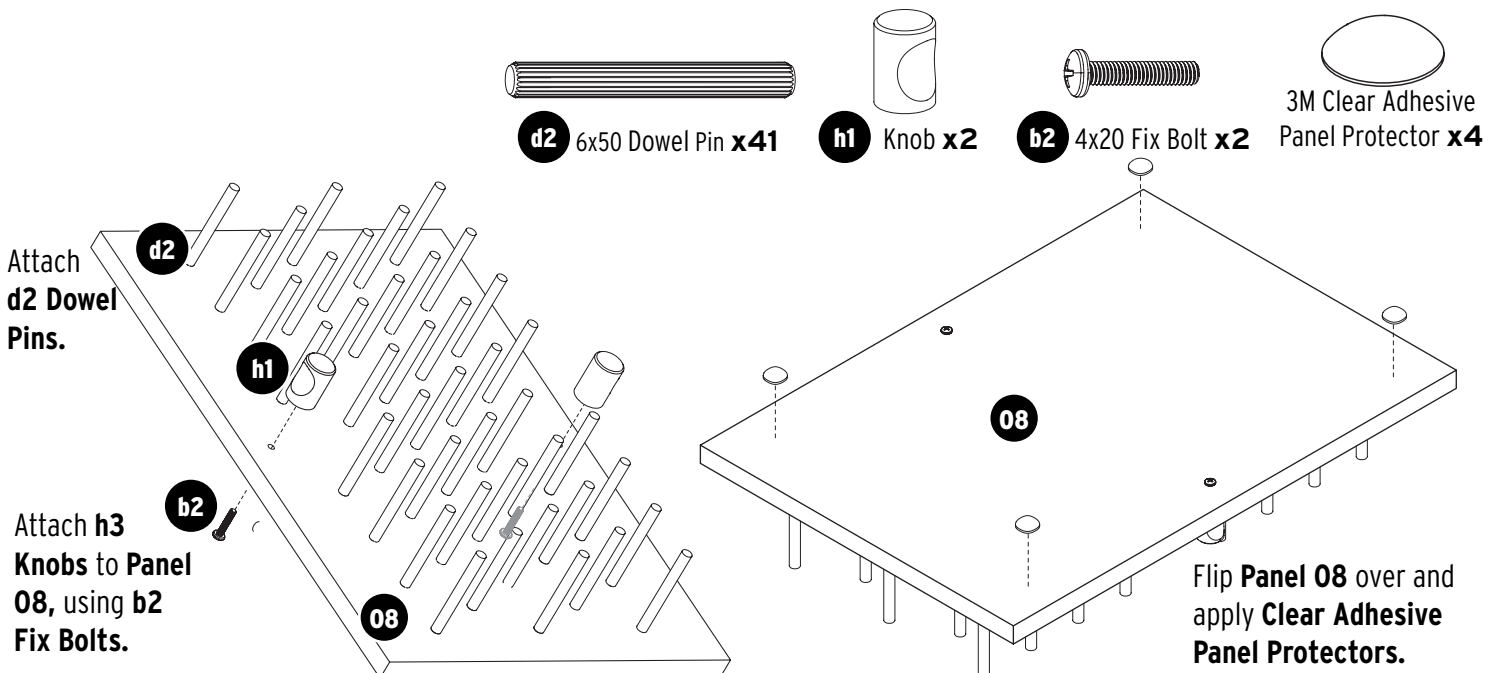
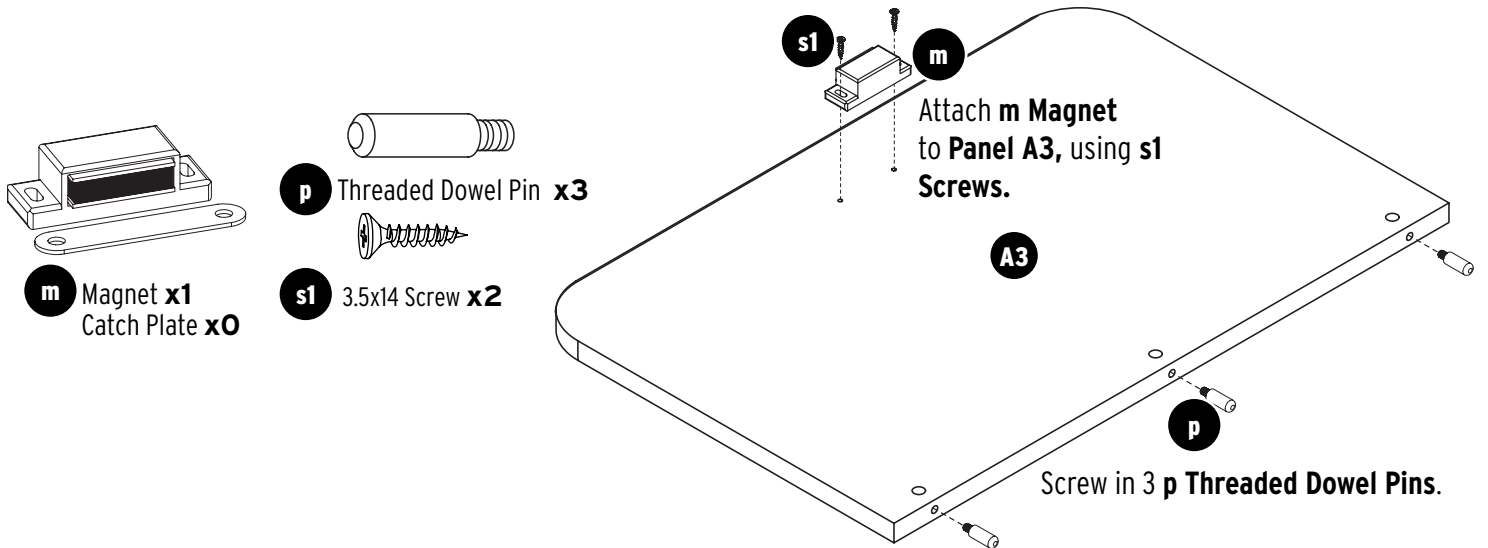
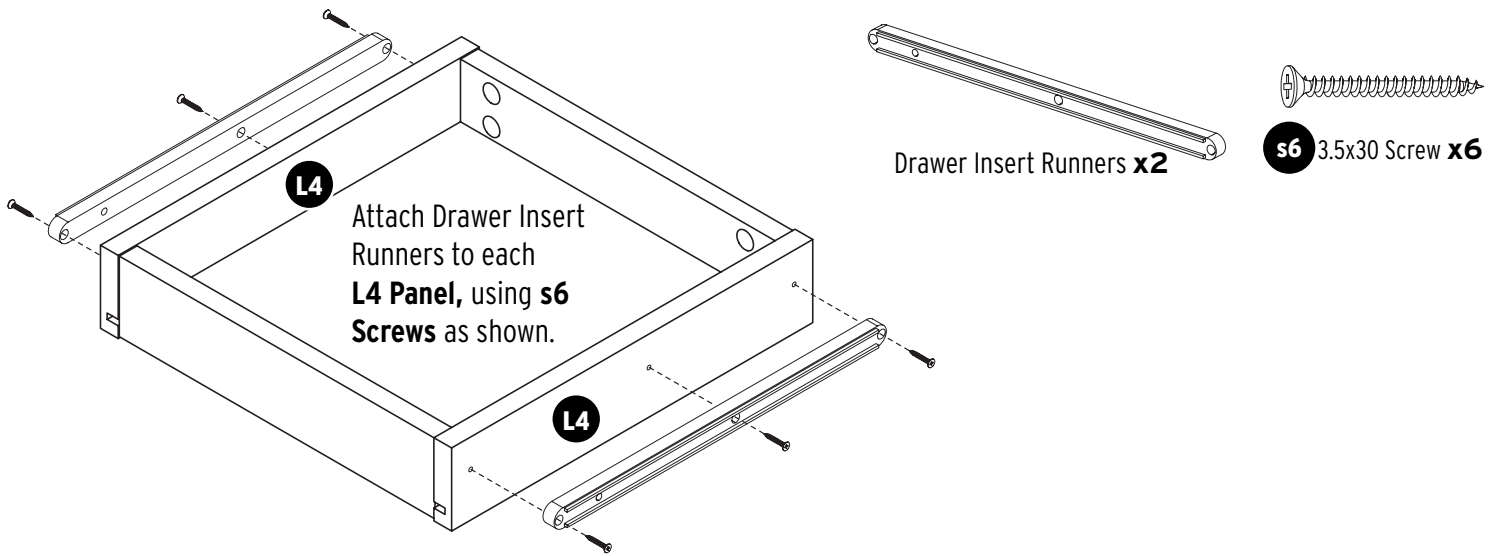


Attach the remaining **L4** Panel to the **L5** Panels as shown, sliding drawer bottom into the groove.

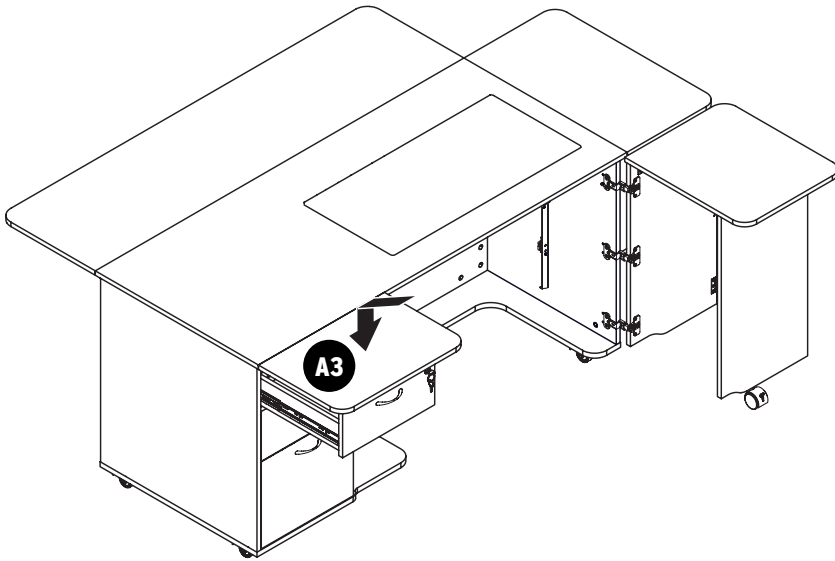


Tighten cam locks and apply cam covers.

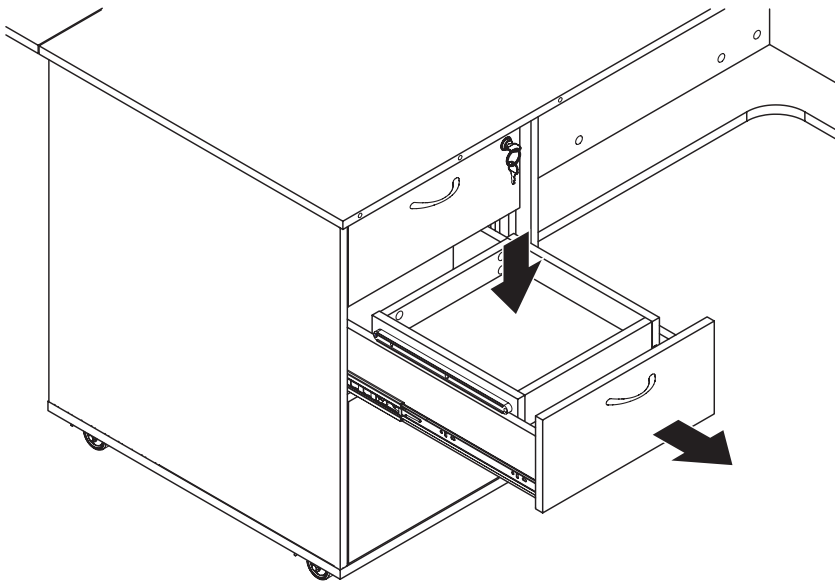
# Step 6: Drawer Accessories



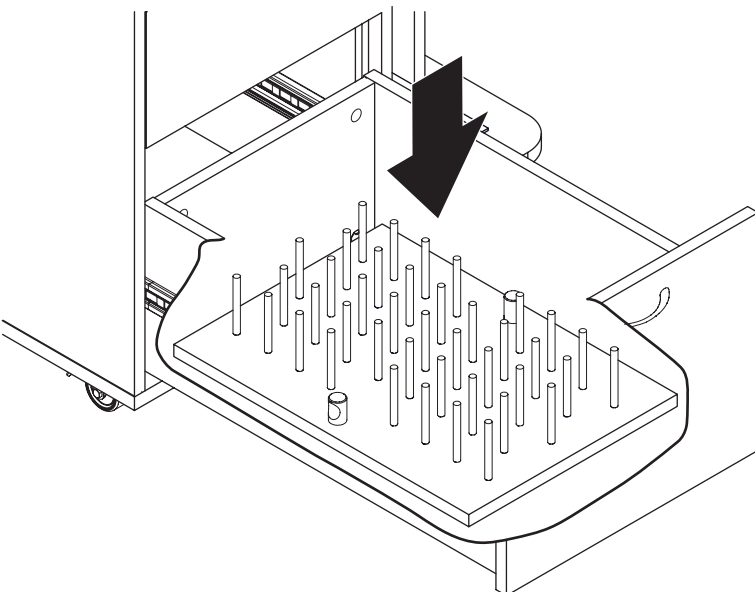
## Step 6: Drawer Accessories



Use drawer cover **Panel A3** with the top drawer of your Sydney Cabinet to create extra workspace.



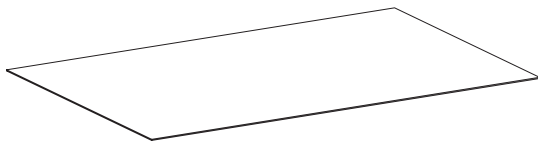
Place drawer insert tray into the middle or top drawer of your Sydney Cabinet to create extra storage space.



Place thread spool holder tray into the middle or top drawer of your Sydney Cabinet for accessible thread storage.

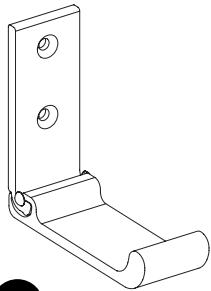


# Step 7: Embroidery Arm/Shelf Compartment

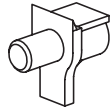


Adhesive Foam Sheet **x1**

Remove the backing from the **Adhesive Foam Sheet** and carefully adhere it to the bottom of the shelf compartment. **NOTE:** The **Adhesive Foam Sheet**'s adhesive is very strong. Be precise when installing!



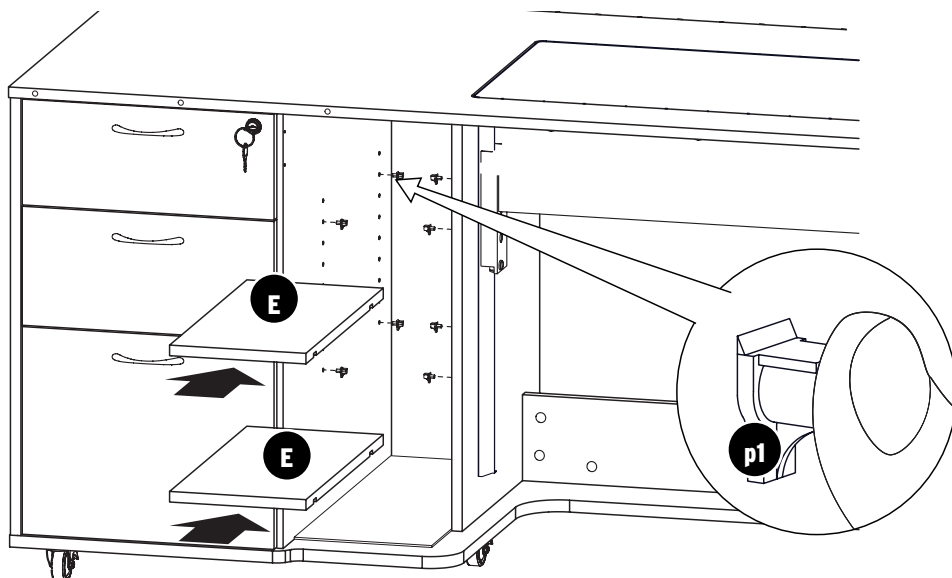
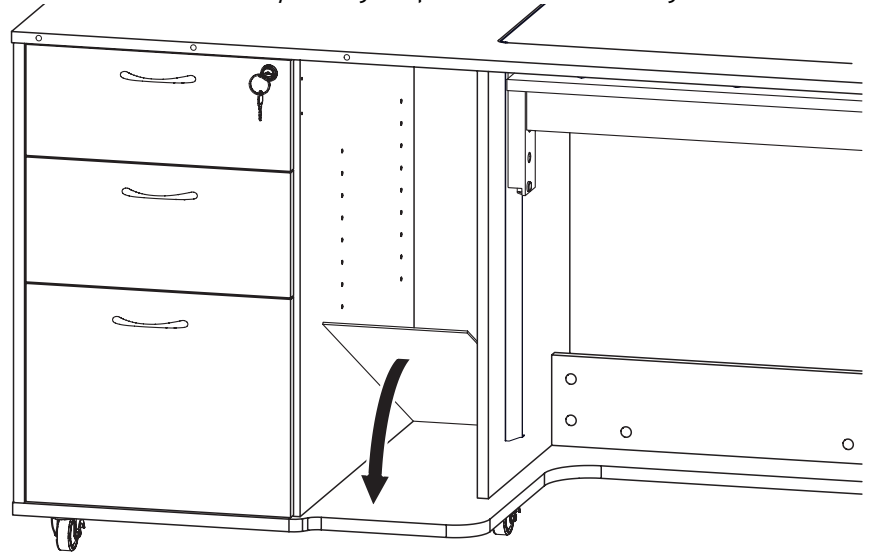
**h2** Folding Hook **x2**



**p1** Peg **x8**



**s1** 3.5x14 Screw **x176**



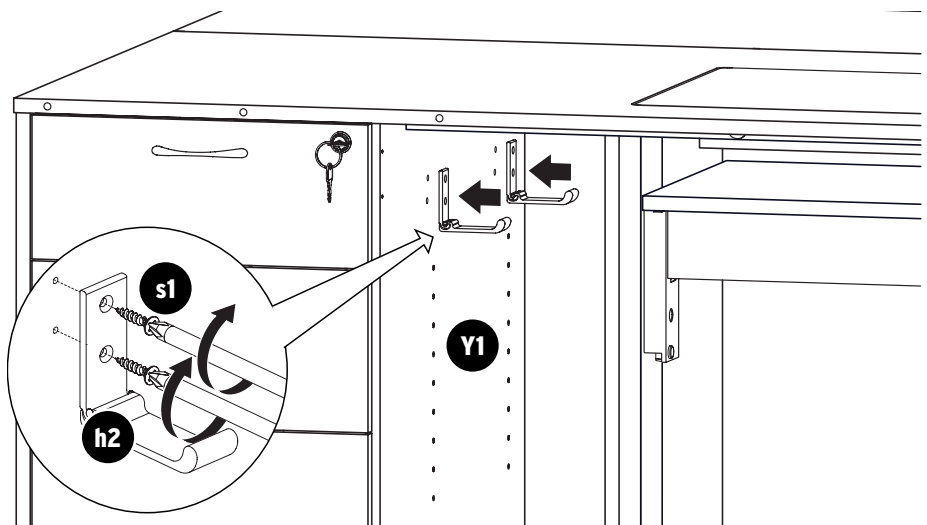
Press **p1 Pegs** into pre-drilled holes as shown, at whatever height you wish.

Slide **Panel E Shelves** on top of **p1 Pegs**.

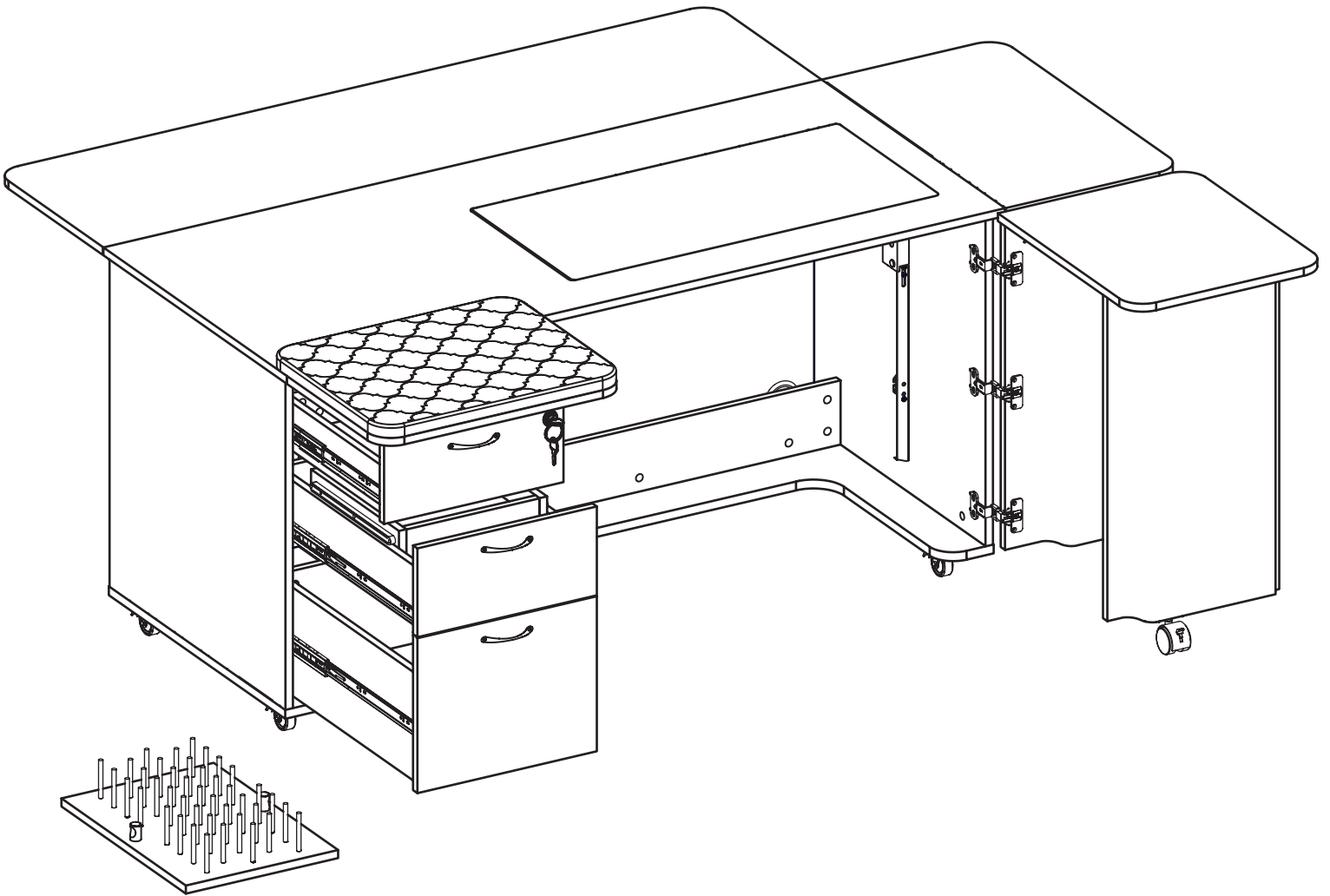
You may choose to use **h2 Folding Hooks**.

Attach to **Panel Y1** using **s1 Screws**.

Shelves can be used with Folding Hooks.



# Completed Sydney Cabinet



**Congratulations! A better sewing experience awaits!**



KANGAROO™  
sewing furniture

## LIMITED LIFETIME WARRANTY

### Kangaroo™ Sewing Furniture Limited Lifetime Warranty

**WHAT THIS WARRANTY COVERS:** Arrow Companies, LLC "Arrow" provides a Limited Lifetime Warranty "Warranty" to the original purchaser of this product against defects in materials or workmanship of furniture components. As used in this Warranty, "defect" means imperfections in components which substantially impair the utility of the product. This Warranty gives you specific legal rights, and you may also have other rights which vary from state to state. Electrical and mechanical components of furniture are warranted for 5 years.

**HOW TO GET SERVICE:** Simply contact Arrow at 1-800-533-7347 or CS@ArrowSewing.com. When you request Warranty service, you must also present proof of purchase documentation, which includes the date of purchase (detailed receipt), and photos of the product. Arrow will replace any defective part (at its sole option), excluding labor. Replacement parts will be warranted for only the remaining period of the original Warranty.

Replacement parts will be shipped freight prepaid on any initial Warranty claim during first year of Warranty only. Warranty applies only to defects confirmed by Arrow and will be replaced or repaired at Arrow's option. In the event parts are no longer available for a Warranty claim, customer may receive a brand new cabinet at a price equal to 60% off the MSRP of a current comparable model.

**WHAT'S NOT COVERED:** There is no Warranty coverage for defects or conditions that result from the following: Failure to follow product assembly instructions, information or warnings; misuse or abuse; intentional damage; fire, flood, alteration or modification of the product; use of the product in a manner inconsistent with its intended use; any condition resulting from incorrect or inadequate maintenance, cleaning, care or neglect; cuts or scratches; caster damage as a result of moving furniture fully loaded or with locked casters; damage resulting from electrical surge or lightning; or use in commercial or education environments. Arrow Sewing Furniture is designed for residential use only.

ARROW SHALL HAVE NO LIABILITY for ANY INCIDENTAL OR CONSEQUENTIAL DAMAGES OF ANY KIND and all such damages are EXCLUDED FROM THIS Warranty, such as loss of use, disassembly, transportation, labor, or damage to property on or near the product. Some states do not allow the exclusion or limitation of incidental or consequential damages, so the above limitation or exclusion may not apply to you. The Warranty cannot be transferred to subsequent owners or users of the product, and it shall be immediately void in the event the product is resold, transferred, leased or rented to any third party or person other than the original purchaser.

**ADDITIONAL LIMITATIONS:** THERE ARE NO OTHER WARRANTIES APPLICABLE TO THIS PRODUCT. Under the laws of certain states, there may be no implied warranties from Arrow and all implied warranties, INCLUDING ANY IMPLIED Warranty OF MERCHANTABILITY OR FITNESS FOR A PARTICULAR PURPOSE are disclaimed where allowed by law. TO THE EXTENT ANY IMPLIED WARRANTIES ARE APPLICABLE, ANY IMPLIED WARRANTIES, INCLUDING ANY IMPLIED Warranty OF MERCHANTABILITY OR FITNESS FOR A PARTICULAR PURPOSE, ARE LIMITED IN DURATION TO THE DURATION OF THIS EXPRESS Warranty or the minimum period allowed by law, whichever is shorter. Some states do not allow limitations on how long an implied Warranty lasts, so the above limitation may not apply to you. This limited Warranty gives you specific legal rights. This limited Warranty does not, in any way, affect the rights given to you by law.

**REGISTER YOUR PRODUCT:** Original purchaser should register the purchase online at [www.ArrowSewing.com/Warranty](http://www.ArrowSewing.com/Warranty).

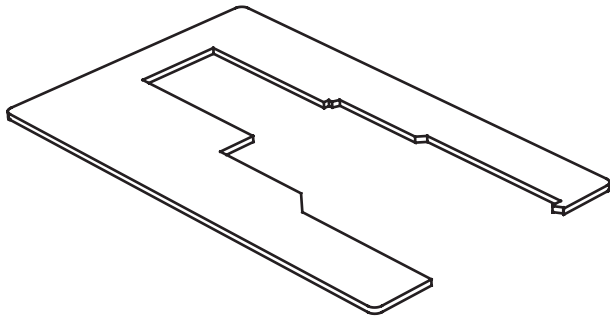
SEW IN COMFORT. SEW LONGER.™



## Accessories to Complete Your Sewing Studio

### Custom Insert

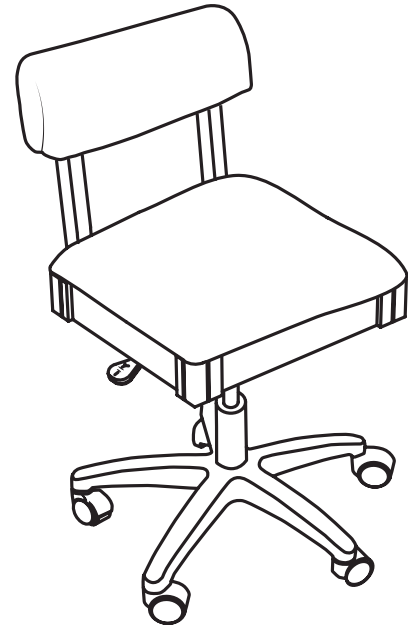
Enhance your sewing experience with a custom acrylic sewing insert! Custom acrylic sewing inserts are designed to fill the gap between your sewing machine and sewing cabinet's lift opening to create a flush, ergonomic surface for flat bed sewing. To ensure a perfect fit, custom acrylic sewing inserts are built specifically for your sewing machine and sewing cabinet combination. Say hello to happy wrists, straighter stitches, and an elevated sewing experience!



Insert

### Arrow Sewing Chairs

Arrow's #1 Rated Height Adjustable Sewing Chair is a must have accessory for your dream sewing room! Cute, comfortable and convenient - our lovable sewing chairs feature vibrant sewing themed patterns, 360 swivel access and lumbar support for long hours at your workstation. Don't look now, but under every seat cushion is a hidden storage compartment to store your notions and patterns! Available in 10 colors to perfectly match your sewing sanctuary!



Height Adjustable Sewing Chair

P.O. Box 410 Elkhorn, WI 53121  
1-800-533-7347 Ext. 1  
CS@ArrowSewing.com  
www.ArrowSewing.com

12-22