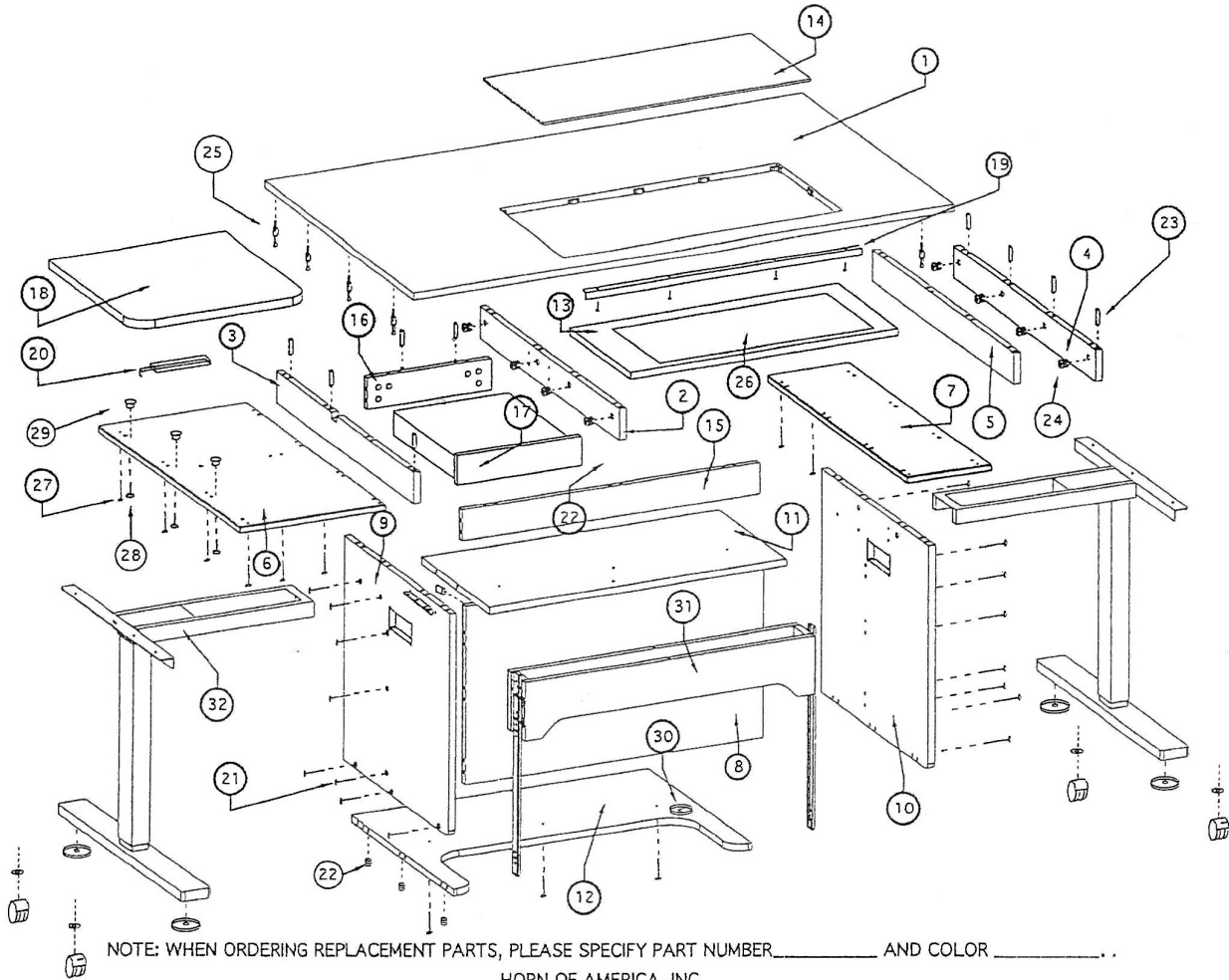


MODEL: 9000A PARTS DRAWING

4/4/20.3



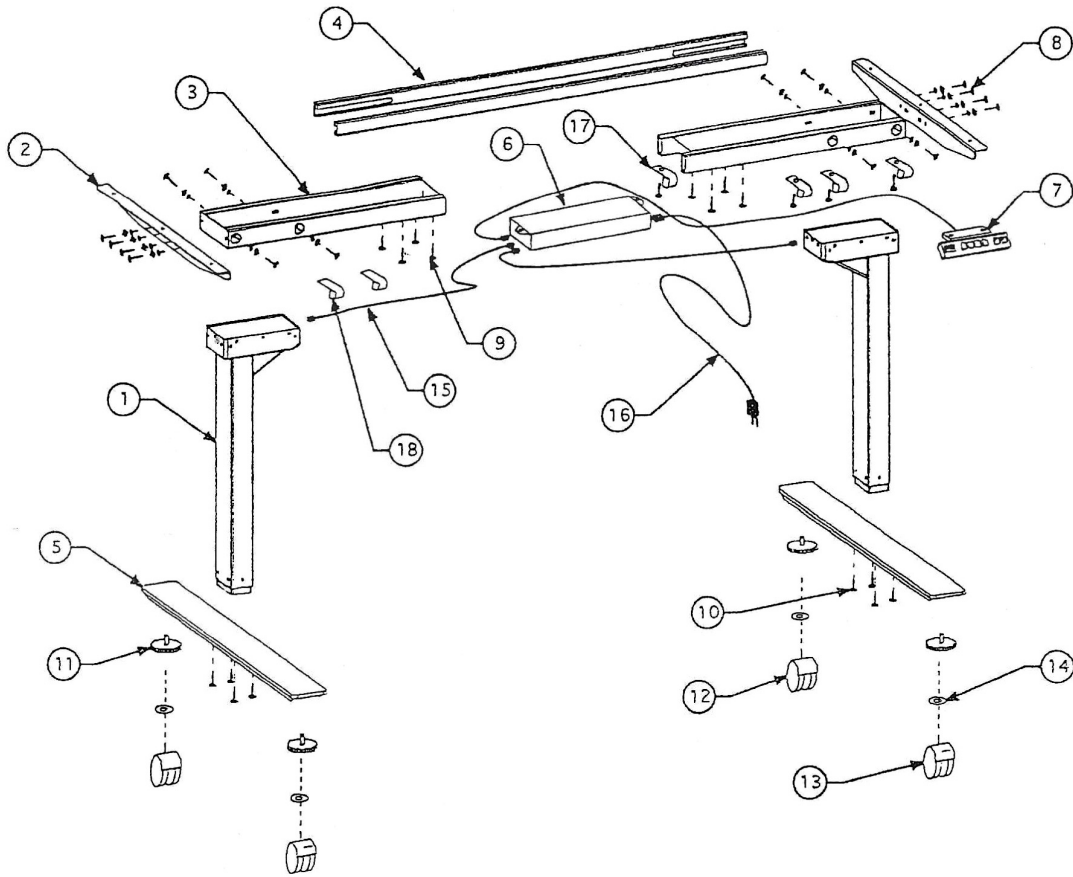
NOTE: WHEN ORDERING REPLACEMENT PARTS, PLEASE SPECIFY PART NUMBER _____ AND COLOR _____.

HORN OF AMERICA, INC.
P.O. BOX 608
SUTTON, WV 26601
PH: (800) 882-8845

PART NO.	DESCRIPTION	QTY. REQ.	PART NO.	DESCRIPTION	QTY. REQ.
9000A-1	TOP	1	9000A-17	DRAWER	1
9000A-2	RIGHT DRAWER SIDE SUPPORT RAIL	1	9000A-18	DRAWER EXTENSION PANEL	1
9000A-3	LEFT DRAWER SIDE SUPPORT RAIL	1	9000A-19	TOP SUPPORT RAIL W/SCREWS	1
9000A-4	RIGHT SUPPORT RAIL	1	9000A-20	OPTIONAL LEAF SUPPORT SLIDE	1
9000A-5	LEFT SUPPORT RAIL	1	9000A-21	CONNECTOR BOLT 2"	16
9000A-6	LARGE BOTTOM PANEL	1	9000A-22	5/8" BARREL NUT	16
9000A-7	SMALL BOTTOM PANEL	1	9000A-23	WOOD DOWEL	49
9000A-8	CRADLE BACK	1	9000A-24	CAM LOCK	25
9000A-9	LEFT CRADLE SIDE	1	9000A-25	CAM LOCK PIN	25
9000A-10	RIGHT CRADLE SIDE	1	9000A-26	NON-SLIP PAD	1
9000A-11	STATIONARY SHELF	1	9000A-27	SCREW	19
9000A-12	CRADLE BOTTOM PANEL	1	9000A-28	BOLT 1/4/20X 5/8	6
9000A-13	MOUNTING PLATFORM	1	9000A-29	5/8 INSERT NUT	6
9000A-14	FILLER PANEL	1	9000A-30	WIRING GROMMET	4
9000A-15	CRADLE STRETCHER RAIL	1	9000A-31	REFER TO 18A DIAGRAM	1
9000A-16	DRAWER STRETCHER RAIL	1	9000A-32	REFER TO TABLE LIFT DIAGRAM	1

TABLE LIFT PARTS DRAWING

4/2/2019



NOTE: WHEN ORDERING REPLACEMENT PARTS, PLEASE SPECIFY PART NUMBER _____ AND COLOR _____.

<u>PARGT NO.</u>	<u>DESCRIPTION</u>	<u>QTY. REQ.</u>
TABLIFT-1	LIFT COLUMN	2
TABLIFT-2	TOP MOUNTING BRACKET	2
TABLIFT-3	END RAIL ASSEMBLY	2
TABLIFT-4	RAIL	2
TABLIFT-5	FLOOR BASE	2
TABLIFT-6	CONTROL BOX WITH SCREWS	1
TABLIFT-7	HANDSET WITH SCREWS	1
TABLIFT-8	16mm BOLT, WASHER, AND LOCK WASHER	16
TABLIFT-9	10mm BOLT	8
TABLIFT-10	20mm BOLT	8
TABLIFT-11	GLIDE	4
TABLIFT-12	SCREW IN NON-LOCK CASTER	2
TABLIFT-13	SCREW IN LOCKING CASTER	2
TABLIFT-14	CASTER WASHER	4
TABLIFT-15	LIFT COLUMN CONNECTION CABLE	2
TABLIFT-16	POWER CABLE	1
TABLIFT-17	CABLE CLAMP WITH SCREW	4
TABLIFT-18	ADJUSTABLE ADHESIVE CABLE CLAMP	2

MODEL 9000A ASSEMBLY INSTRUCTIONS

4/4/2019

1. UNPACKING CABINET

AFTER OPENING CARTON REMOVE THE WOODEN PACKING FRAME CAREFULLY! THE DRAWER EXTENSION PLATFORM IS FASTENED INTO THE WOODEN PACKING FRAME. REMOVE THE DRAWER EXTENSION PLATFORM AND SET ASIDE. DISCARD THE WOODEN PACKING FRAME. INSTALL EITHER 4 THREAD IN GLIDES OR 4 CASTERS WITH WASHERS AS SHOWN IN FIGURE #1 IF USING CASTERS, MAKE SURE FRONT CASTERS ARE LOCKED. **WITH HELP FROM ANOTHER PERSON**, GENTLY ROLL CABINET ONTO FRONT AND THEN UP ON ITS GLIDES OR CASTERS.

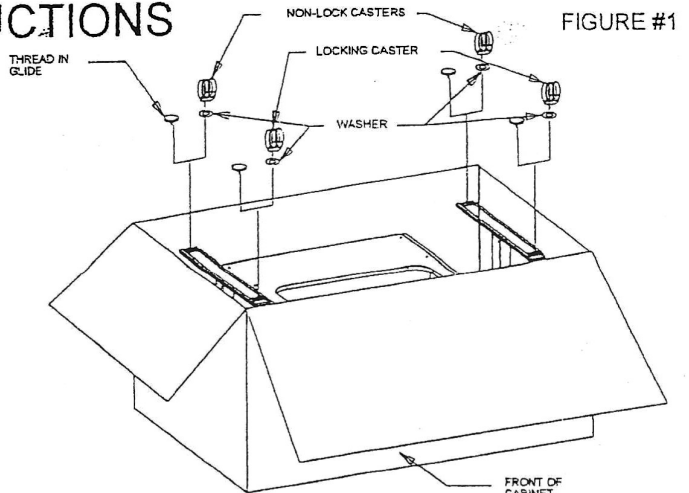


FIGURE #2

2. ROUTE ELECTRIC CORD AND REMOVE FILLER PANEL

PULL OUT WIRING GROMMET AND ROUTE POWER CORD THROUGH HOLE. PUSH WIRING GROMMET BACK IN PLACE. PLUG POWER CORD INTO POWER OUTLET. REMOVE FILLER PANEL BY REMOVING TAPE STRIPS WHEN UNPACKING. TO REMOVE INSERT/FILLER PANEL FROM TOP, PUSH UP FROM BOTTOM SIDE AS SHOWN IN FIGURE #2.

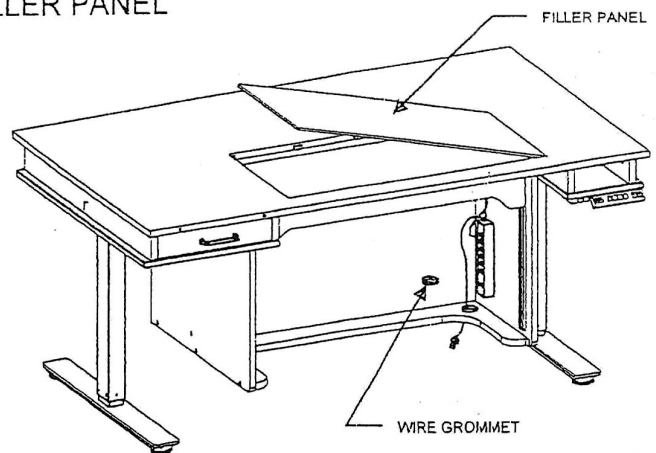
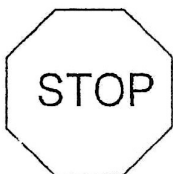
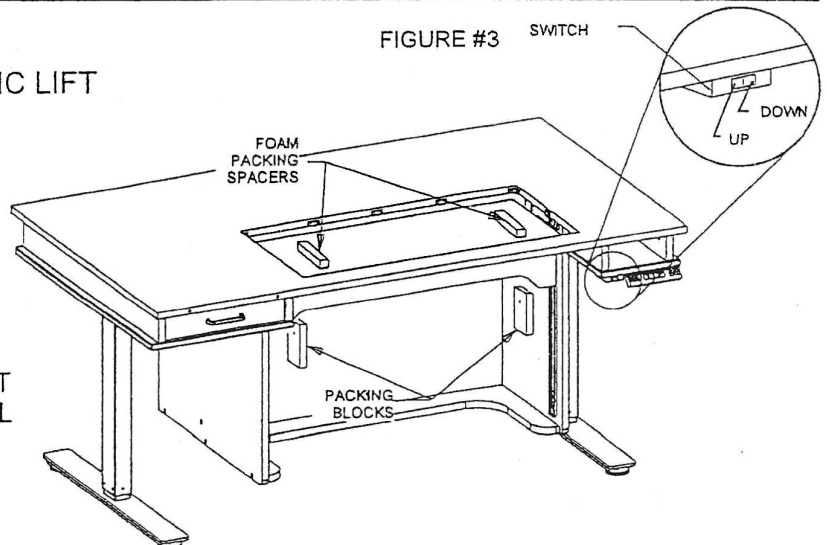


FIGURE #3

3. REMOVE PACKING FROM ELECTRIC LIFT

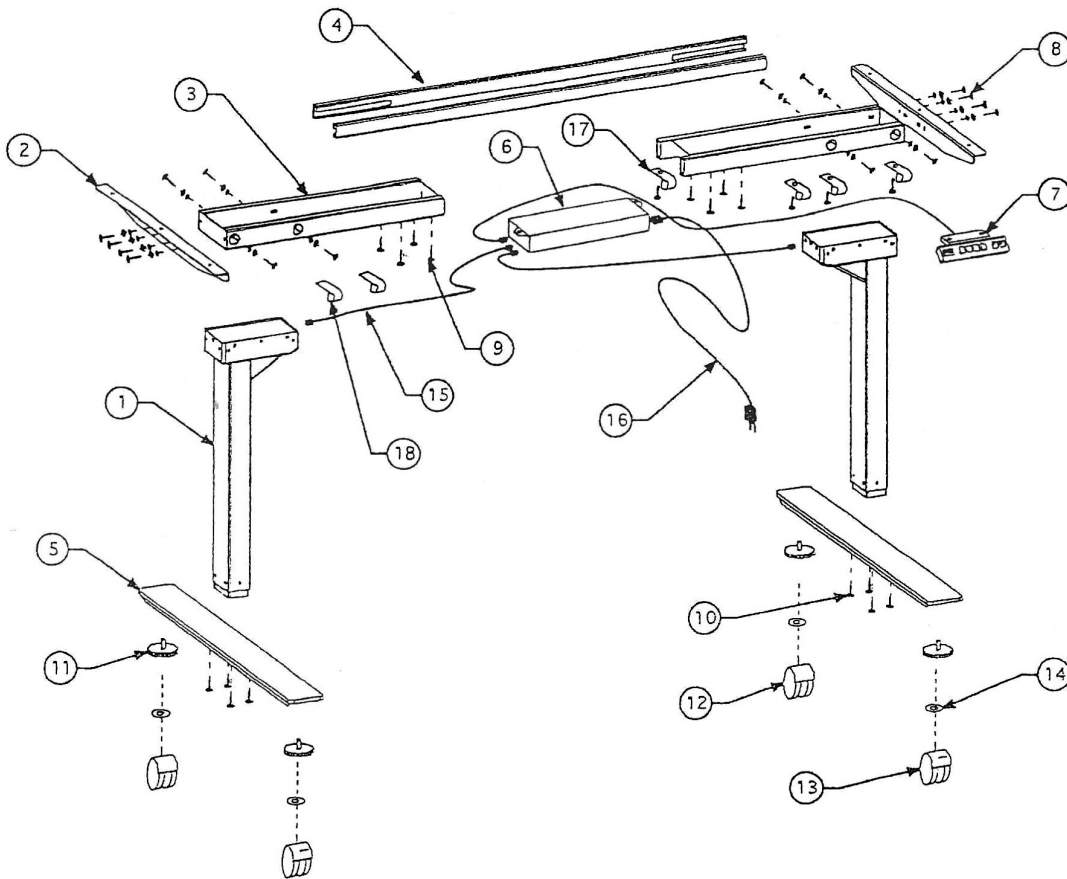
REMOVE 2 PACKING BLOCKS LOCATED UNDER LIFT BY REMOVING SCREWS. USE SWITCH AND LOWER PLATFORM. REMOVE 2 FOAM PACKING SPACERS AND DISCARD AS SHOWN IN FIGURE #3.



DO NOT OPERATE HEIGHT ADJUSTABLE TABLE UNTIL READING PAGE 3 OF THE INSTRUCTIONS.

TABLE LIFT PARTS DRAWING

4/2/2019



NOTE: WHEN ORDERING REPLACEMENT PARTS, PLEASE SPECIFY PART NUMBER _____ AND COLOR _____.

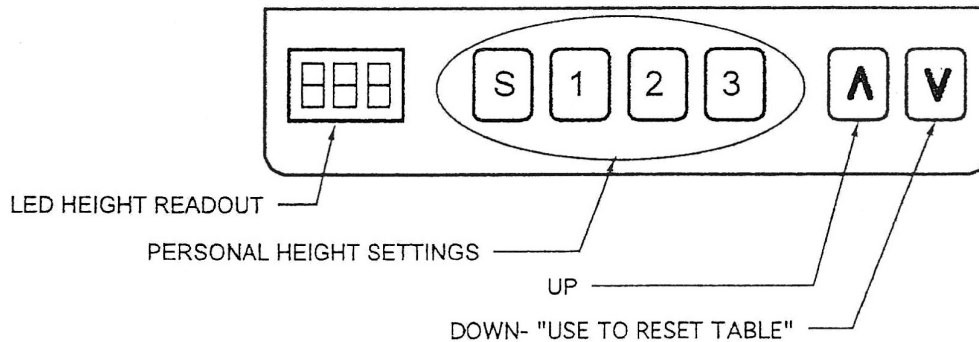
<u>PARGT NO.</u>	<u>DESCRIPTION</u>	<u>QTY. REQ.</u>
TABLIFT-1	LIFT COLUMN	2
TABLIFT-2	TOP MOUNTING BRACKET	2
TABLIFT-3	END RAIL ASSEMBLY	2
TABLIFT-4	RAIL	2
TABLIFT-5	FLOOR BASE	2
TABLIFT-6	CONTROL BOX WITH SCREWS	1
TABLIFT-7	HANDSET WITH SCREWS	1
TABLIFT-8	16mm BOLT, WASHER, AND LOCK WASHER	16
TABLIFT-9	10mm BOLT	8
TABLIFT-10	20mm BOLT	8
TABLIFT-11	GLIDE	4
TABLIFT-12	SCREW IN NON-LOCK CASTER	2
TABLIFT-13	SCREW IN LOCKING CASTER	2
TABLIFT-14	CASTER WASHER	4
TABLIFT-15	LIFT COLUMN CONNECTION CABLE	2
TABLIFT-16	POWER CABLE	1
TABLIFT-17	CABLE CLAMP WITH SCREW	4
TABLIFT-18	ADJUSTABLE ADHESIVE CABLE CLAMP	2

MODEL 9000A HEIGHT INSTRUCTIONS

4/4/2019

TABLE MUST BE RESET PRIOR TO OPERATION!!

TO RESET TABLE HOLD DOWN ARROW ON HANDSET FOR 10 SECONDS UNTIL TABLE MOVES DOWN AND STOPS. TABLE WILL MOVE BACK UP SLIGHTLY AND STOP. TABLE IS NOW RESET AND READY TO OPERATE.



USING PERSONAL HEIGHT SETTINGS

1. POSITION TABLE TO DESIRED HEIGHT
2. PUSH "S" KEY AND PUSH NUMBER KEY "1", "2", "OR "3"
3. POSITION HAS BEEN SAVED TO THAT NUMBER KEY
4. TO CHECK MANUALLY, ADJUST TABLE UP OR DOWN AND THEN PRESS NUMBER KEY
5. TABLE WILL MOVE TO SAVED POSITION

THIS TABLE HAS COLLISION SENSORS TO DETECT CHANGES IN FORCE GOING UP OR DOWN.

1. IF EXTRA WEIGHT IS APPLIED TO TABLE WHILE MOVING UPWARD, TABLE WILL STOP AND GO DOWN SLIGHTLY. TABLE RESET REQUIRED.
2. IF TABLE HITS OBJECTS WHILE MOVING DOWNWARD, TABLE WILL STOP AND MOVE UPWARD SLIGHTLY. TABLE RESET REQUIRED.

CAUTION!!

1. MAKE SURE NO OBSTACLES ARE IN THE DESK'S PATH.
2. MAKE SURE THE DESKTOP IS NOT TOUCHING ANY WALLS.
3. MAKE SURE ALL CORDS ARE APPROPRIATE LENGTH TO ACCOMMODATE THE CHANGE IN HEIGHT
4. CHILDREN SHOULD ONLY OPERATE DESK UNDER ADULT SUPERVISION.
5. KEEP LIQUIDS AWAY FROM ELECTRIC COMPONENTS.
6. DO NOT SIT OR STAND ON TABLE.
7. DO NOT CRAWL OR LIE UNDER THE TABLE.
8. WHEN LOWERING TABLE MAKE SURE THERE ARE NO OBJECTS UNDER TABLE.
9. DO NOT OPEN ANY OF THE ELECTRICAL COMPONENTS. THERE IS DANGER OF ELECTRICAL SHOCK.
10. THIS PRODUCT IS DESIGNED WITH A DUTY CYCLE OF 10% (5min. on, 20min. off).
11. IN THE EVENT OF A POWER OUTAGE OR IF THE POWER CORD IS UNPLUGGED, A MANUAL RESET MAY BE NECESSARY. TABLE RESET ABOVE.
13. WEIGHT CAPACITY: 217kg (480 lbs.)

USE-LIABILITY

This height adjustable desk has electric motors and is designed for use in dry work areas. The desk height is adjustable so that it can be positioned at the most ergonomically suitable height. Any other use is at user's risk. Under no circumstance does the manufacturer accept warranty or liability claims for damages caused from improper use or handling of desk frame.

MODEL 9000A ASSEMBLY INSTRUCTIONS

4/4/2019

1. UNPACKING CABINET

AFTER OPENING CARTON REMOVE THE WOODEN PACKING FRAME CAREFULLY! THE DRAWER EXTENSION PLATFORM IS FASTENED INTO THE WOODEN PACKING FRAME. REMOVE THE DRAWER EXTENSION PLATFORM AND SET ASIDE. DISCARD THE WOODEN PACKING FRAME. INSTALL EITHER 4 THREAD IN GLIDES OR 4 CASTERS WITH WASHERS AS SHOWN IN FIGURE #1 IF USING CASTERS, MAKE SURE FRONT CASTERS ARE LOCKED. **WITH HELP FROM ANOTHER PERSON**, GENTLY ROLL CABINET ONTO FRONT AND THEN UP ON ITS GLIDES OR CASTERS.

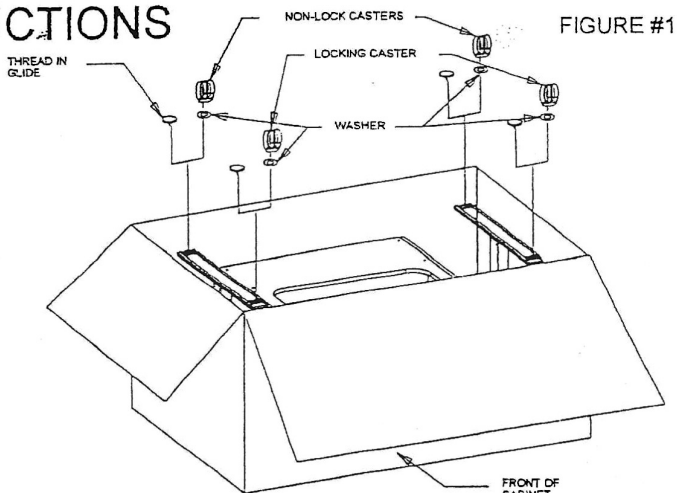


FIGURE #1

2. ROUTE ELECTRIC CORD AND REMOVE FILLER PANEL

PULL OUT WIRING GROMMET AND ROUTE POWER CORD THROUGH HOLE. PUSH WIRING GROMMET BACK IN PLACE. PLUG POWER CORD INTO POWER OUTLET. REMOVE FILLER PANEL BY REMOVING TAPE STRIPS WHEN UNPACKING. TO REMOVE INSERT/FILLER PANEL FROM TOP, PUSH UP FROM BOTTOM SIDE AS SHOWN IN FIGURE #2.

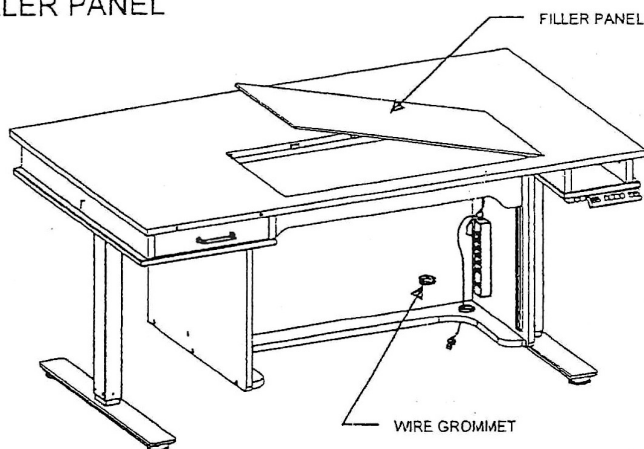


FIGURE #2

3. REMOVE PACKING FROM ELECTRIC LIFT

REMOVE 2 PACKING BLOCKS LOCATED UNDER LIFT BY REMOVING SCREWS. USE SWITCH AND LOWER PLATFORM. REMOVE 2 FOAM PACKING SPACERS AND DISCARD AS SHOWN IN FIGURE #3.

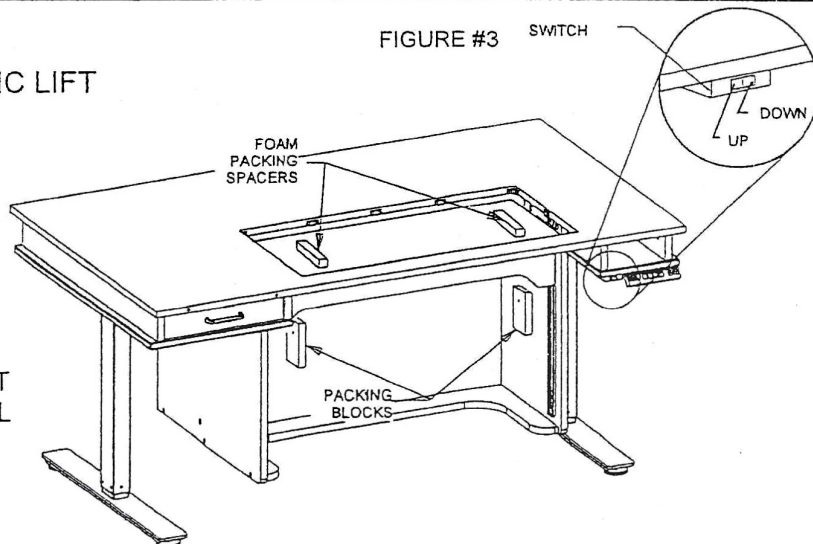
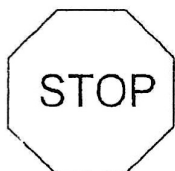


FIGURE #3



DO NOT OPERATE HEIGHT ADJUSTABLE TABLE UNTIL READING PAGE 3 OF THE INSTRUCTIONS.