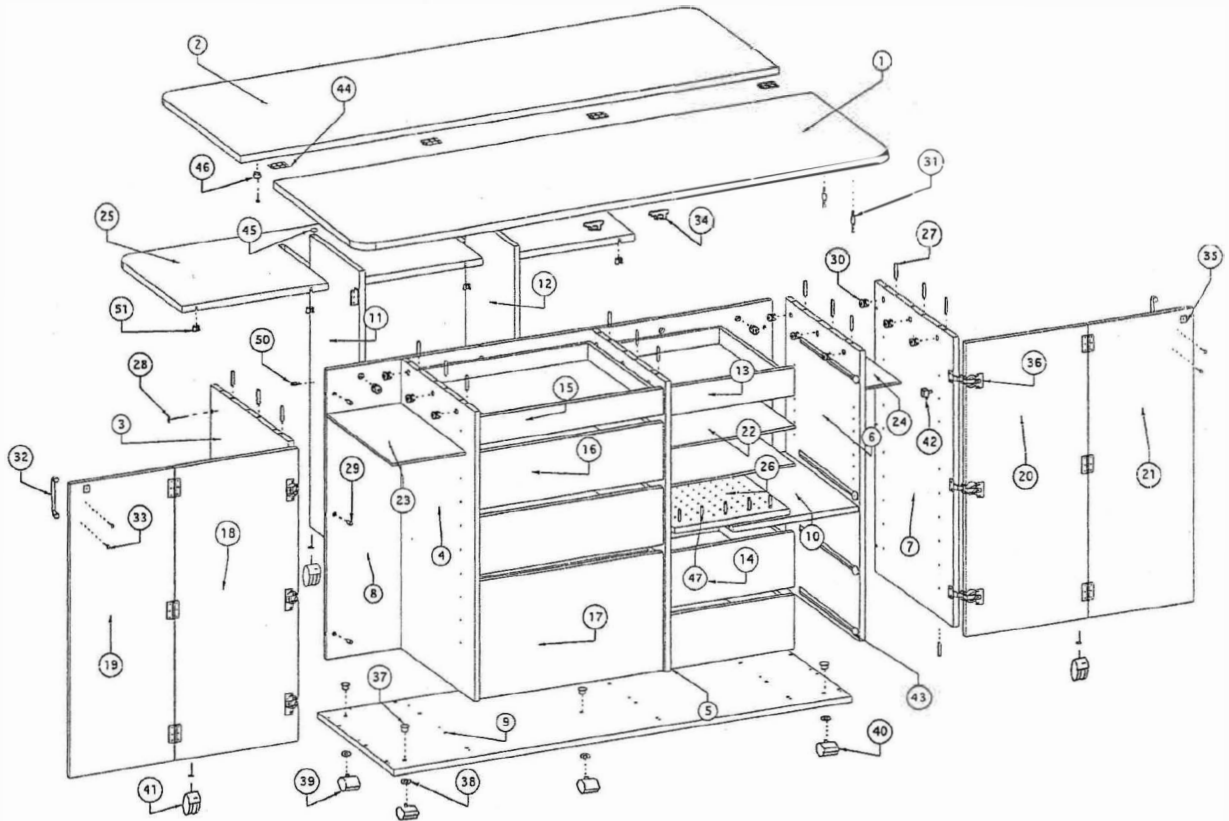


# MODEL 7600A PARTS DRAWING

03/23/2022

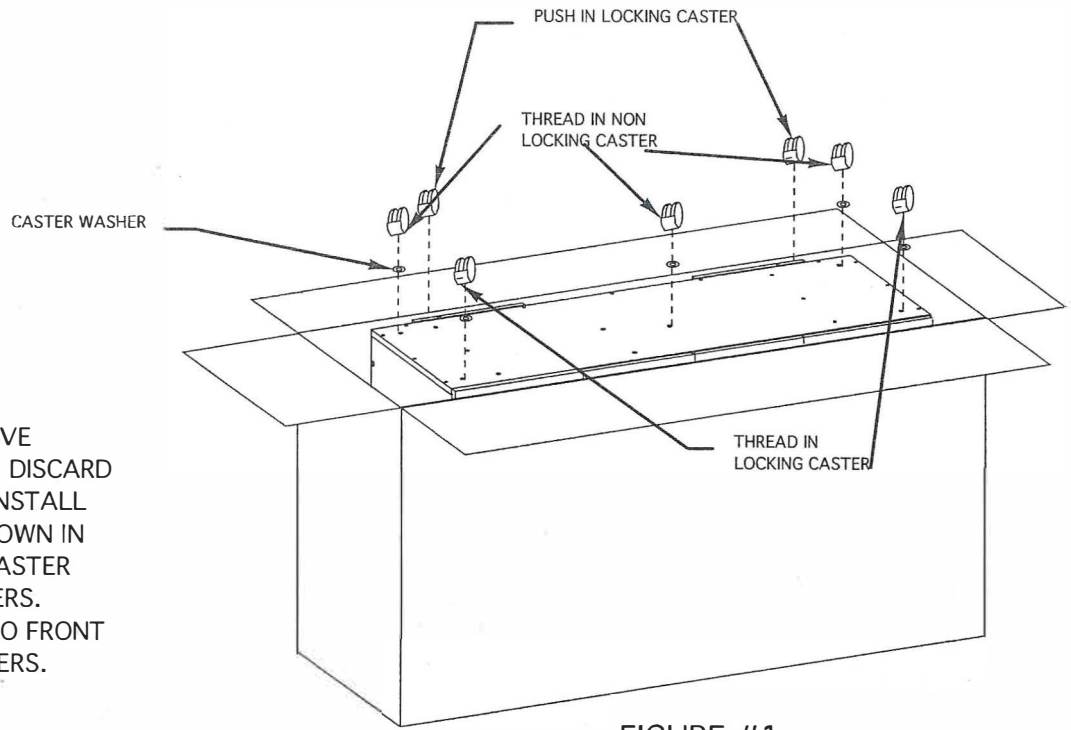


NOTE: WHEN ORDERING REPLACEMENT PARTS, PLEASE SPECIFY PART NUMBER \_\_\_\_\_ AND COLOR \_\_\_\_\_

HORN OF AMERICA, INC.  
P.O. BOX 608  
SUTTON, WV 26601  
PH: (800) 882-8845

PART NO.	PART DESCRIPTION	QTY. REQ.	PART NO.	PART DESCRIPTION	QTY. REQ.
7600A-1	TOP	1	7600A-27	WOODEN DOWEL	30
7600A-2	DROP LEAF	1	7600A-28	2" CONNECTOR BOLT	6
7600A-3	LEFT SIDE PANEL	1	7600A-29	BARREL NUT 5/8"	6
7600A-4	LEFT INTERIOR PANEL	1	7600A-30	CAM LOCK	17
7600A-5	MIDDLE PANEL	1	7600A-31	CAM LOCK PIN	17
7600A-6	RIGHT INTERIOR PANEL	1	7600A-32	PULL HANDLE	2
7600A-7	RIGHT SIDE PANEL	1	7600A-33	7/8" DOOR PULL SCREW	4
7600A-8	BACK	1	7600A-34	MAGNETIC CATCH W/SCREWS	2
7600A-9	BOTTOM	1	7600A-35	STRIKE PLATE W/SCREW	2
7600A-10	SHELF	1	7600A-36	270 DEGREE DOOR HINGE W/SCREWS	6
7600A-11	LEFT SUPPORT PANEL	1	7600A-37	5/16" THREAD INSERT NUT	5
7600A-12	RIGHT SUPPORT PANEL	1	7600A-38	CASTER WASHER	5
7600A-13	RIGHT SMALL DRAWER W/SLIDES	1	7600A-39	5/16" THREAD NON-LOCK CASTER	3
7600A-14	RIGHT MEDIUM DRAWER W/SLIDES	2	7600A-40	5/16" THREAD LOCKING CASTER	2
7600A-15	MIDDLE SMALL DRAWER W/SLIDES	1	7600A-41	PUSH IN LOCKING CASTER	4
7600A-16	MIDDLE MEDIUM DRAWER W/SLIDES	2	7600A-42	ADJUSTABLE SHELF PINS	36
7600A-17	MIDDLE LARGE DRAWER W/SLIDES	1	7600A-43	DRAWER GUIDE (1 SET) W/SCREWS	8
7600A-18	LARGE LEFT DOOR	1	7600A-44	BUTT HINGE W/SCREWS	14
7600A-19	SMALL LEFT DOOR	1	7600A-45	GLIDE TACK	2
7600A-20	LARGE RIGHT DOOR	1	7600A-46	NYLON STOP W/SCREW	2
7600A-21	SMALL RIGHT DOOR	1	7600A-47	PLASTIC PEG	108
7600A-22	LARGE ADJUSTABLE SHELF	1	7600A-50	SHORT CAM PIN	10
7600A-23	MEDIUM ADJUSTABLE SHELF	3	7600A-51	SLIDE ON CAM LOCK	10
7600A-24	SMALL ADJUSTABLE SHELF	3			
7600A-25	BACK SHELF PANEL	1			
7600A-26	PULL OUT SHELF	1			

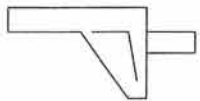
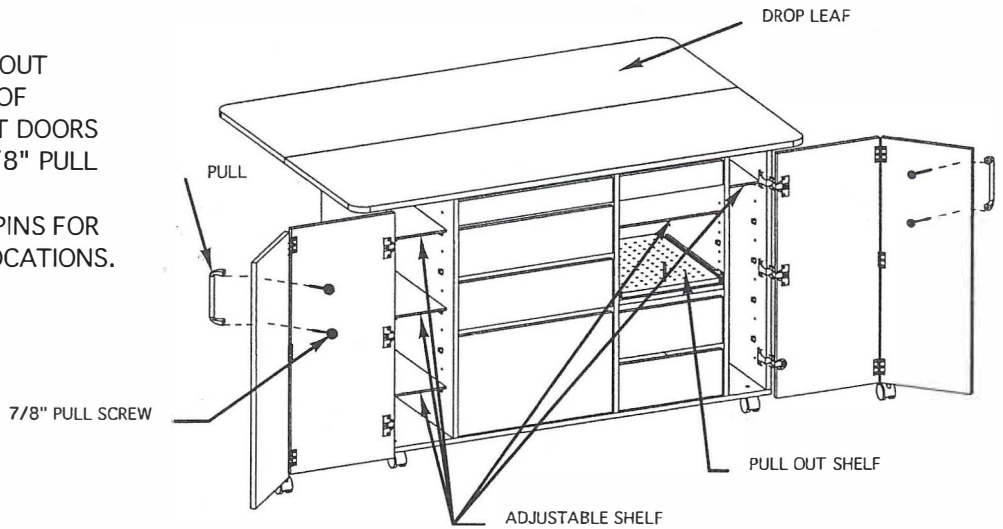
# MODEL 7600 ASSEMBLY INSTRUCTIONS



1. AFTER OPENING CARTON REMOVE THE WOODEN PACKING FRAME. DISCARD THE WOODEN PAKING FRAM. INSTALL CASTERS INTO CABINET AS SHOWN IN FIGURE #1. BE SURE TO USE CASTER WASHERS ON THREADIN CASTERS. GENTLY ROLL CABINET OVER TO FRONT AND THEN SET UP ONTO CASTERS.

FIGURE #1

2. SWING UP DROP LEAF AND PULL OUT 2 SUPPORT PANELS FROM BACK OF CABINET. OPEN LEFT AND RIGHT DOORS AND INSTALL 1-PULL USING 2-7/8" PULL SCREWS ON EACH DOOR. INSTALL 4 ADJUSTABLE SHELF PINS FOR FOR EACH SHELF AT DESIRED LOCATIONS. INSTALL ADJUSTABLE SHELFS.



ADJUSTABLE  
SHELF PIN

FIGURE #2

MODEL 7600  
ASSEMBLY INSTRUCTIONS

3. INSTALL PLASTIC PEGS INTO PULL OUT SHELF IN DESIRED LOCATIONS BY DRIVING THEM INTO HOLES WITH A SMALL HAMMER.

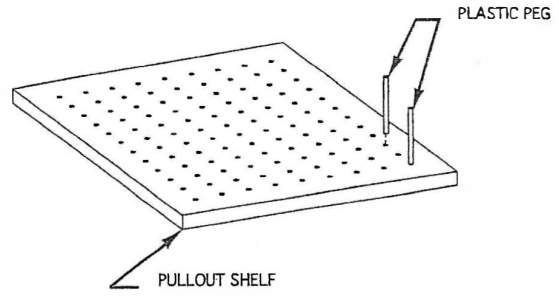


FIGURE #3

4. INSTALL 10 - SHORT CAM PINS ON THE BACK AND SUPPORT PANELS WITH A PHILIPS SCREWDRIVER. SLIDE SHELF INTO SUPPORT PANELS THEN DOWN ONTO CAM PINS. USE A PHILLIPS SCREWDRIVER TO LOCK THE SLIDE ON CAM LOCKS.

FIGURE #4

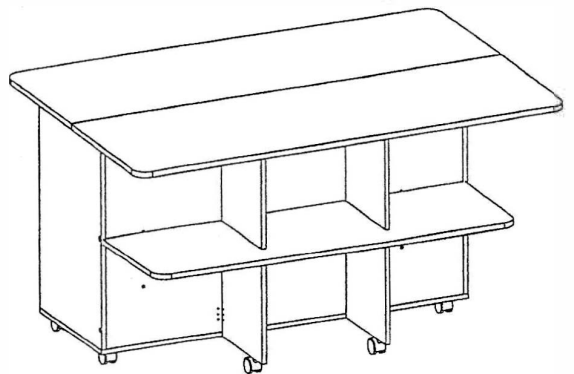
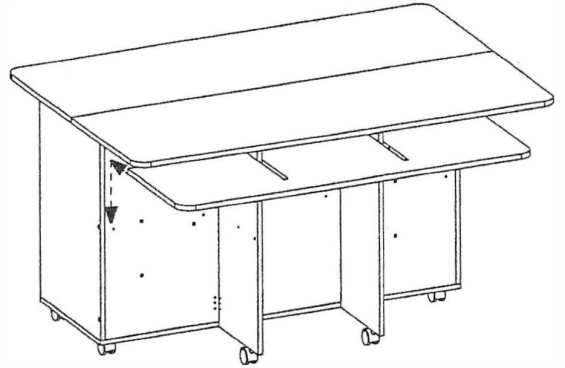


FIGURE #5