



— Summito —

**ASSEMBLY &
OPERATING
INSTRUCTIONS**
Ergofino Office Chair

About Ergofino

Who are we?

Ergofino GmbH was founded in the German city Reutlingen. We have a simple but clear goal: to offer ergonomic and high-quality furniture with the best price-performance ratio. It is held in our plan that product quality always comes first.

What marks us out as ideal seller?

1. Outstanding quality: Our product is certified by SGS.
2. Manufacturer-to-consumer (M2C): Better prices are guaranteed without intermediaries.
3. Fast shipping: Your order will be shipped from our warehouse in Germany the next working day.
4. Free returns: Send the product back to us free of charge within 30 days.
5. Extended warranty: We guarantee long-term repair of single components outside the warranty period.

Why choose us?

Our qualified customer service is available before and after your purchase. The satisfaction of our customers is very important to us. Order from us, let our ergonomic concept and our excellent furniture convince you!

Product Specification

Technical specs

Own weight	21 kg
Max. load	approx. 150 kg
Seat height	45 to 54 cm
Seat width	52.5 cm
Backrest	71.5 (H) * 50.5 (W) cm
Locking positions	4 (111°, 119°, 127°, 135°)
Armrest	Height: 64 to 70 cm
Base	Ø 70 cm

Mechanism

- Weight-activated mechanism
- Adjustable lumbar support
- Tilt lock in 4 positions
- Adjustable headrest
- Breathable mesh fabric

Material

Frame	100% nylon
Textiles	oxford cloth + nylon wire
Armrest	plastic + PU-overlay
Chair legs	polished aluminum
Wheels	plastic + PU-outside

Safety Instructions



Failure to follow the assembly & operating instructions and safety warnings may result in serious property damage or personal injury.



Liability: The manufacturer accepts no liability for damage caused by improper use or by non-observance of these operating instructions.



Please use this device only for the intended use described in these instructions.



Please use only attachments recommended by the manufacturer.



Never replace or repair the gas spring yourself. If you have any problems, please contact our professionals.

Assembly

CHECKLIST & INSTALLATION

OVERVIEW OF COMPONENTS



Wheel *5



Base *1



Gas spring *1



Seat *1



Backrest *1



Armrest *1



Headrest *1

OVERVIEW OF ACCESORIES



M8 x 16 mm

* 2



M6 x 25 mm

* 2



M8 x 20 mm

* 4



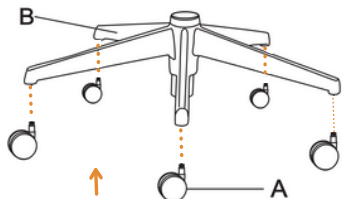
Wrench

* 1

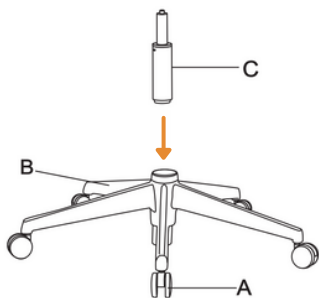


INSTALLATION

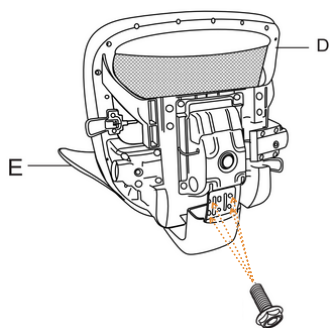
01



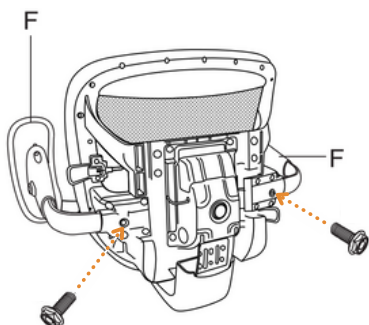
02



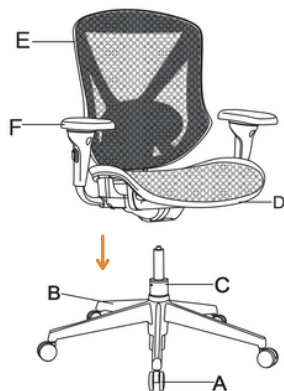
03



04



05



06



Care Instructions

1. To keep the chair from scratches or damage, please place the product on a level surface.
2. Please do not allow sharp objects or knives to touch the surface of the product.
3. It is forbidden to clean the office chair with acids or alkali chemicals. Otherwise, the quality and lifecycle of the product would be affected.
4. Protection from direct sunlight is recommended to prevent fading and yellowing of the product.
5. To ensure the using safty, please check regularly that all screws and other accessories are properly tightened.
6. For daily cleaning, wipe the dust off the fabric with a clean, soft cloth. The joints between the back, armrest and seat can be cleaned with a vacuum cleaner.

Return & Warranty

Exchange and return

Within 30 days from the date of original purchase

Warranty

3 years for wheels, base, gas spring and control mechanisms

1 year for upholstery fabric under normal use

Repair service

Outside the warranty period, you can also get in touch with us via email or phone. We offer long term repair service for single components.

Contact

If you have any further questions about our products, please contact us:

Ergofino GmbH

Address:

In Laisen 31, 72766, Reutlingen, Germany

E-mail:

info@ergofino.de

Website:

www.ergofino.de

Manufacturer

UE FURNITURE CO., LTD.

Address:

No.1 yongyi west Road, Anji Country, Zhejiang,
China