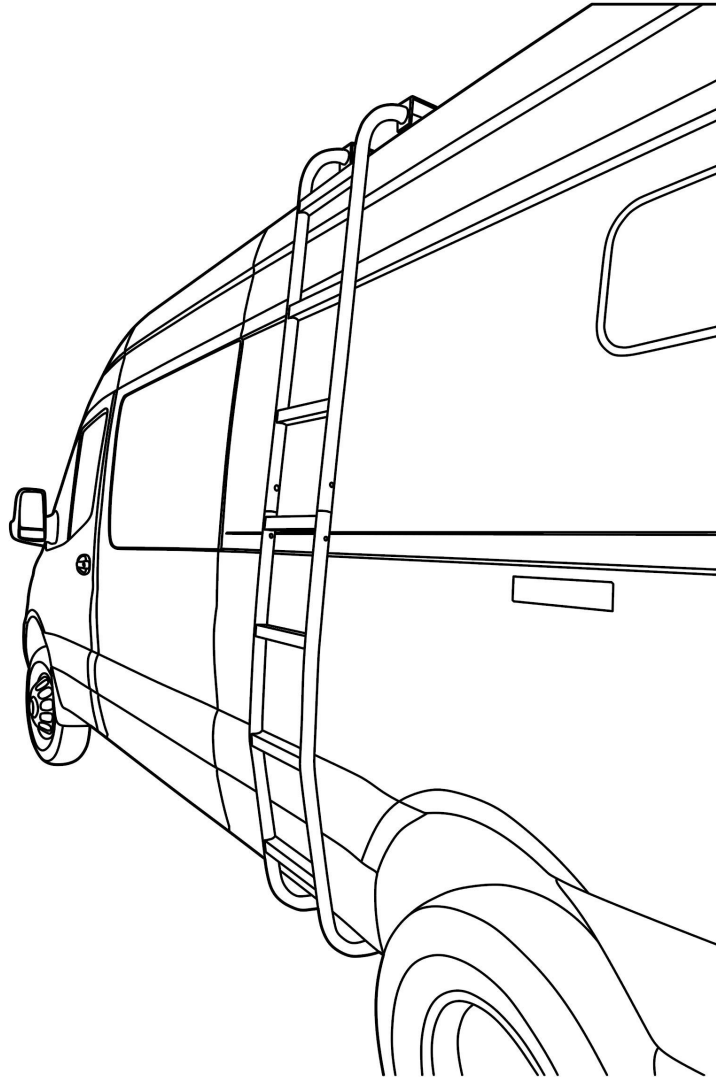
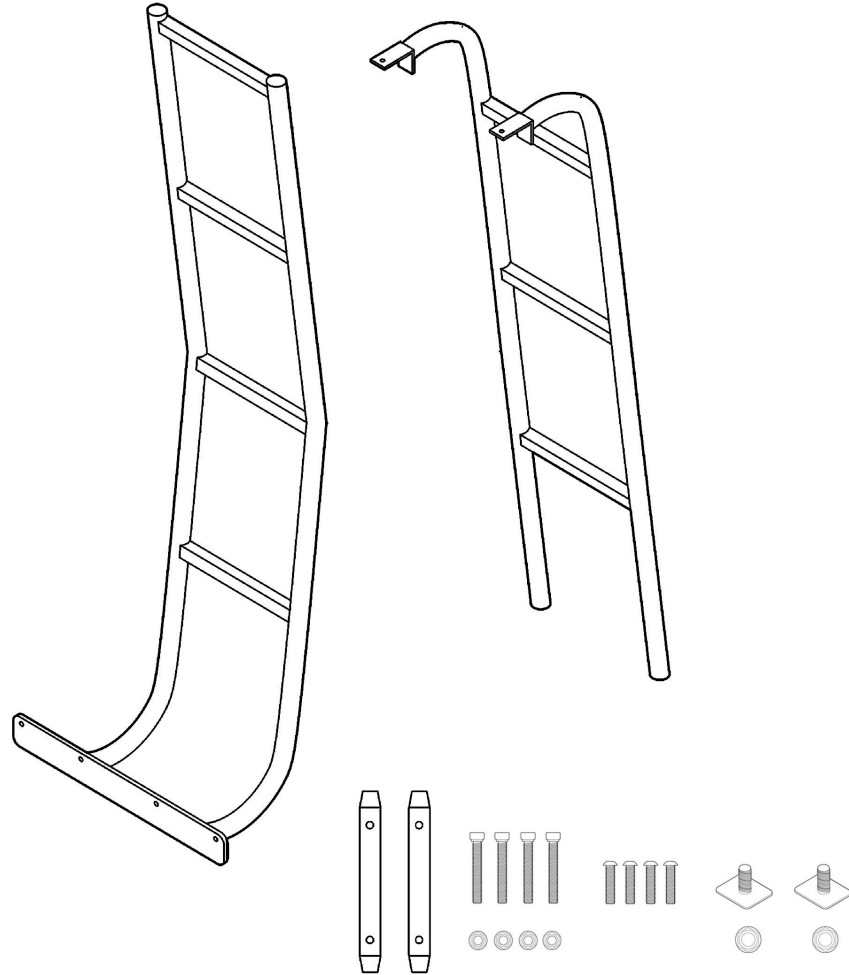


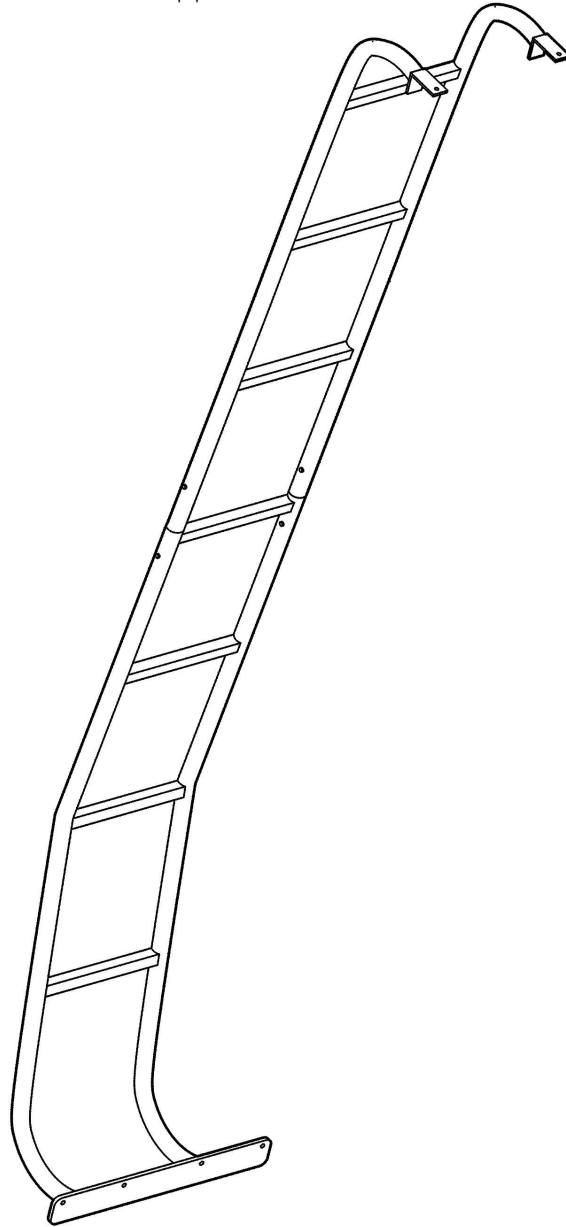
# Sprinter Side Ladder Installation Guide



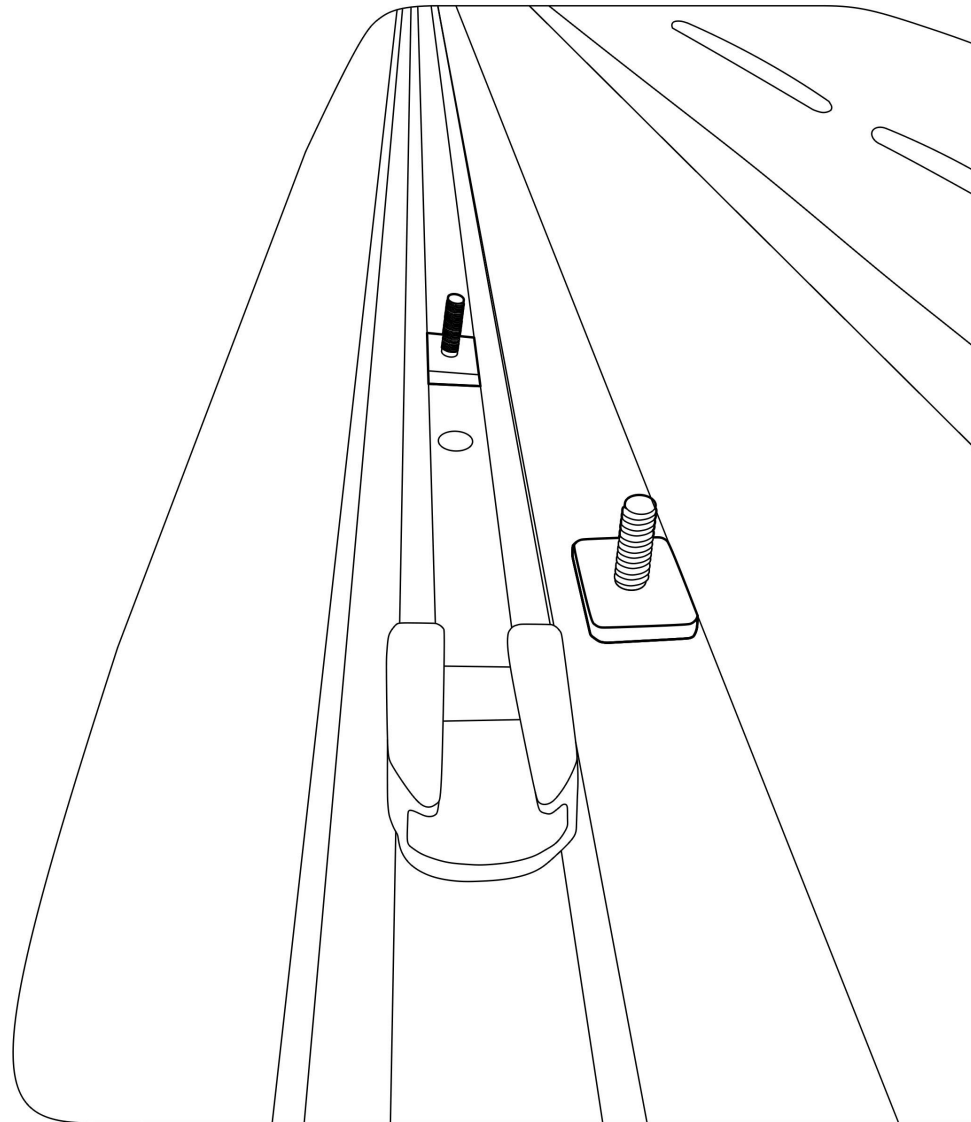
# 1. Make sure you have all the accessories



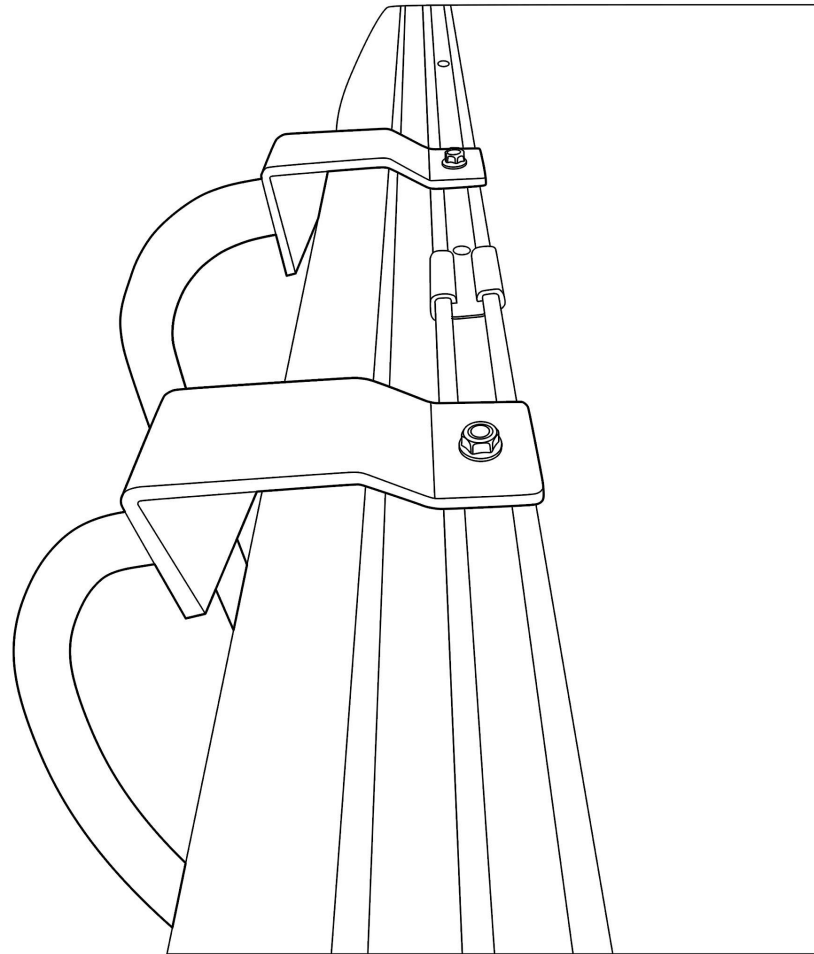
2. Combine the upper and lower sections of the ladder



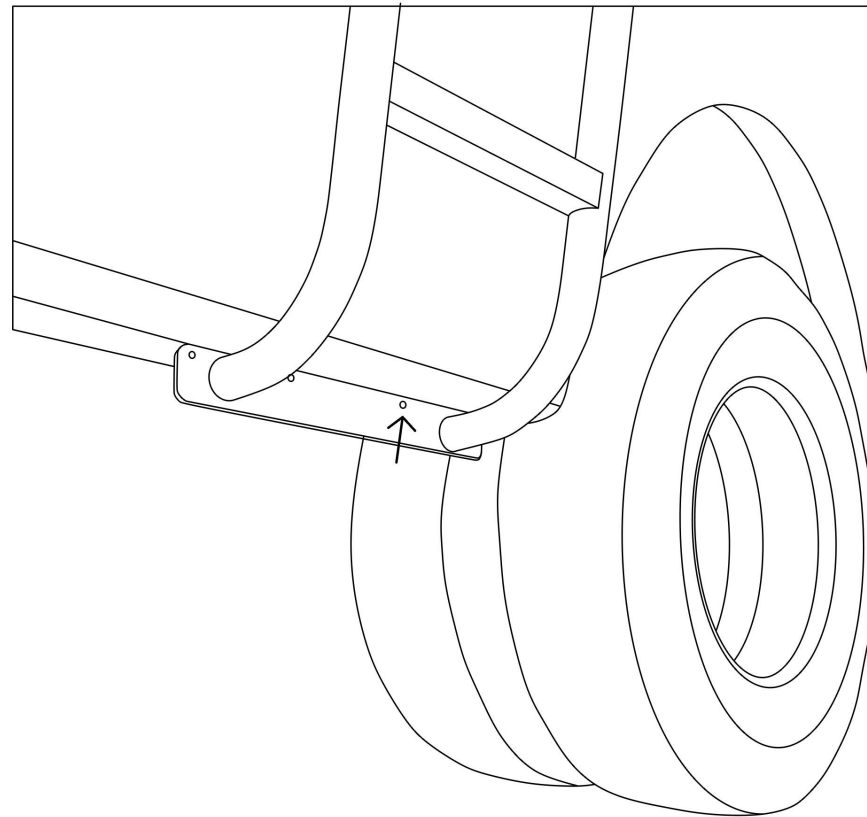
3. Slide the T-screws into the roof rails



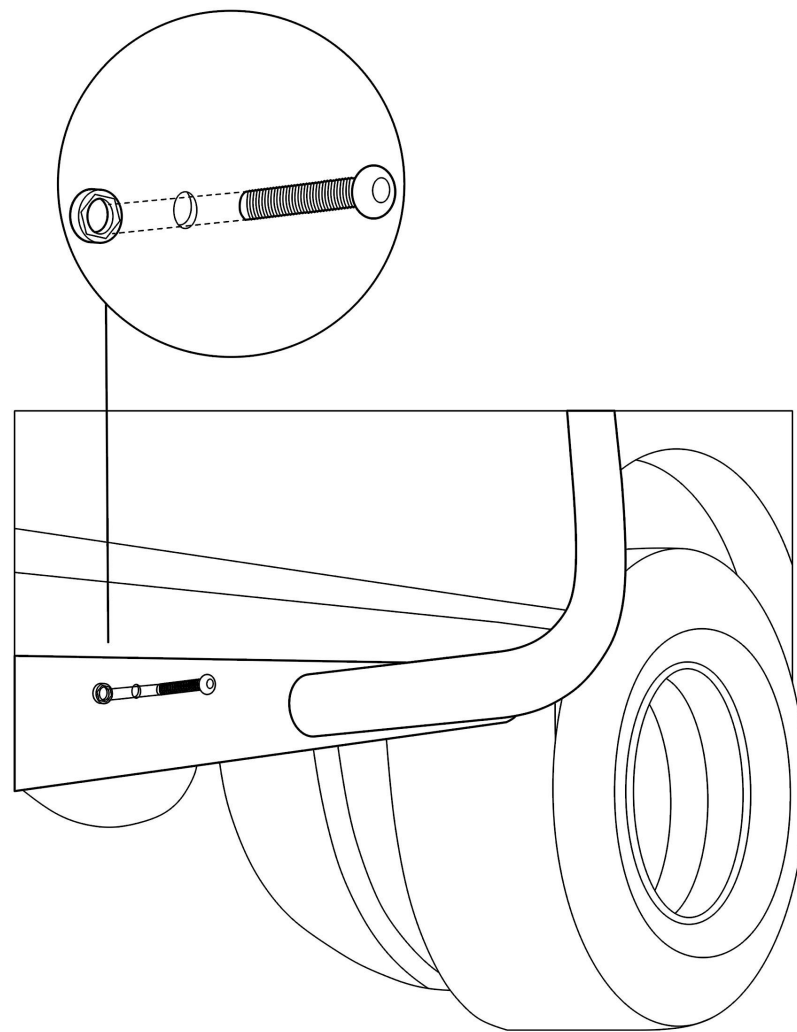
4. Attach the top of the ladder to the roof rail



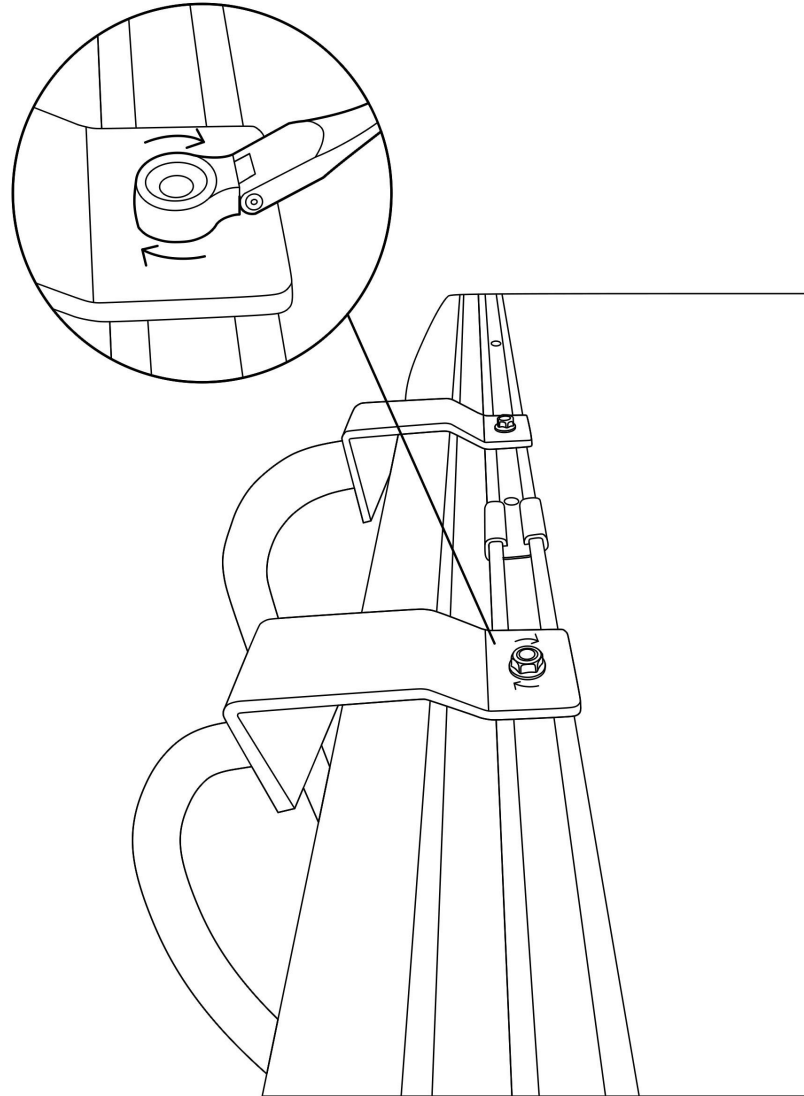
5. Drill holes that match with the ladder



6. Insert the screws and tighten



## 7. Tighten the top screws





8. Tighten the screws at the connection

