

Tec Vanlife

Sprinter Drop Down Running Board Installation Guide

Version 1.1 - Updated Installation Manual



Pre-Installation Checklist

Before you begin, ensure you have the following items:

- M6 Allen Key
 - M8 Wrench
 - 5/16" or 8mm Drill Bit
 - 7/16" or 10mm Drill Bit
-

-
- Rivet Nut Gun
 - Rust Proofing Solution

Safety Warnings

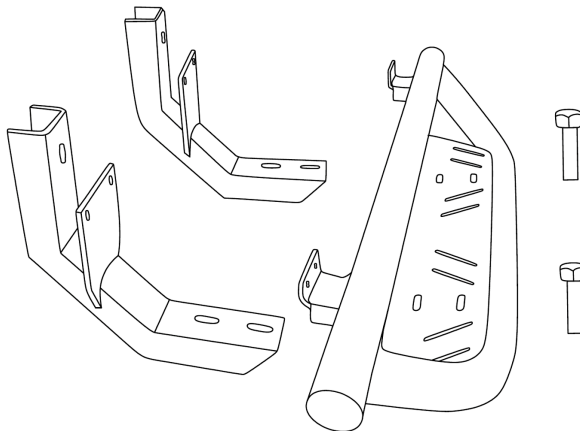
- Read the entire guide before starting.
- Wear safety gear, including eye protection.
- Install on a flat, stable surface.
- If uncertain at any point, seek professional help.

Estimated Installation Time

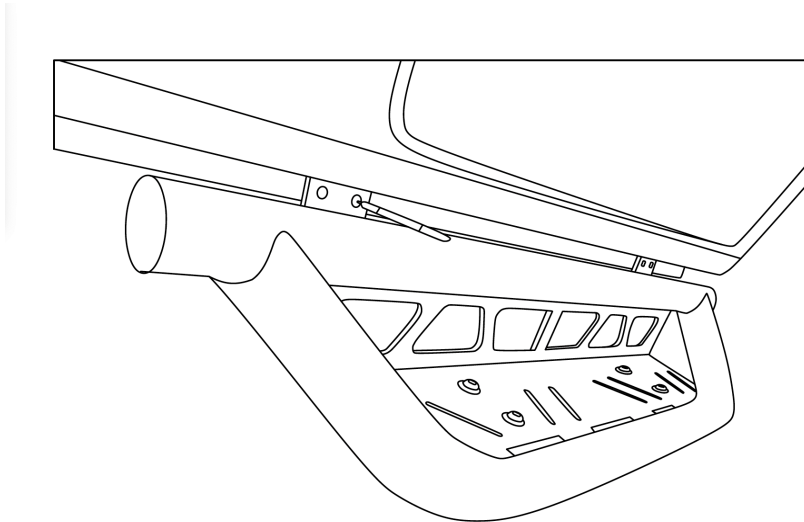
3 Hours

Installation Steps

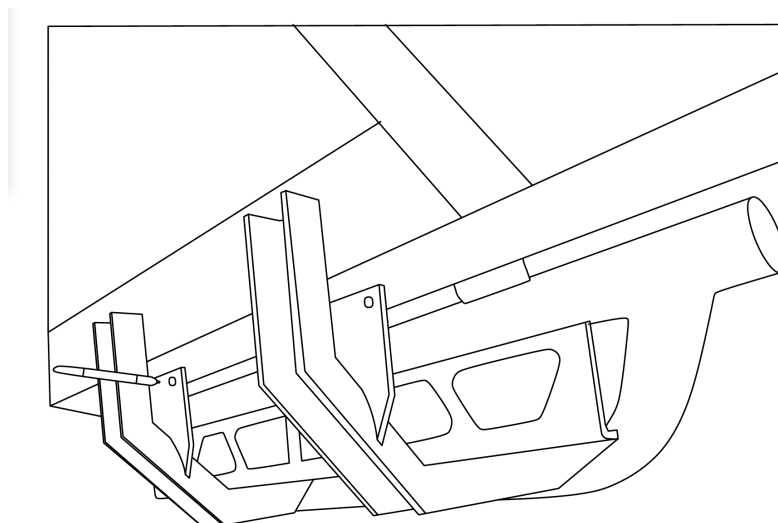
1. **Bracket Attachment:** Affix the brackets to the steps without fully tightening them. This temporary positioning is to accurately mark the locations where holes will need to be drilled on the van.



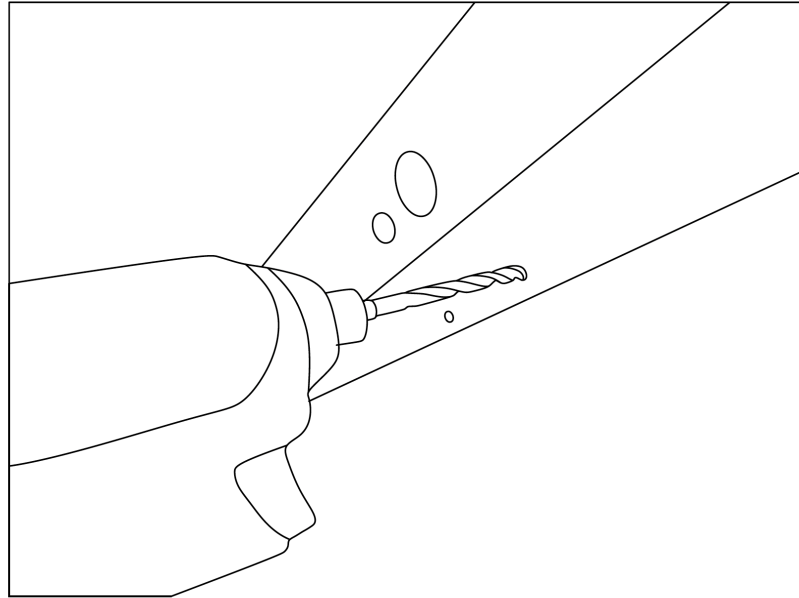
-
2. **Positioning:** Position the drop down step in the appropriate position against the van and mark the 4x drilling points as indicated in the figure below.



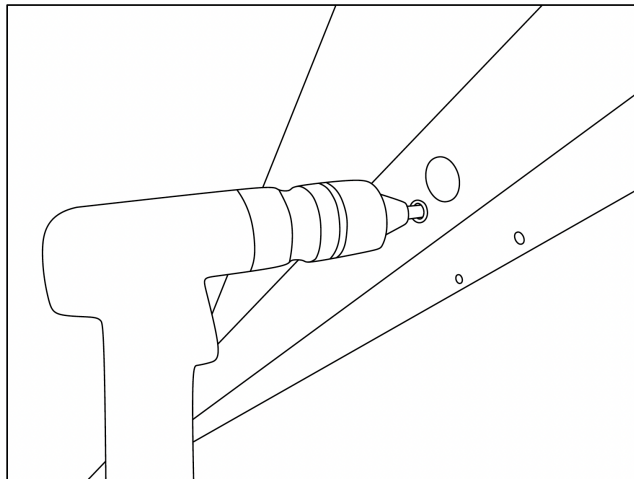
3. **Marking Van Body:** With the step in position, also mark the **bracket attachment points**.



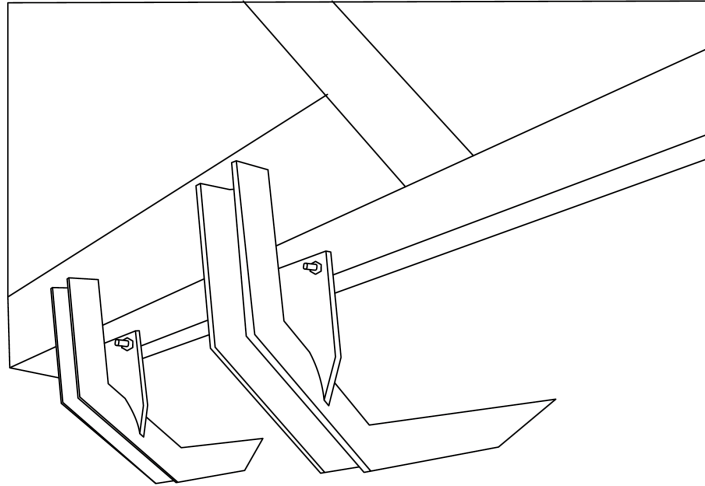
-
4. **Drilling:** Using a **5/16" or 8mm** drill bit, drill holes at the marked points on the bottom lip of the van. Then, using a **7/16" or 10mm** drill bit, drill holes at **the bracket attachment points on the van body**.



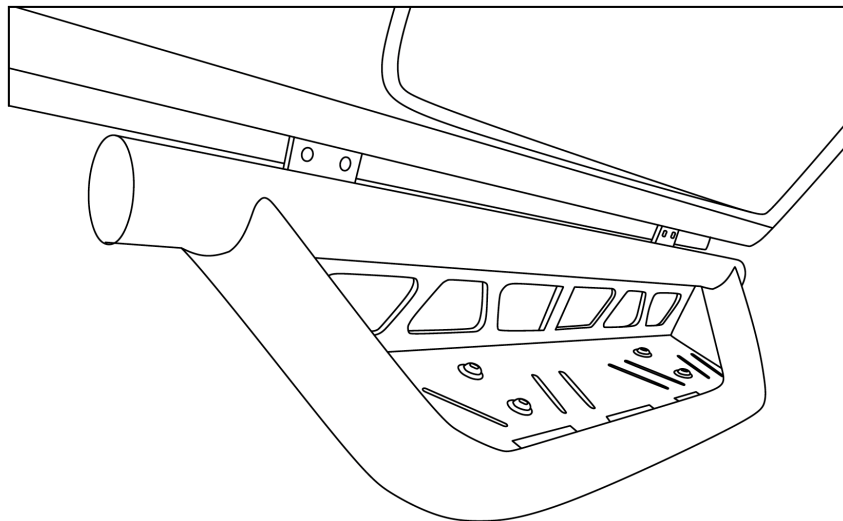
5. **Rivet Nuts:** Apply the rust proofing solution to the drilled holes to prevent corrosion. Install the rivet nuts into the holes **at the bracket attachment points on the inner side of the van body**.



-
6. **Bracket Fixing:** Detach the brackets from the steps and secure them to the van body using the M10 bolts provided in the package. Fasten these to the rivet nuts that were installed earlier.



7. **Step Attachment:** Secure the step to the van by bolting it through the holes drilled earlier. Ensure the step is also firmly bolted to the brackets.



Here is a photo showing the brackets and step securely attached to the van.



Final Step: Confirm the step and brackets are securely attached and that the running boards are stable and level. Repeat the installation process for all running boards.

Maintenance

Regularly inspect the running board to ensure it remains securely fitted.

Customer Support

For assistance, please contact our customer support team at hello@tecvan.ca.

Thank you for choosing Tec Vanlife for your Sprinter adventures!