

For FAQs and more information, please Visit:

YoshinoPower.com

Yoshino Technology Inc.



Tech support based in the USA!

1 (800) 513-2797

customersupport@YoshinoPower.com

Operating hours are 8:00 am – 4:30 pm PST (M-F).

18529 East Gale Avenue, City of Industry, CA 91748

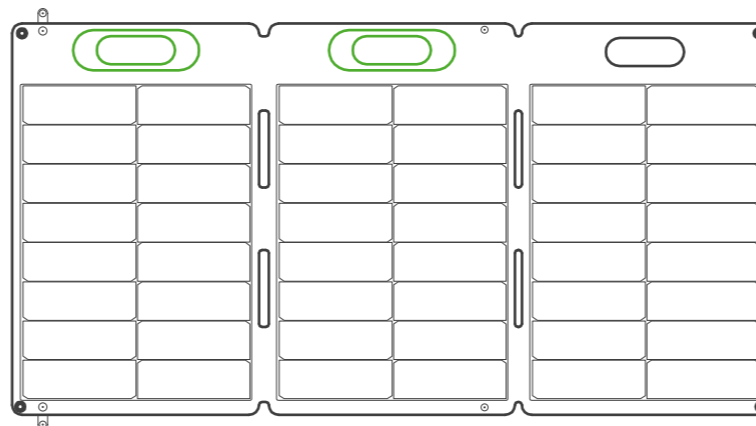
www.YoshinoPower.com



User Manual

SP100

Portable Solar Panel 100W
Rated Output: 100W / 18.24V



Frequently Asked Questions

1. Why isn't my device charging?

- A. Check cable is connected properly and securely.
- B. Check the panel is getting adequate sunlight.
- C. Check the surface of the panel is clean and clear of debris.

2. Why won't my solar panel reach the maximum rated power output?

The rated power of the solar panel is a value calculated under STC, or standard test conditions with a surface temperature of 25°C, air mass of 1.5, and a solar intensity of 1000W/m². Under actual use the solar panel will be affected by the sun's intensity and angle.

3. Is my solar panel waterproof?

The solar panel has a rating of IP67. While it is resistant to water and rain, it is not waterproof and should not be left outside in constant wet conditions.

Warranty

Note:

This warranty applies only for customers who purchased their product on Yoshino's website or Yoshino authorized retailers. Do not use your product until you have read the terms of the warranty.

Limited Warranty

These after-sales policies apply to Yoshino Technology, Inc. (Yoshino) products purchased directly from YoshinoPower.com or authorized resellers in North America and are provided only to the original purchaser of the product.

By using your Yoshino product, you agree to be bound by these terms. If you do not agree or are not eligible for these terms of use, do not use your Yoshino product and return to the place of purchase or contact us within seven days to obtain a refund in accordance with our return policies.

What is Covered

Under this limited warranty, Yoshino Technology, Inc. warrants that each product will be free from defects in material and workmanship for a period of 12 months from the date the product is purchased or delivered to the purchaser.

What is Not Covered

This policy does not cover the following:

- Product that has been abused, misused, or otherwise not operated within the parameters of the literature provide with the product
- Product with evidence of water damage or from use in bad weather (i.e., rain, dust/sandstorms)
- Product that has been modified or had a repair attempted by anyone other than a Yoshino authorized repair facility
- Any product not purchased directly from Yoshino or an authorized reseller

To Obtain Warranty Service Contact Customer Support at customersupport@YoshinoPower.com



Tech support based in the USA!

1 (800) 513-2797 customersupport@YoshinoPower.com

Operating hours are 8:00 am – 4:30 pm PST (M-F).

Thank you for purchasing a Yoshino solar panel. Before attempting to use this product. Please read these instructions carefully to learn about the features and capabilities of the solar panel and how you can get the best out of it.

Product Features

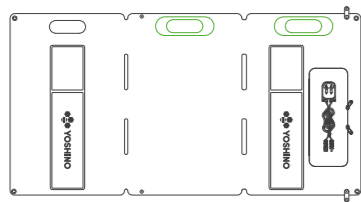
1. One piece foldable design for easy setup and transport.
2. Carefully selected monocrystalline solar cells for reliable performance.
3. Protective ETFE lamination and IP67 rating provides protection against the environment.

Technical Specifications

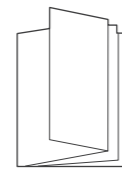
Model	SP100	
Rated Power	100W	
Cell Efficiency	23%	
Rated Voltage	18.24V	
Rated Current	6.03A	
Open Circuit Voltage	21.8V	
Short Circuit Current	6.33A	
MC4 Output	100W / 18.24V	
Dimensions	Folded	15.9 x 24.9 x 1.4 inches / 404 x 633 x 35 mm
	Unfolded	48.1 x 24.9 x 0.2 inches / 1223 x 633 x 5 mm
Operating Temperature Range	14 to 158°F / -10 to 70°C	
IP Rating	IP67	
Warranty Period	12 Months	
Tested And Certified		

Made In Vietnam

In the Box



SPI00 Solar Panel



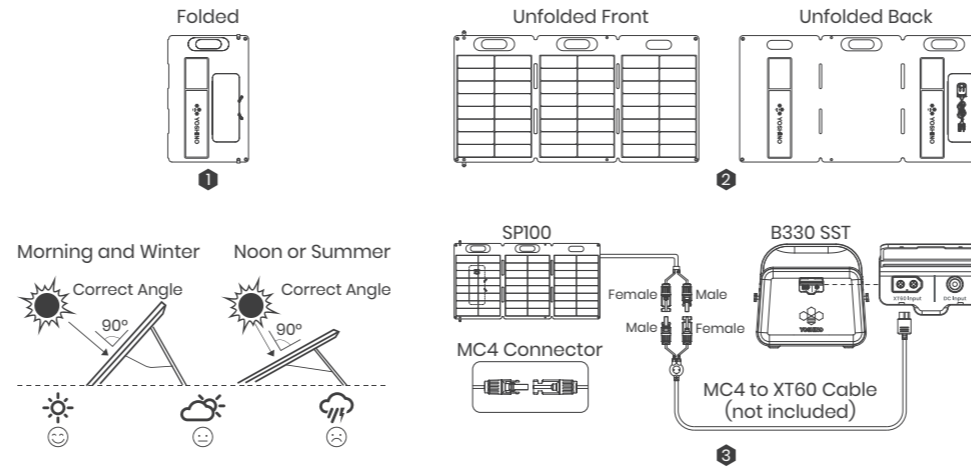
User Manual



Tech support based in the USA!
 1 (800) 513-2797 customersupport@YoshinoPower.com
 Operating hours are 8:00 am - 4:30 pm PST (M-F).

Operating Instructions

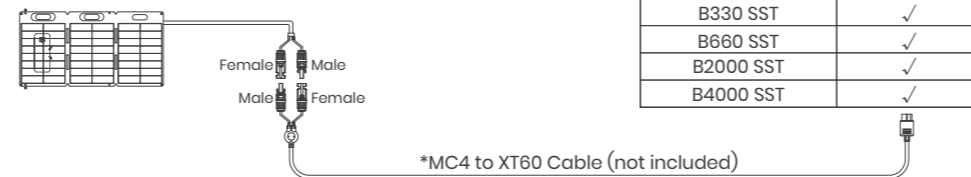
1. Unzip the cable storage pouch on back of unit to access the MC4 connection cable.
2. Unfold the solar panels and spread the stands on back of unit to support the solar panels.
3. Plug the MC4 connection cable to the MC4 to XT60 connection cable provided with the portable power station.



The SPI00 Solar Panel can be used to charge Yoshino Portable Power Stations in series or parallel as shown in the following illustrations.

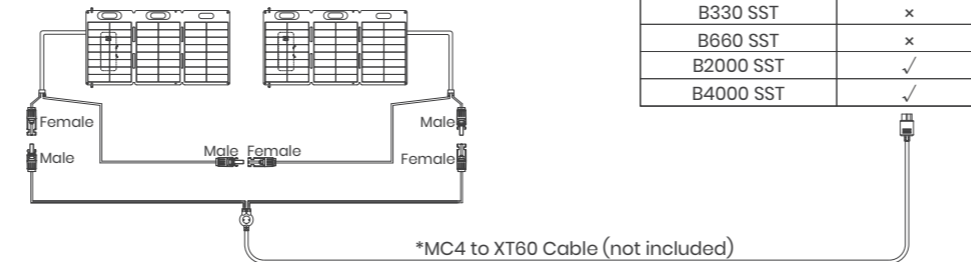
*Please make sure to use the same model for series or parallel connection.

Example 1



Supported Product	SP100(100W)
B330 SST	✓
B660 SST	✓
B2000 SST	✓
B4000 SST	✓

Example 2 (Series)

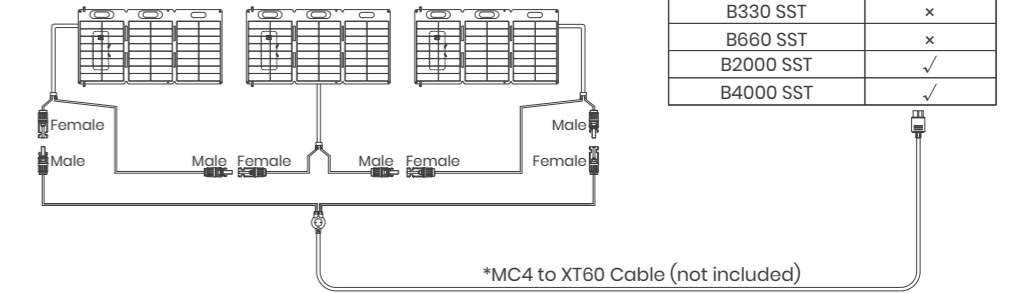


Supported Product	SP100(100W)
B330 SST	×
B660 SST	×
B2000 SST	✓
B4000 SST	✓



Tech support based in the USA!
 1 (800) 513-2797 customersupport@YoshinoPower.com
 Operating hours are 8:00 am - 4:30 pm PST (M-F).

Example 3 (Series)

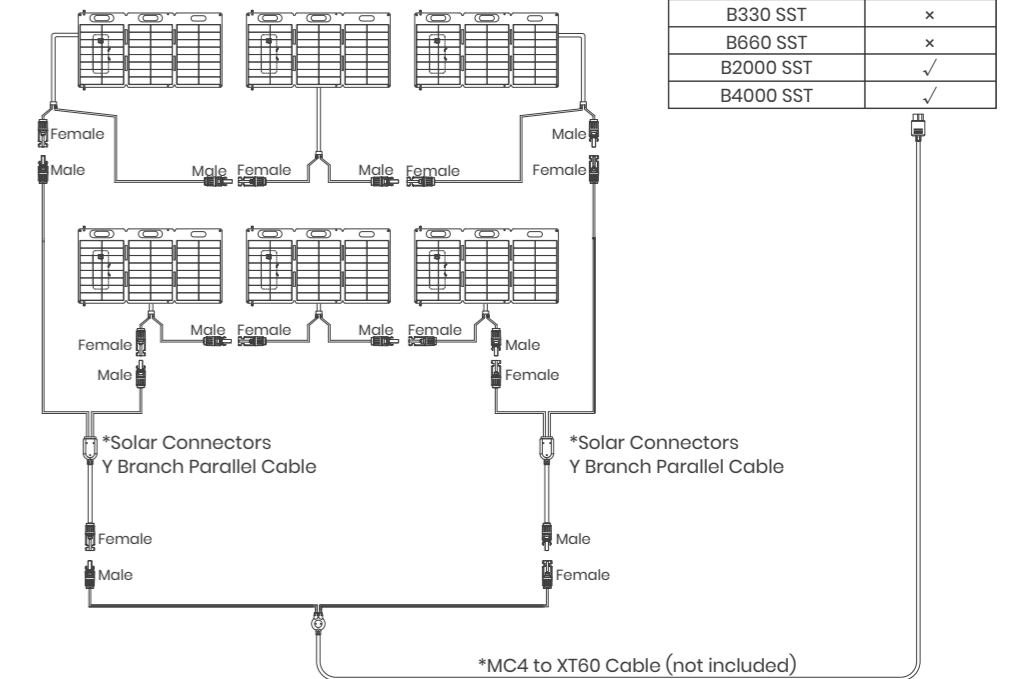


Supported Product	SP100(100W)
B330 SST	×
B660 SST	×
B2000 SST	✓
B4000 SST	✓

*Note:

SP100 Solar Panel does not include the MC4 to XT60 Cable. This cable is included with all Yoshino Portable Power Stations.

Example 4 (Series & Parallel)



Supported Product	SP100(100W)
B330 SST	×
B660 SST	×
B2000 SST	✓
B4000 SST	✓

*Note:

Solar Connectors Y Branch Parallel Cable is not included with SP100 Solar Panel. This will need to be purchased separately.



Tech support based in the USA!
 1 (800) 513-2797 customersupport@YoshinoPower.com
 Operating hours are 8:00 am - 4:30 pm PST (M-F).