

# CUDDY™

By Compo Closet™

Manual



# Contents

|  |           |
|--|-----------|
| <b>Contents</b>  | <b>2</b>  |
| <b>Welcome to the Compo Crew!</b>                            | <b>3</b>  |
| <b>SAFETY WARNING</b>  | <b>4</b>  |
| <b>IMPORTANT</b>   | <b>5</b>  |
| <b>What's in the Box?</b>                                    | <b>6</b>  |
| Dimensions - What size is CUDDY™?                            | 7         |
| <b>Quickstart Guide</b>                                      | <b>8</b>  |
| Orientation  | 8         |
| Steps  | 10        |
| <b>Register your CUDDY™ / warranty</b>                       | <b>13</b> |
| Affix Receipt Here   | 13        |
| <b>Limited Warranty</b>                                      | <b>14</b> |
| <b>Using your CUDDY™</b>                                     | <b>15</b> |
| The short version:   | 15        |
| The long version:  | 15        |
| Emptying the solids bin.                                     | 17        |
| <b>Installation Options</b>                                  | <b>18</b> |
| Tie-me-down: Securing CUDDY™ in place                        | 18        |
| Configuring the Liquid-full LED indicator for 12V operation. | 19        |
| Get outta here - Configuring CUDDY™ to Vent Externally       | 20        |
| Shore-can! - Configuring CUDDY™ with mains power             | 21        |
| <b>Maintenance</b>   | <b>22</b> |
| Cleaning your CUDDY™ Composting Toilet                       | 22        |
| Refilling the carbon filter                                  | 23        |
| Replacing the silicone bottle valve                          | 23        |
| <b>Troubleshooting</b>                                       | <b>25</b> |

# Welcome to the Compo Crew!

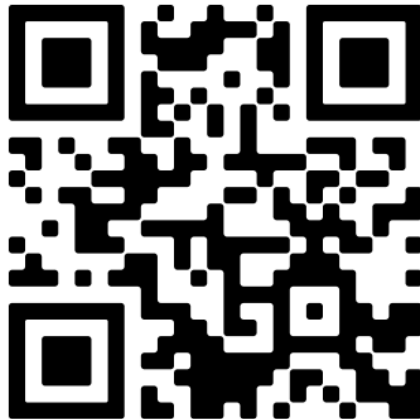
At Compo Closet, we're committed to diversity, sustainability, and the environment.

CUDDY was inspired by Vanife but is now the product of the combined input from a community of travelers, sailors, tiny-dwellers, and environmental enthusiasts.

We hope you're thrilled with your purchase of a CUDDY composting toilet. If you have any problems or questions about CUDDY, please reach out to the retailer where you made your purchase or to us: [info@compocloset.com](mailto:info@compocloset.com).

Remember to scan the magical QR Code to:

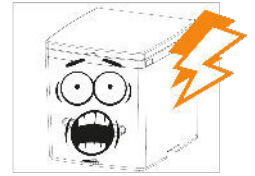
- Register your CUDDY for its 2-year manufacturing warranty.
- Join the Compo Crew Facebook Group - exchanges experiences, tips, and tricks.
- If you want to have an extended version of this manual.



# SAFETY WARNING

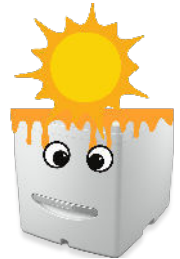
## **12V Electric connection required.**

Please ensure you are comfortable working with CUDDY's power requirements. If you have any concerns, please consult a professional installer.



## **Do not expose to direct sunlight for prolonged periods.**

Your CUDDY product may become damaged or weakened if exposed to direct sunlight for extended periods.



## **CUDDY is water resistant but not waterproof.**

He does not like swimming. Ensure water does not contact the power connector at the rear.



## **California residents Prop65 warning**

Some of CUDDY's internal components contain chemicals that cause cancer and reproductive harm. For further details see <https://oehha.ca.gov/proposition-65>.

## **Do not place cigarettes or hot objects near or into Cuddy**



## **Take care not to trap fingers in cuddy's hinges.**



This appliance is not intended for use by persons (including children) with reduced physical, sensory or mental capabilities, or lack of experience and knowledge, unless they have been given supervision or instruction concerning use of the appliance by a person responsible for their safety.

Children should be supervised to ensure that they do not play with the appliance.

# IMPORTANT

When performing maintenance on a used CUDDY composting toilet, be sure to wear appropriate safety equipment:

Gloves

Eye protection

- Always wash your hands after performing any maintenance or repairs to a used toilet.
- We recommend using a soft cloth or sponge when cleaning your CUDDY composting toilet.
- Using an abrasive cleaning agent such as the rough side of a dish sponge could scratch the plastic.
- Do not exert excessive force on the agitator handle. If the handle is difficult to turn, try reversing direction. If the difficulty persists, inspect the mechanism to determine the cause of the resistance. Ensure that there is no debris under the solids bin to cause misalignment of the agitator and drive shaft.
- After use, the contents of the solids bin will require 6 - 12 months to complete the composting process and kill any pathogens fully.

# What's in the Box?

A CUDDY™ Composting Toilet, of course.



Reusable carbon filter



4ft/120cm power cable (For the fan)



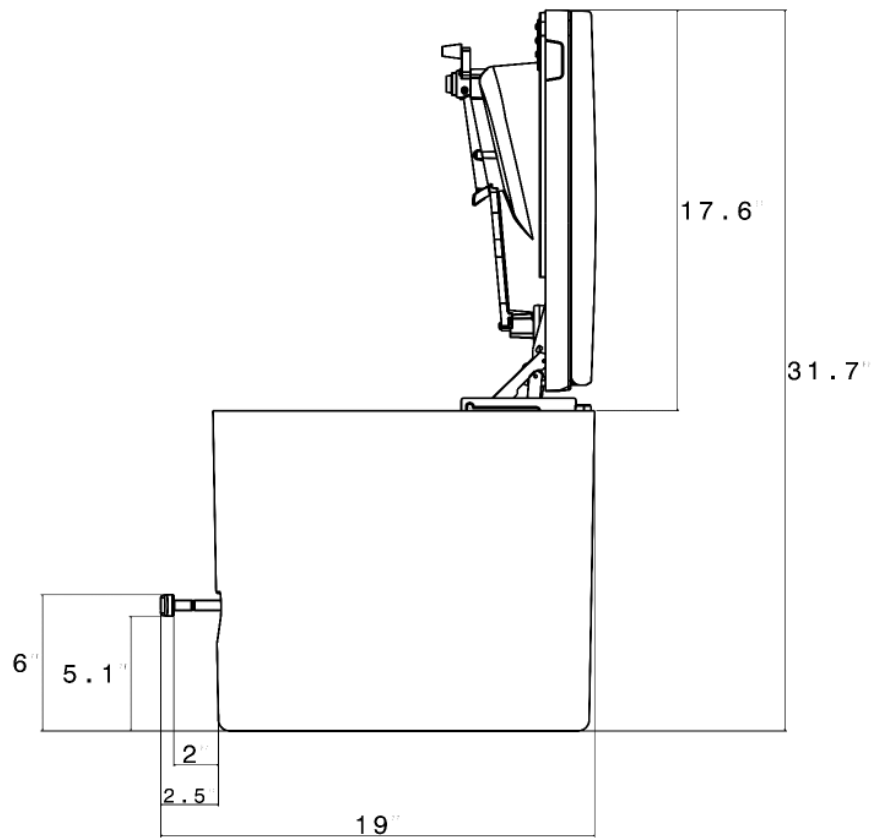
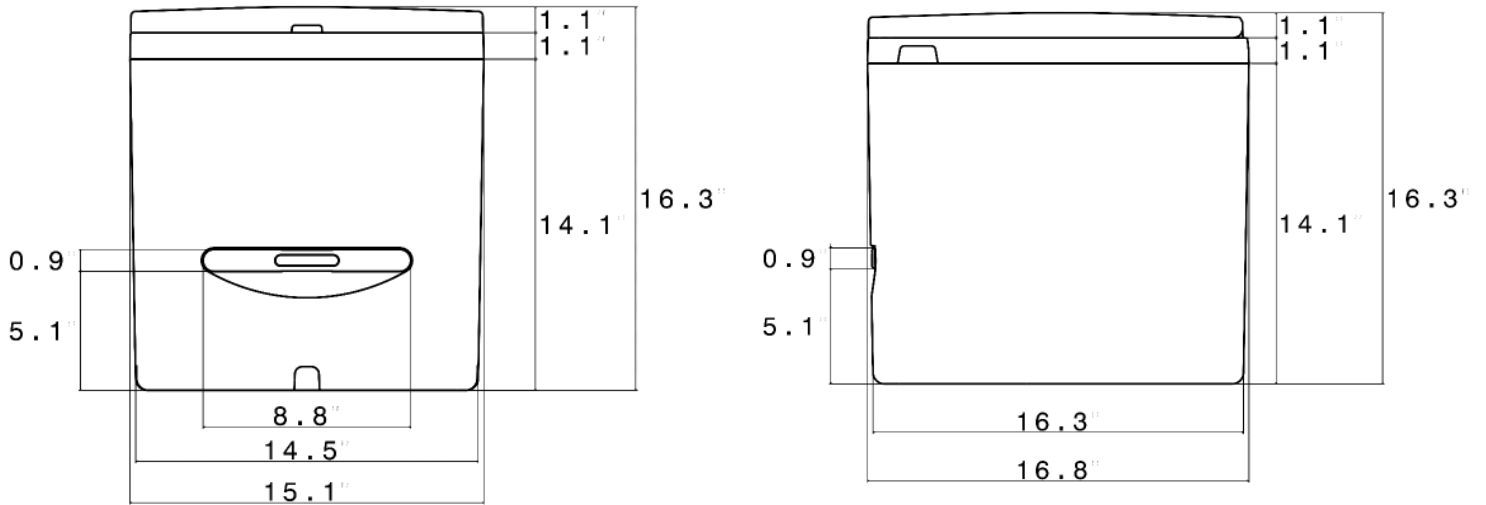
9V battery connector (in the battery housing)



Quickstart guide.

## ADVENTURE

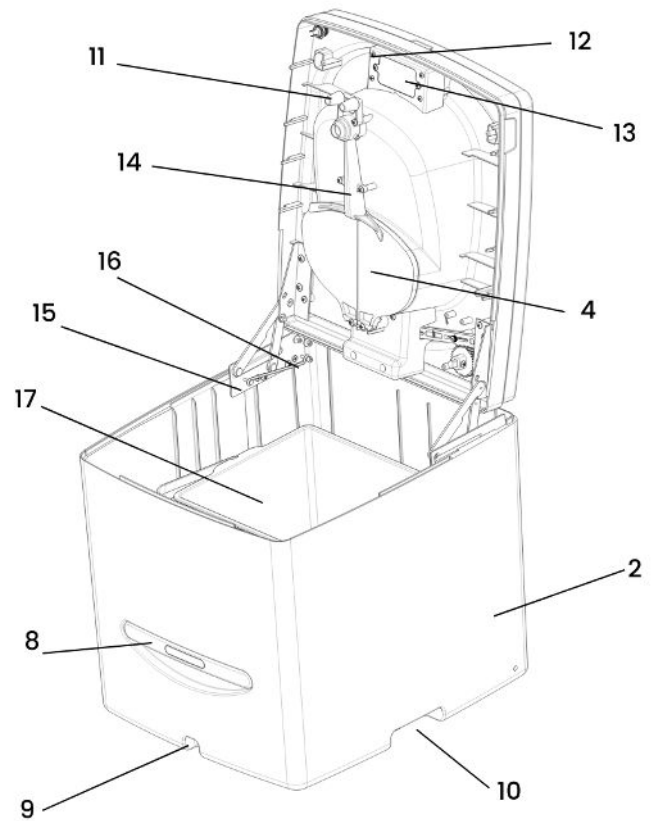
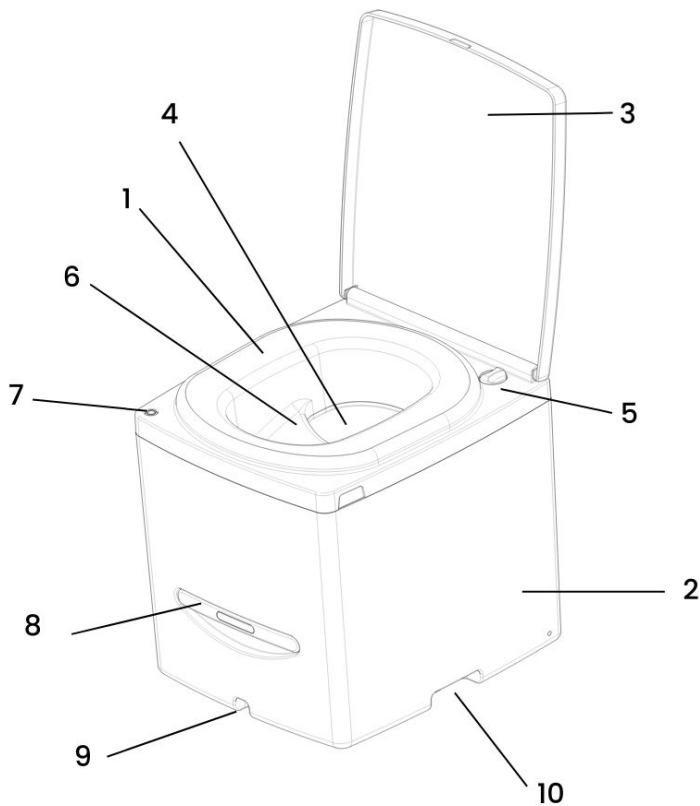
# Dimensions - What size is CUDDY™?



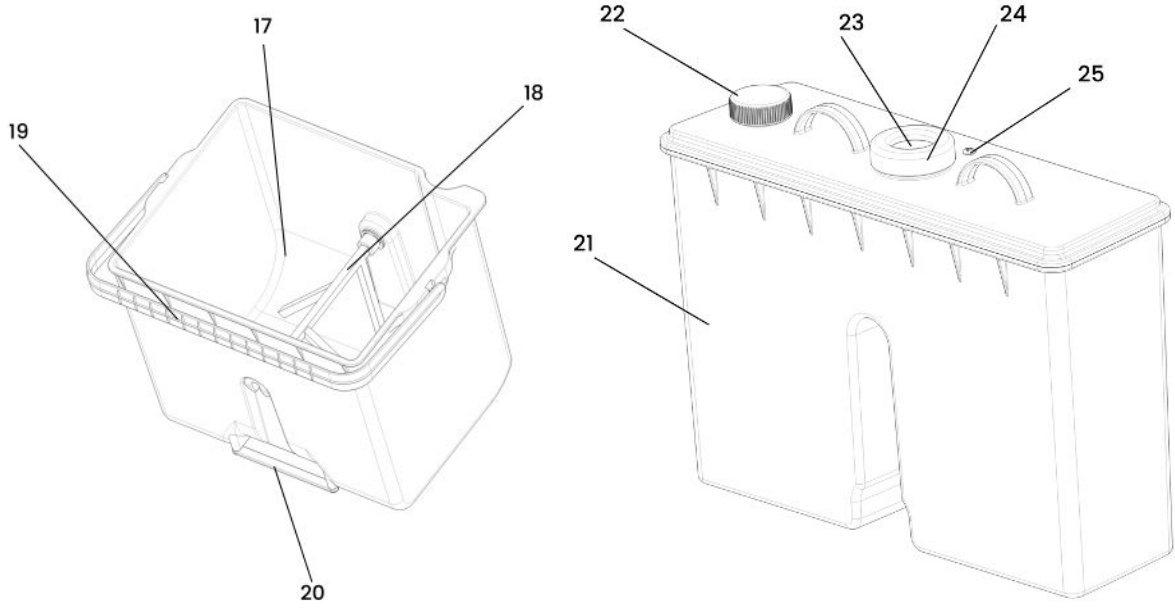
# Quickstart Guide

## Orientation

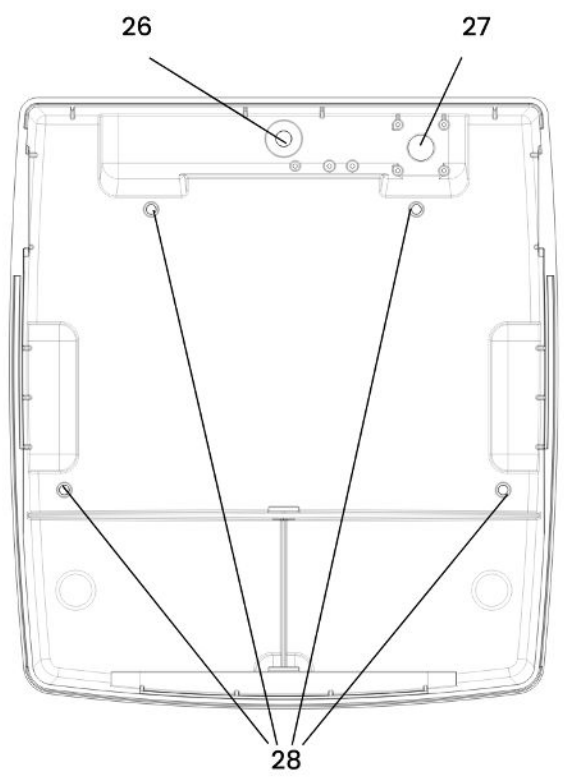
- |   |                            |    |                              |
|---|----------------------------|----|------------------------------|
| 1 | Seat                       | 10 | Handle                       |
| 2 | Base                       | 11 | Liquid Level Contact Springs |
| 3 | Seat Cover                 | 12 | Battery Housing              |
| 4 | Cover Plates / 'Drop Zone' | 13 | Battery Cover                |
| 5 | Knob for Cover Plates      | 14 | Drain Chute                  |
| 6 | Urine Diverter             | 15 | Hinge                        |
| 7 | Liquid Full Indicator      | 16 | Hinge Support Rod            |
| 8 | Agitator Handle            | 17 | Solids Bin                   |
| 9 | Finger Pull                | 18 | Agitator                     |







- 19 Main Solids Bin Handle
- 20 Bottom Solids Bin Handle
- 21 Liquids Bottle
- 22 Drain Cap
- 23 Valve
- 24 Valve Retaining Ring
- 25 Liquid Level Contacts
- 26 Power Input
- 27 Optional Exhaust Vent
- 28 Securing Eyelets

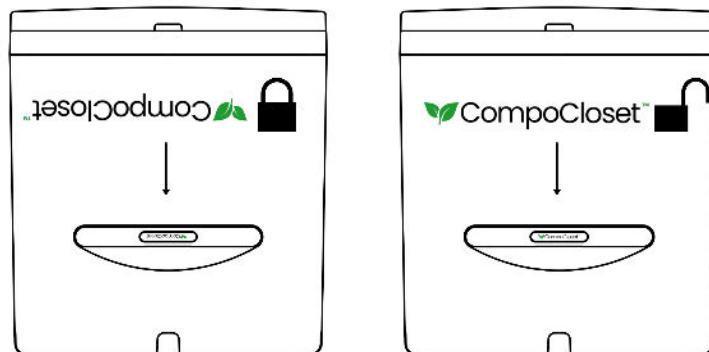


## Steps

- Step 1 take your CUDDY out of the box.
- Lift the top seat of CUDDY to see the magic inside.
- Remove the carbon filter from its packaging and ensure both end caps are clear of obstruction.



- The solids bin is locked in place for shipping. To remove it, extend the handle at the front and rotate it 180 degrees so that the legs on the agitator point down towards the base. You can also orientate by the logo on the agitator handle.



- Next, place a carbon-rich cover material such as coco coir, sustainably sourced peat moss, or sawdust in the base of the solids bin. There should be enough to cover 1-2 inches of the agitator's legs. This is approximately 40% of a standard 650g coco coir brick.

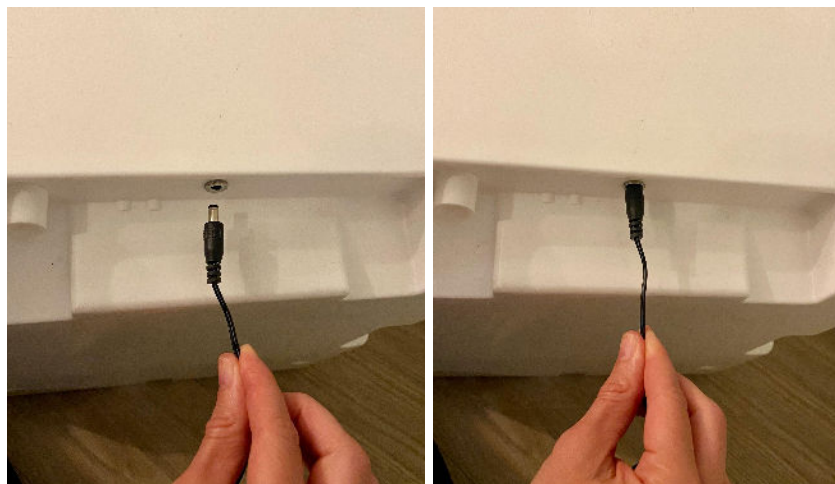
The cover material should be crumbly and damp to the touch.

**Top Tip** We recommend keeping some hydrated coco coir in a leak-proof plastic bag so that if you need some, it's ready for use.

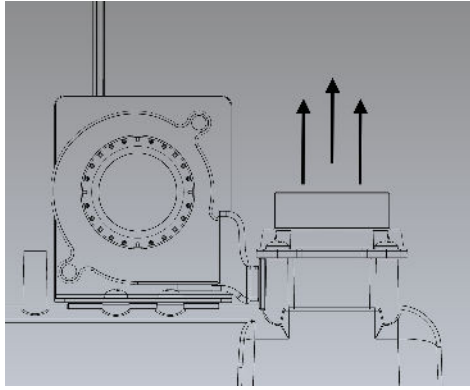
- Cover the surface of the hinges with a protective lubricant such as WD40 to protect them from the environment within the toilet.



- Connect the 12V power cable to an appropriately fused power supply. CUDDY draws 0.1A, so a low amperage fuse is recommended.
- Insert the male connector into the power connection at the rear of CUDDY as shown



- Confirm the fan is operational by feeling the flow of air at the back of the unit.



- Insert a battery into the battery box. Confirm the LED Liquid-full indicator light is working by pinching the spring contacts near the urine drain and observing the LED comes on.



- Press the carbon filter onto the circular fitting to secure it.
- Orientate the agitator legs downwards and replace the solids bin.
- Just in case - give CUDDY a good wipe down to remove any dirt or debris left over from the manufacturing and shipping process... It's your bum after all!
- Lower the seat and you're good to, er... go!

**Top Tip** - Empty the solids bin when it is approximately 60% full to prevent it overflowing.

# Register your CUDDY™ / warranty

Register your CUDDY by following the QR Code below:



## Limited Warranty

Compo Closet Ltd warrants to repair or replace any CUDDY™ Composting Toilet and its components made by Compo Closet and purchased directly from Compo Closet or Compo Closet's authorized distributors and dealers if it is found defective in material, construction, or workmanship under normal use and following instructions for installation, use, and care for a period of two (2) years from the date of purchase and or delivery in the case of pre-orders. This Limited Warranty is valid only in the countries where Compo Closet sells directly or through its authorized distributors and dealers.

Should your product require warranty service, please contact us at [info@compocloset.com](mailto:info@compocloset.com) for a warranty evaluation. Upon approval of your claim, Compo Closet will repair or replace the item(s) without charge. At this time Compo Closet will decide whether or not to have the items returned postage prepaid to Compo Closet or if they should be according to local laws properly disposed of.

### Exclusions

This warranty extends to the original purchaser only and is non-transferable.

This warranty does not cover any problems caused by any condition, malfunction, or damage:

- a. Caused by defects other than defects in materials or workmanship
- b. Resulting from normal wear and tear
- c. Improper installation
- d. Improper maintenance or repair

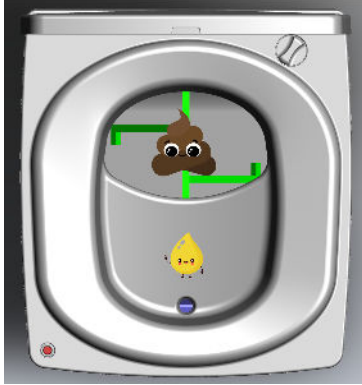
- e. Misuse, abuse, negligence, accident, alteration of a part or the product,
- f. or any external causes
- g. Or to any accessories, materials, products, or parts not manufactured or supplied by Compo Closet Ltd.

#### LIMITATION OF LIABILITY

Except as provided in this warranty and to the maximum extent permitted by applicable law, Compo Closet Ltd. is not responsible for special, incidental or consequential damages, including but not limited to damages to personal or real property, resulting from any breach of warranty or condition, or under any other legal theory, including but not limited to loss of use. The foregoing limitation shall not apply to death or personal injury claims, or any statutory liability for intentional and gross negligent acts and omissions.

# Using your CUDDY™

## The short version:



Keep 1s & 2s separate front and back



And everybody sits

## The long version:

### Number Ones

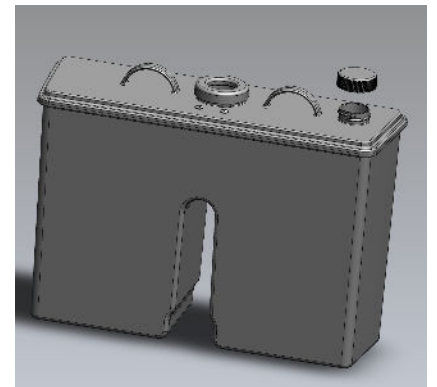


CUDDY is a urine-diverting dry toilet - also commonly known as a composting toilet. CUDDY's seat is specially designed to divert liquids forwards into the urine collection area to prevent them mixing with solids.

**Top Tip** - We recommend that everyone sits down when using CUDDY. People with internal genitalia can adjust how they sit so that the majority of liquid is captured in the urine collection area at the front.

To minimize the liquid that enters the solids chamber, close the plates covering the solids chamber when urinating. Small quantities of liquid which fall on the plates will be diverted toward the main urine drain.

**Top Tip** - have a spray bottle with 5:1 water : white vinegar mix handy to rinse off the plates and urine tray after use.



When the liquid chamber needs to be emptied, the LED indicator will turn on.

**Top Tip** - *We recommend checking the liquid level before going to sleep in case multiple people need to use the toilet overnight!*

To empty the urine tank, lift the seat up, remove the bottle and unscrew the drain cap. The blue valve will permit air to enter the bottle and prevent 'chugging'.

Just in case **pour slowly** to avoid splashback!

The urine bottle can be emptied into a regular toilet, RV dump station or another appropriate facility. Check local laws and always be considerate of others when disposing of urine.

**Top Tip:** *We recommend rotating the agitator after urinating to promote aeration of the solids chamber!*

**Number Twos** 🍌 - The main event...

Rotate the knob on the seat to open the plates, sit back and relax.

Like other composting toilets with agitators, we advise not putting toilet paper into the solids bin. It takes a long time to break down, can become wrapped around the agitator and will quickly fill the solids bin. Instead, we suggest folding each used piece of tissue one extra time after use, and then placing it in a bag for disposal separately.

After using CUDDY, close the plates, extend the handle and rotate the agitator several times each direction to mix the contents of the solids bin.

Always stow the handle when the agitator 'legs' are in the downward position - you should feel resistance on the agitator when it's pointing down.

Do not put sanitary products or wipes into the solids bin.

**Everything at once?** 🍌💧

If you're unsure whether you're going for a one, two or both together just open the plates. Cleaning isn't fun but any excess moisture can be easily dealt with afterwards.



## Periods

People who have periods need not worry. Blood can go into the liquids bottle or into the solids bin. Like other toilets do not put menstrual products into CUDDY. These belong in a separate receptacle.

## Emptying the solids bin.

Emptying the solids bin is nobody's favorite task, but with CUDDY, we've tried to make it as quick and painless as possible. To help you out, we've placed handy handles on the base of the bin for speedy emptying and shaking it like a polaroid picture.

**IMPORTANT:** After using any composting toilet, the contents of the solids bin will require additional time to fully compost and kill any pathogens.

If you're on a short vacation, the most environmental way to dispose of the solids is to place them in your home composting bin. Make a hole for the material in the center of the compost pile and place the contents in the hole before covering with dry leaves, straw or another suitable cover material.

Ensure that you leave the compost for at least 6-12 months (depending on season and climate) to fully mature before using the compost on flowers or fruit trees.

When traveling, it is normally possible to dispose of solids in the trash. To do so, empty the contents of the solids bin into a compostable bag and place in an appropriate trash can. Please be considerate when disposing of your waste and ensure the bag is strong and unlikely to leak into the trash bin.

**Top Tip:** CUDDY's Agitator is designed to automatically rotate so that the legs point downward after emptying. If the agitator isn't pointing down, shake the bin a little to help it. This will allow the slot on the bin to engage the drive shaft.

# Installation Options

## Tie-me-down: Securing CUDDY™ in place

CUDDY can be easily secured in place for bumpy roads, choppy seas, or very rough nights.

Unlike some other composting toilets, CUDDY can be secured flush against a wall while allowing access to the solids bin and liquids bottle. No disassembly is required.

### Tools:

- Drill
- 4mm or 5/32 drill bit
- Pencil
- Screwdriver

### Additional Materials (not included):

- Appropriate fixings for the surface you're securing CUDDY to.
  - Victory Beverage
- 
- Disconnect CUDDY from power source
  - Remove CUDDY's Solids bin and liquid bottle.
  - Lift CUDDY's seat and carefully lay the unit on its side.
  - Drill through the four eyelets in the base.
  - Place CUDDY upright and in the desired position. Mark the floor with a pencil through the holes in the base.
  - Drill pilot holes in the floor where marked and secure fixings if required.
  - Place screws through the eyelets in the base and into the floor.
  - Re-connect the power supply.
  - Enjoy victory beverage.

## Configuring the Liquid-full LED indicator for 12V operation.

Optional the liquids-full indicator LED can be configured to operate at 12V supplied at the main power input. 12V Power Kit required and can be purchased separately.

### Tools Required:

- Philips Screwdriver
- Flat Screwdriver
- 10mm Drill

### Additional Materials (not included):

- 12V Power Kit:
  - 12v circuit
  - Float switch
  - Contact screws.
  - Power extension cable
  - Conduit
  - Cable ties
  - Self-adhesive fasteners
- An 8 inch (200mm) length of string
- Victory Beverage

### Optional Materials:

- 9mm or 3/8" Drill

To configure your CUDDY to use the main 12V power for the LED indicator:

- Disconnect the 12V power input from CUDDY - this can be checked by confirming the fan is not running.
- Remove the screws securing the battery box to the seat.
- Remove the battery box cover and any battery that may be inside. Replace the battery box cover.
- Disconnect the LED and 9v power input from the circuit board.
- Unscrew the spring contacts and place them somewhere safe.
- You can now remove the 9v circuit board and replace it with the 12v circuit board.
- Connect the ring terminals to the spring contacts on the drain tube.
- Connect the LED and the free end of the 12V power cable to the POWER connection on the circuit board.

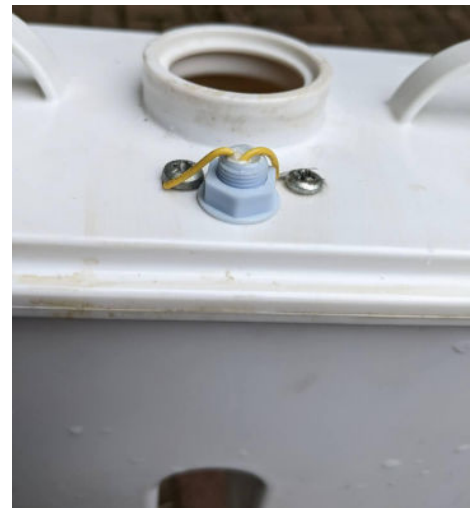




- Pass the power extension cable through the split in the conduit.
- Secure the conduit from the battery box to the rear of the toilet, as shown below, using the self-adhesive fasteners.  
Optionally: Use a drill to make holes in the ribs of the seat and feed the conduit through.
- Carefully ensure the conduit is located in the slot in the side of the battery box and the wires to the contact springs pass through the small channel. Re-attach the battery box to the seat again.
- Re-connect the 12V power supply and test the installation by pinching the springs together to observe the LED turning on.

To install the float valve:

- Empty any liquid from the liquids bottle and give it a rinse with water.
- Remove the retaining ring and valve from the top of the liquids bottle
- Drill an 8mm hole in the liquids bottle to mount the float switch. Be sure to leave space so the float switch doesn't touch on the sides of the bottle or obstruct the opening. We recommend locating it to one side of the screws.
- Pass the string through the newly drilled hole and out the main hole for the valve.
- Tie the end of the string coming out the valve hole to the wires of the float switch



- Carefully pass the string through the central opening of the bottle and pull the wires and float switch out through the new hole.
- Place the nut over the float valve to secure it. Ensure the float is free to move unobstructed inside the bottle.
- Remove the original contact screws and replace with the shorter screws supplied, passing them through the ring contacts of the wires on the switch.
- Put the valve and retaining ring back on the central opening of the bottle.

## Get outta here – Configuring CUDDY™ to Vent Externally

When he arrives, CUDDY is configured to recirculate air through the carbon filter to reduce odors. CUDDY can be configured to vent externally if desired.

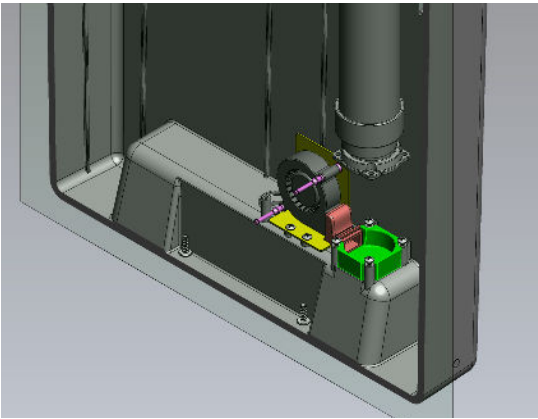
### Tools Required:

- Philips Screwdriver
- Flat Screwdriver

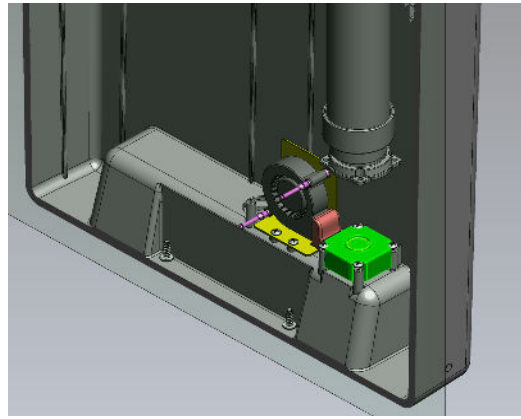
### Additional materials required (not supplied):

- Ventilation hose (0.825"/21mm Internal Diameter )
- Jubilee clip to secure the hose
- Fly screen or similar gauze
- Victory Beverage

- Disconnect the power supply at the rear.
- Remove CUDDY's solids bin and Carbon Filter.
- Unscrew the filter adapter as shown.
- Using the flat head screwdriver, remove the circulation adapter between the four plastic bosses.
- Invert the circulation adapter and secure it by replacing the filter adapter as shown below.



**Use Carbon Filter**



**Vent Externally**

Air will now vent externally from the unit through the exhaust pipe.

We recommend placing a fly mesh over the vent outlet before securing the vent hose using a jubilee clip.

The vent hose can then be vented externally through the floor, wall, or ceiling when using an appropriate cowling.

- Replace the solids bin and reconnect the power.
- Confirm air is flowing through the external vent as expected by testing flow from the outlet with your hand.
- Wash your hands and enjoy victory beverage.

## Shore-can! – Configuring CUDDY™ with mains power

### Tools Required:

None

### Additional Materials Required (not included):

- 5.5mm x 2.1mm 12V 1A power adapter.
- Victory Beverage

- CUDDY takes power for the fan via a 5.5 x 2.1mm DC power supply. These are commonly available worldwide for all domestic power supplies.
- To connect CUDDY to mains power, obtain an appropriate 5.5 x 2.1mm 12V adapter for your domestic power supply in either 1A or 2A power rating.

- Connect the power adapter to CUDDY and supply power.
- Confirm the power is working by testing the flow of air with your hand, either by removing the filter or from the external vent.
- Wash your hands and enjoy victory beverage.

# Maintenance

## Cleaning your CUDDY™ Composting Toilet

### Tools Required:

- Rubber Gloves
- Soft cloth or sponge (no abrasives)
- #2 Philips Screwdriver

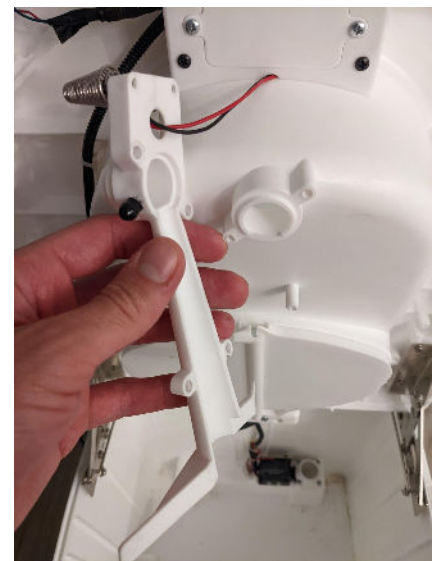
### Additional materials:

- Soapy water
- Victory Beverage

Nobody likes cleaning a toilet so your CUDDY composting toilet is designed to be easy to clean. Start by putting on some rubber gloves - they'll help protect you from any germs.

Cleaning CUDDY does **not** require an abrasive cleaning agent a soft cloth or ordinary sponge will suffice.

- Clean CUDDY with a sponge or soft cloth and soapy water.
- Try moistening any stubborn marks for a few minutes with water to soften them before trying to clean them.
- The 'pee-chute' between the plates and the drain tube from the urine diverter can be removed for ease of cleaning if required. This is done by unscrewing the four screws and detaching it as shown here.
- Wash hands thoroughly. Now go wash them again.
- Enjoy victory beverage.



## Refilling the carbon filter

Your CUDDY comes with a carbon filter to reduce odors. Activated carbon is a natural material with many microscopic pores. These pores trap odors and prevent them from escaping.

Over time, these pores become full - like a car park where the cars never leave. We recommend replacing the carbon in the filter every 6-12 months.



Activated Carbon pellets can be purchased at pet stores or online. We recommend 4mm carbon pellets to allow sufficient airflow over the surface.

**Tools Required:**

None

**Additional Materials:**

- Activated Carbon pellets
- Victory Beverage

- Remove the Solids bin.
- Remove the Filter and carefully remove the top cap of the tube.
- Place the spent carbon into the rubbish or your compost pile.
- Refill the tube with fresh activated carbon pellets and replace the cap on top of the filter
- Place the filter over the filter adapter and replace the solids bin.
- Wash your hands and enjoy your victory beverage.

## Replacing the silicone bottle valve

Over time, the silicone valve within the liquids bottle can deteriorate.

When this happens, the valve should be removed and replaced with a new valve.

**Tools required:**

- Flat Screwdriver

**Additional Materials (not included):**

- Replacement valve
- Victory beverage

- Remove the liquids bottle from CUDDY and dispose of the contents.
- Remove the retaining ring from the liquids bottle - we recommend using the flat screwdriver to facilitate this.
- Remove the old silicone valve from the bottle and dispose of it in the rubbish.
- Place the new valve over the lip of the retaining ring.
- Replace the retaining ring on the bottle and place the bottle back inside CUDDY™.
- Wash your hands and enjoy your victory beverage.

# Troubleshooting

## **Just Starting Out**

Be patient. It can take some time for the magic to happen.

## **Too Dry**

If the contents of your solids bin are too dry this can cause it to smell. Add some water and mix well.

## **Excess Moisture**

If the solids bin is excessively moist so that the contents become clay-like add some extra cover material and mix well using the agitator.

## **Condensation**

If you have a buildup of condensation on the inside of the unit, this is nothing to worry about. We suggest adding a small amount of kitchen roll or absorbent material on either side of the solids bin (not under it) to absorb excess moisture.

## **Fruit Flies**

If you find that you are attracting small flies in your CUDDY composting toilet the first step is to try to determine how they are getting inside.

If you are venting externally, the most likely entry point is the external vent hose not having a suitable filter.

To kill any flies, we suggest adding 3 cups of food-grade Diatomaceous Earth to the solids bin and mixing thoroughly with the agitator. Diatomaceous earth is a naturally occurring mineral commonly used in the food industry to prevent insects.

## **Fan Not Working**

Check if power is being supplied. Turn it off and on again... only kidding!

Check the positive and negative wires are correctly connected. The fan will not work if the polarity is reversed.

Check that the fan is not blocked from rotating by any debris.

If you still experience difficulty, please contact us for assistance. If the fan needs to be replaced, a free replacement will be sent.

## **Agitator Handle not turning - Do not forcefully turn the handle!**

Check that nothing is under the solids bin to misalign the agitator in the bin and the drive shaft.

Try to rotate the handle in the opposite direction to free it.

Check if blocks of unhydrated coco coir are blocking it. Ensure that the coco coir is fully hydrated by adding additional water.

Ensure nothing is wrapped around the agitator - if so empty the solids bin and untangle it.

### **The Solids bin moves when I turn the handle.**

Check that there are no small parts or coco coir under the solids bin.

Check that there is nothing stuck between the interface between the solids bin and the drive shaft.

### **The liquid light is always on and won't turn off.**

Check that the circuit board isn't damaged. If the circuit board is damaged, disconnect the power and contact us for a replacement circuit board.

Ensure there is no water or moisture on the circuit board. If drying the circuit board resolves the problem, the waterproof coating has failed and the board needs to be replaced. Contact us for a replacement circuit board.

Try reversing the polarity of the 12V power supply. If this resolves the issue with the LED but disables the fan, contact us for a replacement cable.

### **The LED liquid indicator light isn't turning on.**

First check that power is being supplied to the indicator light circuit:

- If the LED is powered by 9V battery:
  - Check the battery is not flat.
- If the LED is powered by 12V (optional setup):
  - Check that 12V power is being supplied - if the fan is connected it should be running.
  - Try supplying power with a 9V battery. Test it by pinching the spring contacts together. If this resolves the issue, contact us for a replacement 12V power lead.

Then with the power on, pinch the spring contacts together, so they touch. If this activates the light, check that there is no obstruction between the springs and the contact screws on the urine bottle or that the springs and contacts are not rusty.

Check that the springs and contacts are not rusty. If they are rusty try removing the rust to see if this resolves the issue and contact us to obtain replacements.

Check that the LED is working correctly by providing 9V or 12V power. If it does not work, please contact us for a replacement.

If the above does not resolve the issue, please contact us to troubleshoot further.

**The LED liquid indicator light is permanently on.**

Try reversing the polarity of the power supply.

- If this resolves the issue and you are using a 9V battery, please contact us for a replacement battery connector.
- If this resolves the issue and you are using 12V power, confirm that the fan is running with the reverse polarity. If the fan is not running, please contact us for a replacement power lead.

If this does not resolve the issue, please contact us for a replacement circuit board.

**For other issues check our website and Facebook group for more help and information.**

FIN

(Enjoy another victory beverage)

