

ARTWOOD 60''

BATHROOM VANITY SET

SKU: ARTWOOD60QZ-WT

ARTWOOD60QZ-NB

ARTWOOD60QZ-TG

Colors/Finishes: White, Navy Blue, Titanium Grey

Nominal Dimension:60W*22D*35H inches

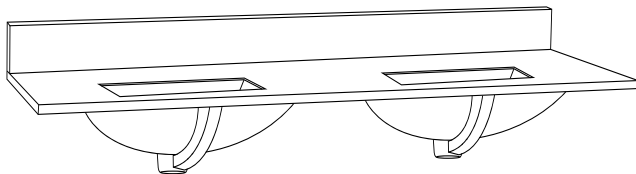


Contents

60"Vanity.....PAGE2

60"Vanity Top.....PAGE3

Vanity Installation.....PAGE4



VANITY FEATURES:

- 1.Material: Solid popular wood frame, high-quality veneer plywood.
- 2.Doors: 4 soft-close doors, Austria BLUM Soft-close hinges system.
- 3.Drawers: 4 soft-close drawers, DTC concealed soft-close sliders.
- 4.Hardware: Metal alloy with decorative porcelain
- 5.Installation Type: Freestanding
- 6.Built-in Adjusters: Adjustable height levelers
- 7.Vanity Top: High-quality quartz/marble with single undermount sink
- 8.Assemble required: No
- 9.Vanity top Included: Yes
- 10.Mirror Included: Optional
- 11.Medicine Cabinet Included: Optional

VANITY TOP FEATURES:

- 1.Material: Highly resilient, nonporous, scratch-and stain-resistant quartz,or natural Italian Carrera white marble.
- 2.Top Color: Carrera white
- 3.Sink: 2*20"undermount rectangle sink
- 4.Faucet Holes: Top pre-drilled for 8"widspread faucet holes
- 5.Sink Certified: CUPC certified
- 6.Backsplash: 4"backsplash included
- 7.Faucet Included: No
- 8.Nominal Dimension(W*D*H): 60W*22D*0.79H inches

ARTWOOD 60''

BATHROOM VANITY SET

SKU: ARTWOOD60QZ-WT

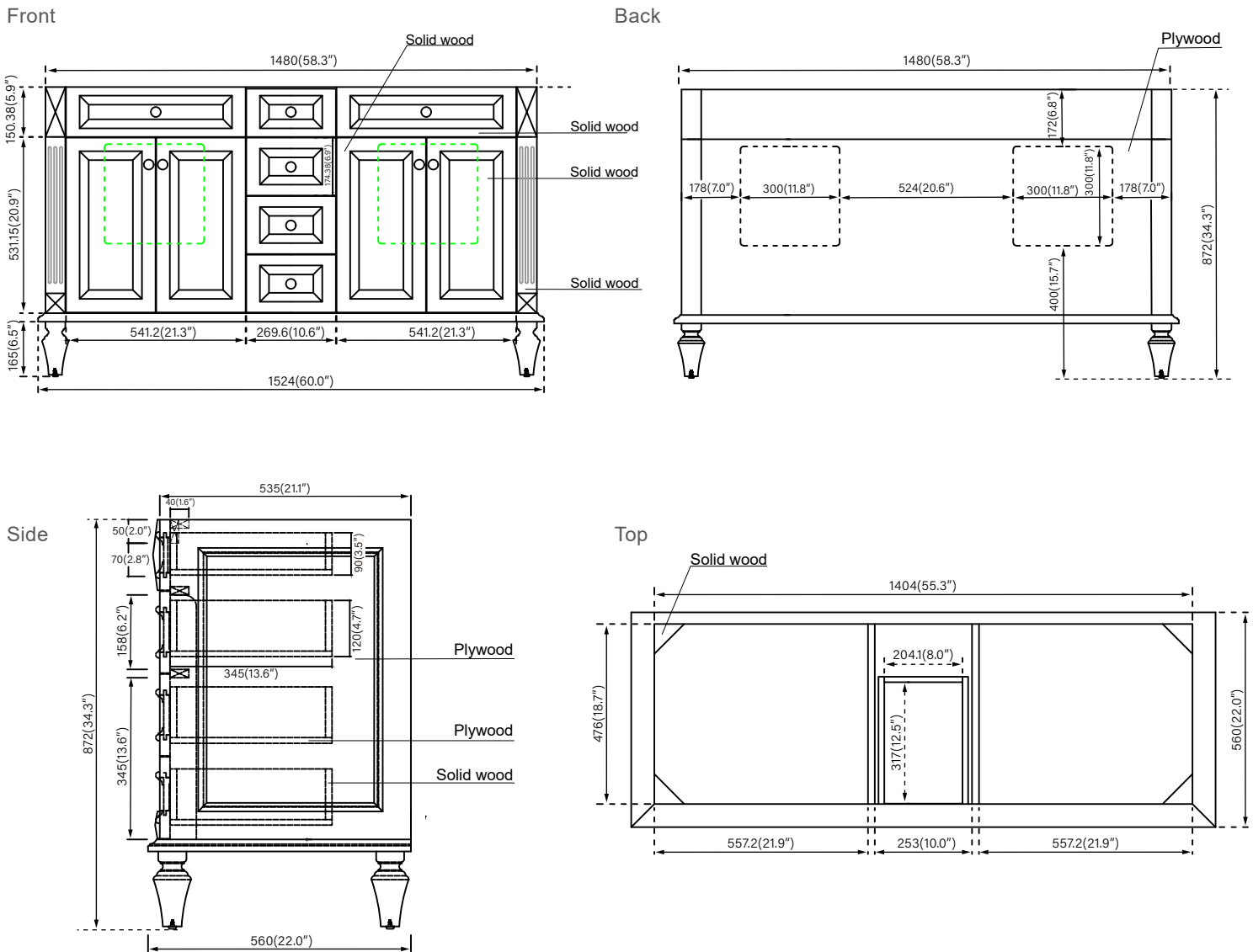
ARTWOOD60QZ-NB

ARTWOOD60QZ-TG

COMPONENTS:

Vanity	ARTWOOD60QZ-WT	ARTWOOD60QZ-NB	ARTWOOD60QZ-TG
Vanity Top	QZ61CW20	QZ61CW20	QZ61CW20
	MB61CW20	MB61CW20	MB61CW20
Wall Mirror	MR26YS1WT(1 Pair)	MR26YS1NB(1 Pair)	MR26YS1TG(1 Pair)
Medicine Cabinet	MED34YS1WT	MED34YS1NB	MED34YS1TG
	MED24YS1WT	MED24YS1NB	MED24YS1TG

PRODUCT DIAGRAMS:

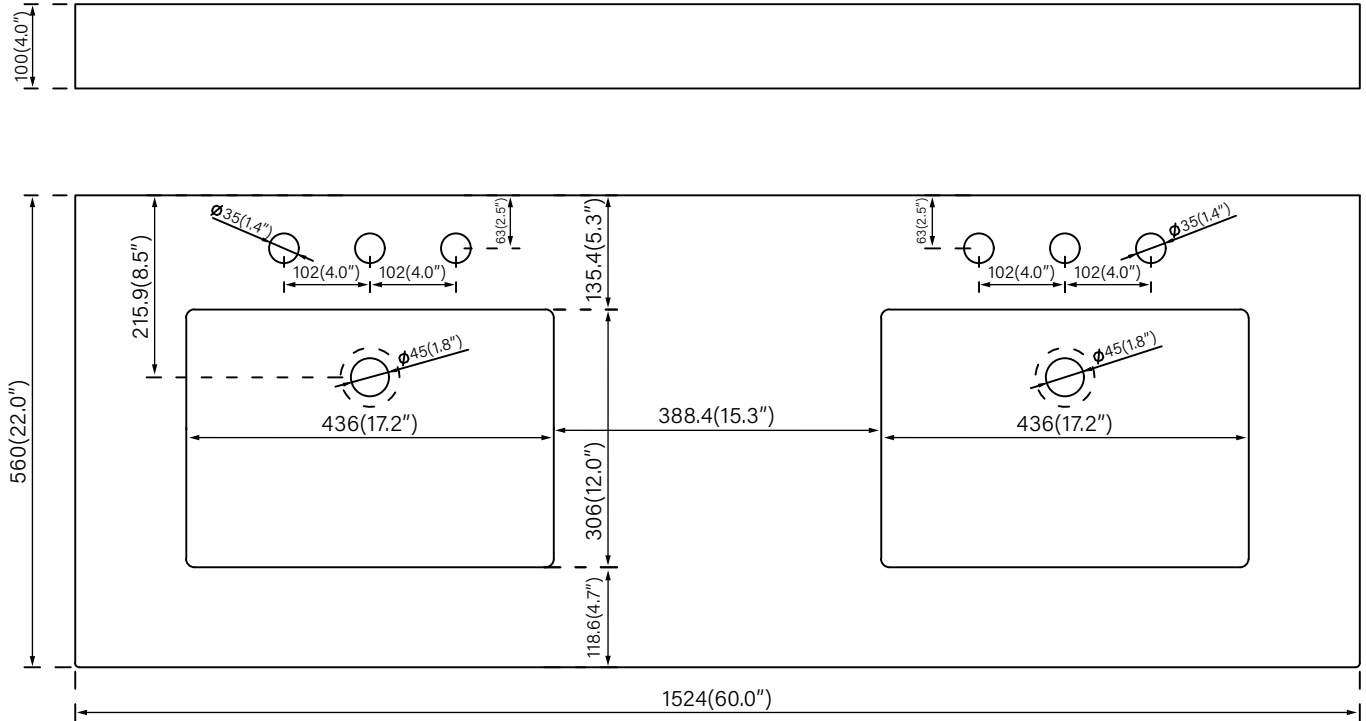


ARTWOOD 60''

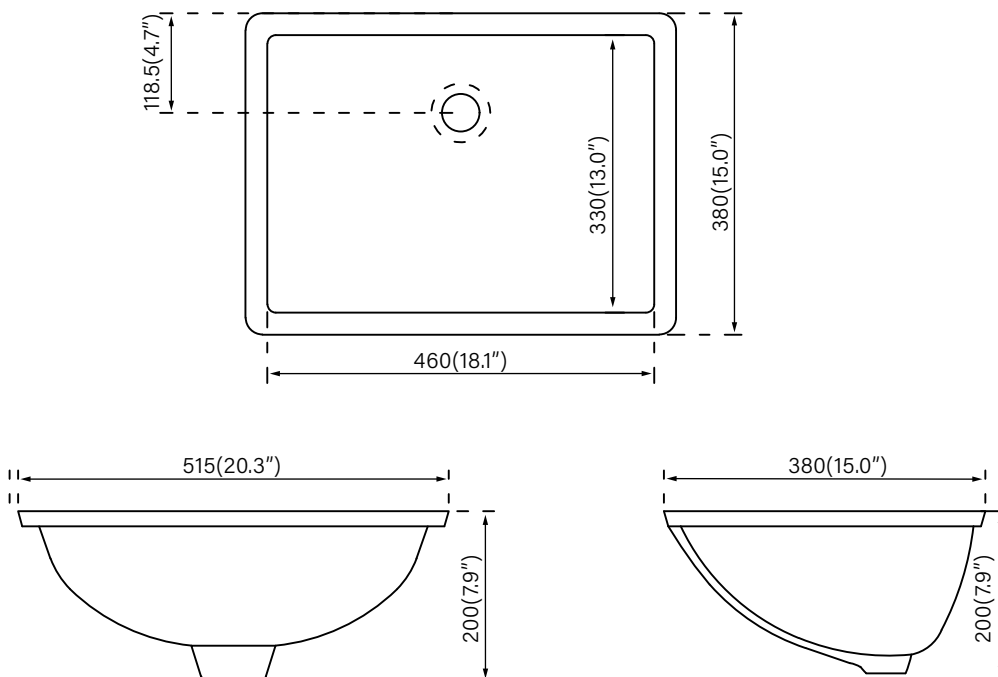
VANITY TOP

With rectangular undermount sink

VanityTop

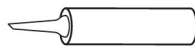


Undermount Sink



Vanity Installation

SUGGESTED TOOLS AND MATERIALS:



Sealant



Tape Measure

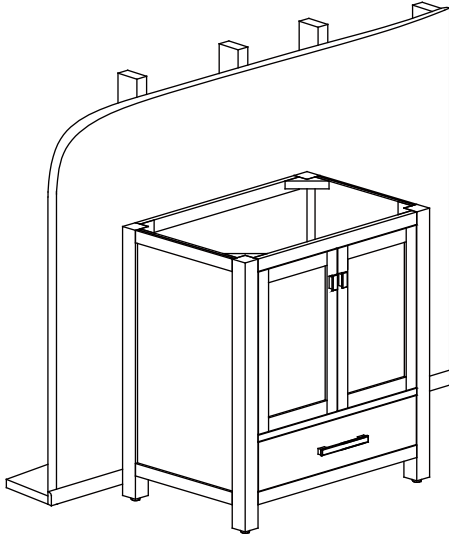


Safety Glasses

INSTALLATION INSTRUCTLONS

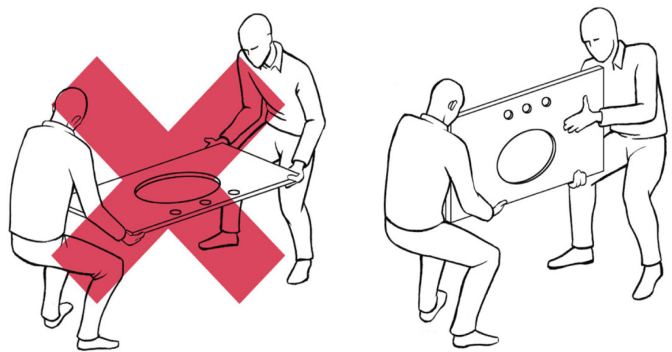
We recommend consulting a professional if you are unfamiliar with installing bathroom fixtures and plumbing. We accept no liability for any damage to the floor, plumbing, vanity cabinet, sink, counter top, or personal injury during installation.

1



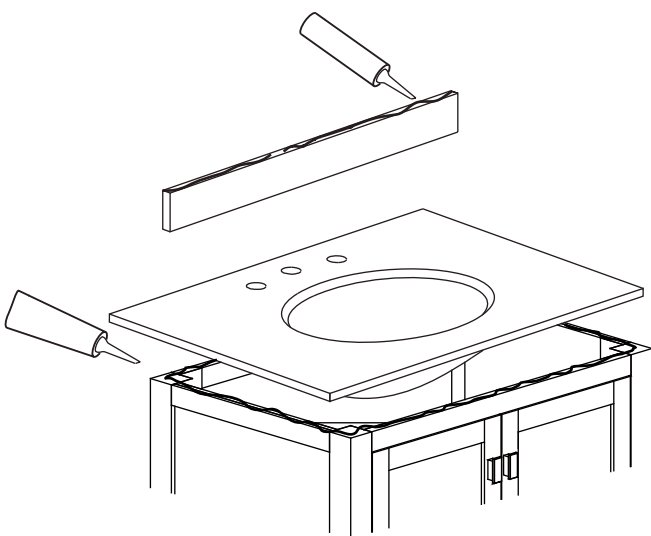
Remove vanity from box and examine vanity for any defects or damage. Carefully place vanity against wall.

2



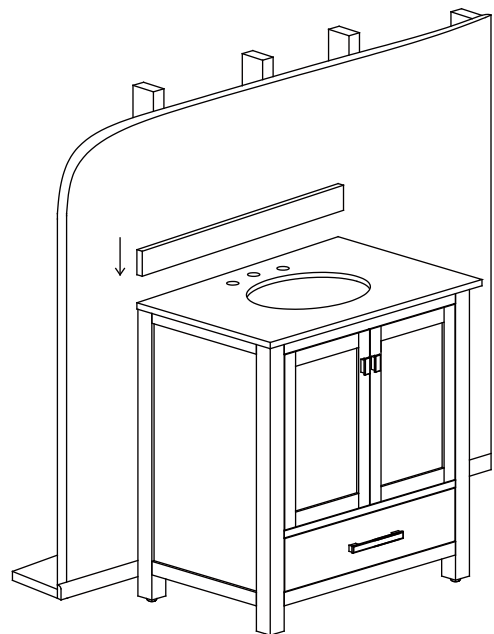
Always use a two man crew, a single person crew is much more likely to break or chip the stone top.

3



Apply bead of quality sealant evenly along the bottom of back splash and the top of the vanity.

4



Finally, place the bottom side of back splash with sealant onto the counter top and check alignment of back splash.