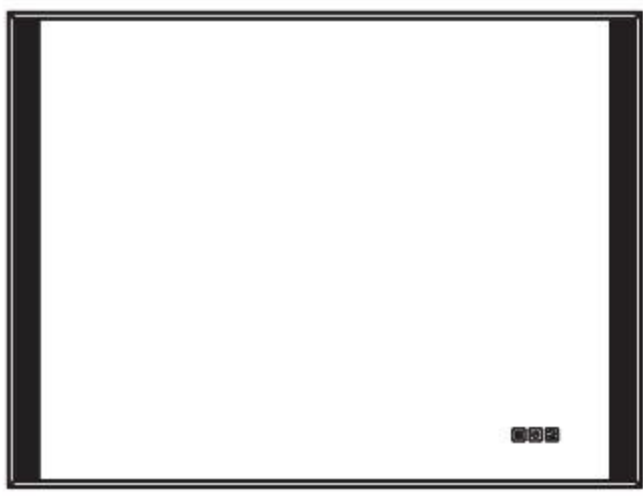


INSTALLATION



MEIRA-W18FM2836/3236/3636

Colors/Finishes::Matte Black(MB), Brushed Gold(BG),White(WT)

LIGHTED FRAME MIRROR Lighting and Defogger

IMPORTANT SAFETY INSTRUCTIONS

When using an electrical furnishing, basic precautions should always be followed, Requires two(2) person in installation.



DANGER

READ AND FOLLOW ALL INSTRUCTIONS BEFORE USING THIS MIRROR.



WARNING

To reduce the risk of burns, fire, electric shock or injury to persons. Use this furnishing only for its intended use as described in these instructions. Do not use attachments not recommended by the manufacturer. Never drop or insert any object into any opening. Do not use outdoors.



WARNING

Risk of electric shock. Connect this furnishing to a properly grounded circuit only. See Grounding instructions.

GROUNDING INSTRUCTIONS:



WARNING

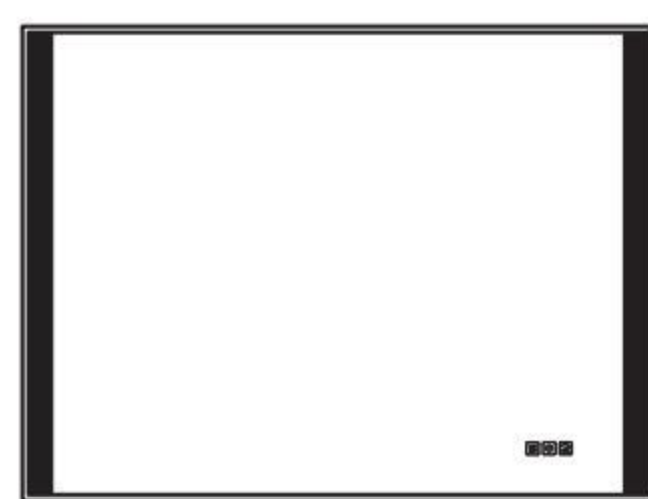
This product must be connected to a grounded metal, permanent wiring system, or an equipment-grounding conductor must be run with the circuit conductors and connected to the equipment-grounding terminal or lead on the product.

An Electrical option cabinet must be wired to a 20 Amp GFI (Ground Fault Interrupter) protected circuit when used in bathrooms and all other locations required by the National Electric Code.

NOTE: To ensure the normal use of product, it is required to set out wires as per the regulations of IEE. The product is only applicable to the indoor installation. The installation must be executed by a professional electrician, wrong installation may lead to product damage and personal injury.

PLEASE SAVE THESE INSTRUCTIONS FOR FUTURE REFERENCE

ALL RIGHTS RESERVED



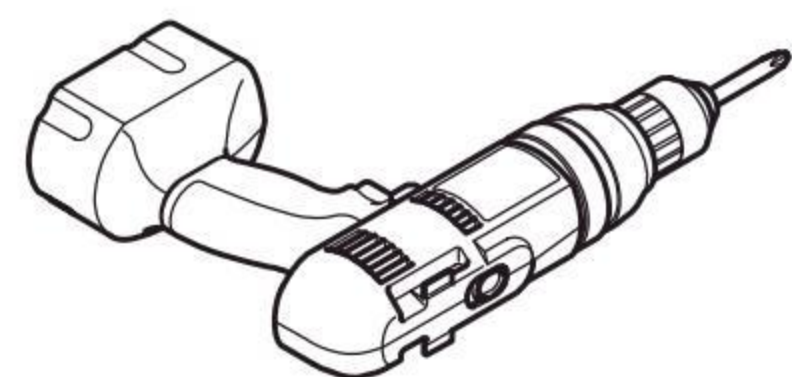
MEIRA-W18FM2836/3236/3636

Colors/Finishes::Matte Black(MB), Brushed Gold(BG),White(WT)

LIGHTED FRAME MIRROR Lighting and Defogger

INSTALLATION

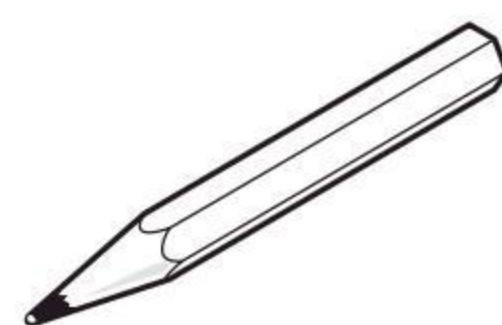
TOOLS REQUIRED FOR ASSEMBLY



Electrical Drill



1/8" Drill Bit



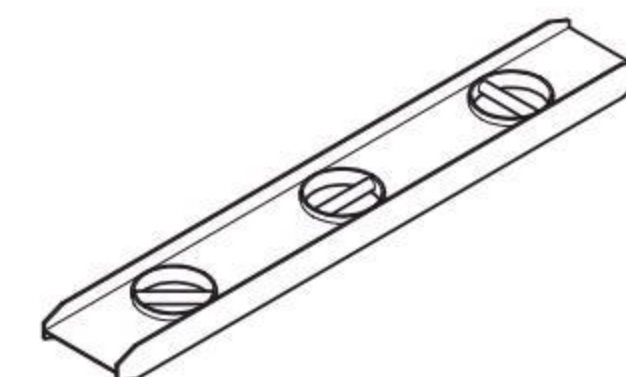
Pencil



Phillips
Screwdriver

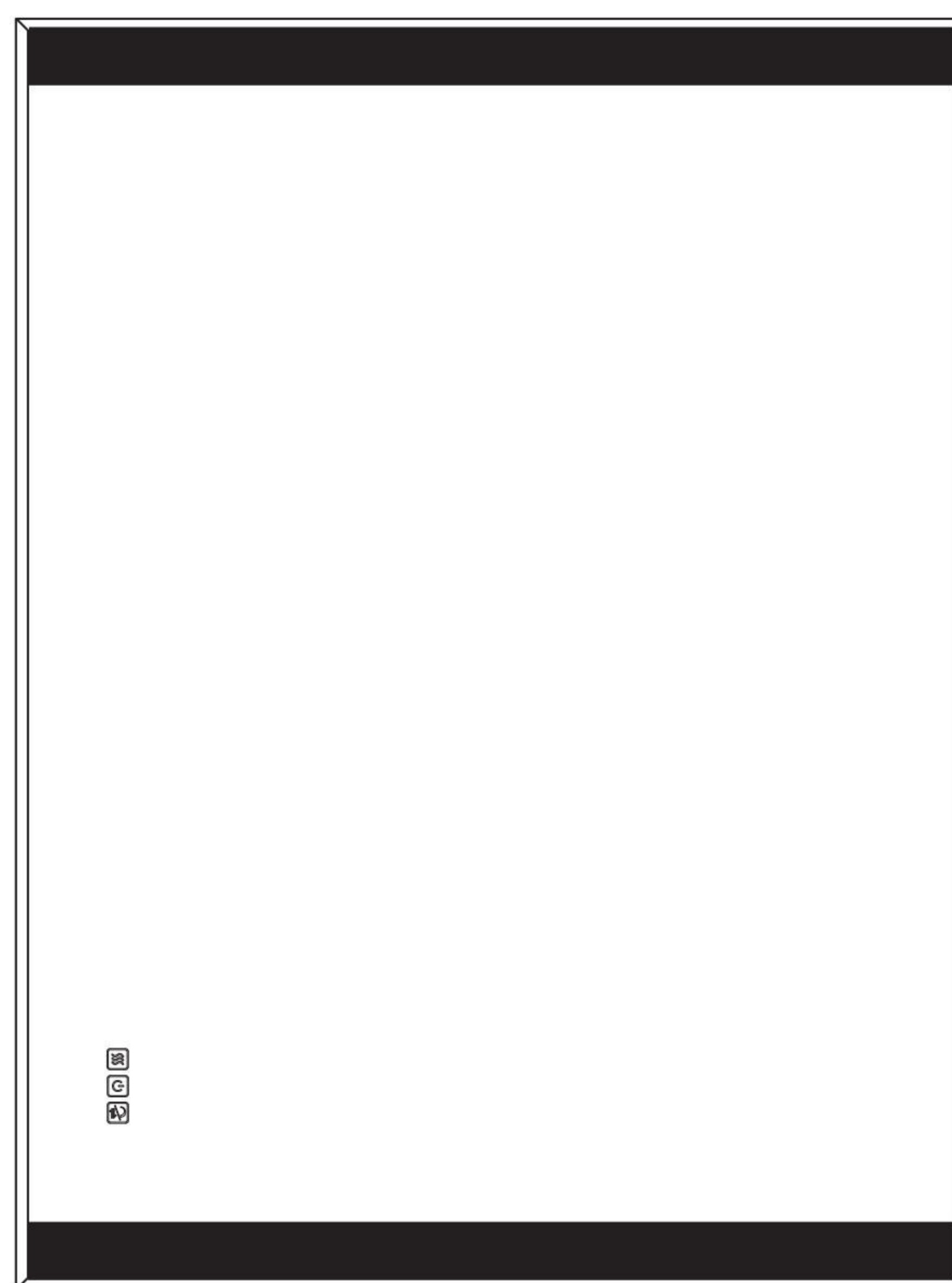


Tape Measure



Level

PARTS INCLUDED

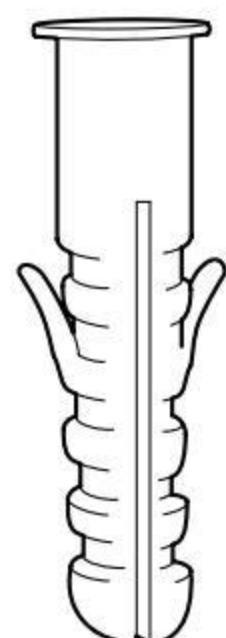


Mirror

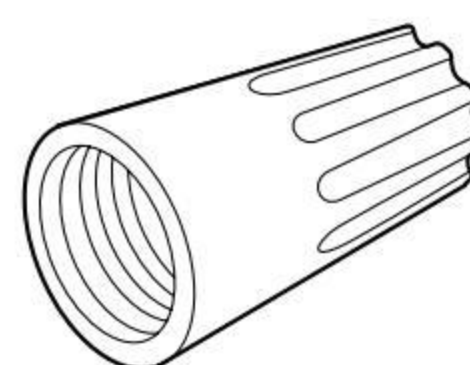
HARDWARE INCLUDED (not shown actual size)



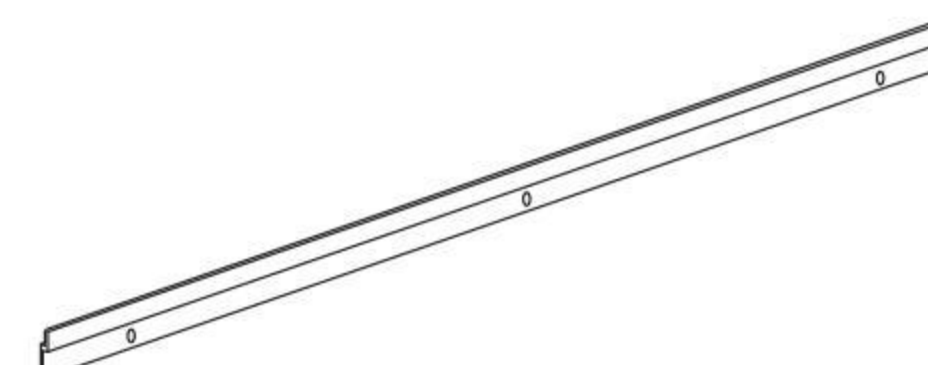
SCREW



WALL PLUG



WIRE CONNECTOR



HANGING BAR

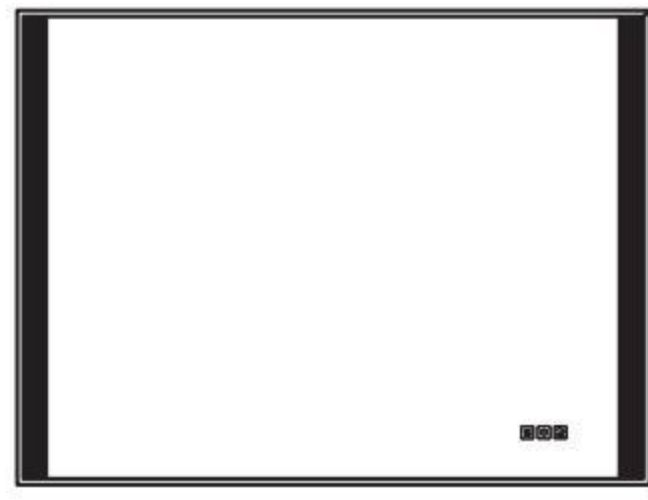


NOTE: Determine overall mirror dimensions before proceeding to installation.

*All dimensions & specifications are approximate and subject to change without notice.

*Accessories and parts may vary from the picture above. Depends on the product model and size.

INSTALLATION



MEIRA-W18FM2836/3236/3636

Colors/Finishes::Matte Black(MB), Brushed Gold(BG),White(WT)

LIGHTED FRAME MIRROR Lighting and Defogger

ELECTRIC CONNECTIONS

ALL WIRING SHOULD BE DONE BY A QUALIFIED LICENCED ELECTRICIAN



WARNING: Shut off power before wiring the mirror.



WARNING: An Electrical option mirror must be wired to a 20 Amp GFI (Ground Fault Interrupter) protected circuit when used in bathrooms and all other locations required by the National Electric Code.

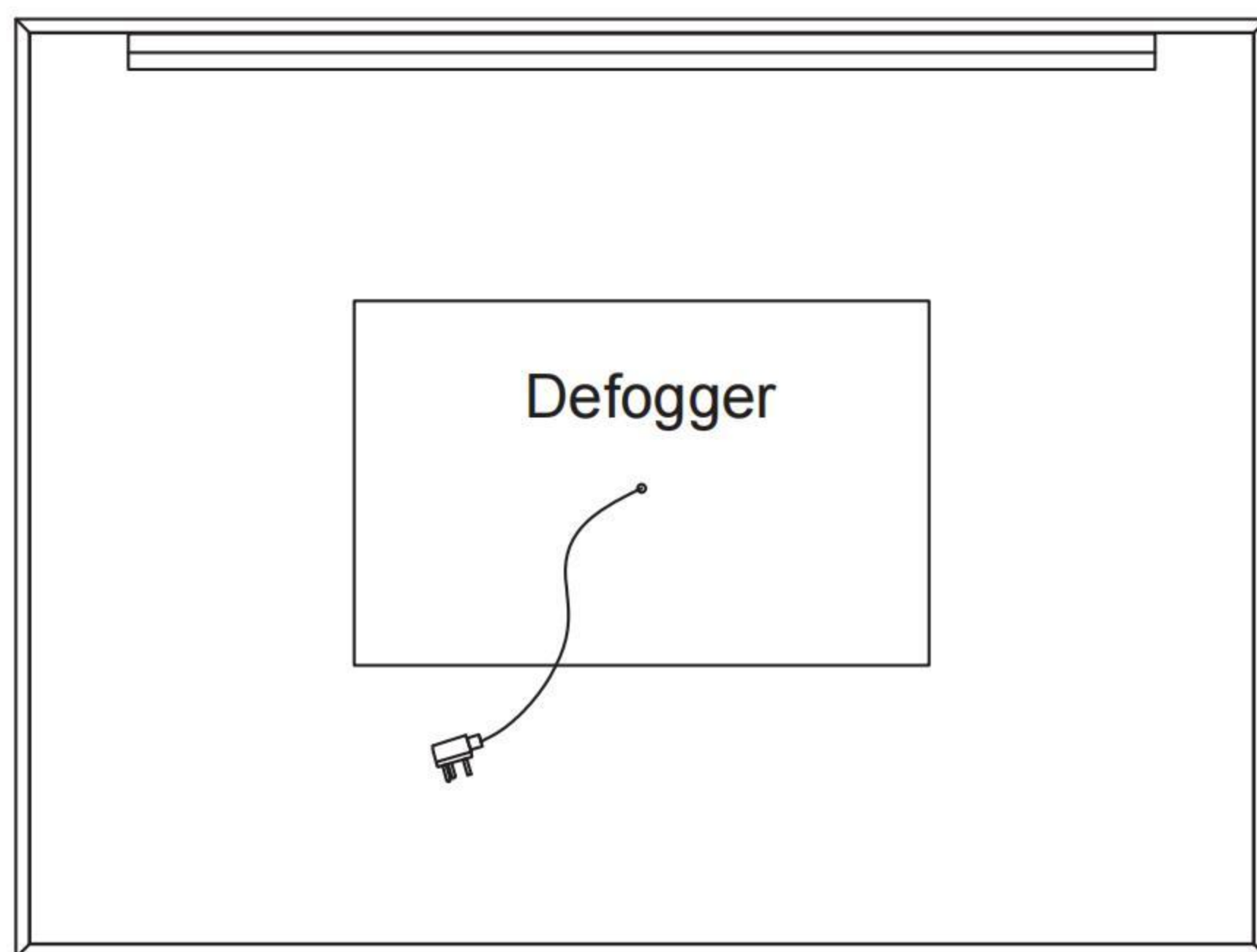


WARNING: This mirror must be connected to a grounded, metal permanent wiring system or an equipment-grounding conductor must be run with the circuit conductors and connected to the equipment grounding terminal or lead on the mirror.



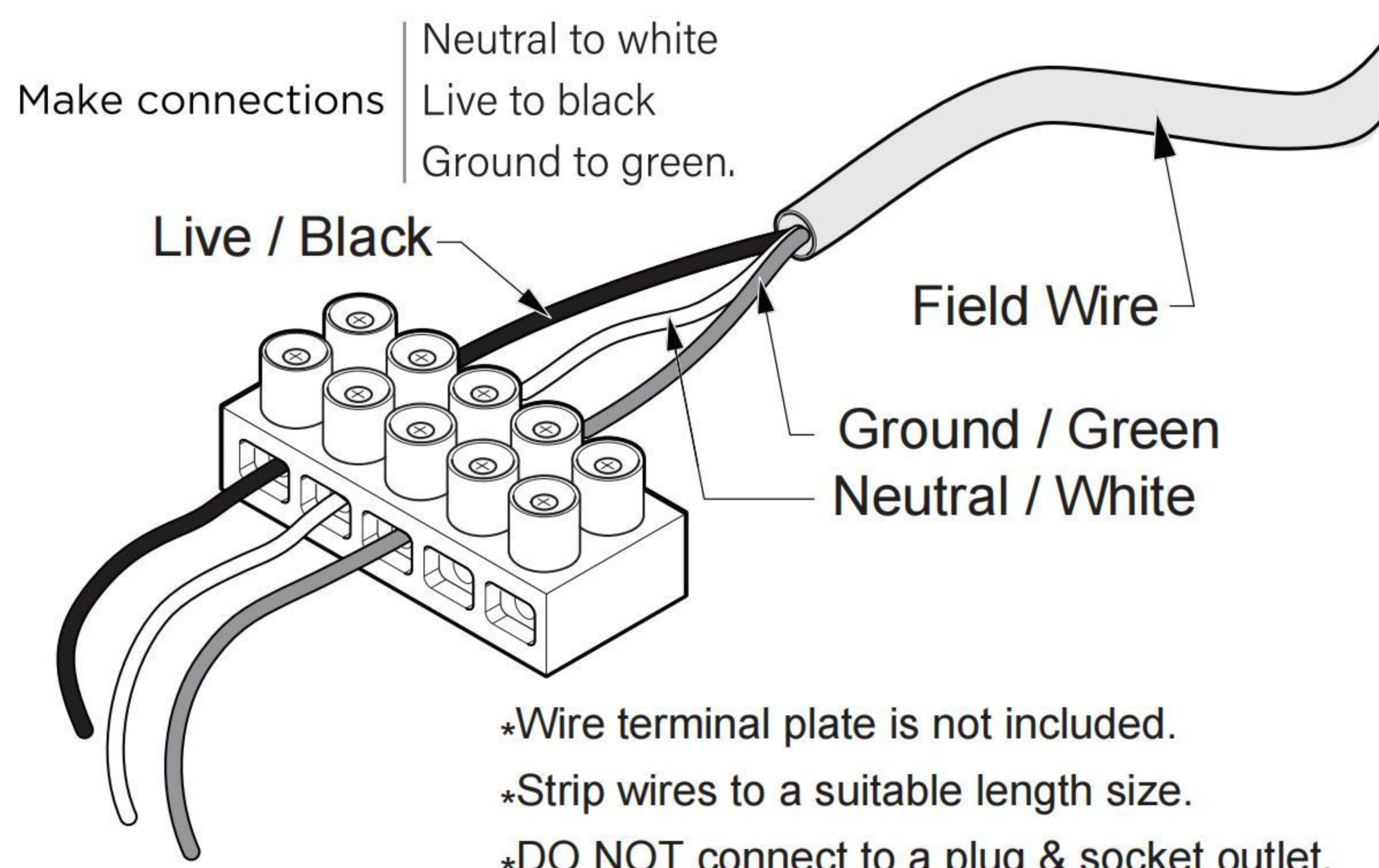
CAUTION: Requires 120 VAC 20 Amp GFI protected circuit.

vertical hanging



horizontal hanging

Electric wiring: Be sure to provide enough wire to make the proper and safe connection to the Field/Power.

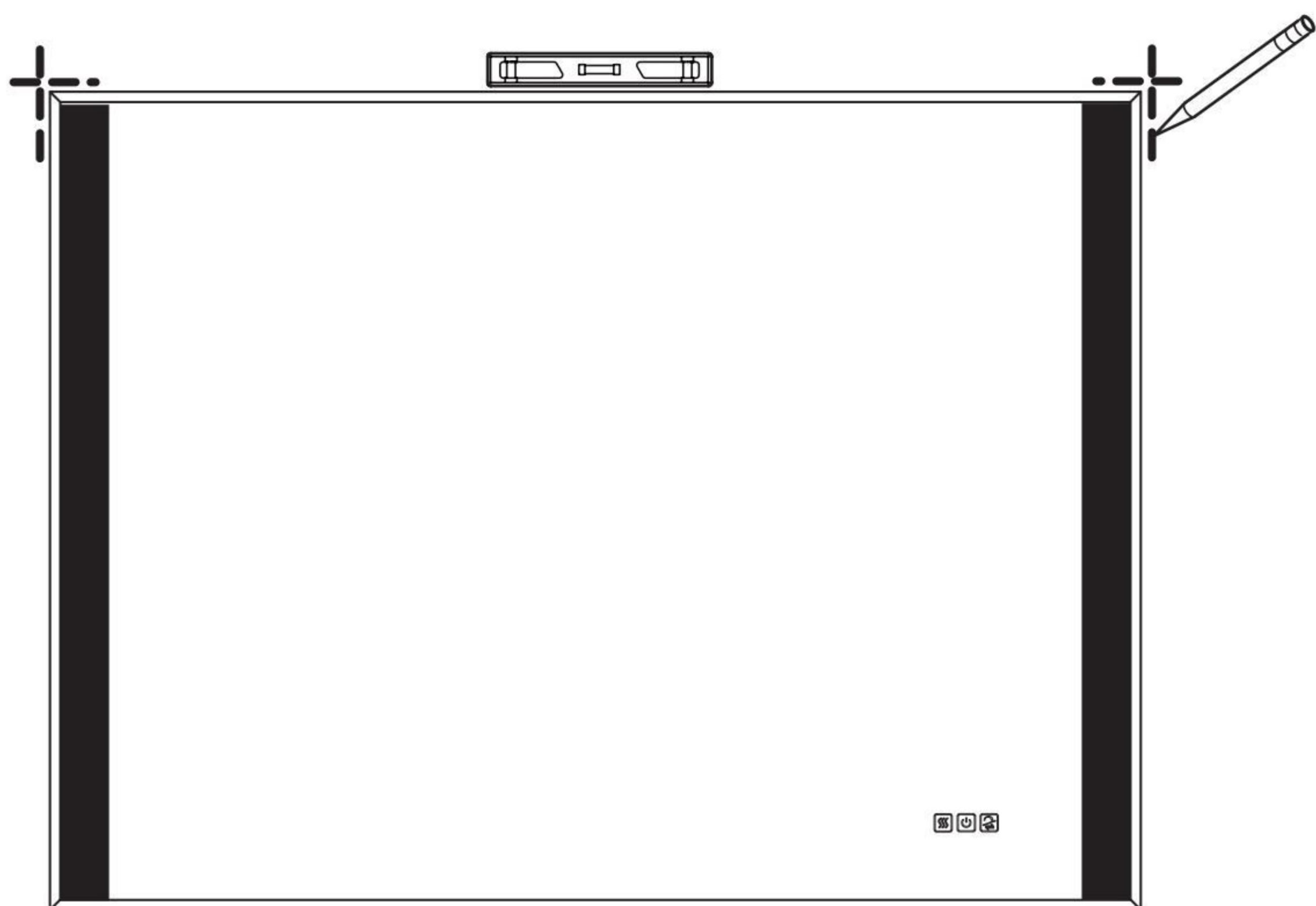


MIRROR FEATURES

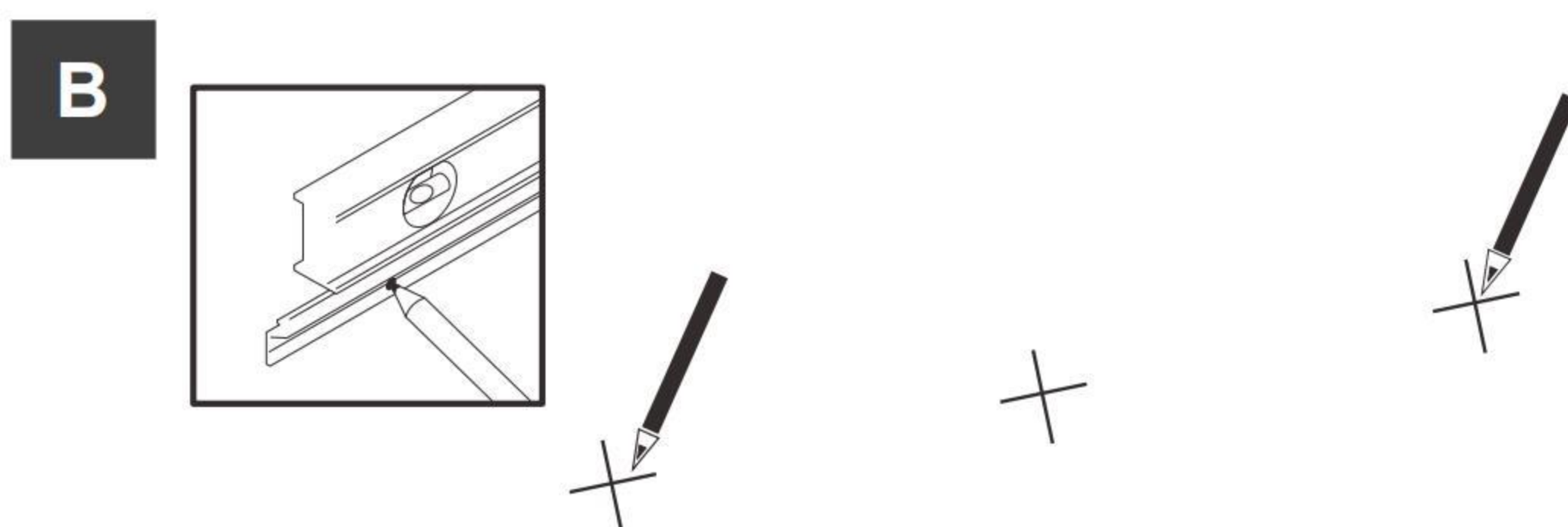
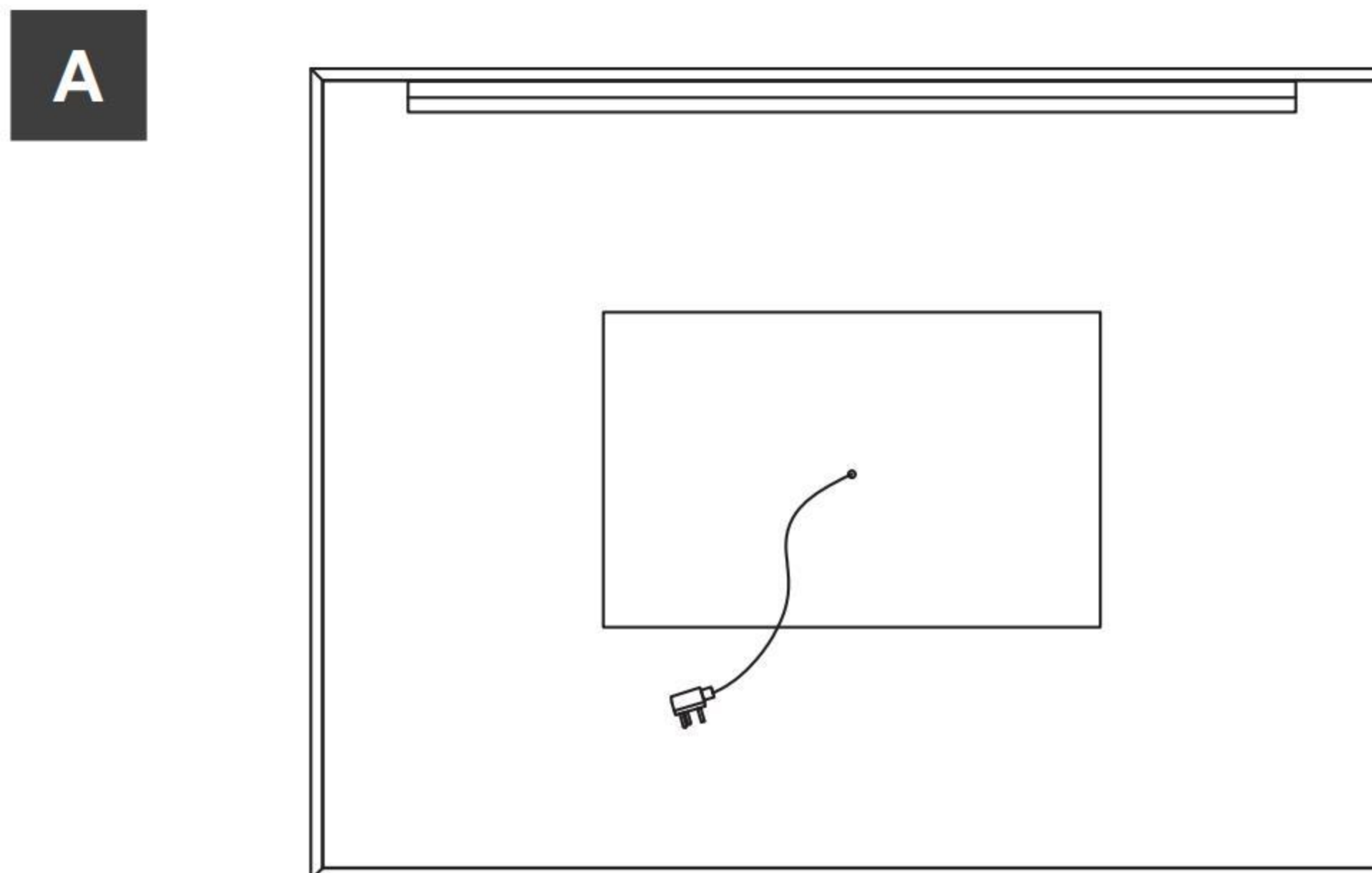
- 5mm copper free silver mirror
- High quality LED Lighting
- CRI 90+, 3000-6000K CCT, IP44
- Color temperature and dimming
- Separate controlled defogger
- Vertical and horizontal mount options

INSTALLATION INSTRUCTIONS

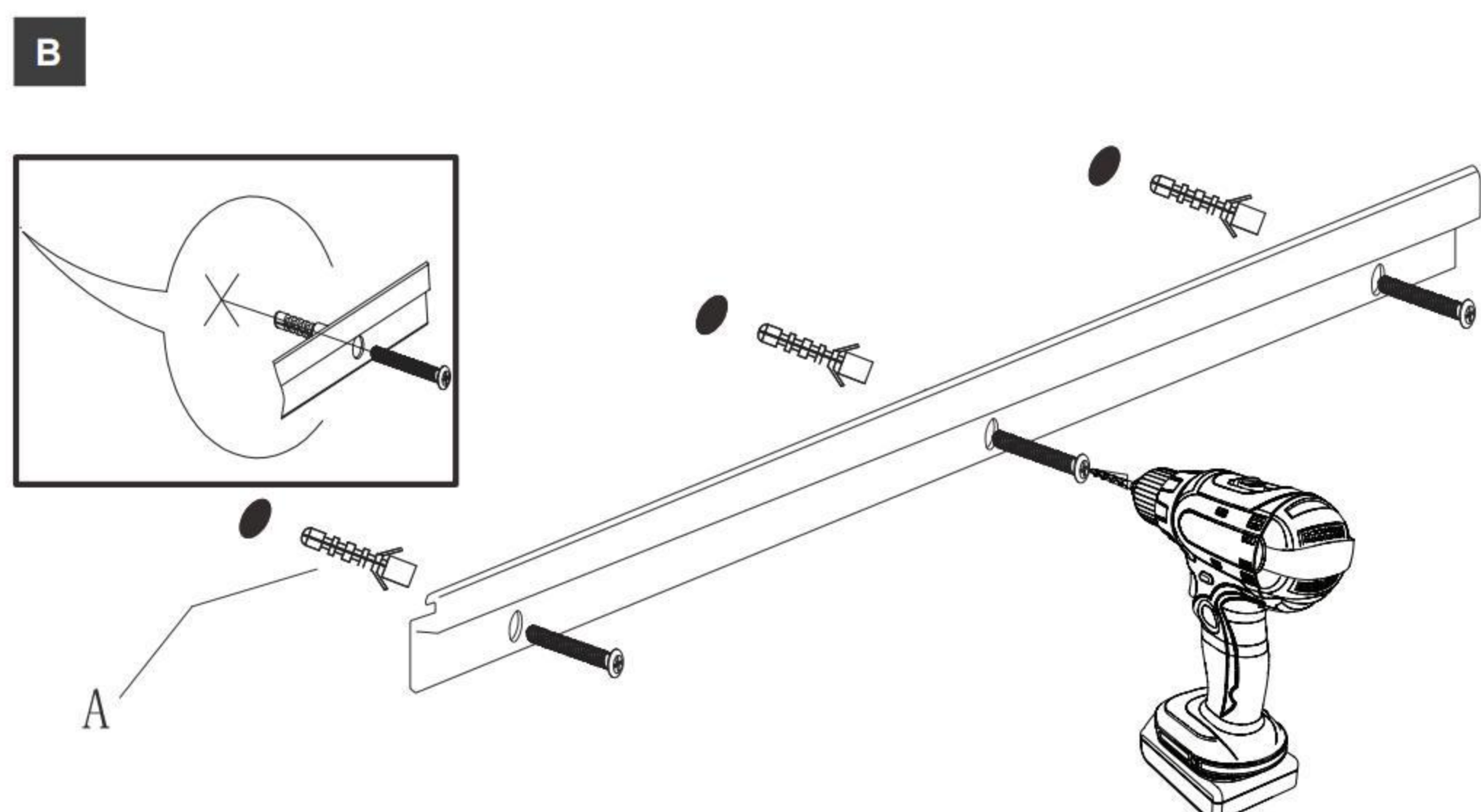
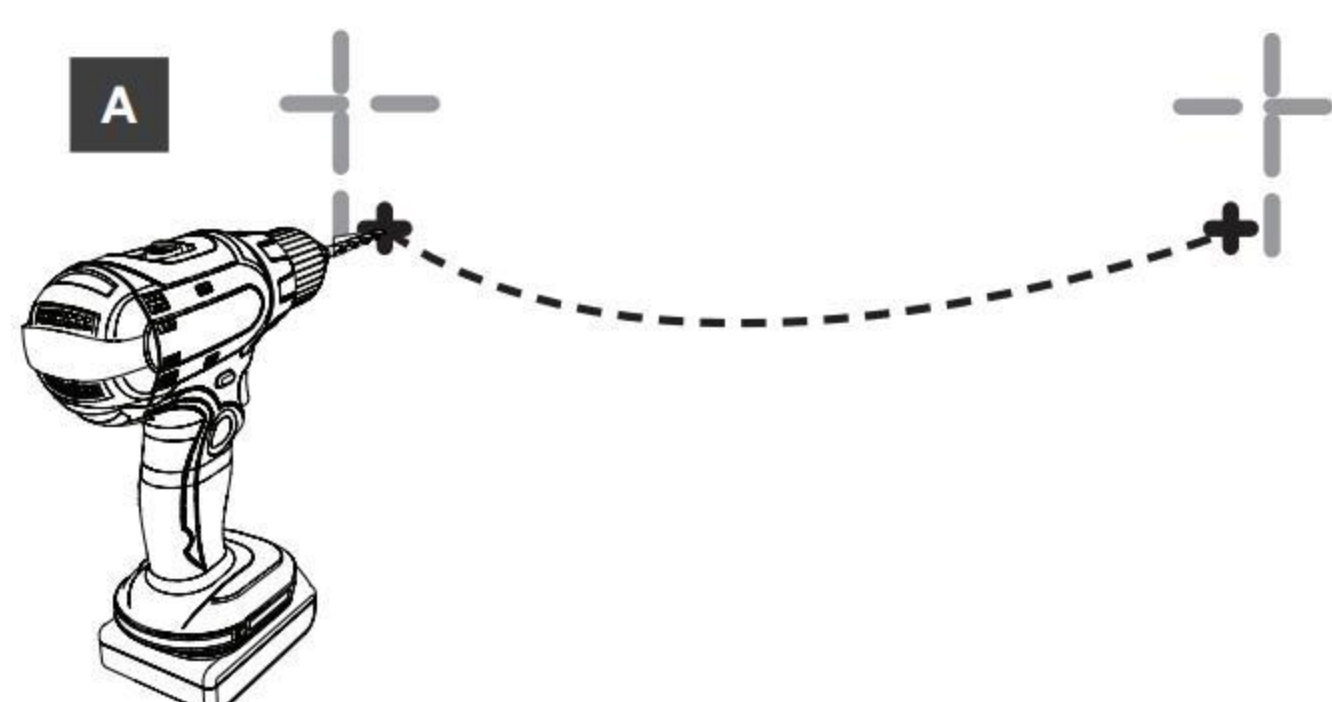
- 1 PLACEMENT**
 Select the desired position of the mirror.
 Level and mark the location.
 (vertical and horizontal mounting options)



- 2 SUPPORT LOCATION**
 Measure the hanging bar holes and mark the drilling locations ensure marking are leveled.

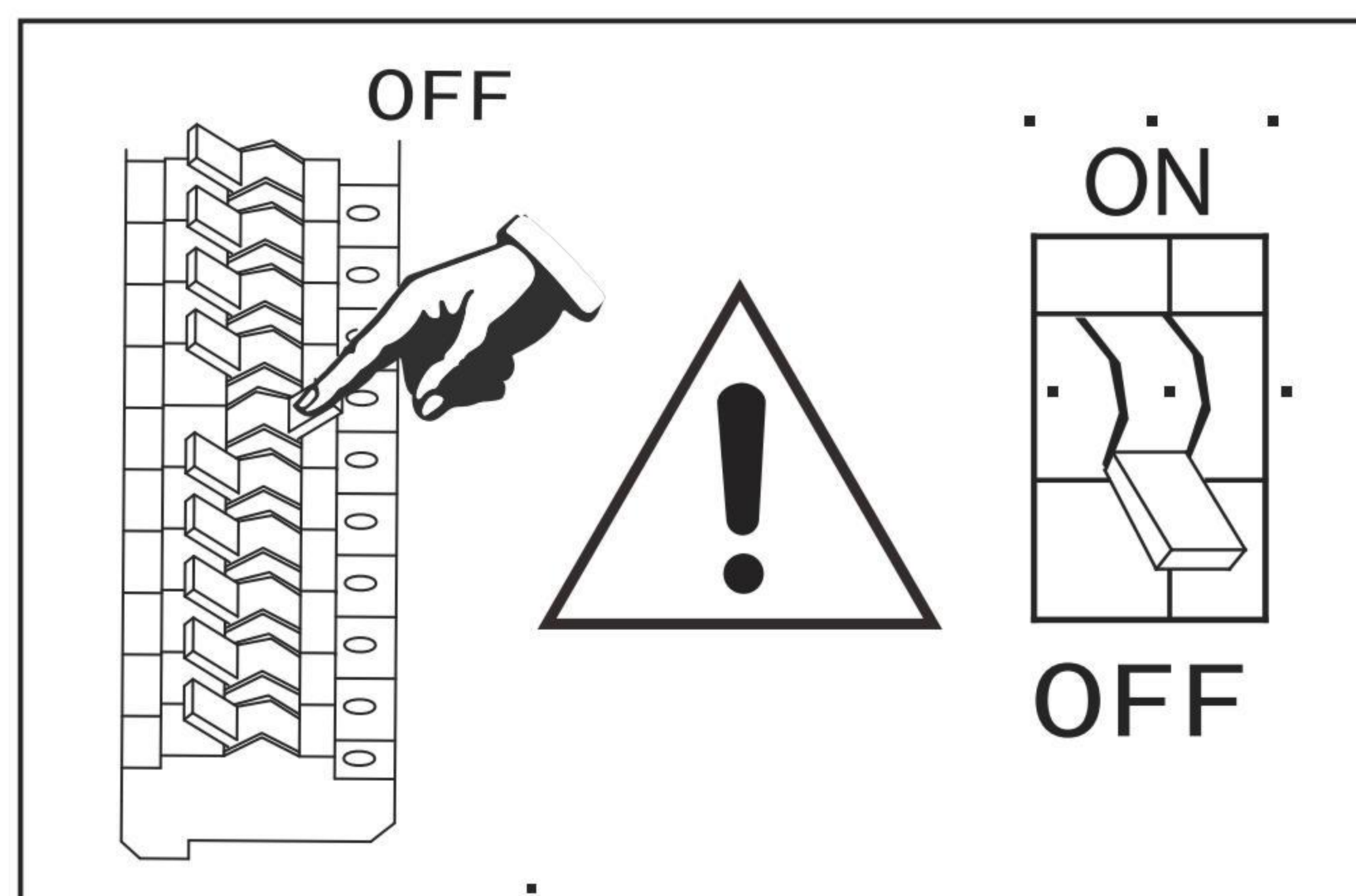


- 3 INSTALL SCREWS**
 Using a drill, make holes on solid wall, and fill with supplied plugs and screws into hanging bar holes tightly.



- 4 POWER OFF**
 Please turn off all the power before the mirror wires connection.

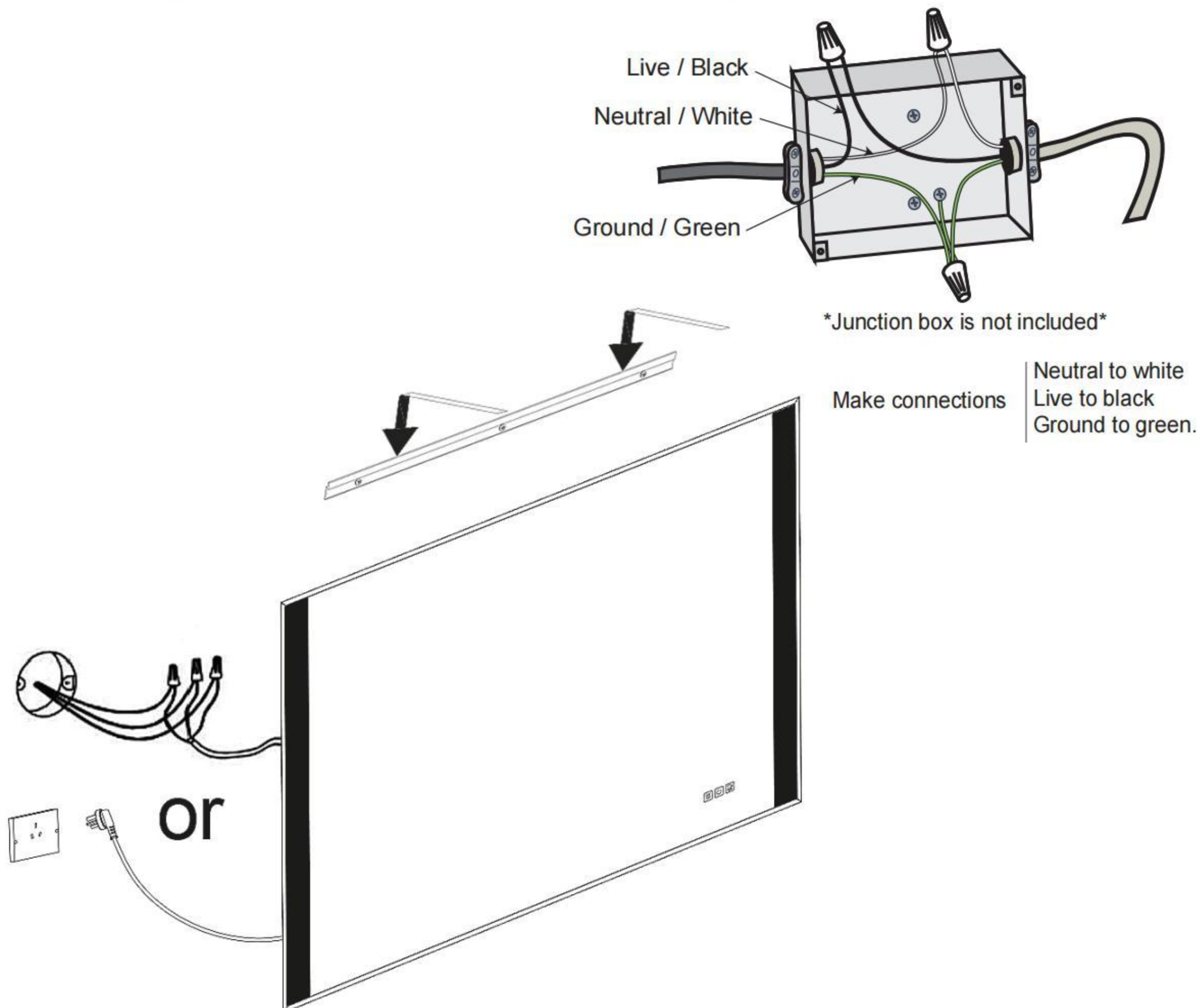
Power Off



INSTALLATION INSTRUCTIONS

5 CONNECTION

Plug into the socket ,or cut off the plug then use the wire connector to connect the external power supply. (plug or hardwire connection options)

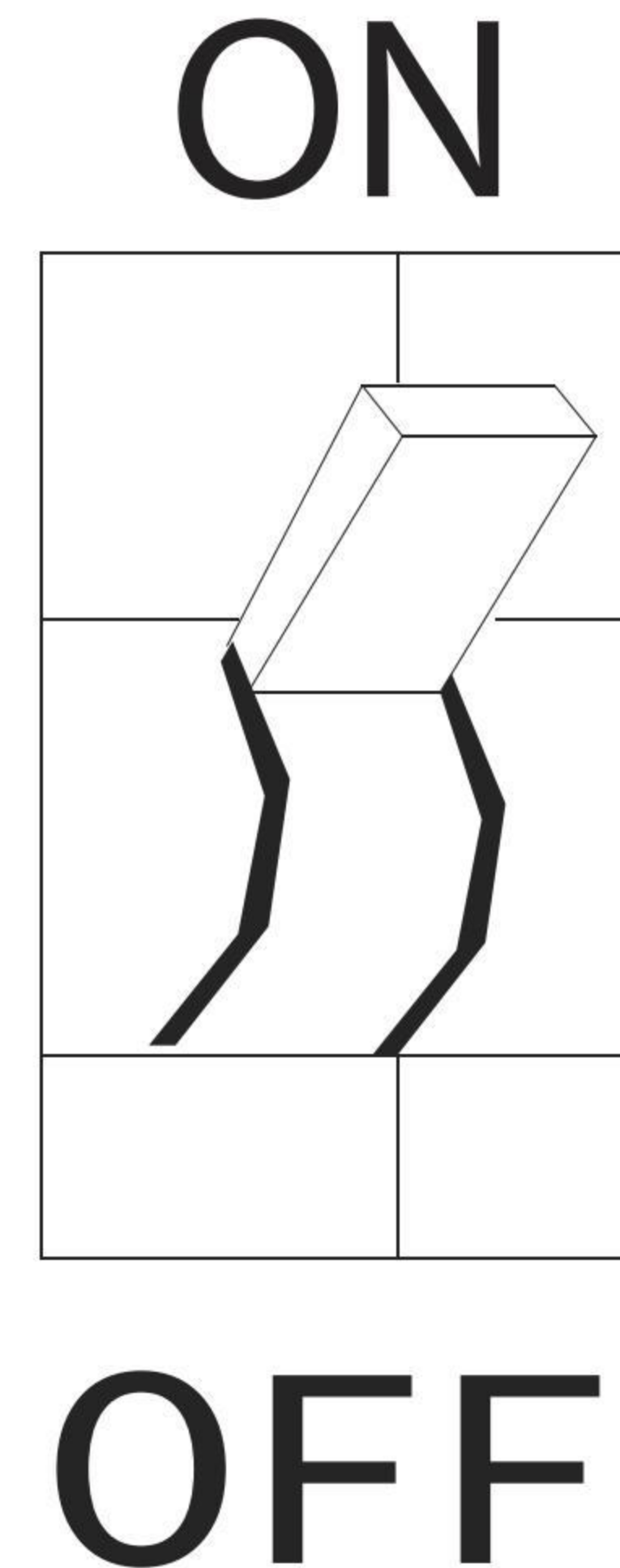


Warning: Strip wires to a suitable length. DO NOT connect the hardwire to a plug & socket outlet

6

Turn on the power

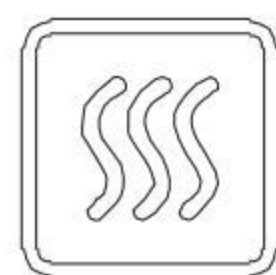
Hang up the mirror stable then turn on the power.



TOUCH SWITCH SETTING UP

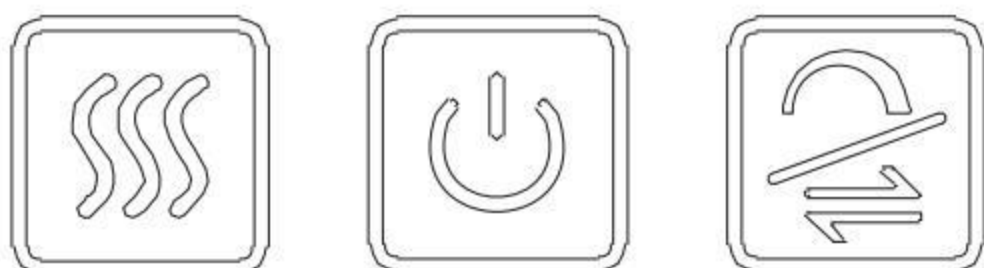
How to use Touch Switch:

Left Touch Sensor

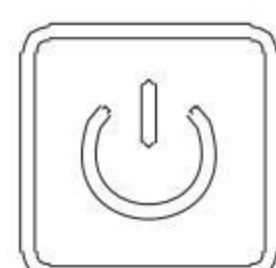


Short touch to turn ON/OFF the defogger.

Middle Touch Sensor



“Switch” sign



Short touch to ON/OFF lighting.

Right Touch Sensor



Short touch to get the light temperature 6000K, 4000K and 3000K.
Long touch to adjust the light brightness from 10%-100%.
Release the button when the light reaches the desired setting.

***Suggestion:** The mirror is equipped with memory function to preserve the previous brightness/color settings. Turn off the mirror power supply if you don't use it for a long time.

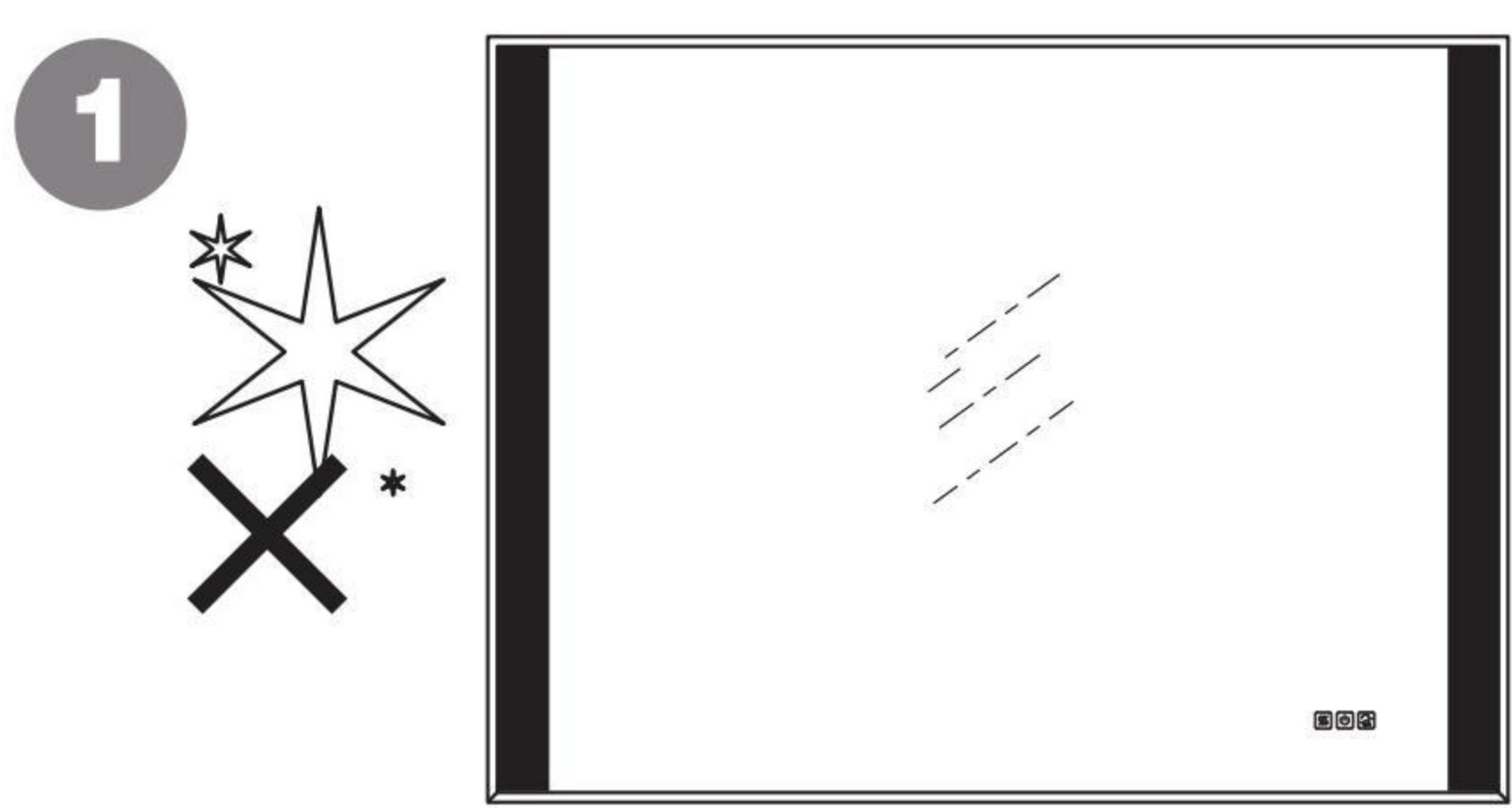
WARNINGS:

1. Please do not use if you found the mirror have been broken.
2. Never put any sharp or heavy material on the mirror surface, other wise the glass mirror will be broken and body injury accidents may occur .
3. Turn off the power switch in storm lightning weather to avoid electric parts damage.

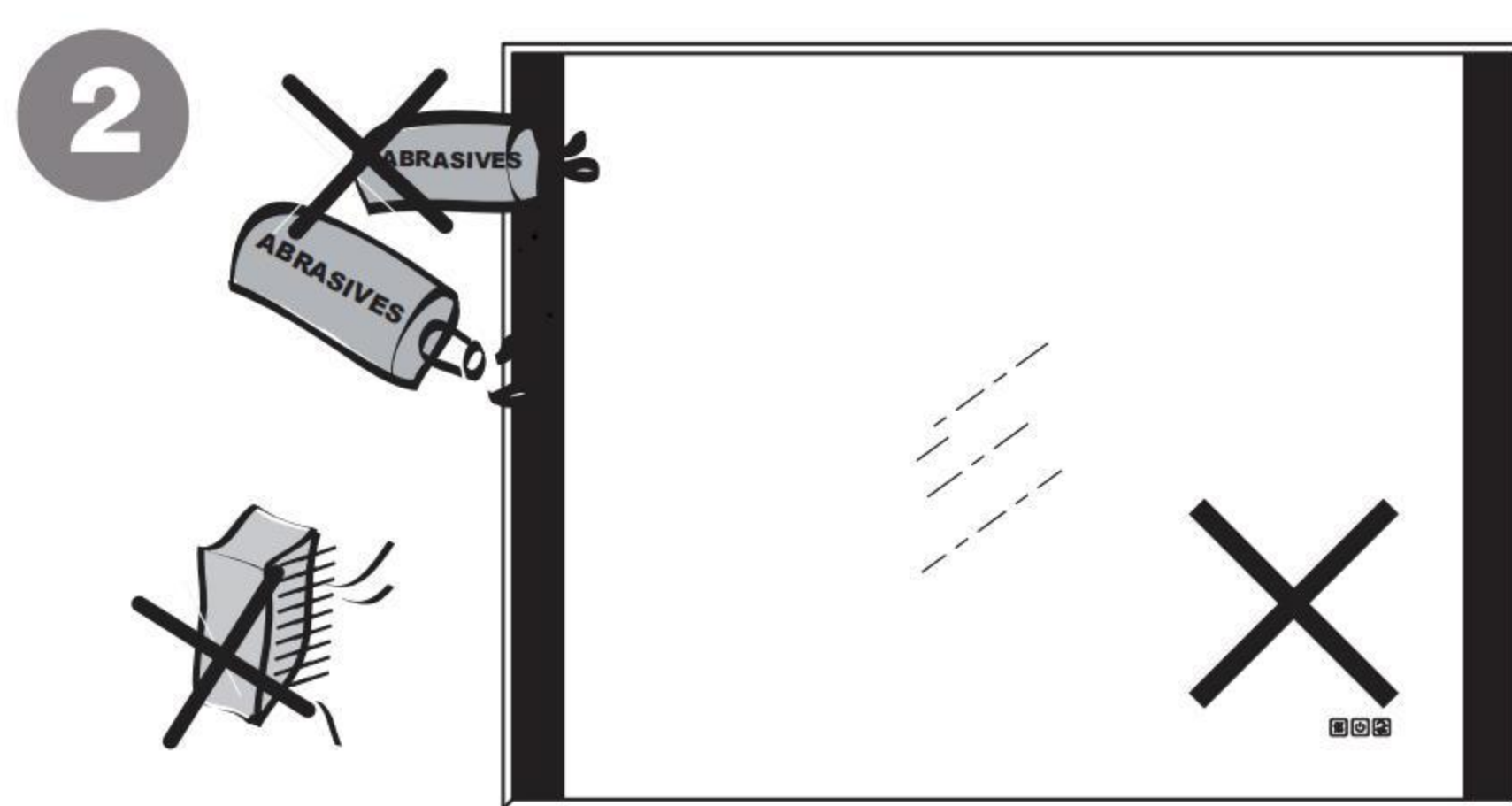
Use and Maintenance:

CAUTION:

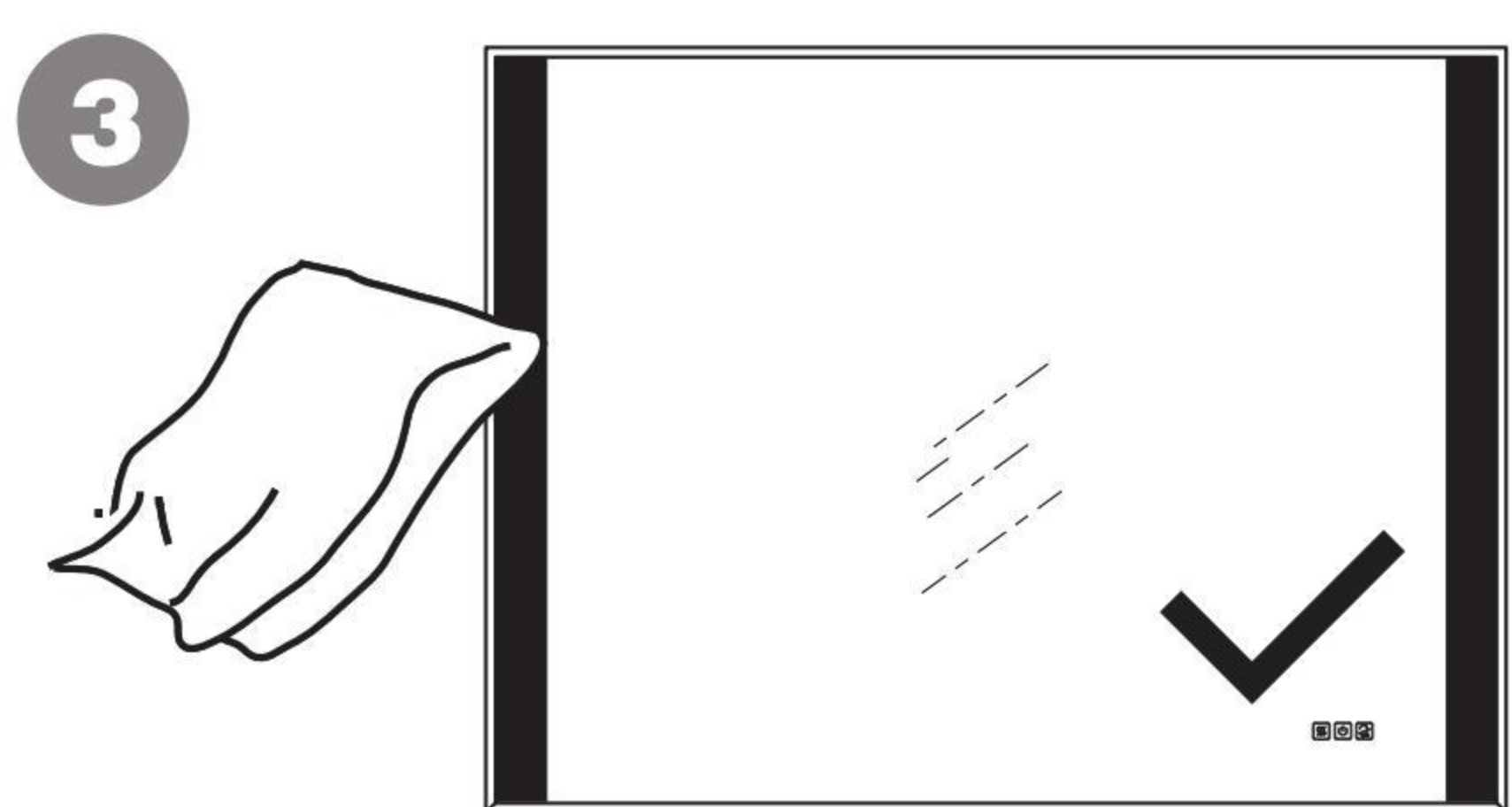
● USE

	<p>1. To avoid damage, do NOT knock the mirror with any hard objects;</p>
---	---

● CLEANING

	<p>2. Do NOT clean the mirror with caustic cleaner. Do NOT wipe the mirror with Bristle brush;</p>
---	--

● MAINTENANCE

	<p>3. For daily maintenance, please use soft cloth and mild cleaner to clean the mirror.</p>
---	--

LIMITED WARRANTY**LIMITED WARRANTY TWO YEARS TERM:**

WELLFOR warrants to the original purchaser that, it will, at its election repair, replace, or make appropriate adjustment to products made by this company shown to have significant defects in material or workmanship which are reported to WELLFOR in writing within two (2) years from the date of delivery. WELLFOR is not responsible for installation costs. The warranty is void in the event the product is damaged in transit, or if damage or failure is caused by abuse, misuse, abnormal usage, faulty installation, damage in an accident, improper maintenance, or any repairs other than those authorized by WELLFOR. At the expiration of the two years warranty period, WELLFOR shall be under no further obligation under any warranty, expressed or implied, including the implied warranty of merchantability. WELLFOR shall not be liable for any consequential damages arising out of or in connection with the use or performance of its products. Some states do not allow limitations on how long an implied warranty lasts or do not allow the exclusion or limitation of incidental or consequential damages, so the above limitation or exclusion may not apply to you. Any liability against WELLFOR under any implied warranty, including the warranty of merchantability, is expressly limited to the terms of this warranty. Permission to return any merchandise under this warranty must be authorized by WELLFOR and returned prepaid by the purchaser. Claims under this warranty should be sent directly to your dealer.

For customer support please call 206.809.0093 weekdays 9:00 to 6:00 PST, or by email: service@wellfor.com.

For more information: www.wellfor.com