

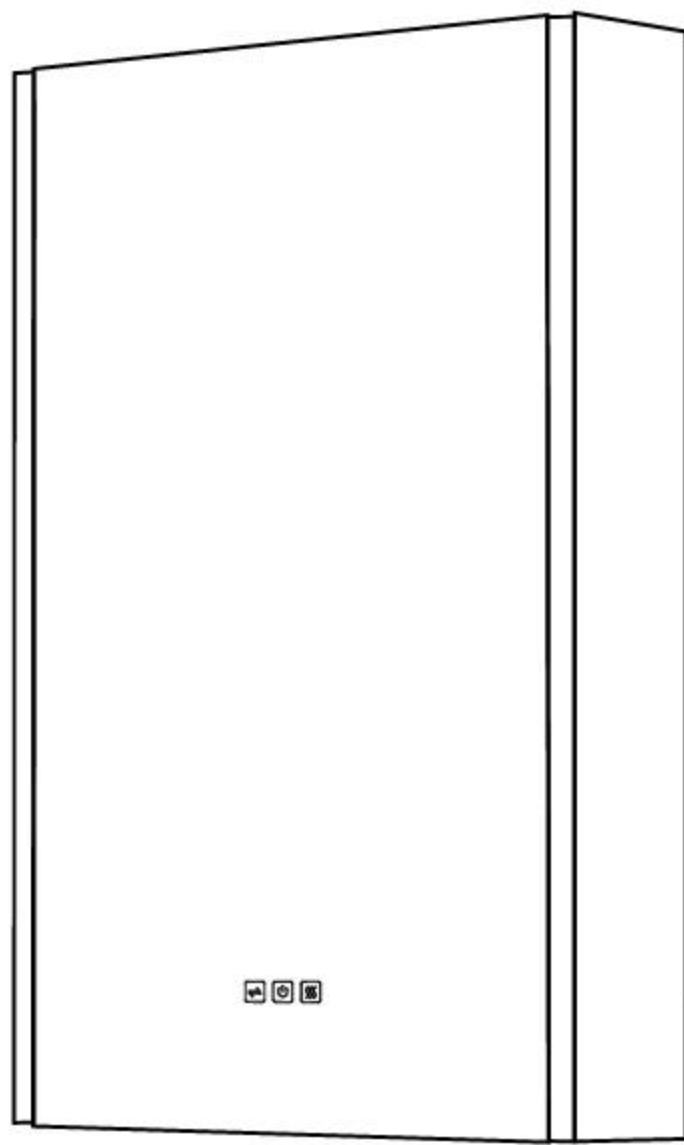
INSTALLATION

CHIC-W14MCL2030(L/R)/2430(L/R)/4830/6030

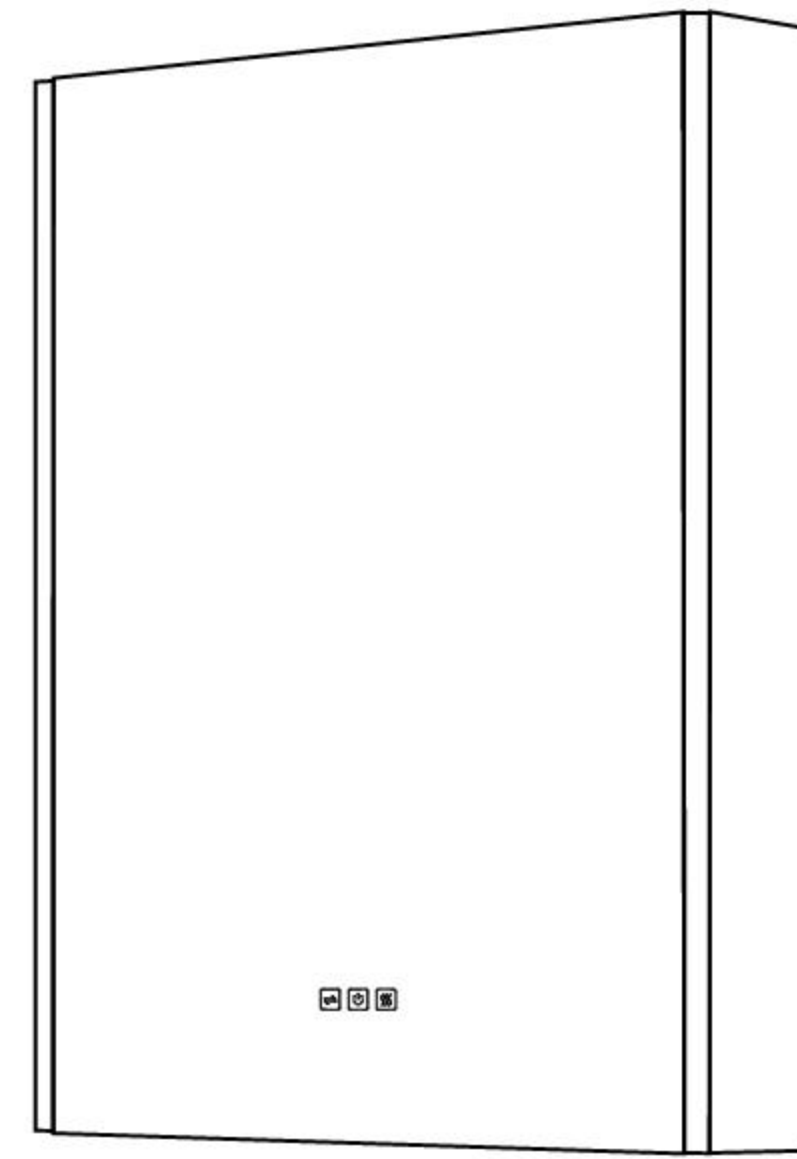
LIGHTED MEDICINE CABINET Lighting and Defogger

PRODUCT SERIES INFORMATION

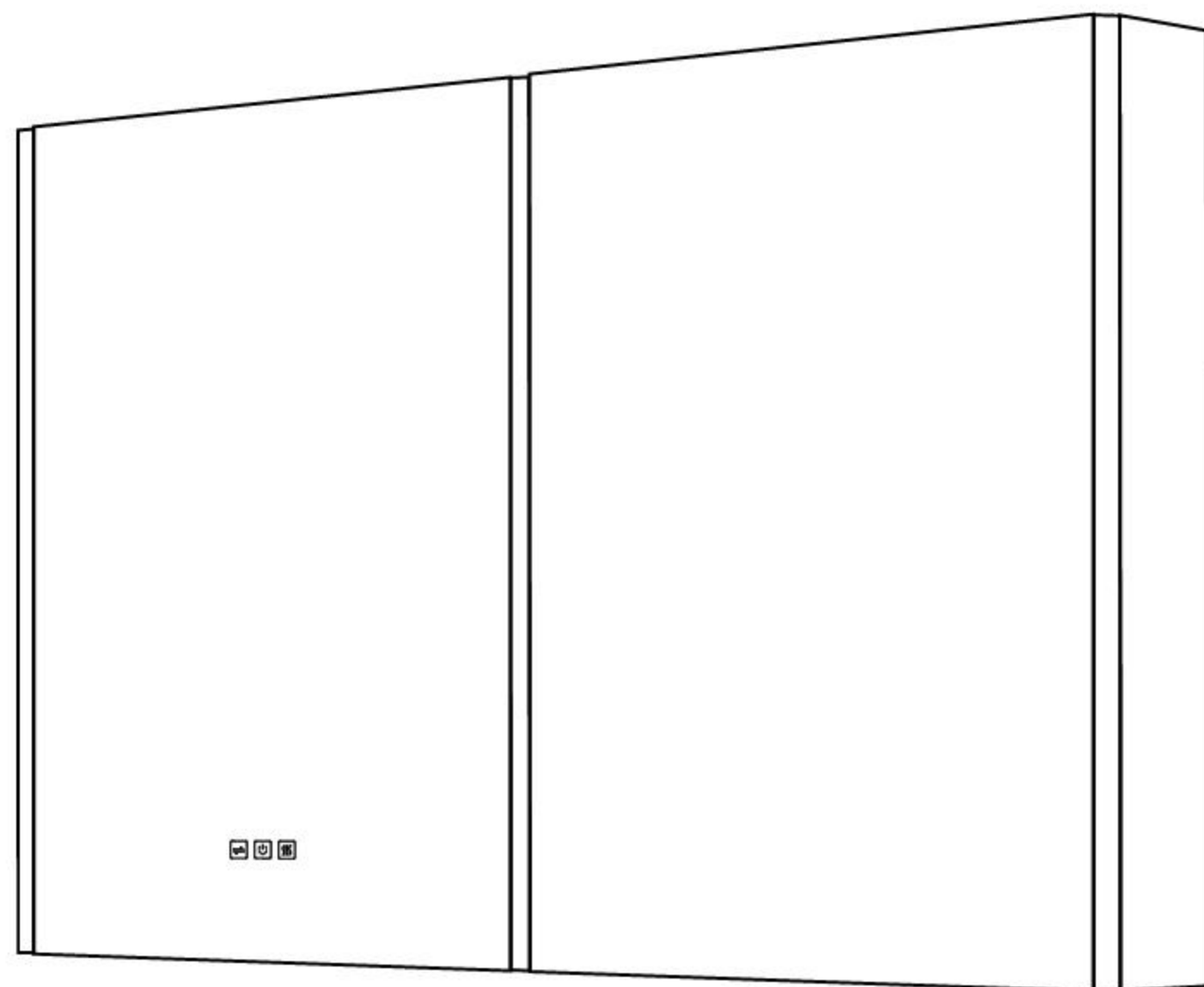
AURORA:



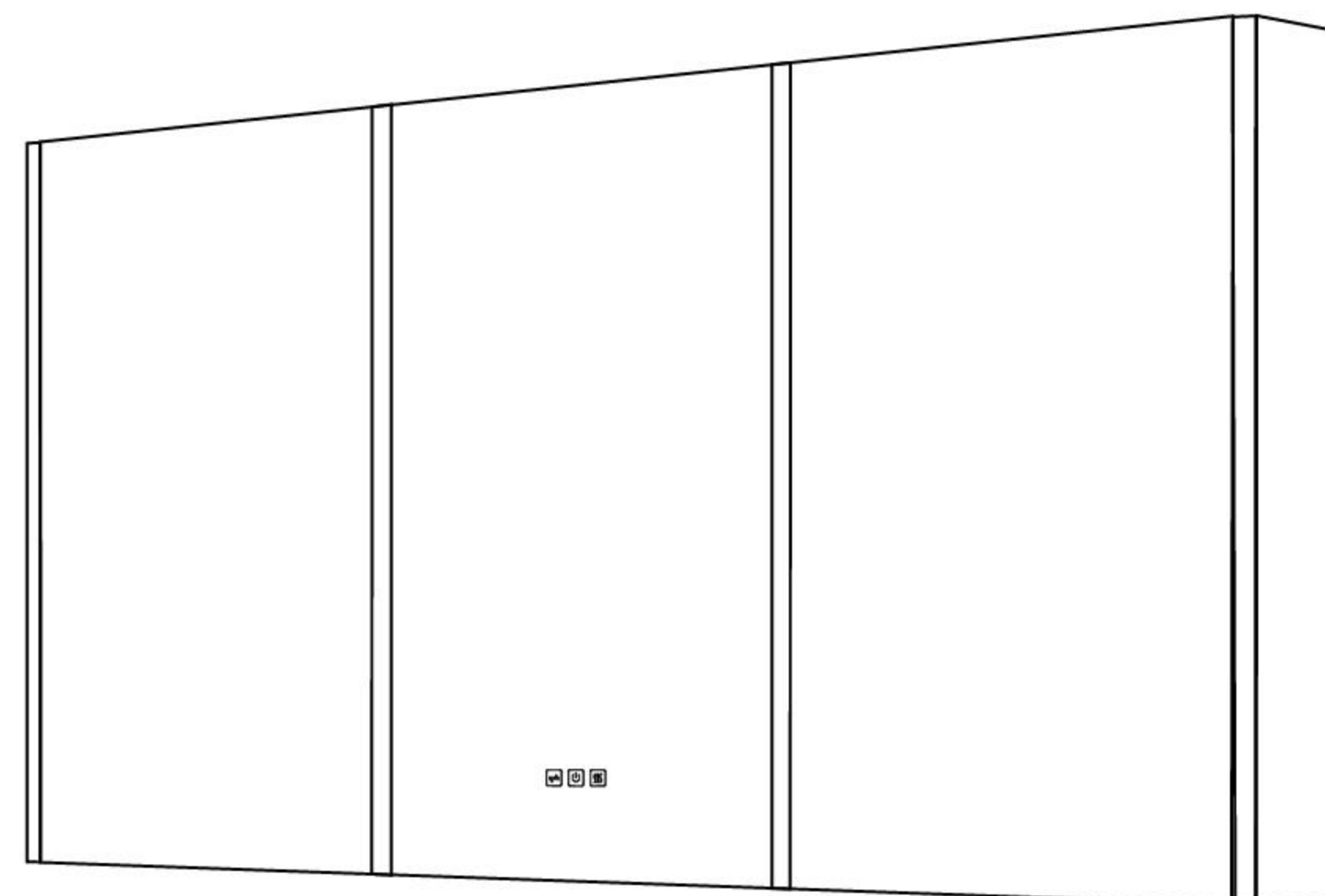
20"
W14MCL2030(L/R)



24"
W14MCL2430(L/R)

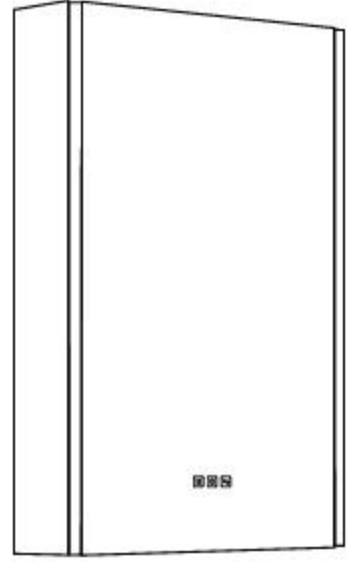


48"
W14MCL4830



60"
W14MCL6030

***WARNING:** Do not remove corner proctors & paper cushions, please remove after installation. Please retain the cabinet accessories during the installation process for future needs, for example, screws, nuts, cap and other similar components. Requires three(3) person in installation.



CHIC-W14MCL2030(L/R)/2430(L/R)/4830/6030

INSTALLATION

LIGHTED MEDICINE CABINET Lighting and Defogger

IMPORTANT SAFETY INSTRUCTIONS

When using an electrical furnishing, basic precautions should always be followed, Requires three(3) person in installation.



DANGER

READ AND FOLLOW ALL INSTRUCTIONS BEFORE USING THIS MIRROR CABINET



WARNING

To reduce the risk of burns, fire, electric shock or injury to persons. Use this furnishing only for its intended use as described in these instructions. Do not use attachments not recommended by the manufacturer. Never drop or insert any object into any opening. Do not use outdoors.



WARNING

Risk of electric shock. Connect this furnishing to a properly grounded circuit only. See Grounding instructions.

GROUNDING INSTRUCTIONS:



WARNING

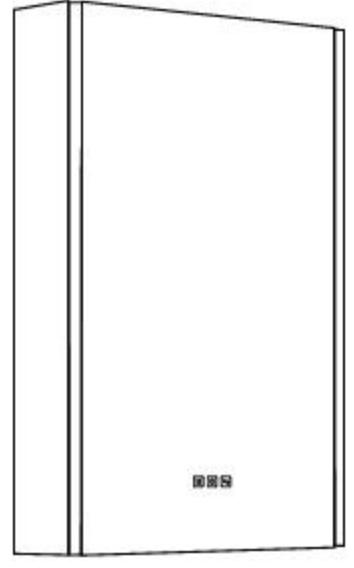
This product must be connected to a grounded metal, permanent wiring system, or an equipment-grounding conductor must be run with the circuit conductors and connected to the equipment-grounding terminal or lead on the product.

An Electrical option cabinet must be wired to a 20 Amp GFI (Ground Fault Interrupter) protected circuit when used in bathrooms and all other locations required by the National Electric Code.

NOTE: To ensure the normal use of product, it is required to set out wires as per the regulations of IEE. The product is only applicable to the indoor installation. The installation must be executed by a professional electrician, wrong installation may lead to product damage and personal injury.

PLEASE SAVE THESE INSTRUCTIONS FOR FUTURE REFERENCE

ALL RIGHTS RESERVED



CHIC-W14MCL2030(L/R)/2430(L/R)/4830/6030

INSTALLATION

LIGHTED MEDICINE CABINET Lighting and Defogger

ELECTRIC CONNECTIONS

ALL WIRING SHOULD BE DONE BY A QUALIFIED LICENCED ELECTRICIAN



WARNING: Shut off power before wiring the mirror.



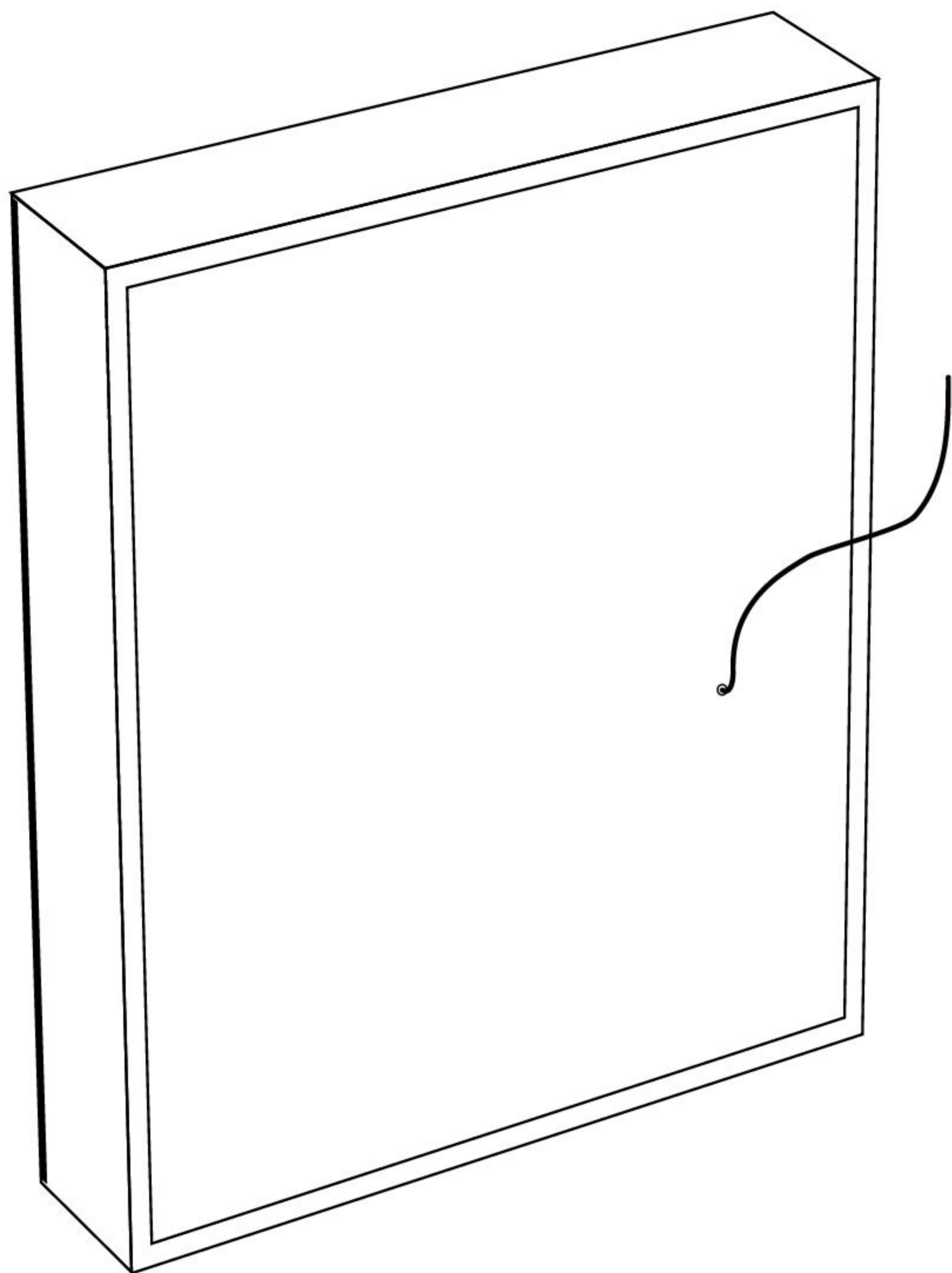
WARNING: An Electrical option mirror must be wired to a 20 Amp GFI (Ground Fault Interrupter) protected circuit when used in bathrooms and all other locations required by the National Electric Code.



WARNING: This mirror must be connected to a grounded, metal permanent wiring system or an equipment-grounding conductor must be run with the circuit conductors and connected to the equipment grounding terminal or lead on the mirror.

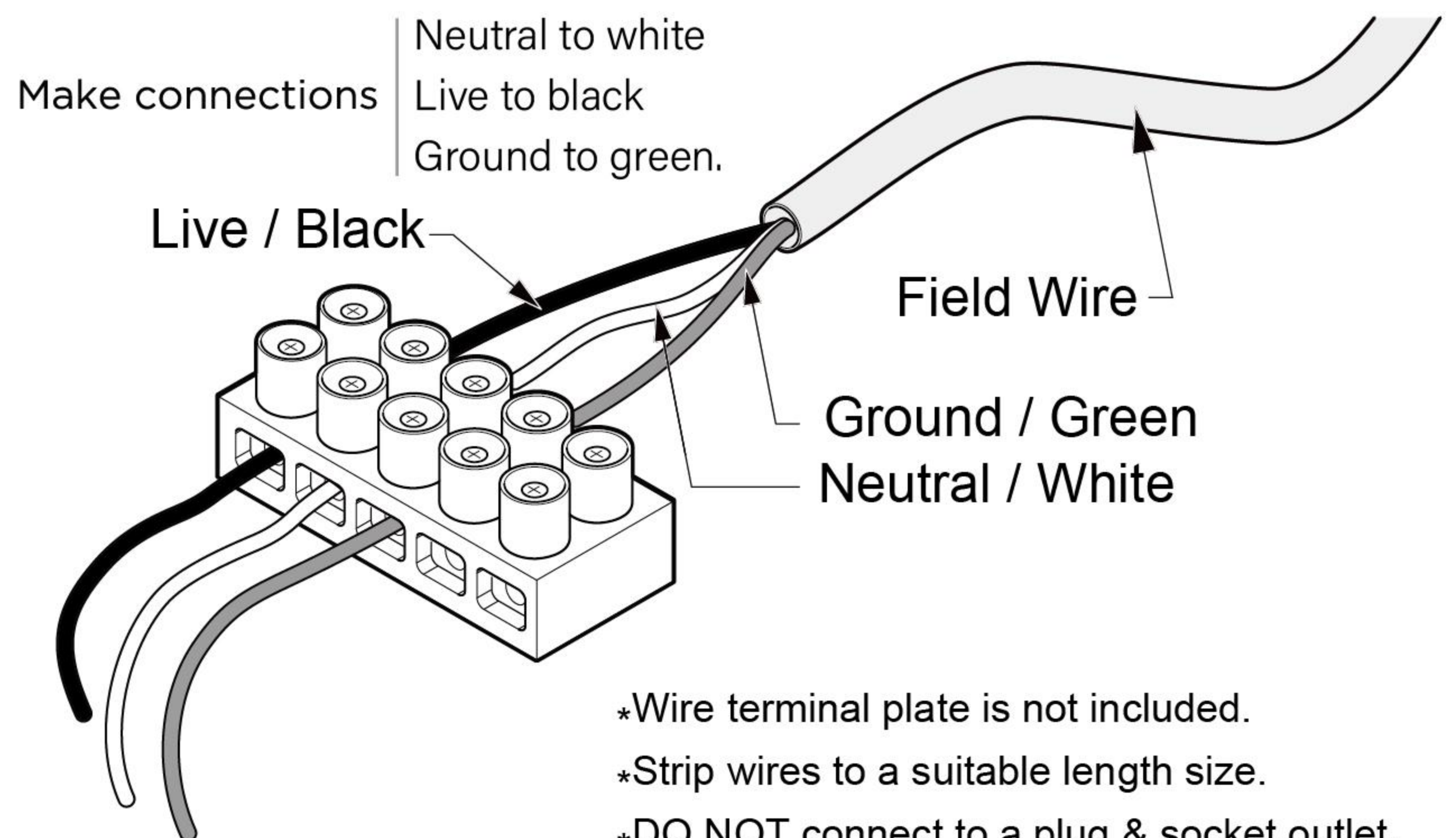


CAUTION: Requires 120 VAC 20 Amp GFI protected circuit.



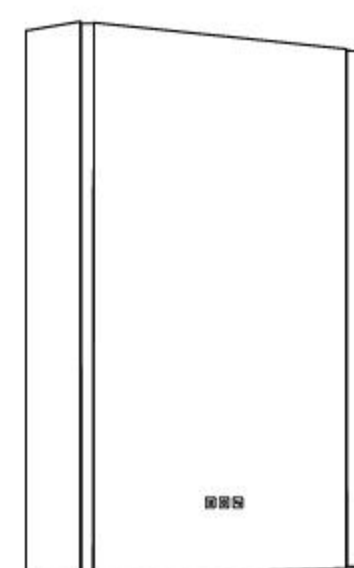
Electric wiring: Be sure to provide enough wire to make the proper and safe connection to the Field/Power.

WIRING DIAGRAM



MIRROR FEATURES

- Copper free silver mirror
- High output LED lighting:
CRI 90+,3000-6000K CCT, IP44
- Color Temperature changing
- Light Brigheness changing
- Wall surface mount
- Defogger

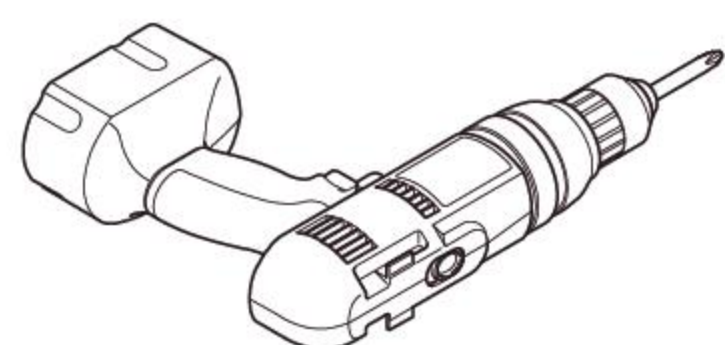


CHIC-W14MCL2030(L/R)/2430(L/R)/4830/6030

INSTALLATION

LIGHTED MEDICINE CABINET Lighting and Defogger

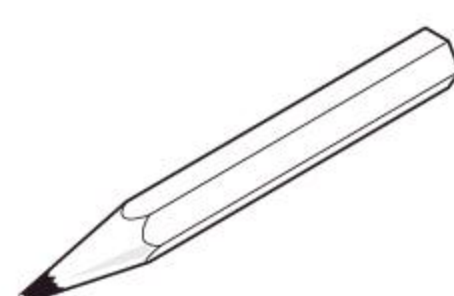
TOOLS REQUIRED FOR ASSEMBLY



Electrical Drill



1/8" Drill Bit



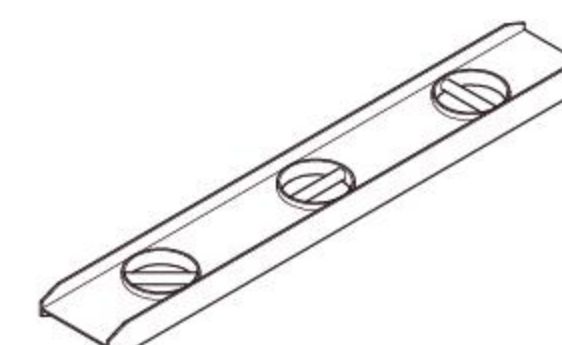
Pencil



Phillips
Screwdriver

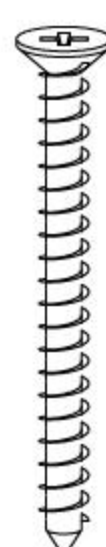


Tape Measure



Level

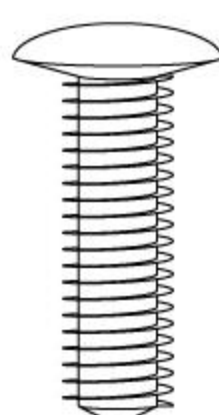
PARTS INCLUDED



SCREW
(A)



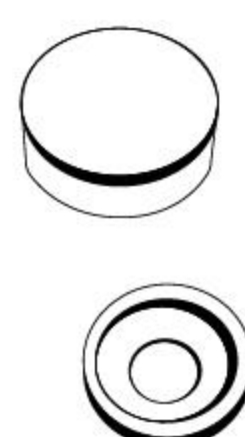
WALL
PLUG



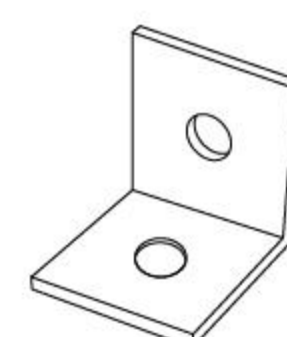
SCREW
(B)



TOP
MOUNTING
BAR



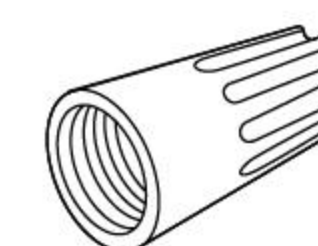
SCREW CAP
AND COVER



BOTTOM WALL BRACKET
FOR SECURING (C)



CABINET DOOR
BUMPER



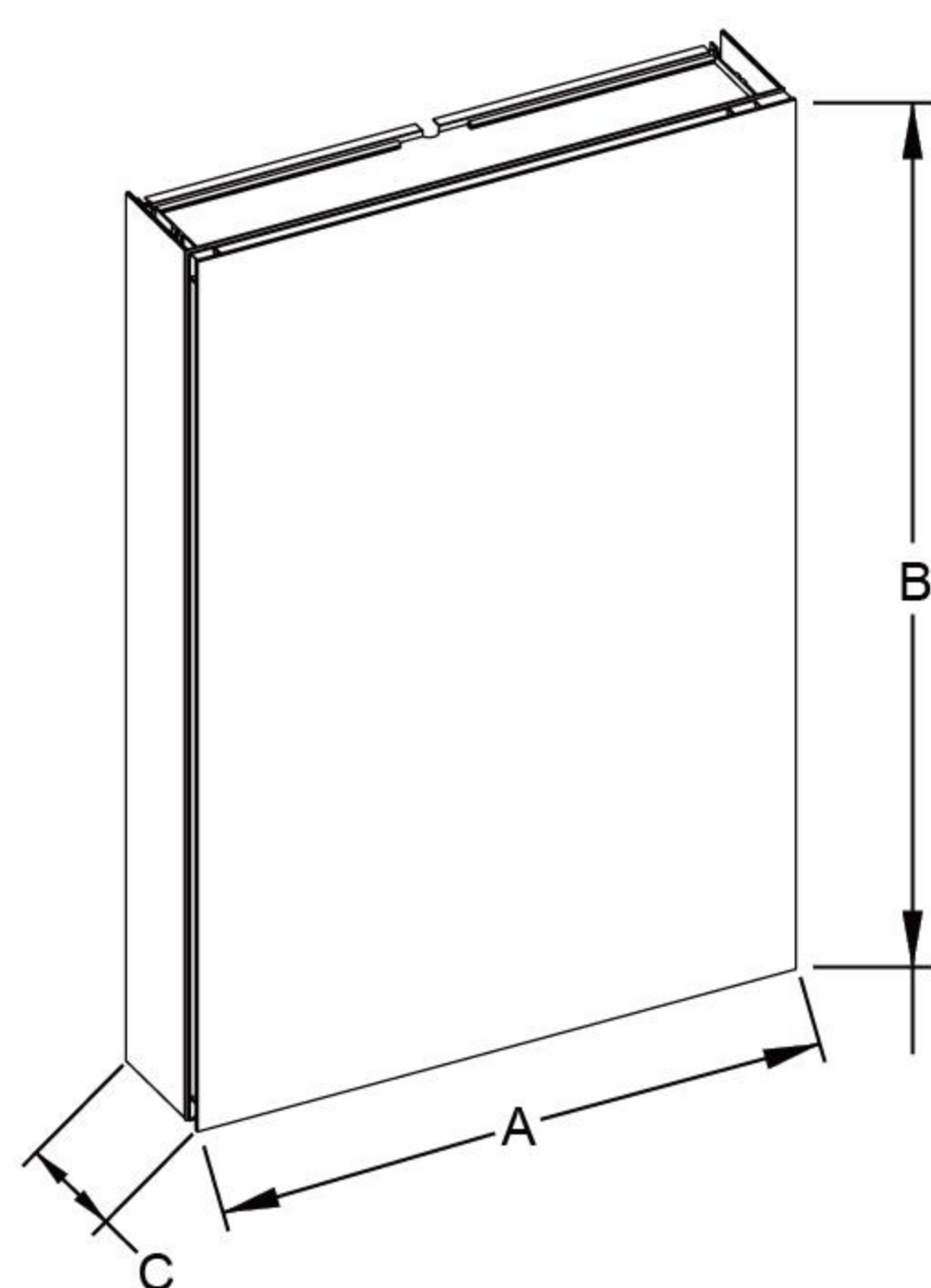
WIRE
CONNECTOR



NOTE: Determine overall mirror dimensions before installation.
Requires three(3) person in installation.

Accessories and parts may vary from the picture above. Depends on the product model and size.

DIMENSIONS



A- Cabinet Width
B- Cabinet Height
C- Cabinet Depth

Model Number / Item	A	B	C
W14MCL2030(L/R)	20"	30"	5-1/8"
W14MCL2430(L/R)	24"	30"	5-1/8"
W14MCL4830	48"	30"	5-1/8"
W14MCL6030	60"	30"	5-1/8"

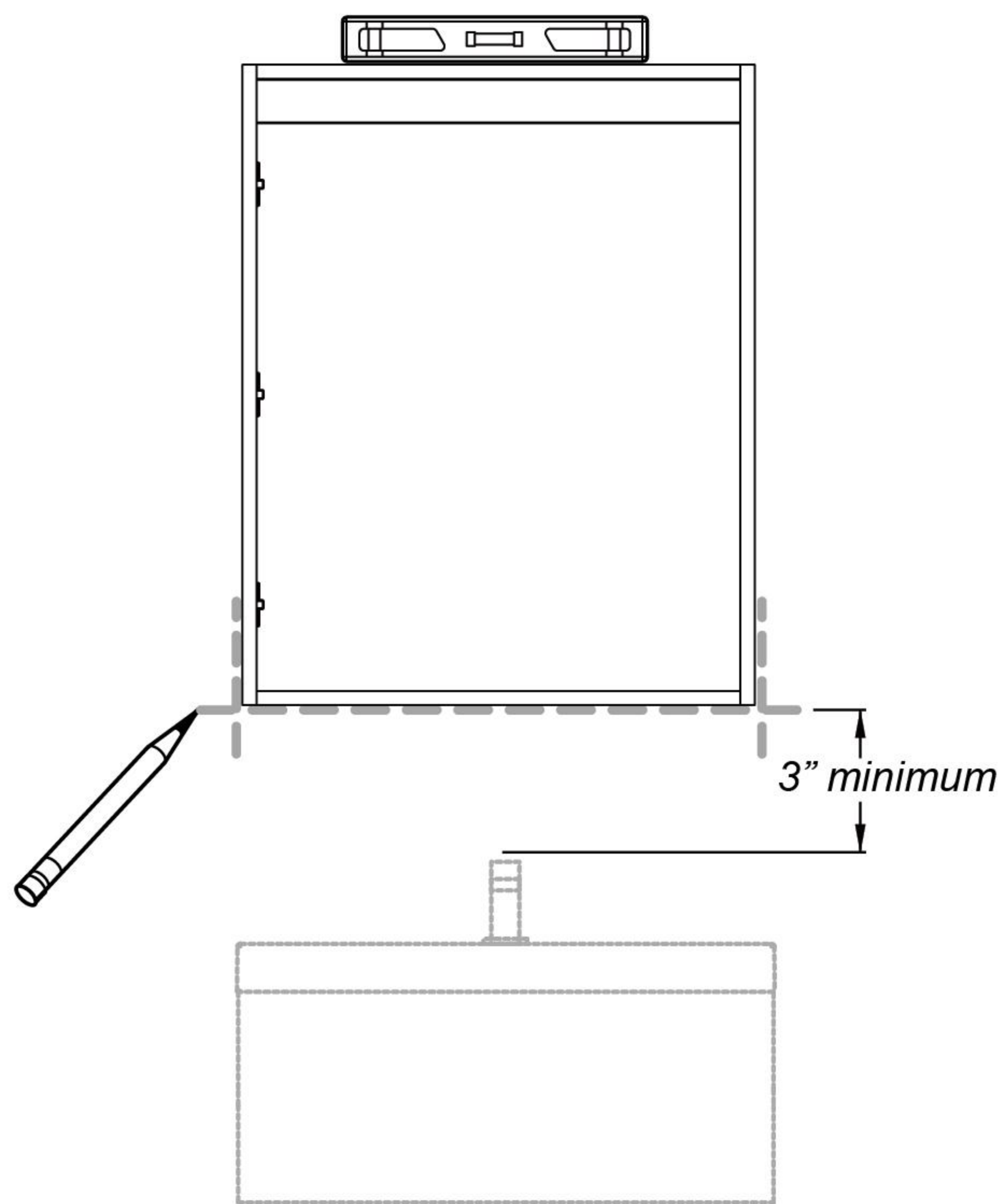
NOTE: All dimensions for reference only!

NOTE: Please use rough in size for recess mounting installation(wall cut-out).
All dimensions and specifications are nominal and may vary. Use actual products for accuracy in critical situations.
*Style and shape may vary from the picture above. Instructional purpose only *

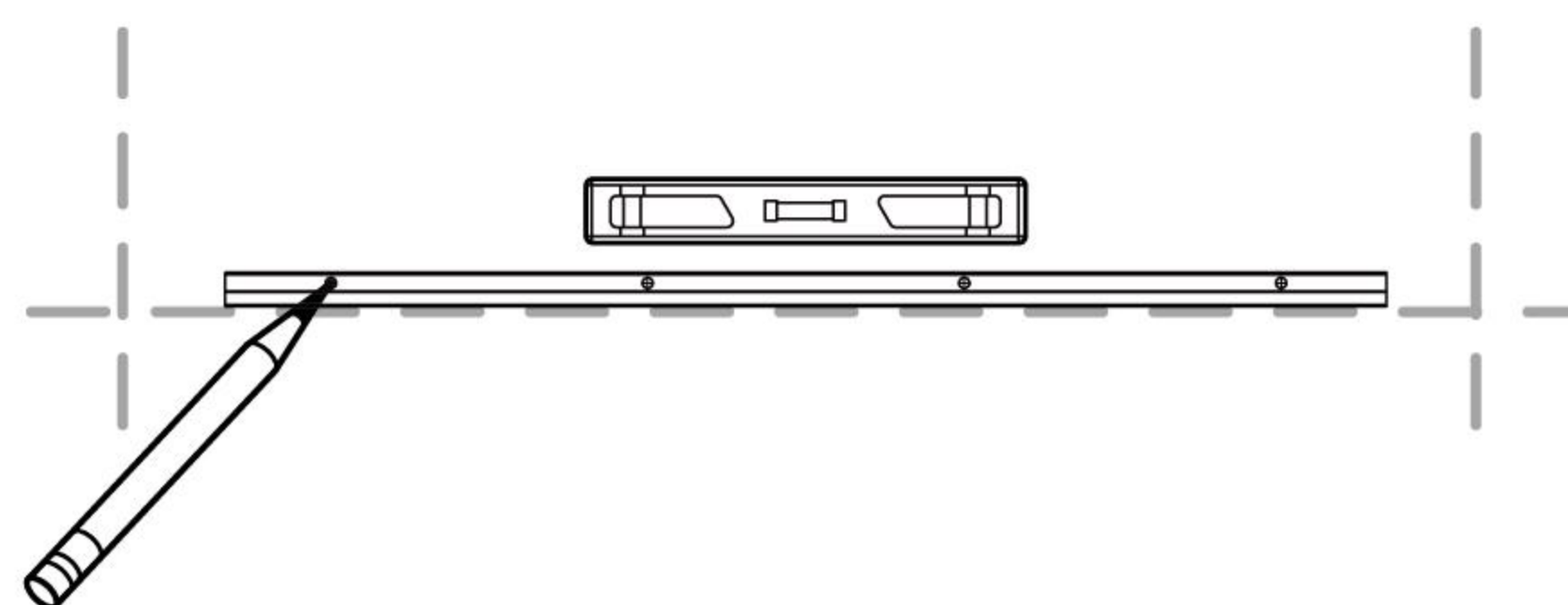
SURFACE-MOUNTED INSTALLATION

*** No need to take off the door(s) before installing the cabinets.**

1 Level and mark the cabinet's location on the wall.

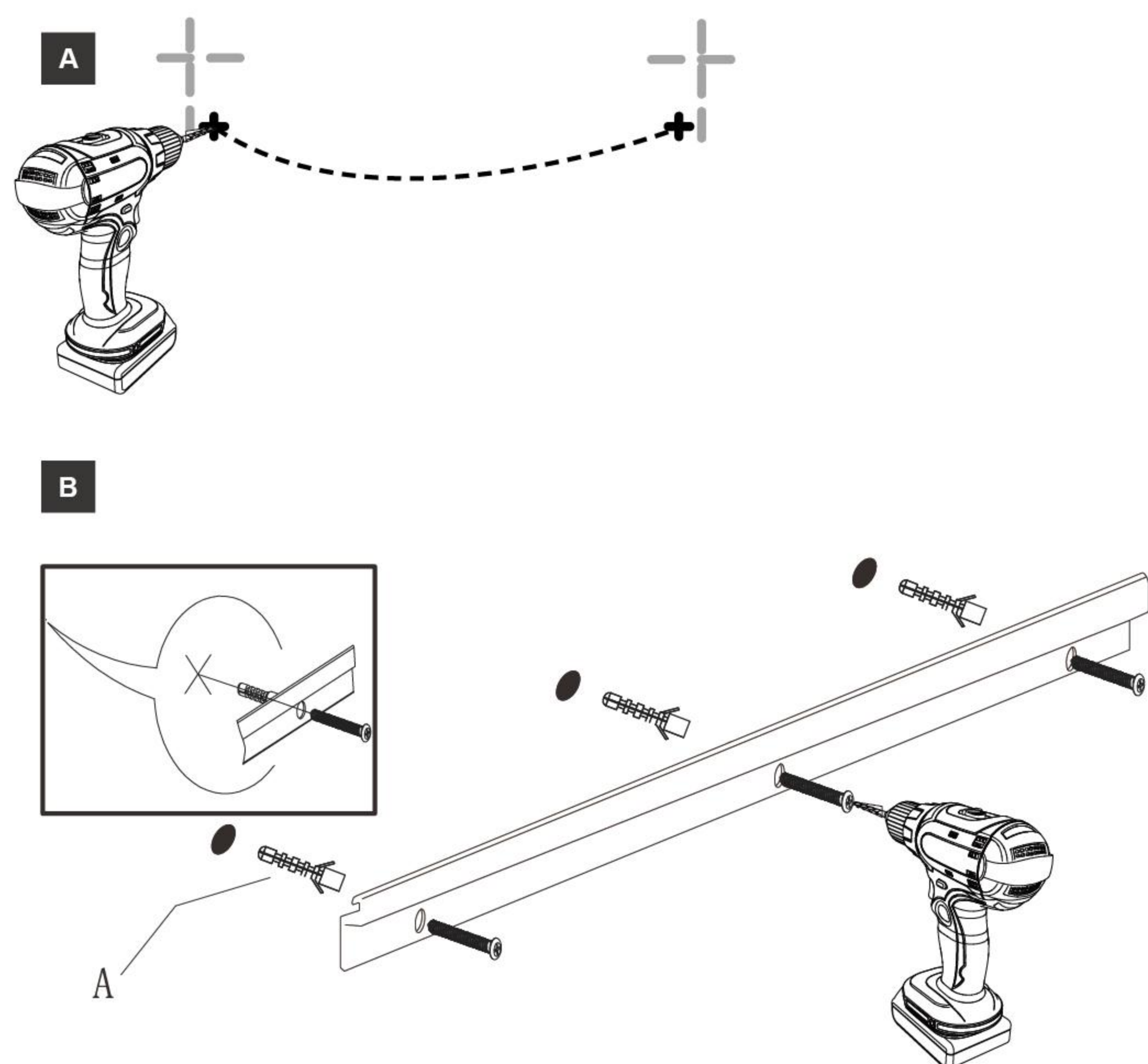


2 Mark the position of the top mounting bar and punch.



 Top mounting bar must be attached to furring strip/channel or wall studs

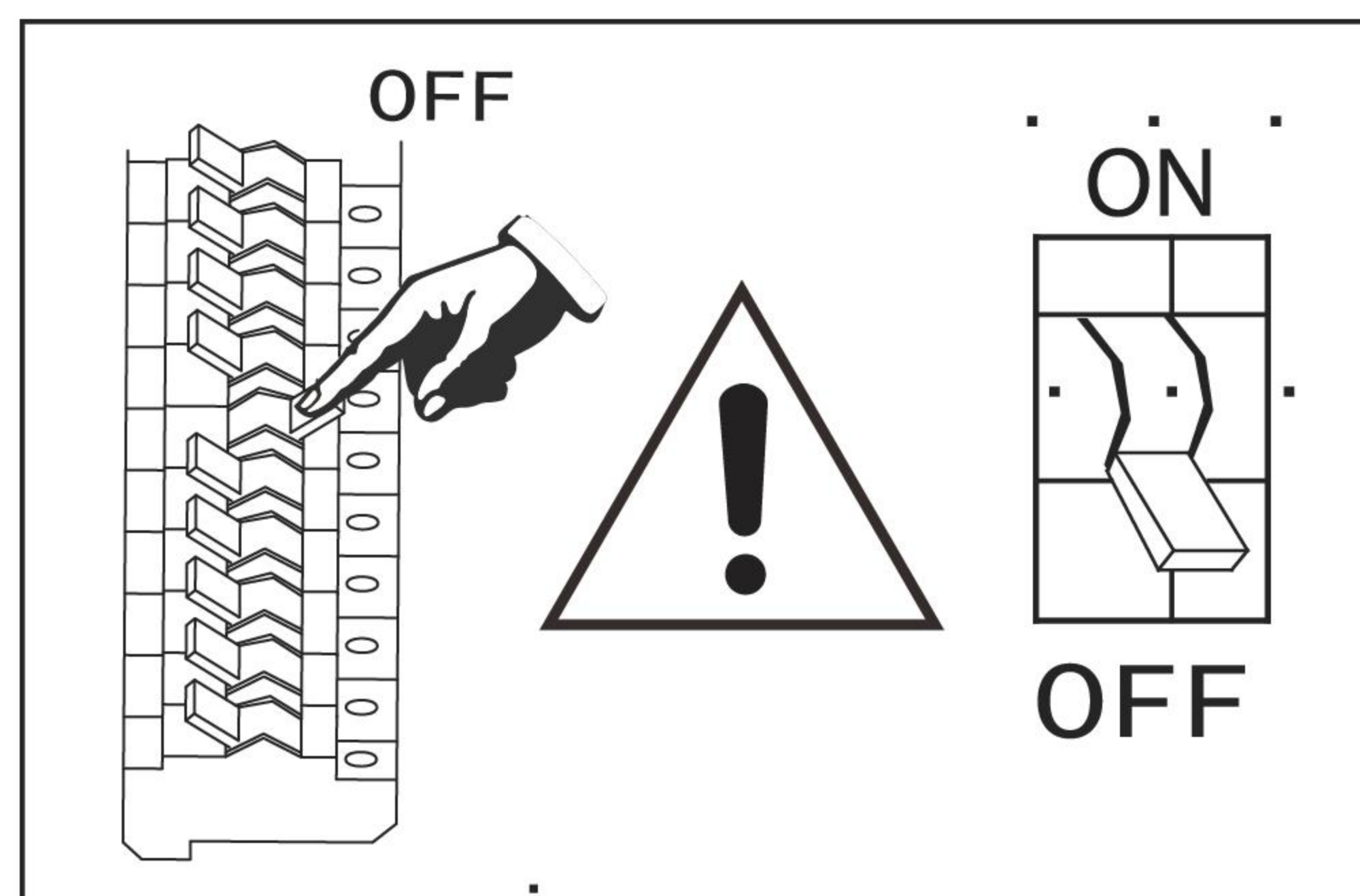
3 Using a drill, make holes on solid wall, and fill with supplied plugs and screws into hanging bar holes tightly.



Attach Top Mounting Bar to wall.

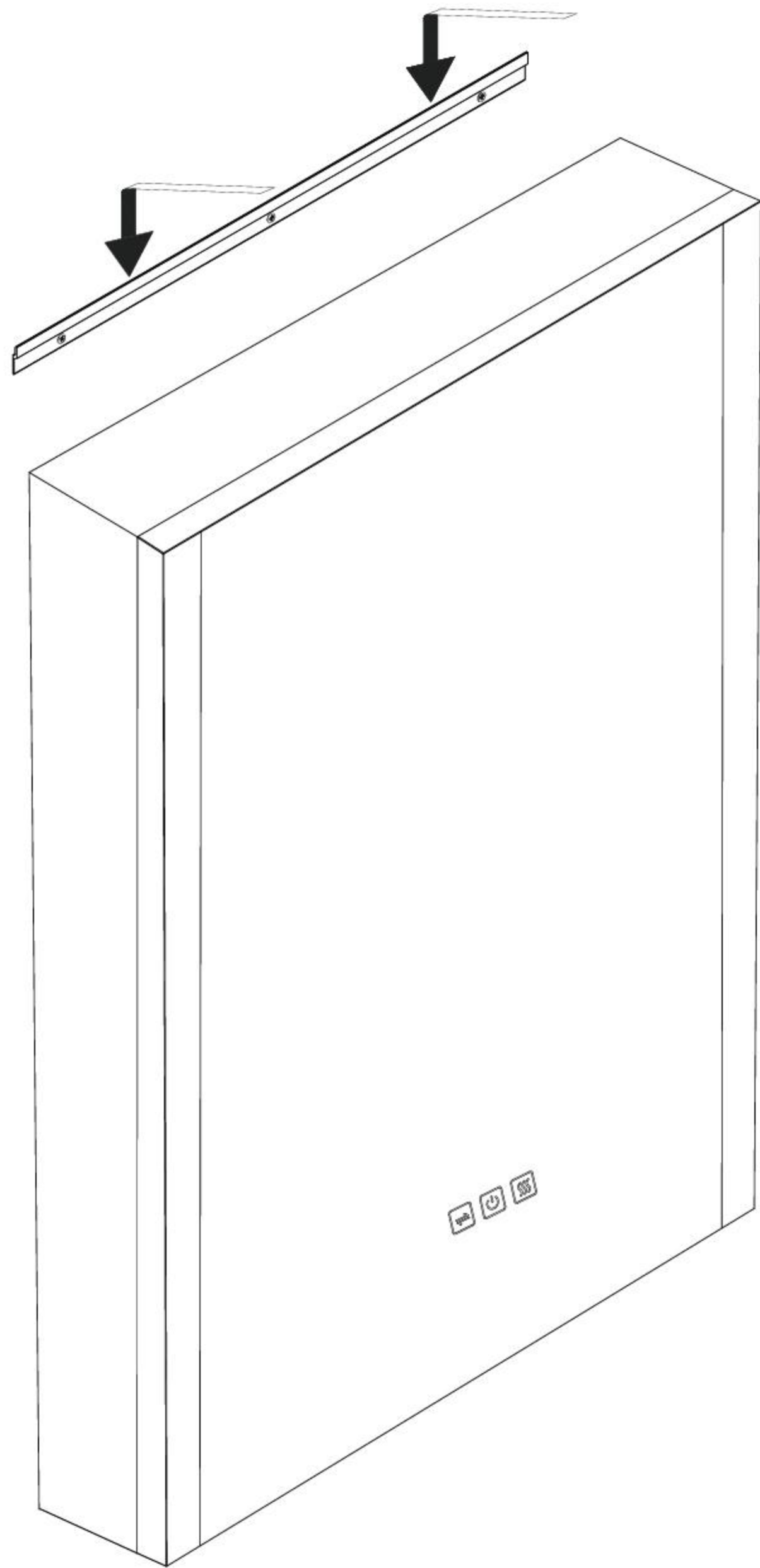
4 Please turn off all the power before the mirror cabinet wires connection.

Power Off

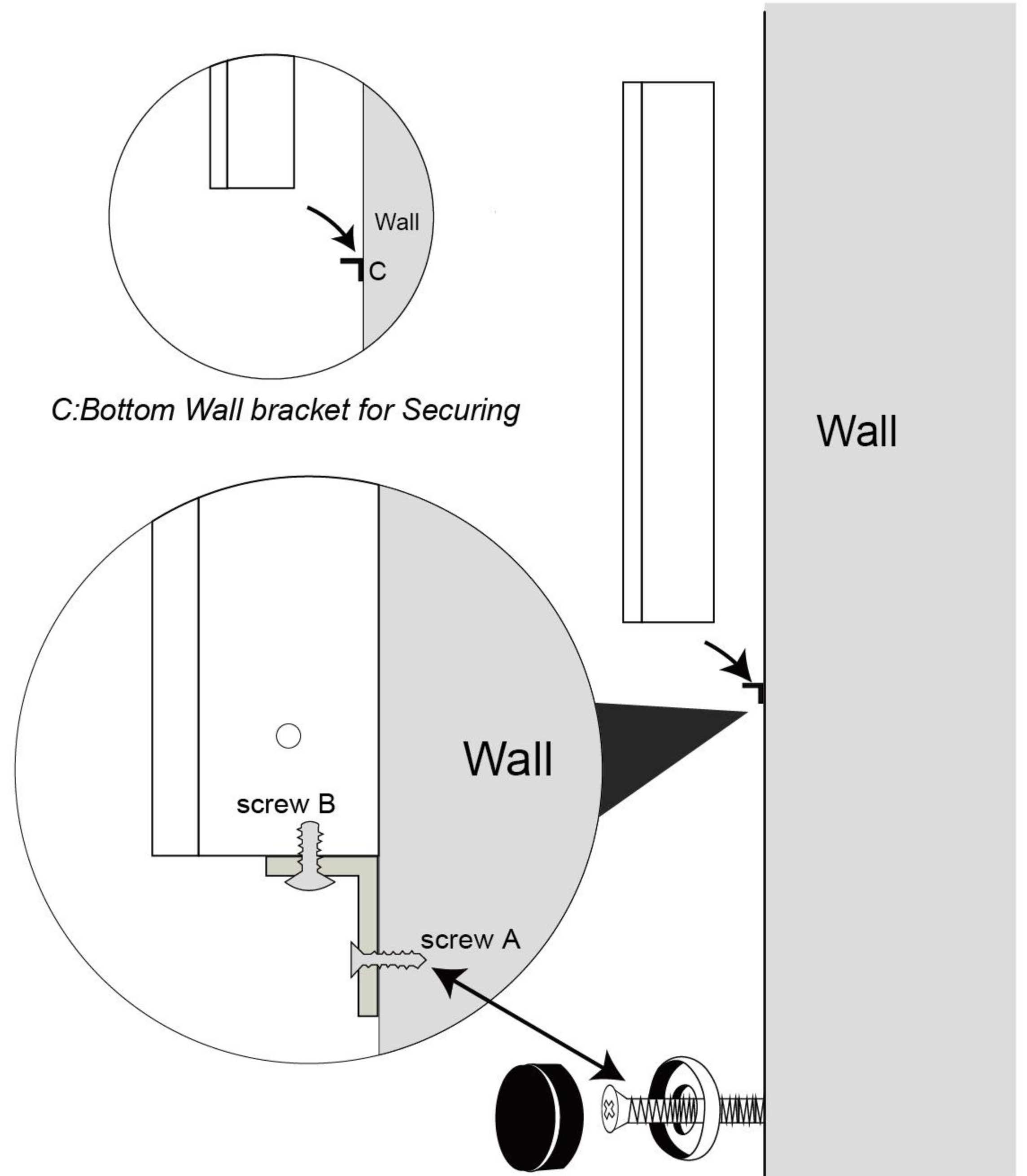


SURFACE-MOUNTED INSTALLATION

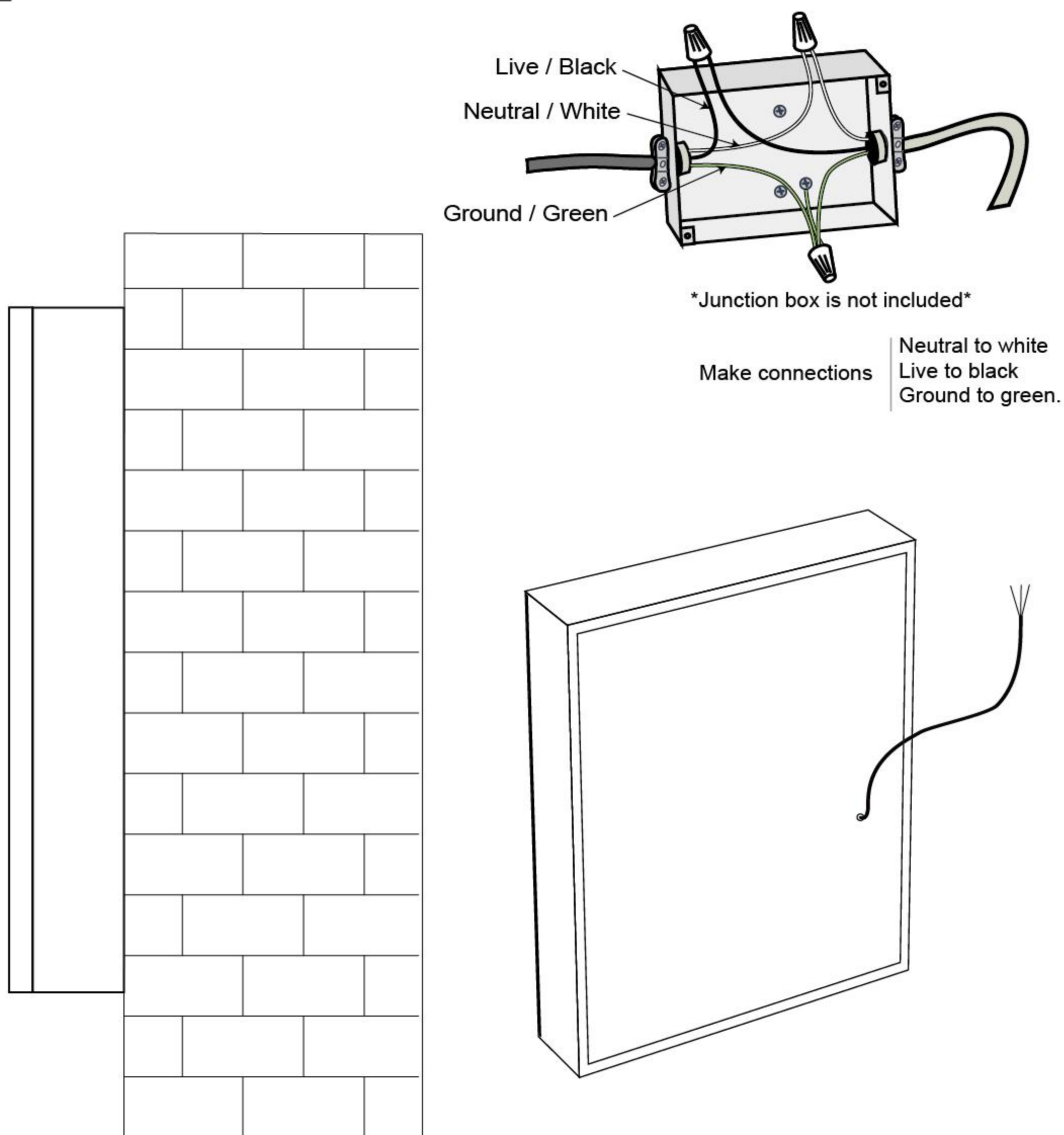
5 With assistance, to rest the cabinet on the mounting bar and hold in place.



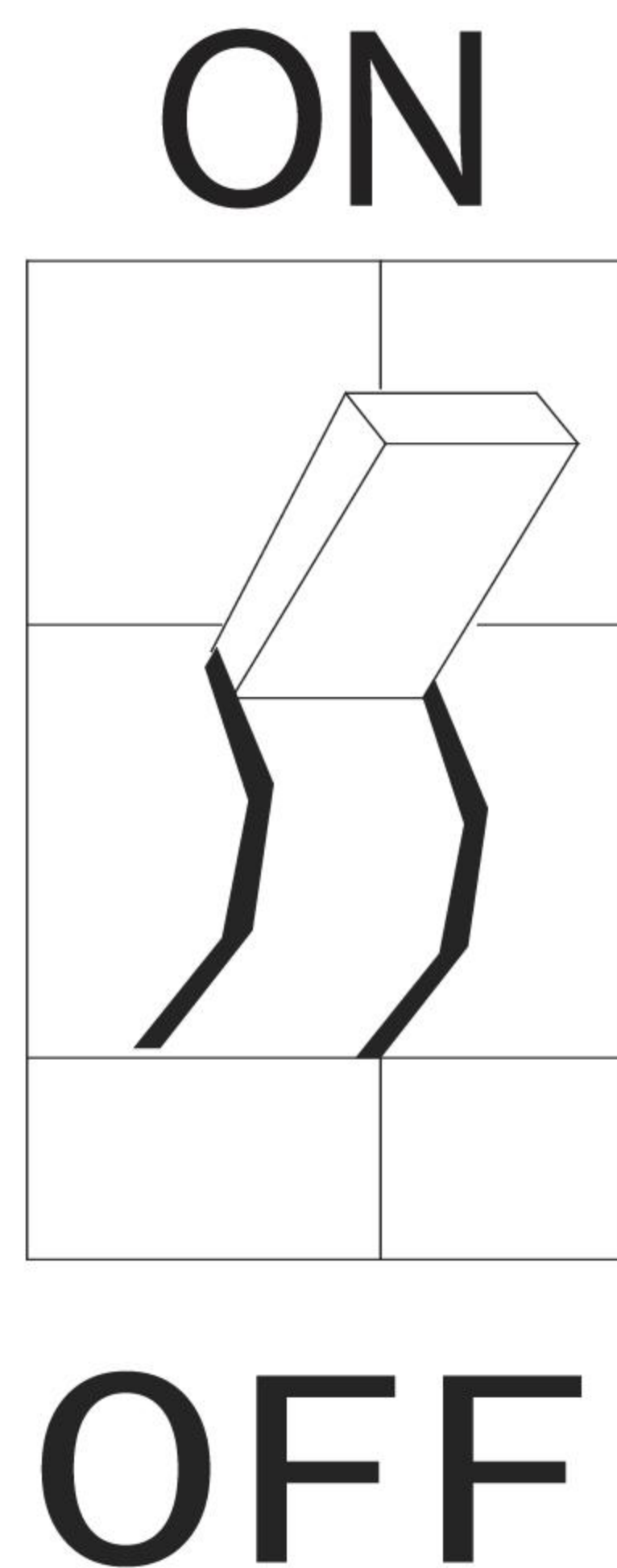
6 Install the bottom wall bracket to secure the mirror cabinet to the wall. Screw B is located on the bottom of the cabinet, while Screw A is positioned on the wall.



7 Wiring the power line.



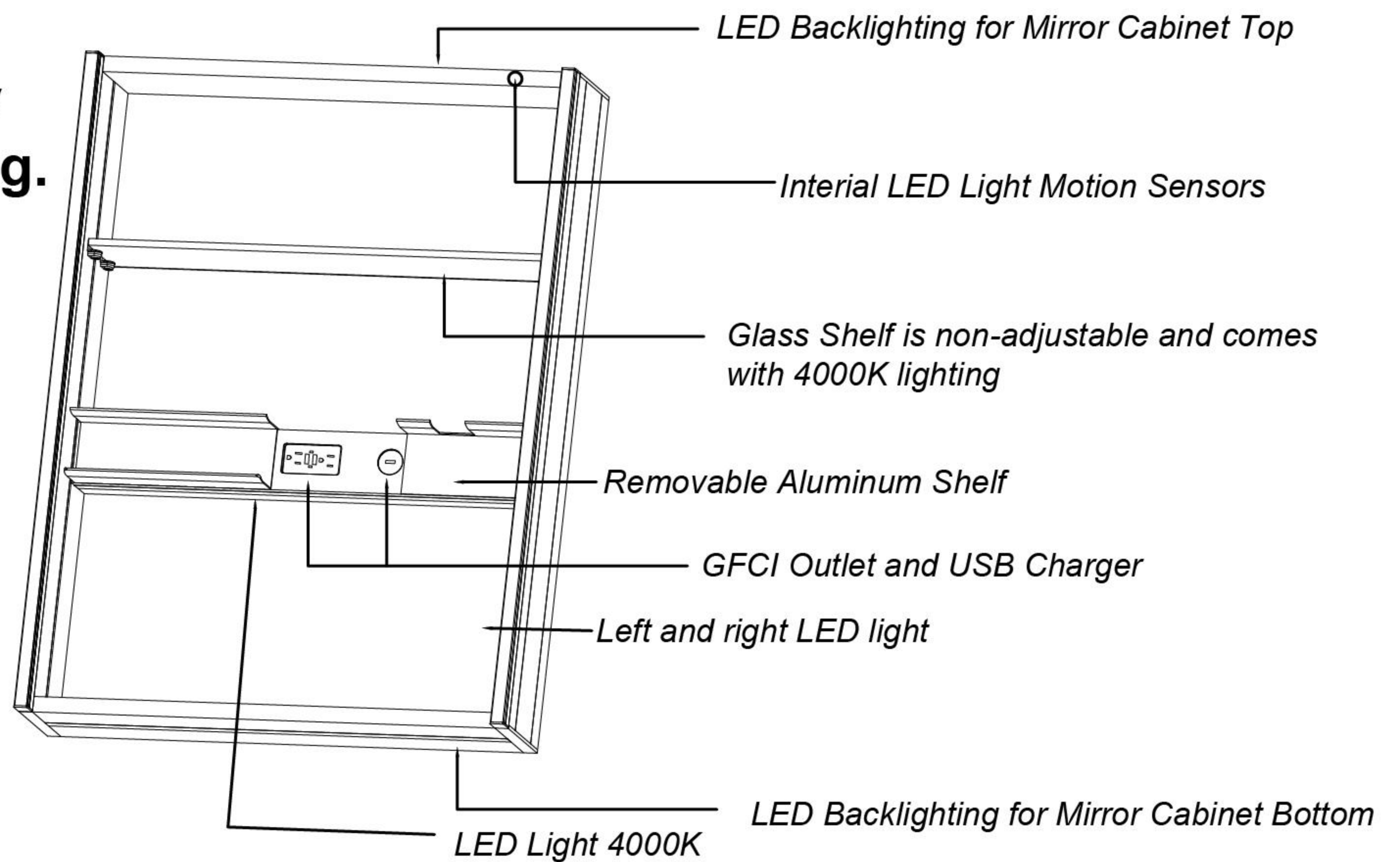
8 Hang up the mirror cabinet stable then turn on the power.



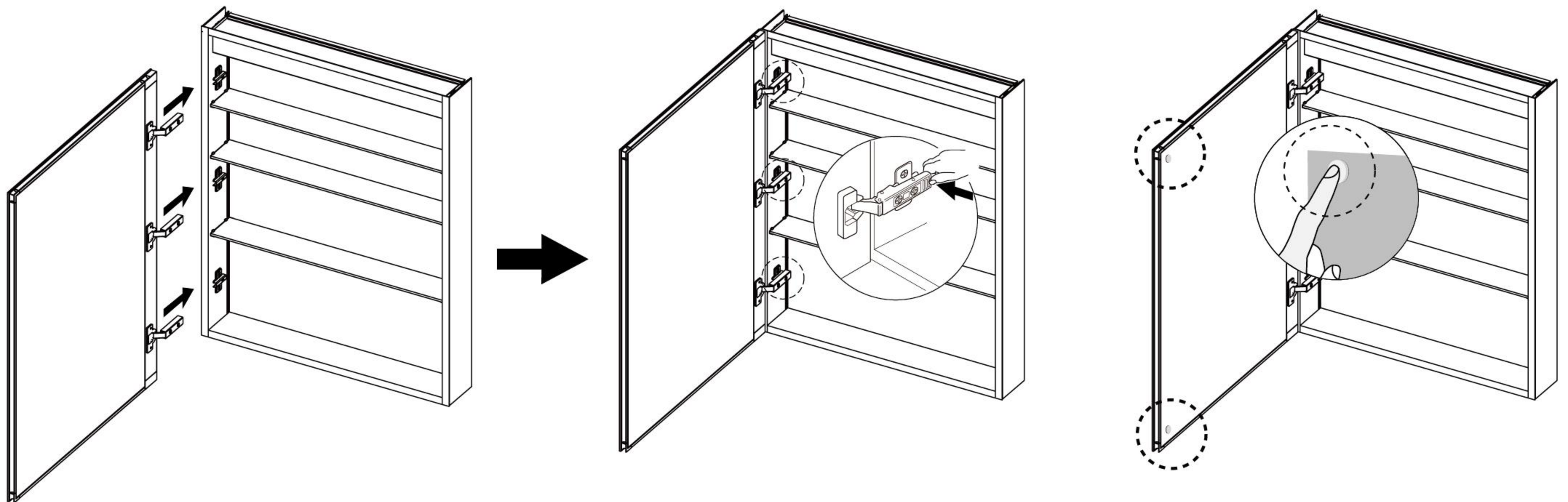
WARNING: Turn off the power before wire connection!

FUNCTIONAL DIAGRAM

*** This mirror cabinet can only be installed by wall mounting.**



MIRROR DOOR INSTALLATION



1. Slide the doors into place by pinching the end of the hinges.
2. Plug the door into the cabinet.

Press the end of the hinge to match the hinge seat

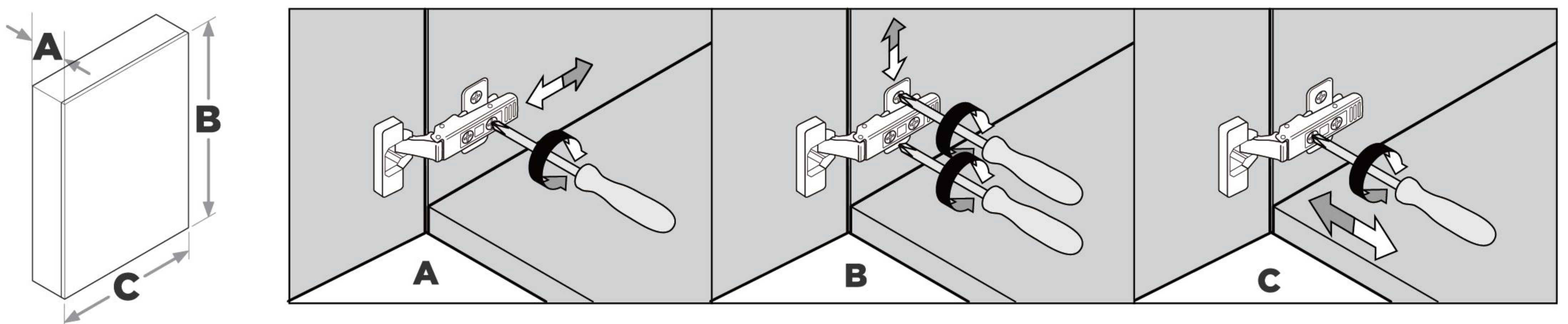
Installing cabinet door bumpers

Door Adjustment / Door Removal

OPTIONAL DOOR ADJUSTMENT

Doors may need to be adjusted after the initial shipping of the cabinet. The cabinet doors have a three-way adjustment feature. Height, side-to-side, level and depth can be adjusted. With the hinge slightly closed you can access the middle screw for up/down adjustment.

With the hinge fully extended you can access the front and back screws. These screws will move the door side to side and in and out.



TOUCH BUTTON AND OUTLET CHARGER

How to use Defogger Switch and Dimmer Switch :

Right Touch Sensor



Short touch to turn ON/OFF the defogger.

Middle Touch Sensor

Short touch to ON/OFF lighting.

Light brightness 5%-100% control by holding
Release the button when the light reaches the desired brightness.



“Switch” sign



Left Touch Sensor

Short touch to get the light temperature 6000K, 4000K and 3000K.



Long touch to adjust the light temperature from 6000K-3000K.

Release the button when the light reaches the desired color.

***Suggestion:** The mirror is equipped with memory function to preserve the previous brightness/color settings.

How to use Outlet and USB Charger :

This lighted medicine cabinet contains outlet and USB chargers.

1. Outlet Charger is 15Amp 110V AC to power shavers, or toothbrushes, but do not use it for Hair dryer, it may blow a circuit.
2. USB ports provide 4.2Amp 5V DC for charging purpose only, not for data transfer.

***Suggestion:** Turn off the mirror power supply if you don't use it for a long time.

*The design of touch switch may vary, and subject to change without prior notice.

USE AND MAINTENANCE

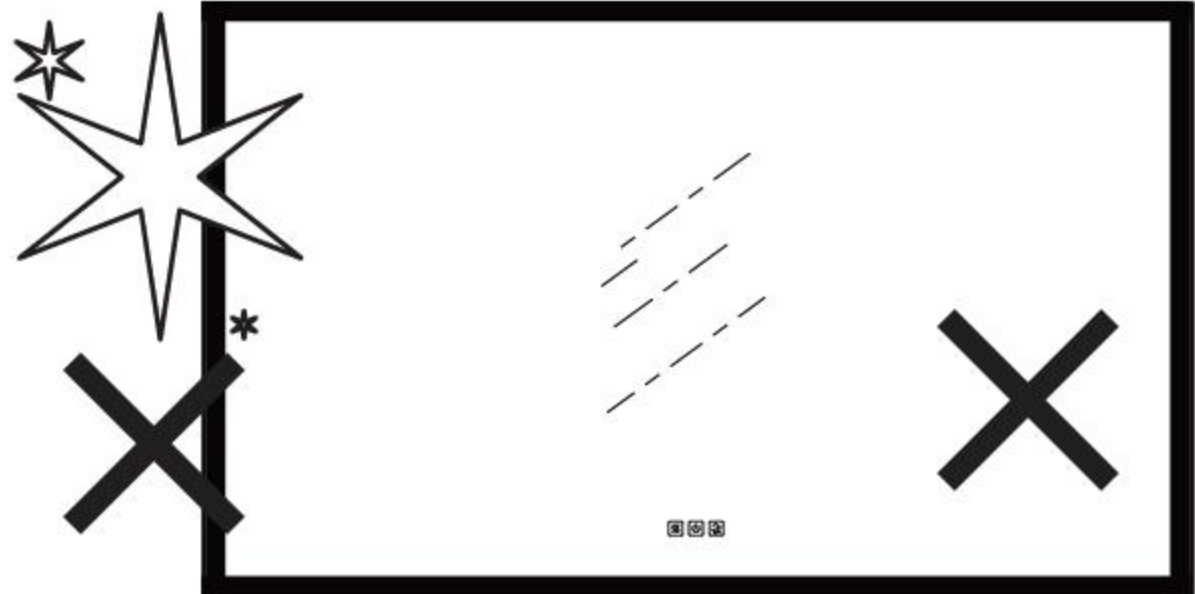
WARNINGS:

1. Please do not use if you found the mirror cabinet has been broken.
2. Never put any sharp or heavy material on the mirror surface, other wise the glass mirror will be broken and body injury accidents may occur .
3. Turn off the power switch in storm lightning weather to avoid electric parts damage.

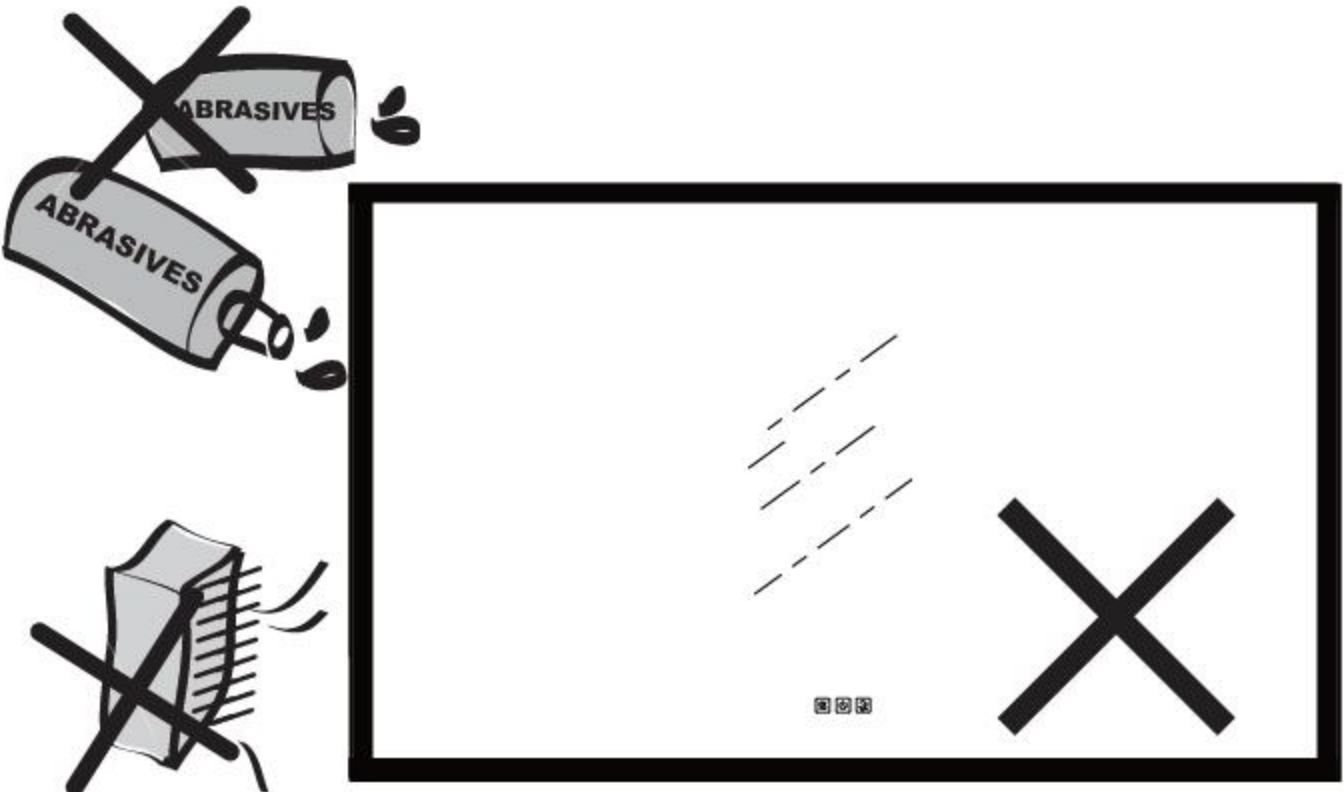
Use and Maintenance:

CAUTION:

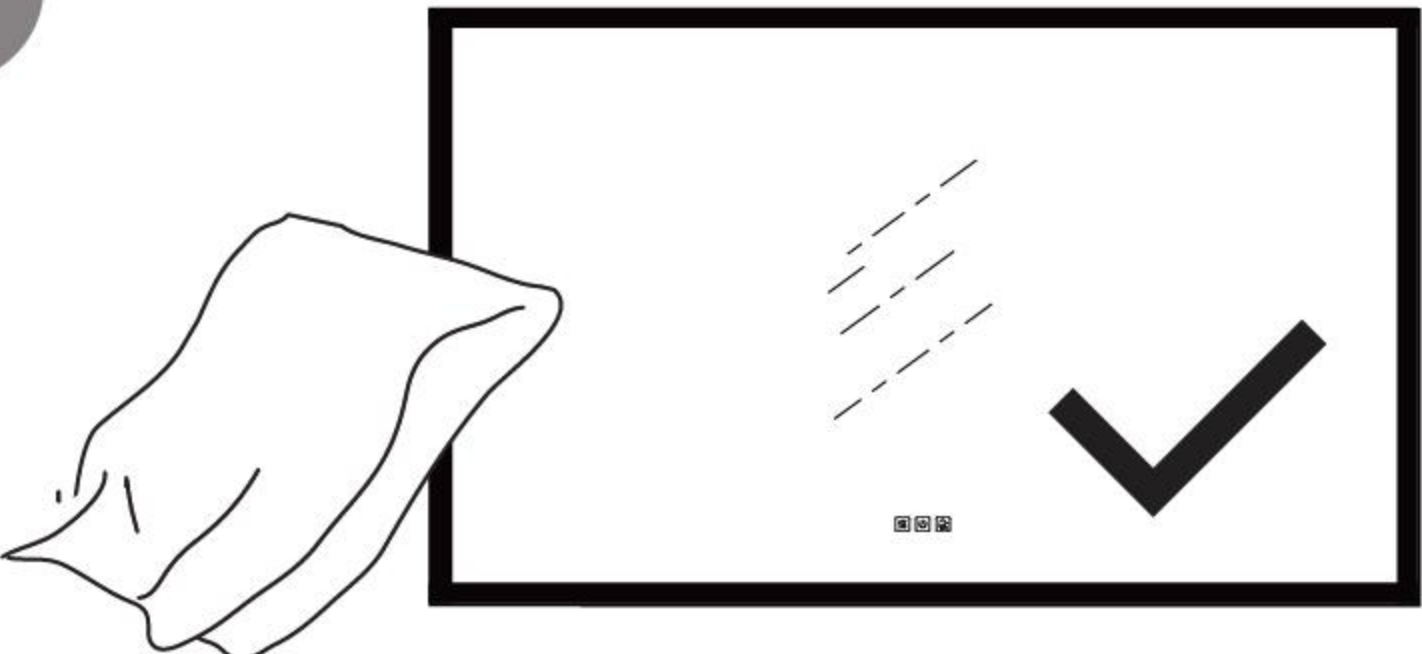
● USE

<p>1</p> 	<p>1. To avoid damage, do NOT knock the mirror cabinet with any hard objects;</p>
---	---

● CLEANING

<p>2</p> 	<p>2. Do NOT clean the mirror cabinet with caustic cleaner. Do NOT wipe the mirror cabinet with Bristle brush;</p>
---	--

● MAINTENANCE

<p>3</p> 	<p>3. For daily maintenance, please use soft cloth and mild cleaner to clean the mirror cabinet.</p>
---	--

LIMITED WARRANTY

LIMITED WARRANTY TWO YEARS TERM:

WELLFOR® warrants to the original purchaser that, it will, at its election repair, replace, or make appropriate adjustment to products made by this company shown to have significant defects in material or workmanship which are reported to WELLFOR® in writing within two (2) years from the date of delivery. WELLFOR® is not responsible for installation costs. The warranty is void in the event the product is damaged in transit, or if damage or failure is caused by abuse, misuse, abnormal usage, faulty installation, damage in an accident, improper maintenance, or any repairs other than those authorized by WELLFOR®. At the expiration of the two years warranty period, WELLFOR® shall be under no further obligation under any warranty, expressed or implied, including the implied warranty of merchantability. WELLFOR® shall not be liable for any consequential damages arising out of or in connection with the use or performance of its products. Some states do not allow limitations on how long an implied warranty lasts or do not allow the exclusion or limitation of incidental or consequential damages, so the above limitation or exclusion may not apply to you. Any liability against WELLFOR® under any implied warranty, including the warranty of merchantability, is expressly limited to the terms of this warranty. Permission to return any merchandise under this warranty must be authorized by WELLFOR® and returned prepaid by the purchaser. Claims under this warranty should be sent directly to your dealer.

For customer support please call 206.809.0093 weekdays 9:00 to 6:00 PST, or by email: service@wellfor.com.

For more information: www.wellfor.com