

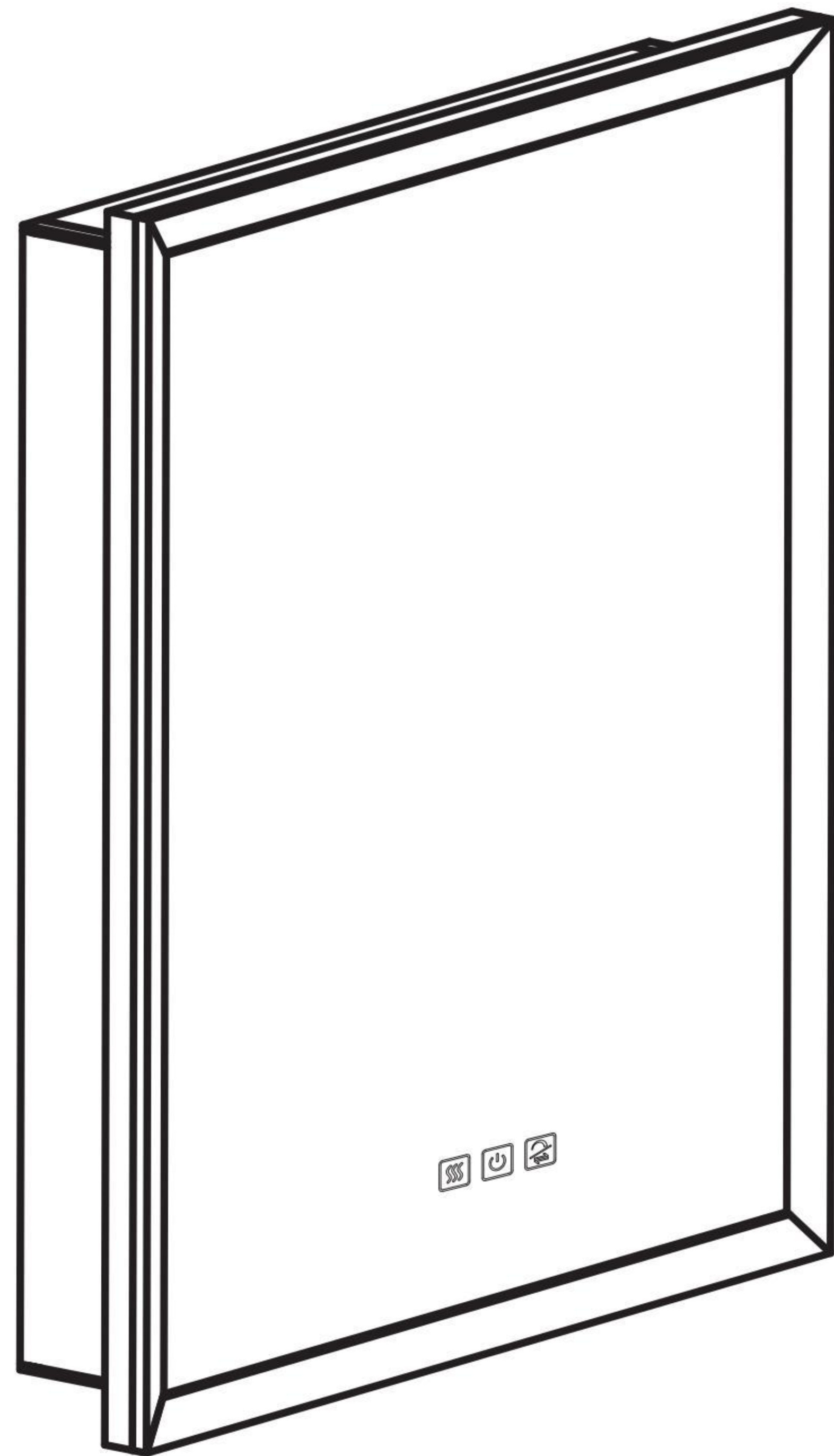
## INSTALLATION

AURORA-W13MCL2432(L/R)/3032/3632/4832

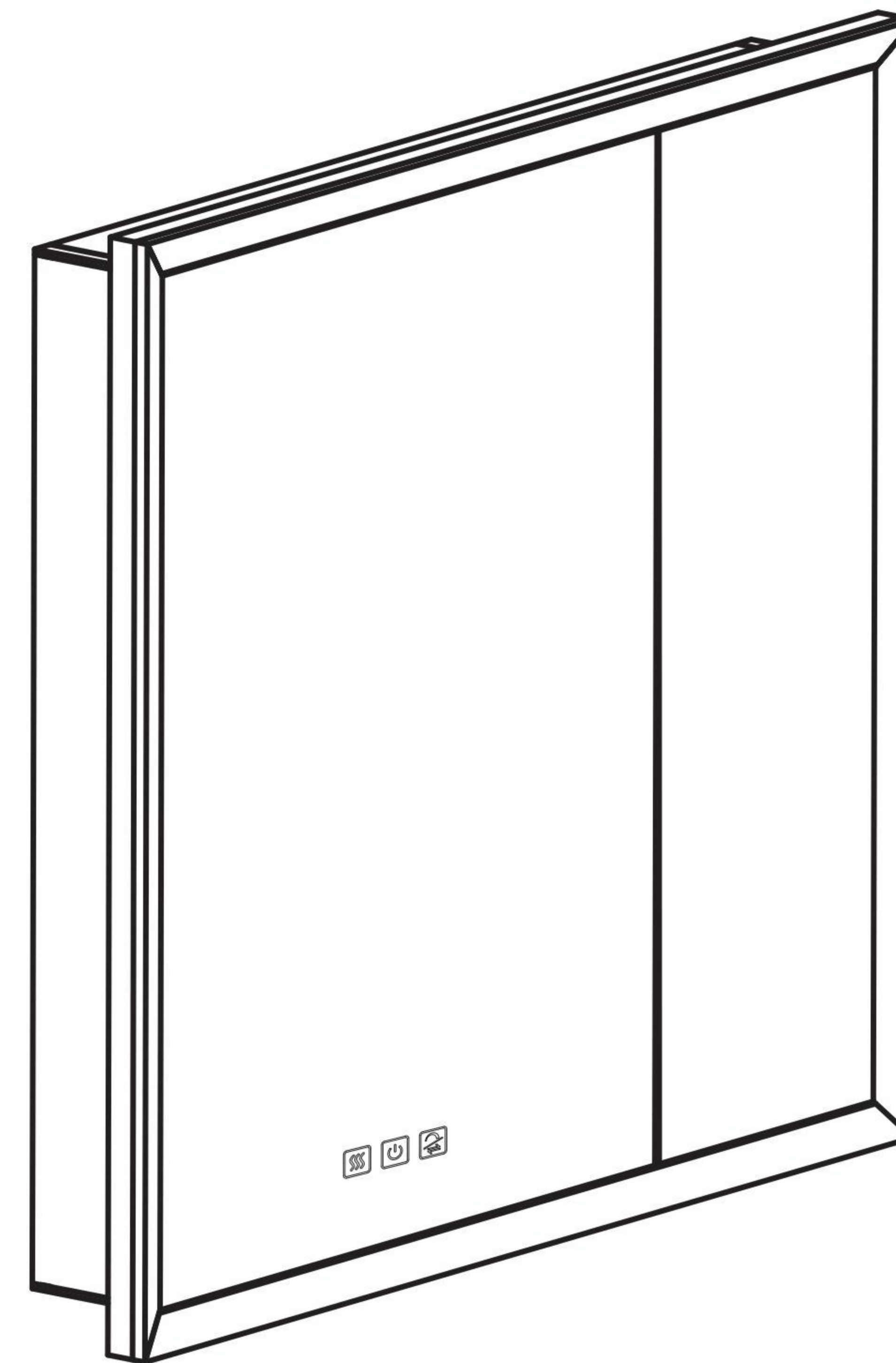
# LIGHTED MEDICINE CABINET Lighting and Defogger

## PRODUCT SERIES INFORMATION

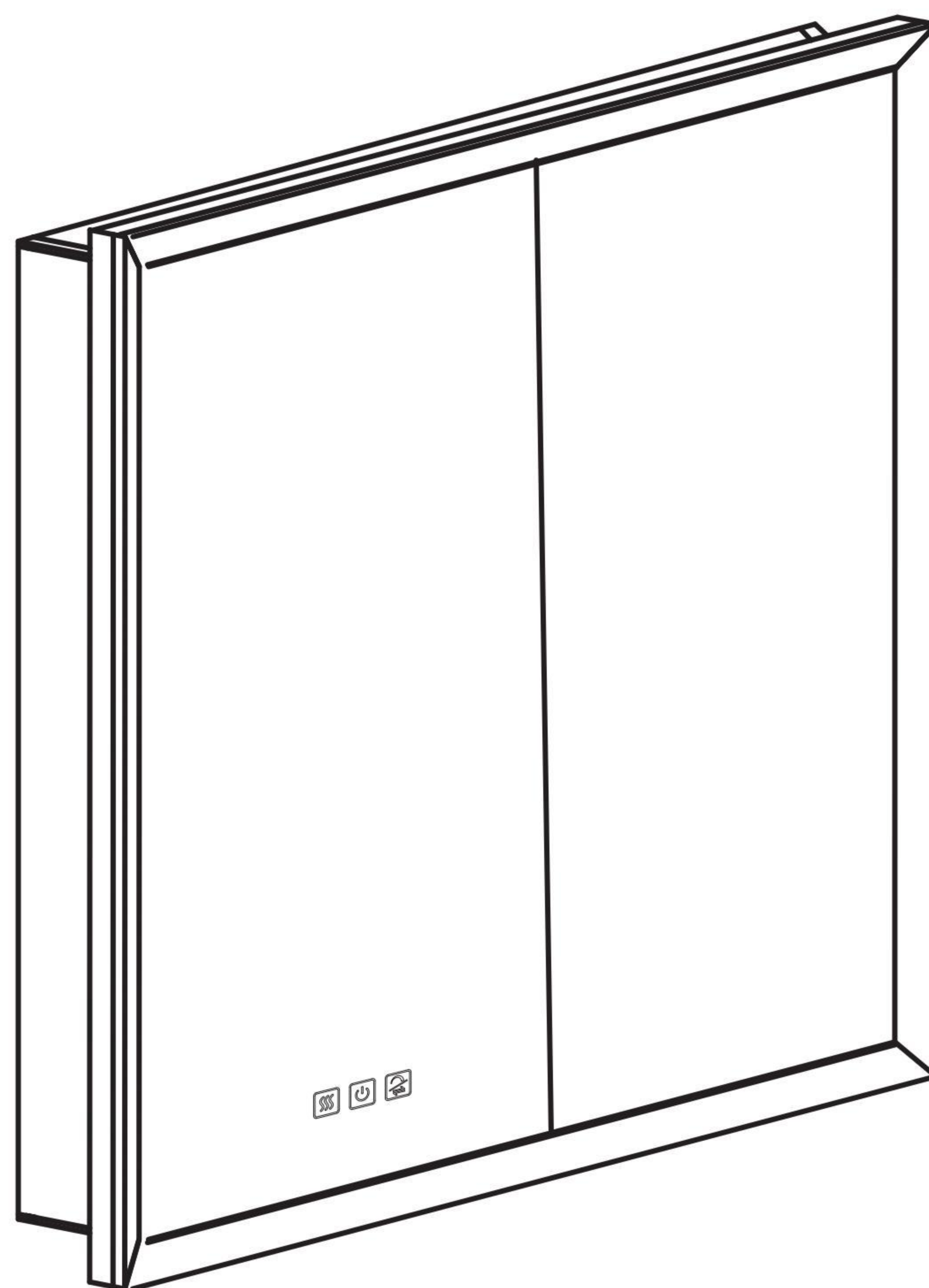
### AURORA:



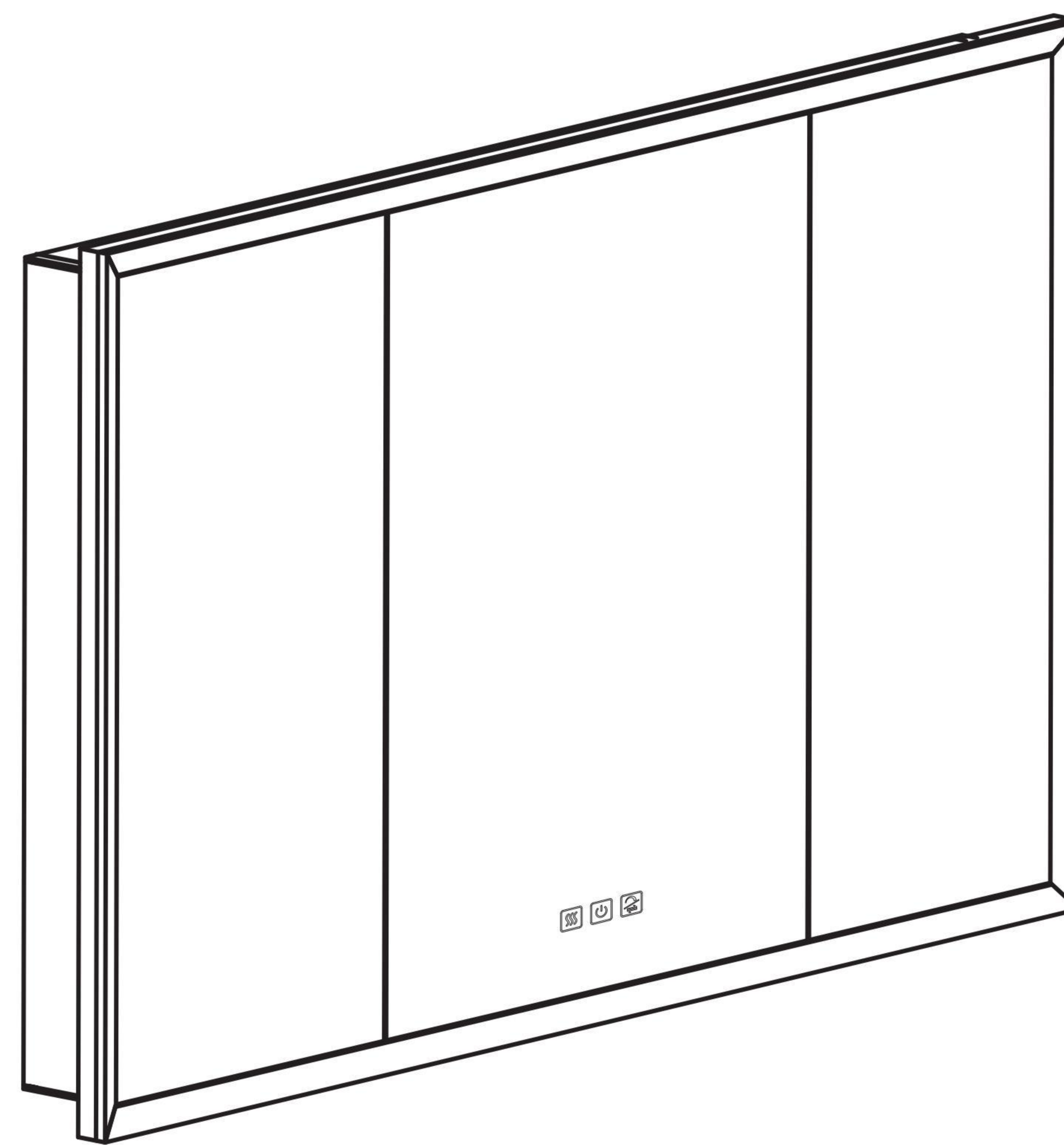
**24"**  
W13MCL2432(L/R)



**30"**  
W13MCL3032

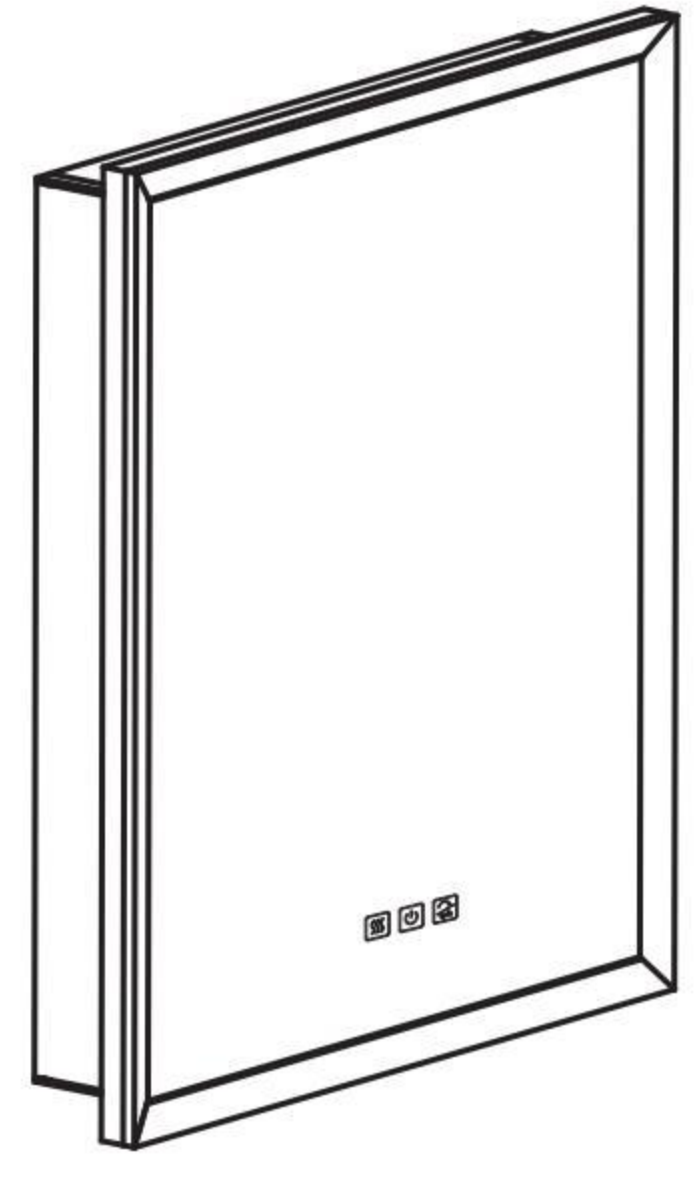


**36"**  
W13MCL3632



**48"**  
W13MCL4832

**\*WARNING:** Do not remove corner proctors & paper cushions, please remove after installation. Please retain the cabinet accessories during the installation process for future needs, for example, screws, nuts, cap and other similar components. Requires three(3) person in installation.



AURORA-W13MCL2432(L/R)/3032/3632/4832

**INSTALLATION**

# **LIGHTED MEDICINE CABINET** Lighting and Defogger

## **IMPORTANT SAFETY INSTRUCTIONS**

When using an electrical furnishing, basic precautions should always be followed, Requires three(3) person in installation.



### **DANGER**

**READ AND FOLLOW ALL INSTRUCTIONS BEFORE USING THIS MIRROR CABINET**



### **WARNING**

To reduce the risk of burns, fire, electric shock or injury to persons. Use this furnishing only for its intended use as described in these instructions. Do not use attachments not recommended by the manufacturer. Never drop or insert any object into any opening. Do not use outdoors.



### **WARNING**

Risk of electric shock. Connect this furnishing to a properly grounded circuit only. See Grounding instructions.

## **GROUNDING INSTRUCTIONS:**



### **WARNING**

This product must be connected to a grounded metal, permanent wiring system, or an equipment-grounding conductor must be run with the circuit conductors and connected to the equipment-grounding terminal or lead on the product.

An Electrical option cabinet must be wired to a 20 Amp GFI (Ground Fault Interrupter) protected circuit when used in bathrooms and all other locations required by the National Electric Code.

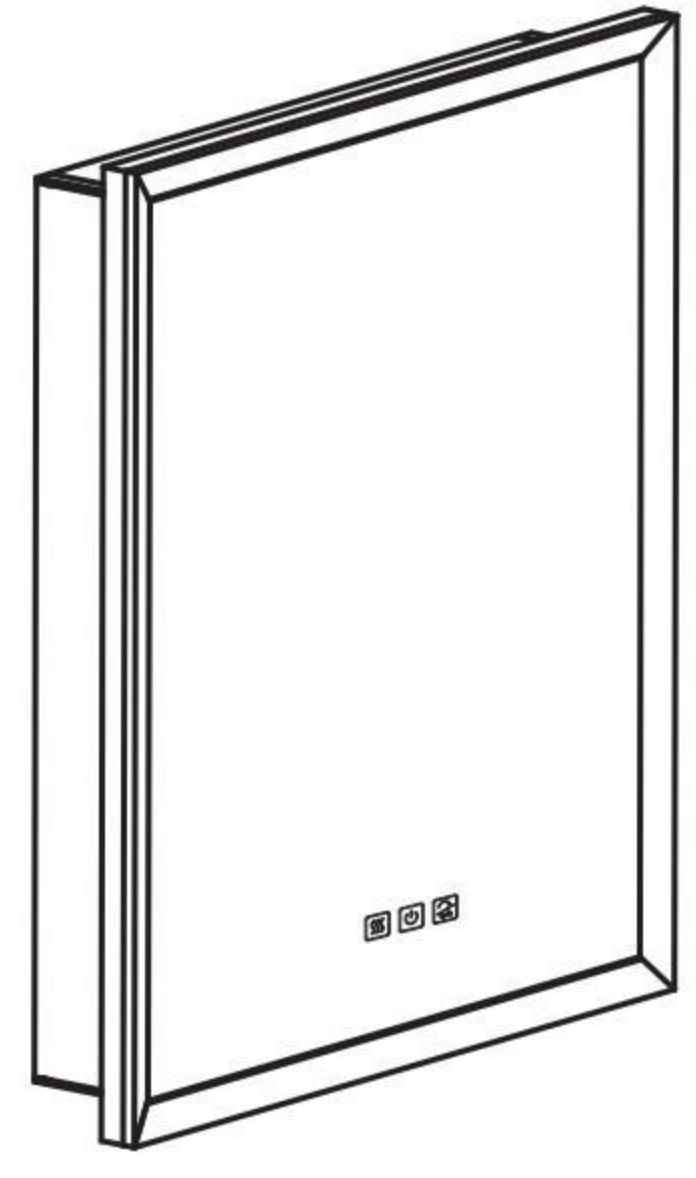
---

**NOTE:** To ensure the normal use of product, it is required to set out wires as per the regulations of IEE. The product is only applicable to the indoor installation. The installation must be executed by a professional electrician, wrong installation may lead to product damage and personal injury.

---

PLEASE SAVE THESE INSTRUCTIONS FOR FUTURE REFERENCE

ALL RIGHTS RESERVED



AURORA-W13MCL2432(L/R)/3032/3632/4832

## INSTALLATION

# LIGHTED MEDICINE CABINET Lighting and Defogger

## ELECTRIC CONNECTIONS

**ALL WIRING SHOULD BE DONE BY A QUALIFIED LICENCED ELECTRICIAN**



**WARNING:** Shut off power before wiring the mirror.



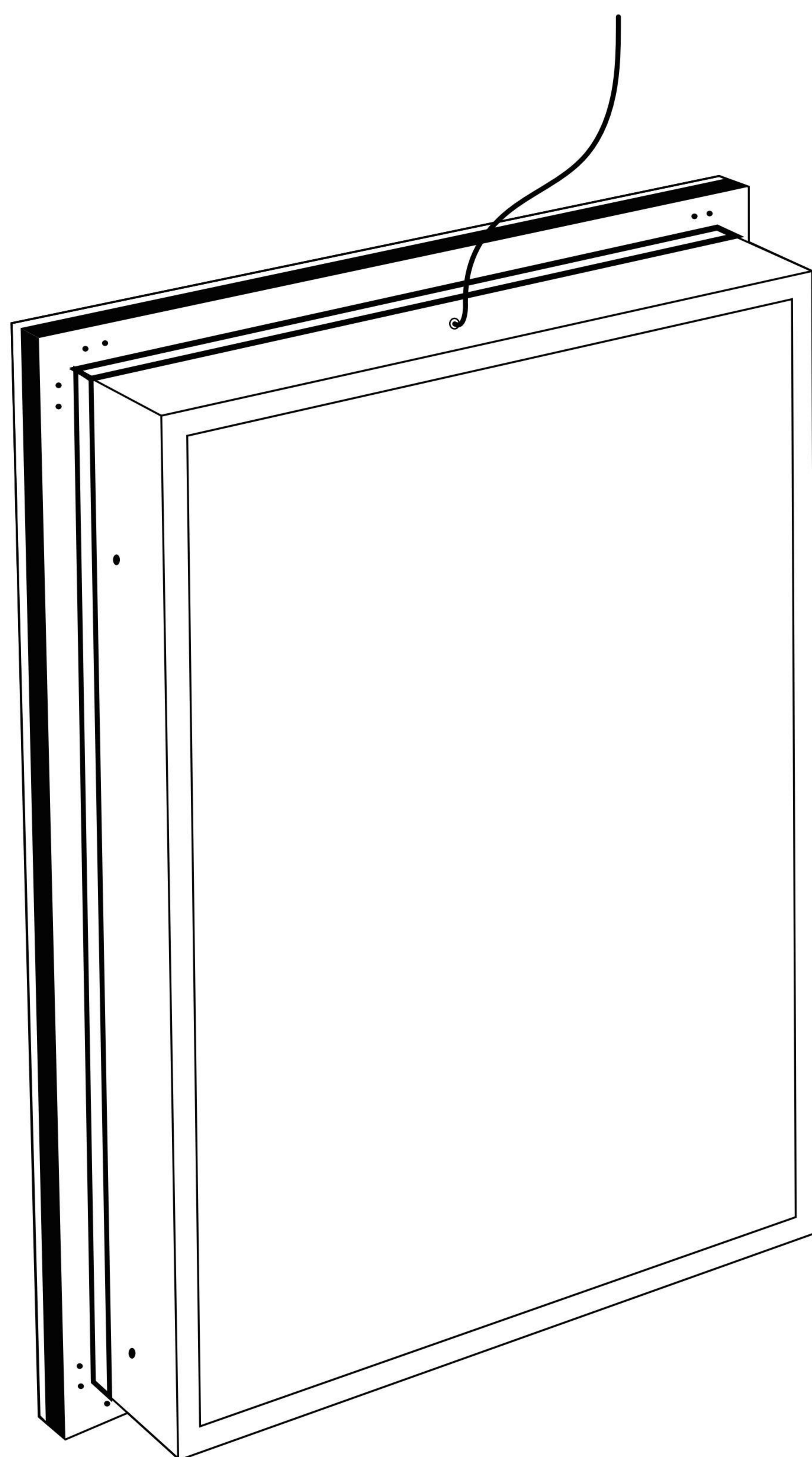
**WARNING:** An Electrical option mirror must be wired to a 20 Amp GFI (Ground Fault Interrupter) protected circuit when used in bathrooms and all other locations required by the National Electric Code.



**WARNING:** This mirror must be connected to a grounded, metal permanent wiring system or an equipment-grounding conductor must be run with the circuit conductors and connected to the equipment grounding terminal or lead on the mirror.

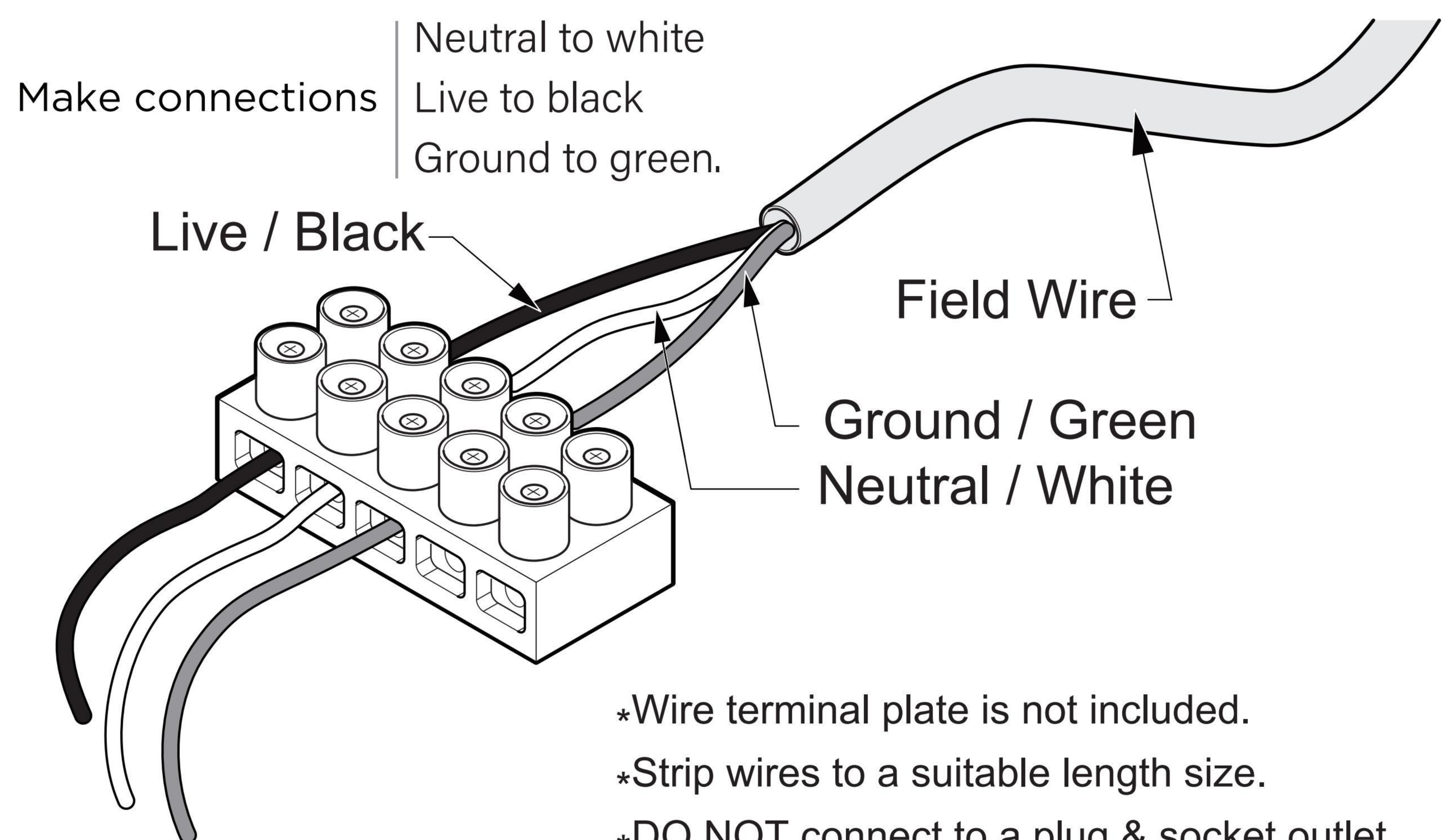


**CAUTION:** Requires 120 VAC 20 Amp GFI protected circuit.



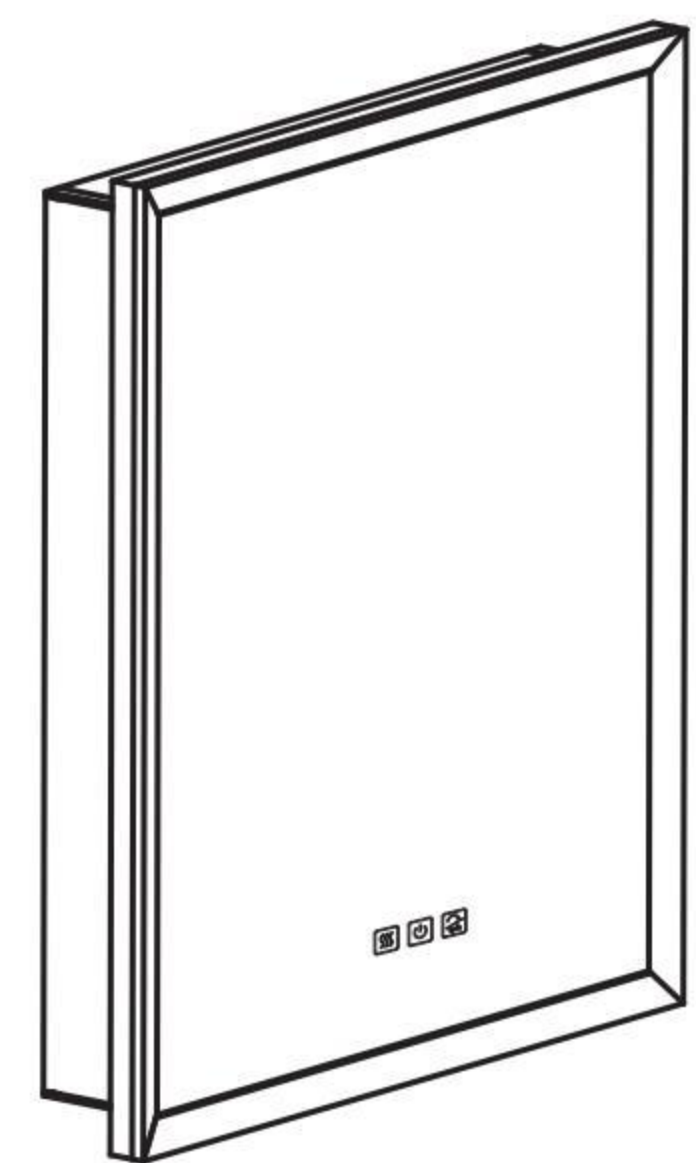
**Electric wiring:** Be sure to provide enough wire to make the proper and safe connection to the Field/Power.

### WIRING DIAGRAM



### MIRROR FEATURES

- Copper free silver mirror
- High output LED lighting:  
CRI 90+, 3000-6000K CCT, IP44
- Color Temperature changing
- Light Brighness changing
- Recess mount or wall surface mount
- Defogger

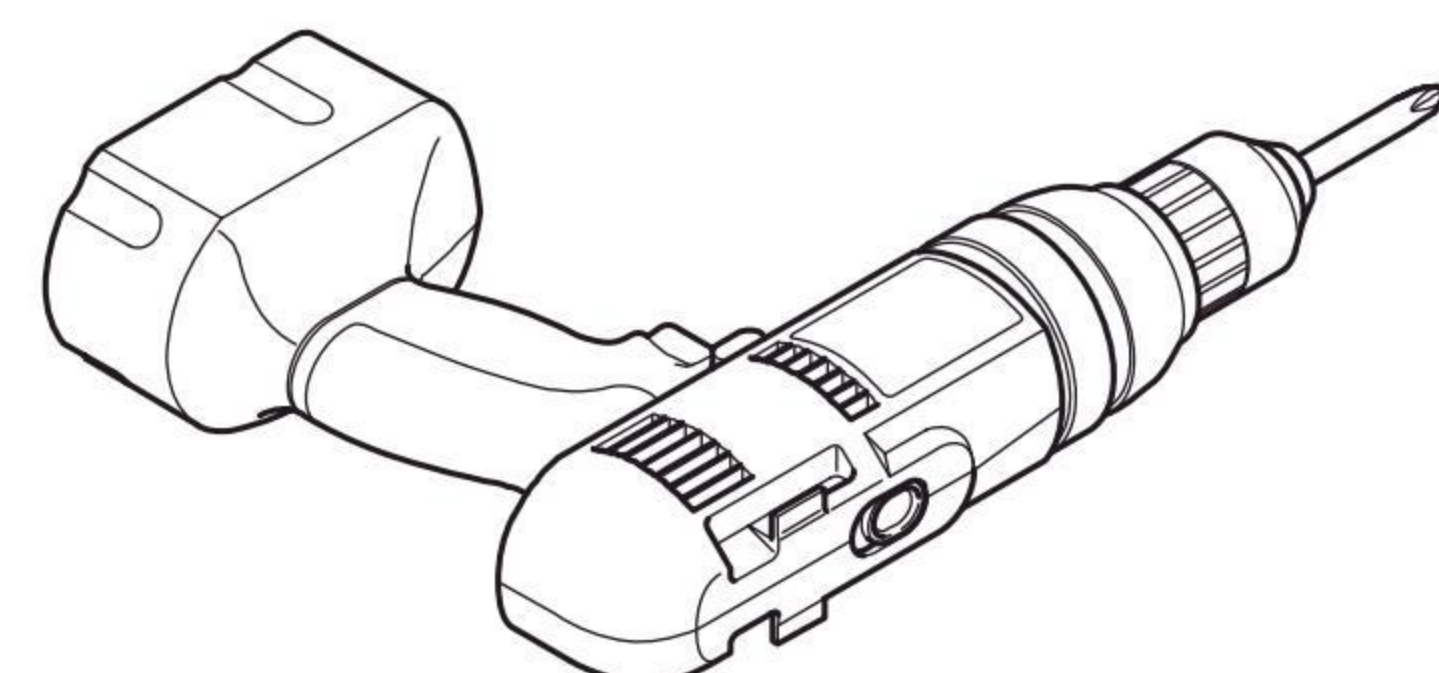


AURORA-W13MCL2432(L/R)/3032/3632/4832

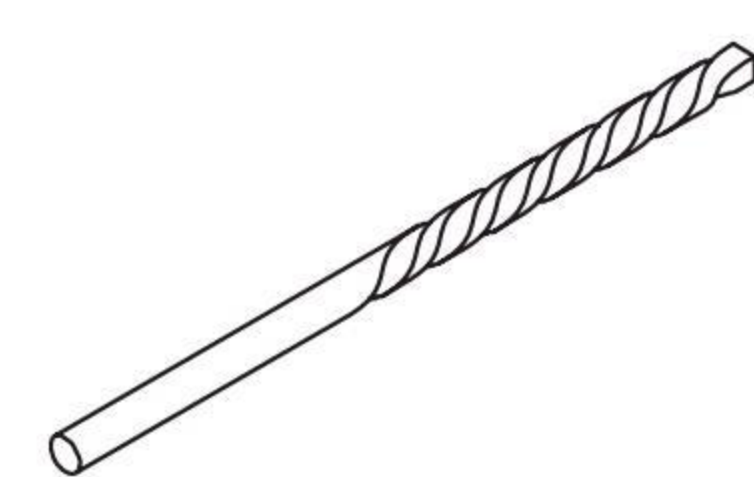
# INSTALLATION

## LIGHTED MEDICINE CABINET Lighting and Defogger

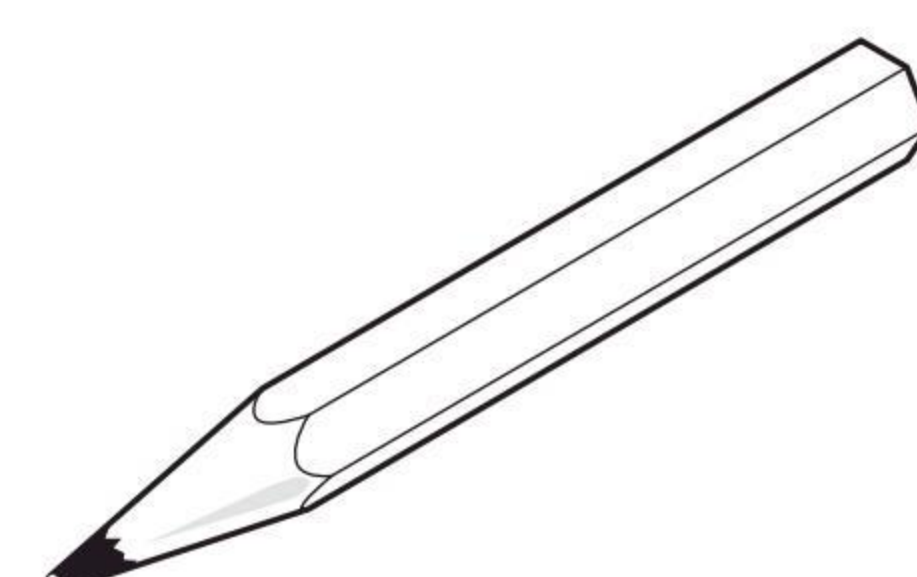
### TOOLS REQUIRED FOR ASSEMBLY



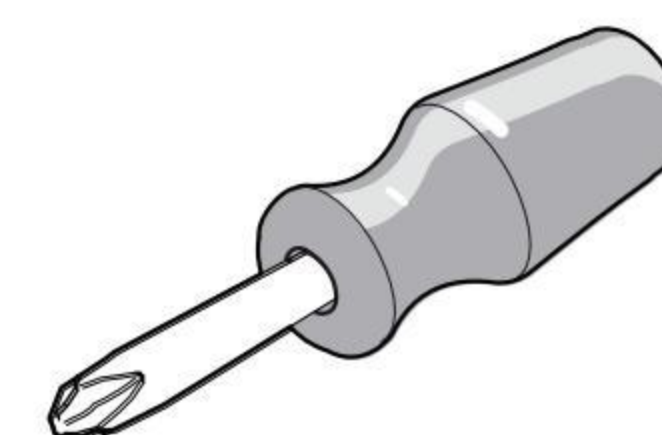
Electrical Drill



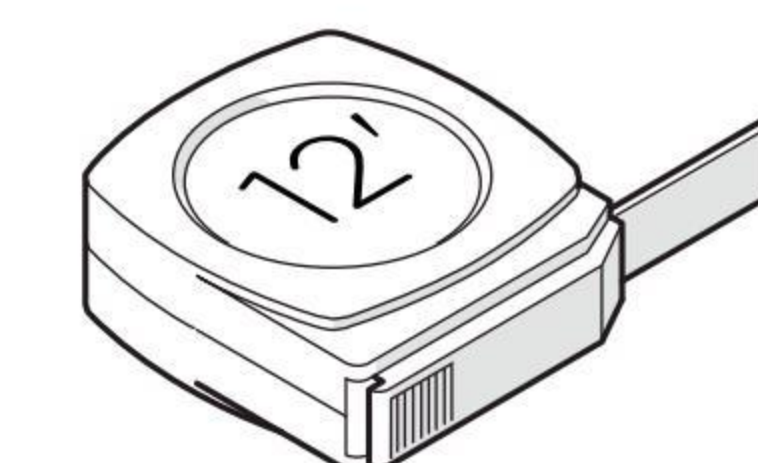
1/8" Drill Bit



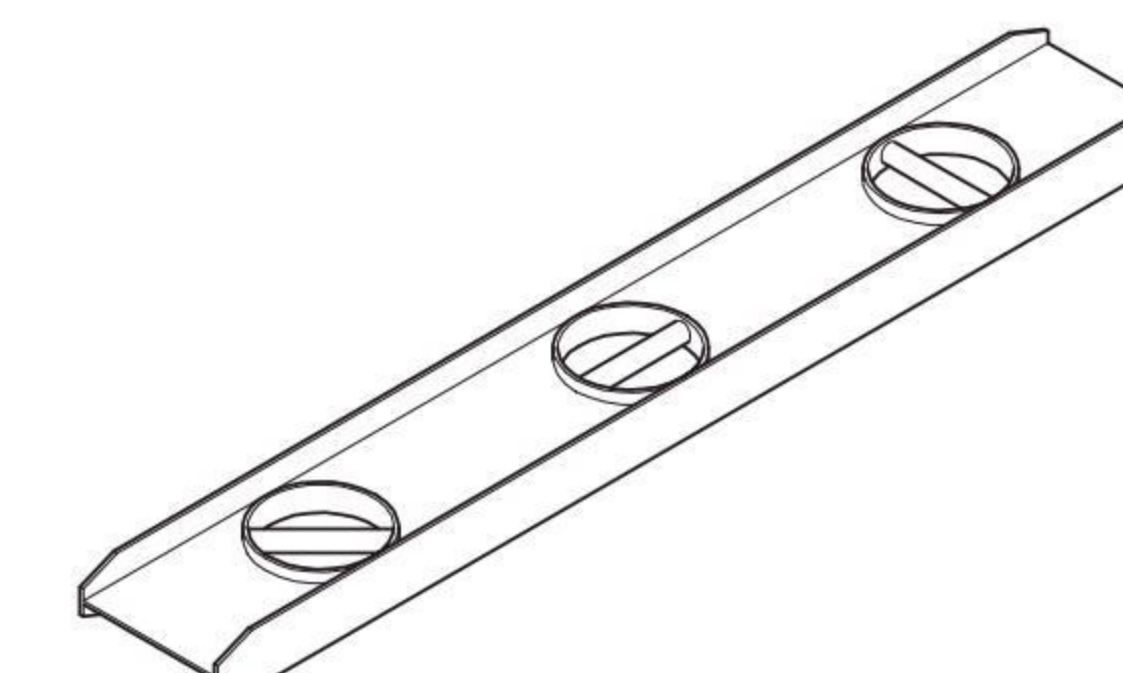
Pencil



Phillips  
Screwdriver

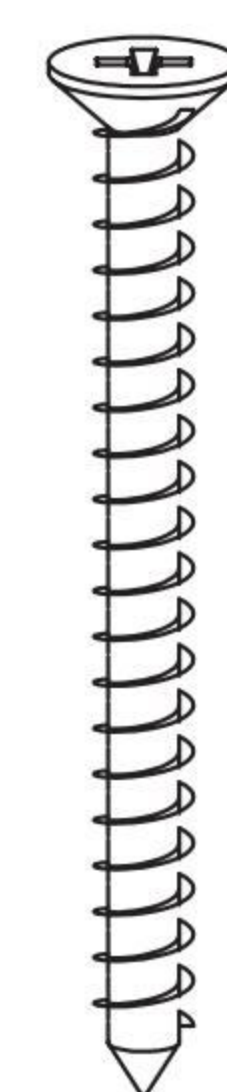


Tape Measure

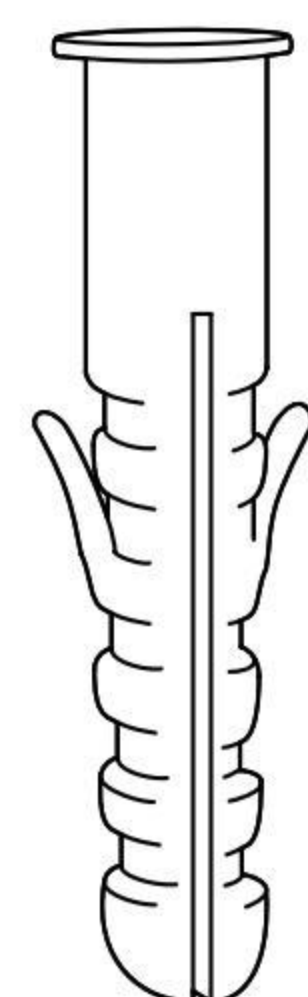


Level

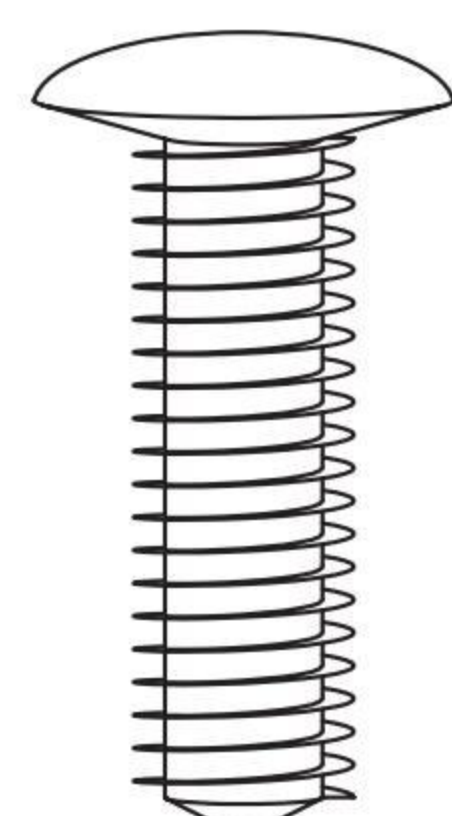
### PARTS INCLUDED



SCREW  
(A)



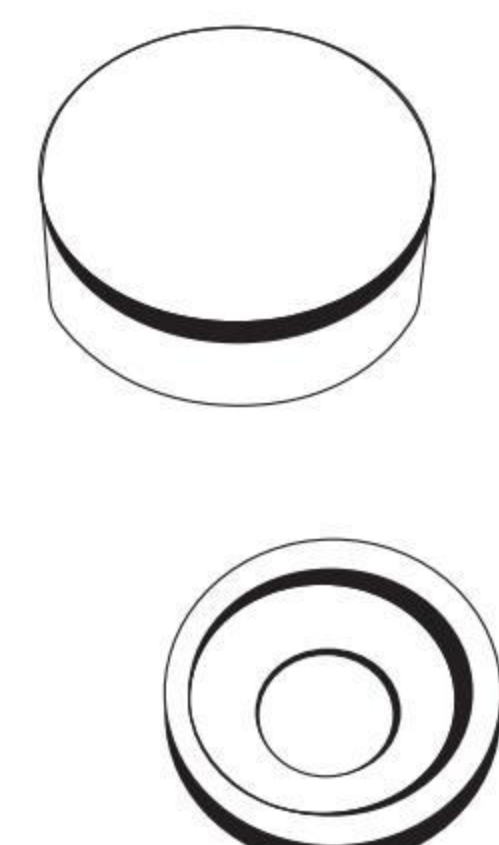
WALL  
PLUG



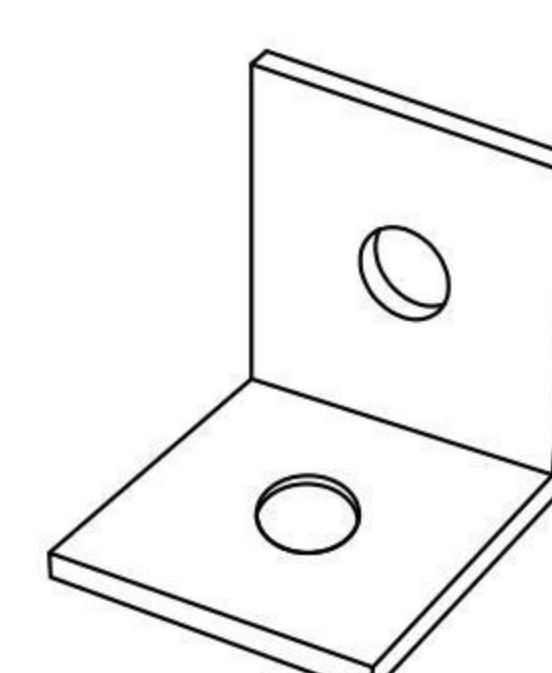
SCREW  
(B)



TOP  
MOUNTING  
BAR



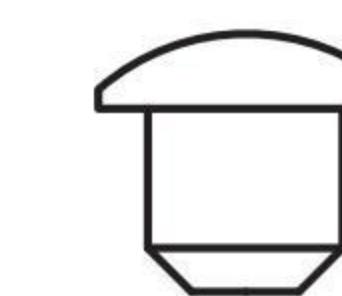
SCREW CAP  
AND COVER



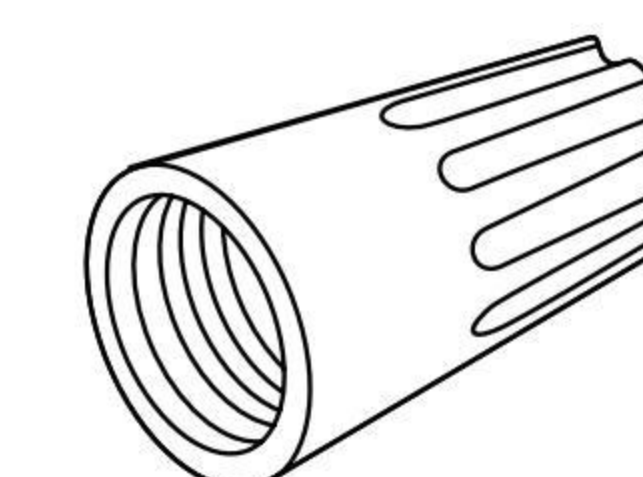
BOTTOM WALL BRACKET  
FOR SECURING (C)



CABINET DOOR  
BUMBERS



SHELF HOLE  
PLUG



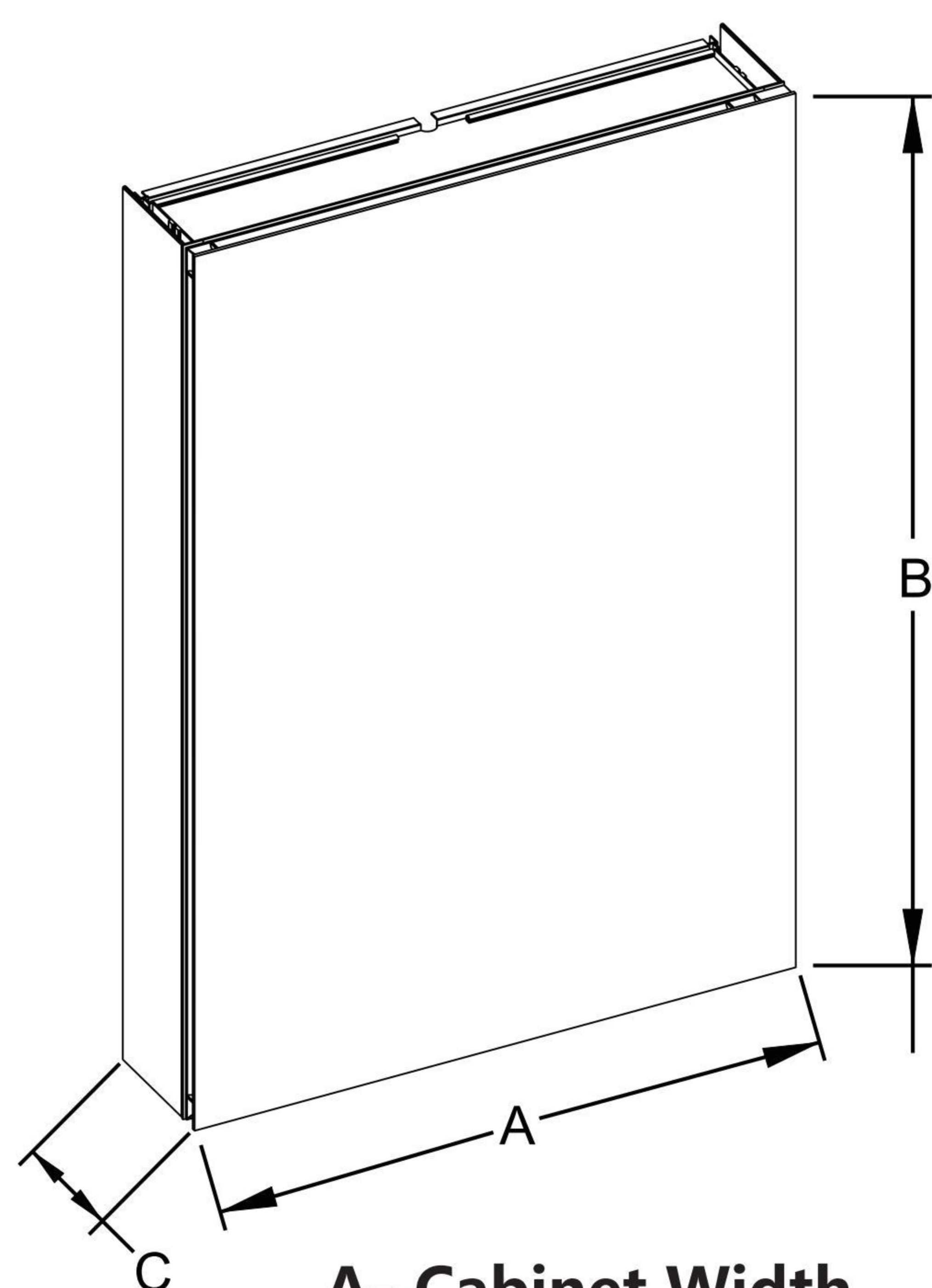
WIRE  
CONNECTOR



**NOTE:** Determine overall mirror dimensions before installation.  
Requires three(3) person in installation.

\*Accessories and parts may vary from the picture above. Depends on the product model and size.\*

### DIMENSIONS



**A- Cabinet Width**  
**B- Cabinet Height**  
**C- Cabinet Depth**

Model Number	Item	A	B	C	Rough in size
W13MCL2432(L/R)		24"	32"	5-1/2"	21-5/8"x29-5/8"x3-3/4"
W13MCL3032		30"	32"	5-1/2"	27-5/8"x29-5/8"x3-3/4"
W13MCL3632		36"	32"	5-1/2"	33-5/8"x29-5/8"x3-3/4"
W13MCL4832		48"	32"	5-1/2"	45-5/8"x29-5/8"x3-3/4"

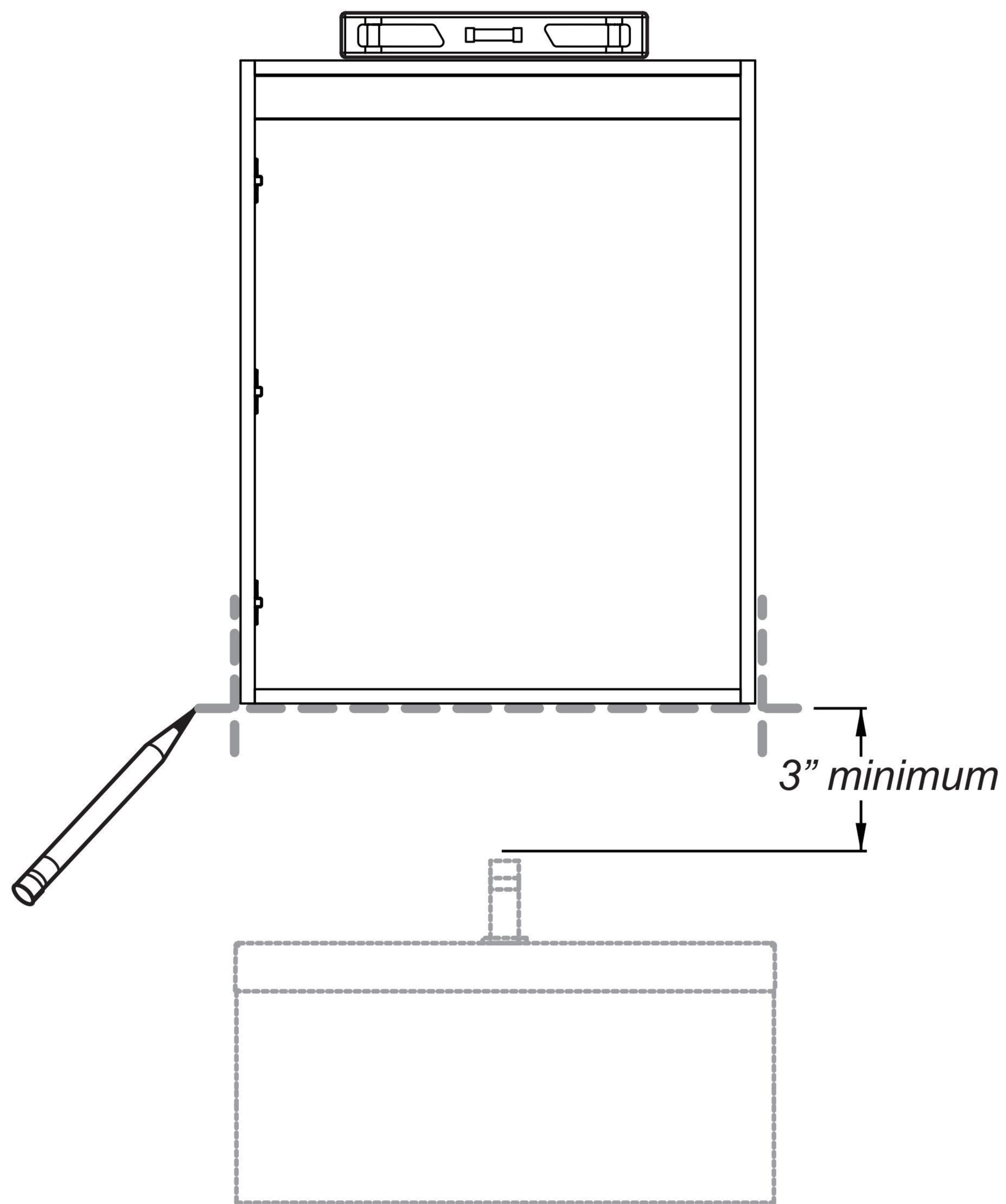
**NOTE: All rough-in dimensions for reference only!**

**NOTE:** Please use rough in size for recess mounting installation(wall cut-out).  
All dimensions and specifications are nominal and may vary. Use actual products for accuracy in critical situations.  
\*Style and shape may vary from the picture above. Instructional purpose only \*

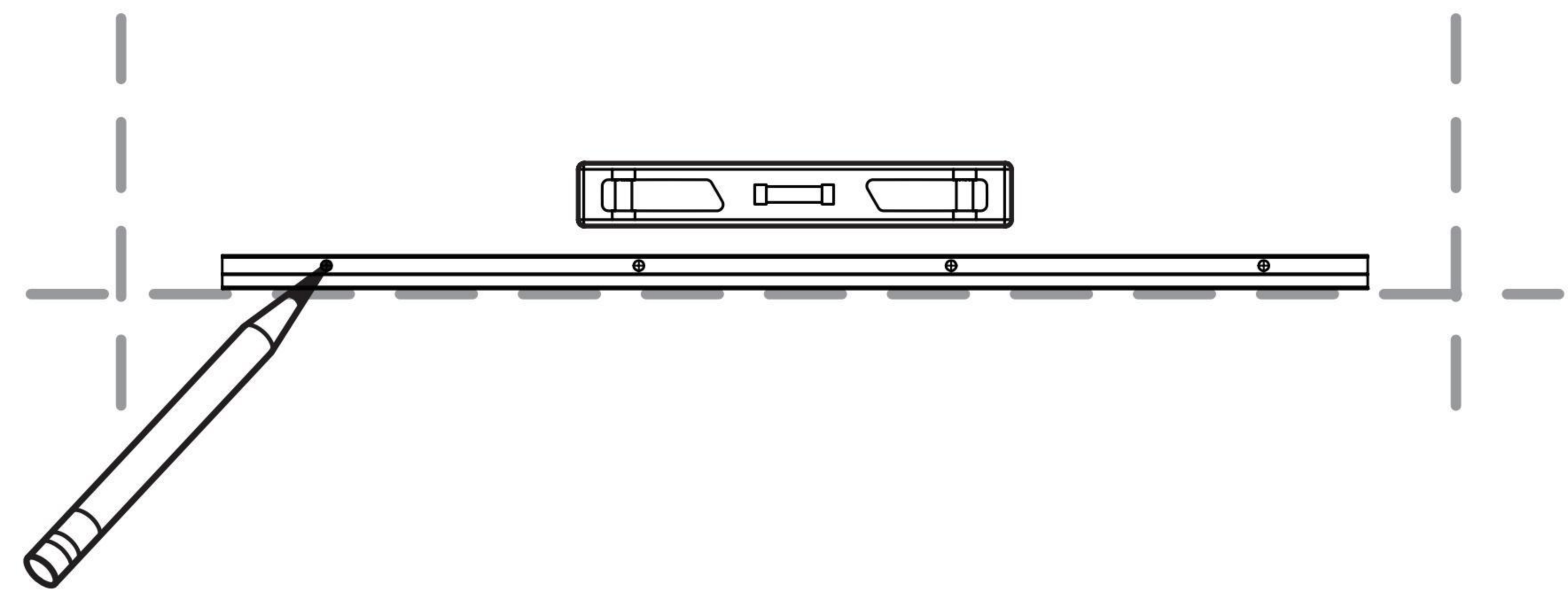
# SURFACE-MOUNTED INSTALLATION

\* No need to take off the door(s) before installing the cabinets.

**1** Level and mark the cabinet's location on the wall.

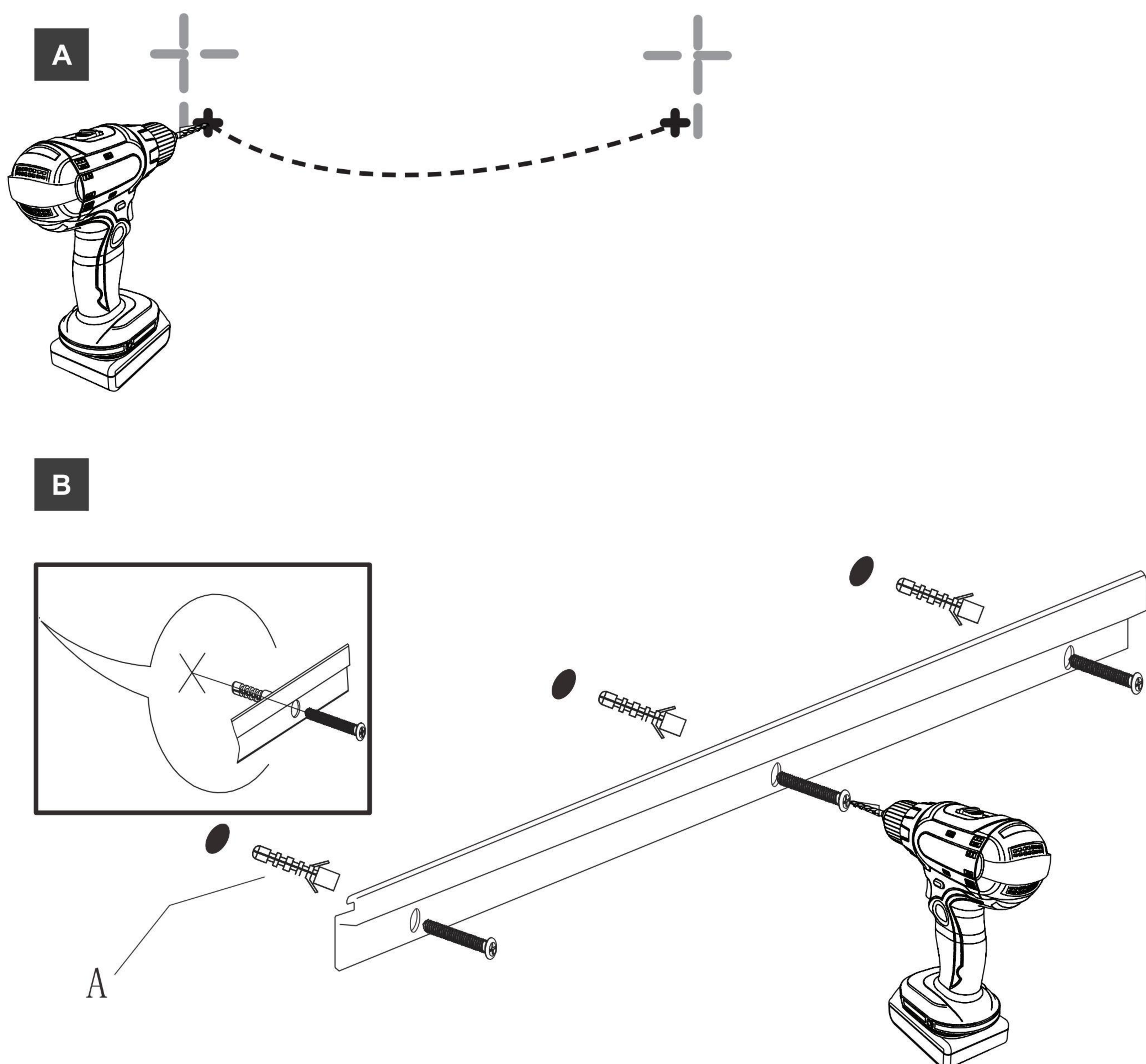


**2** Mark the position of the Top Mounting Bar and Punch.



Top mounting bar must be attached to furring strip/channel or wall studs

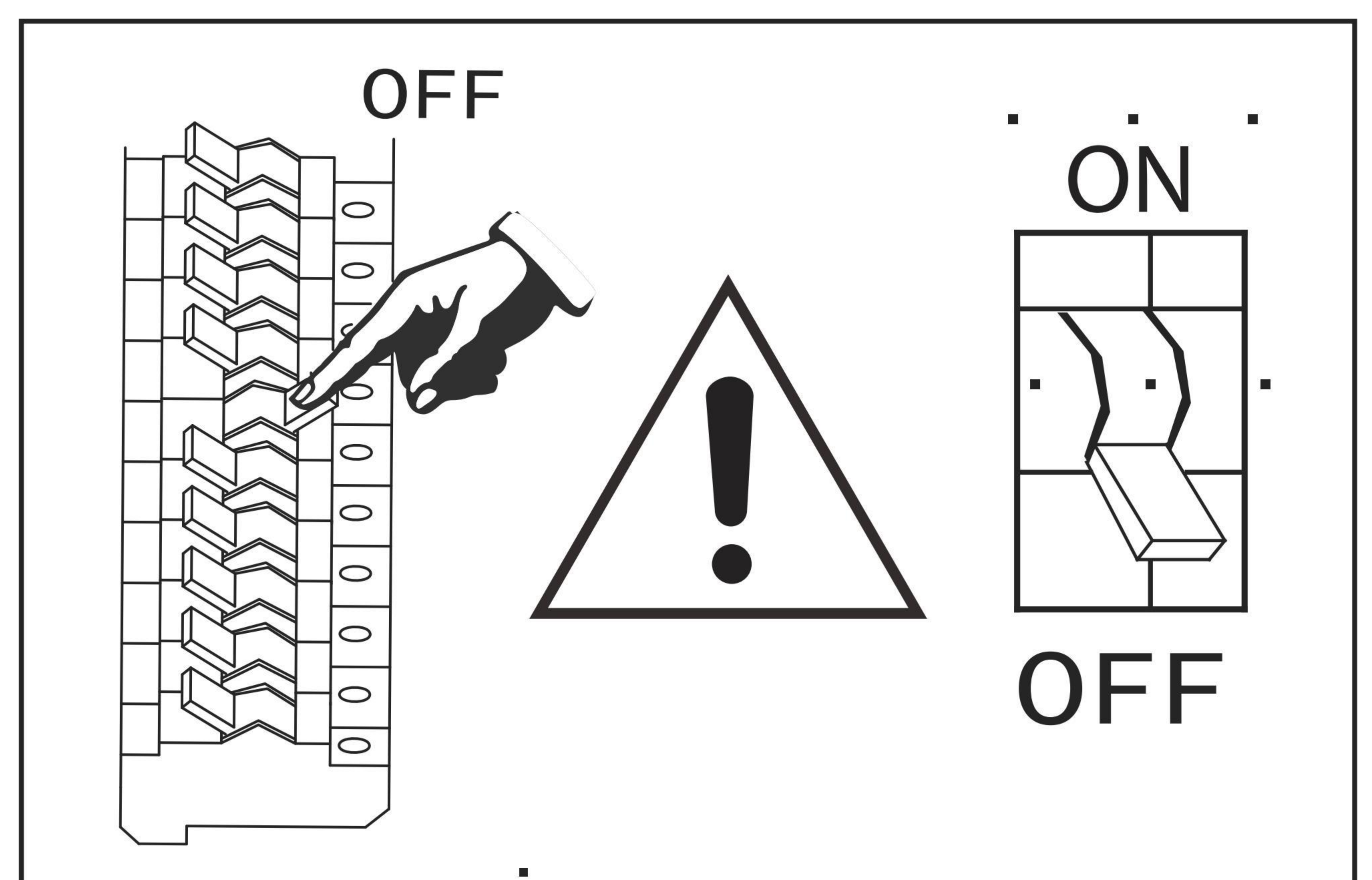
**3** Using a drill, make holes on solid wall, and fill with supplied plugs and screws into hanging bar holes tightly.



Attach Top Mounting Bar to wall.

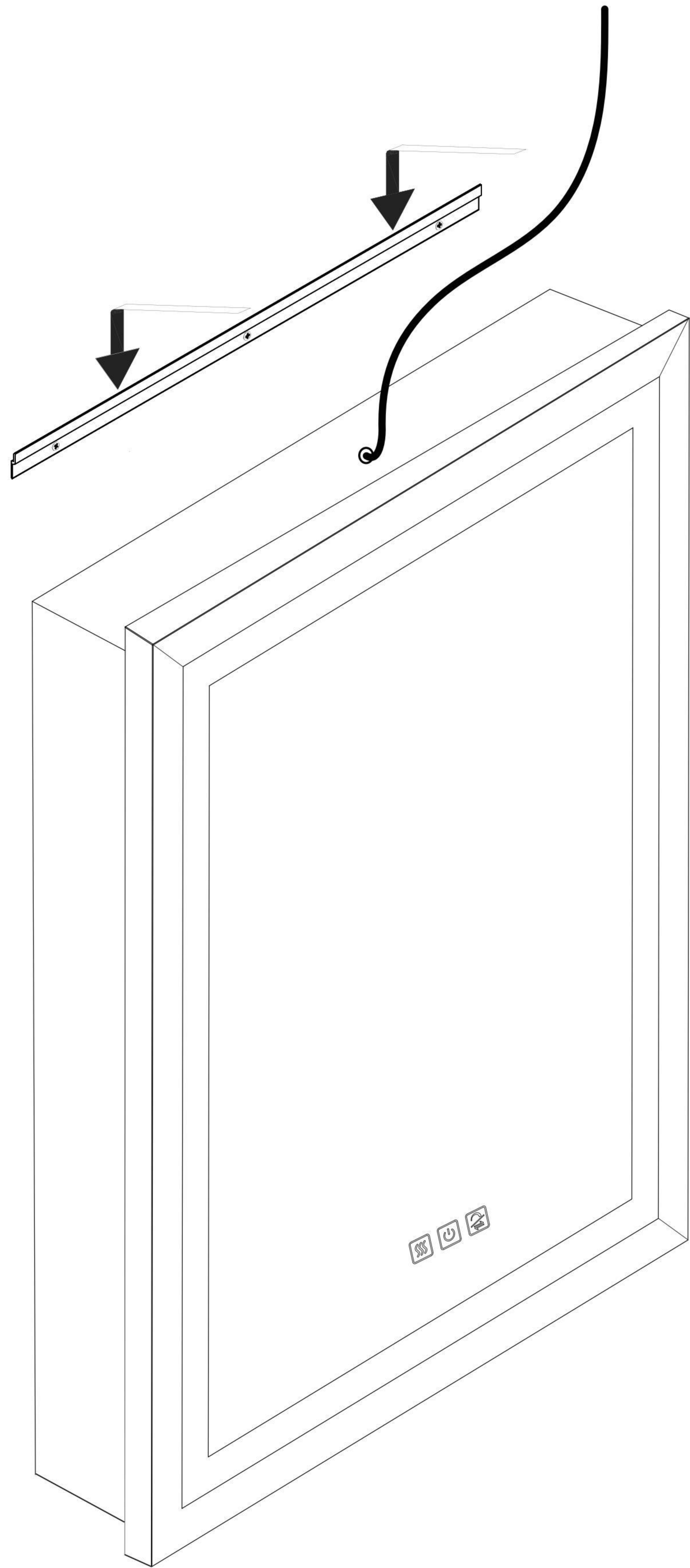
**4** Please turn off all the power before the mirror cabinet wires connection.

## Power Off

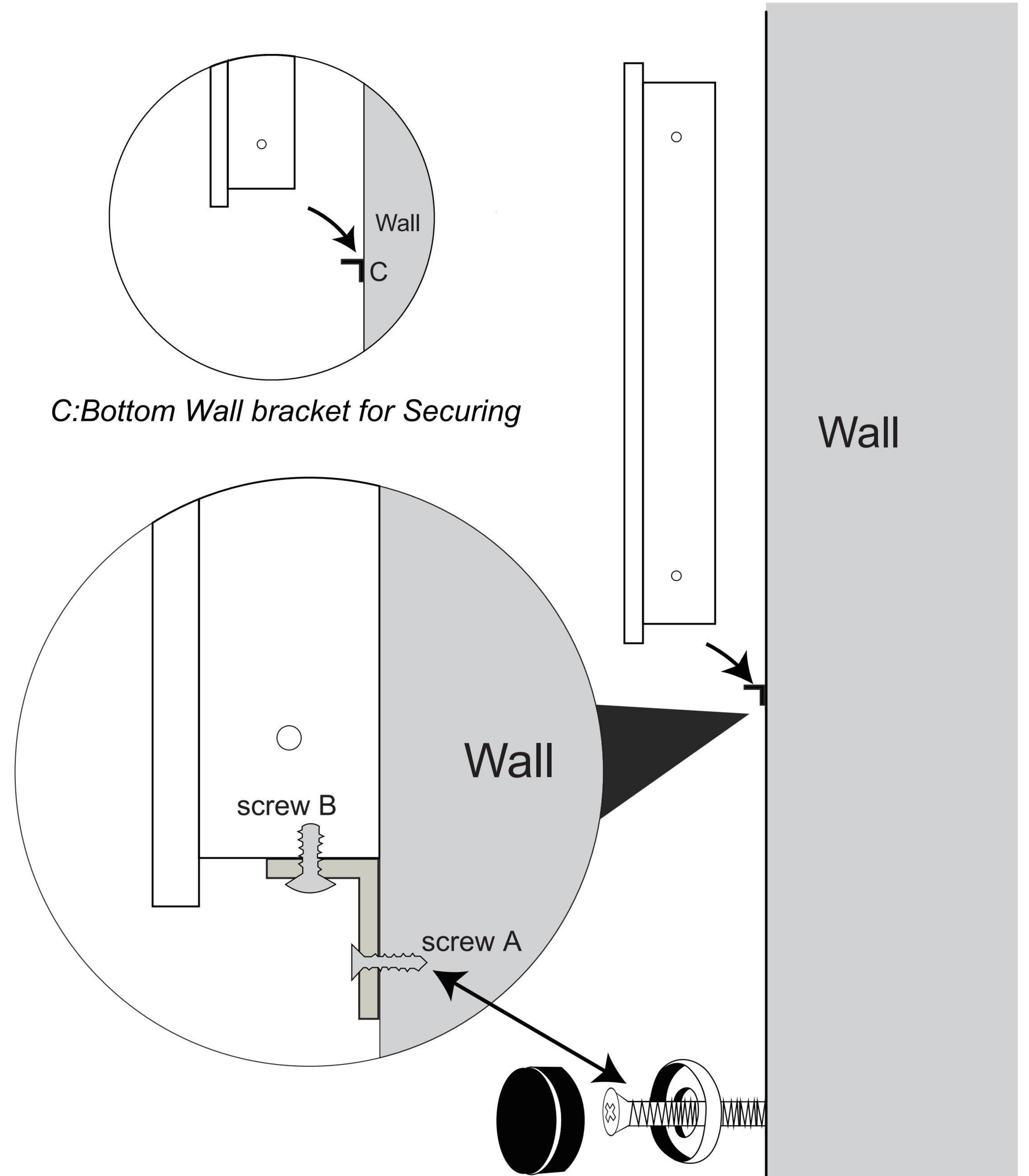


# SURFACE-MOUNTED INSTALLATION

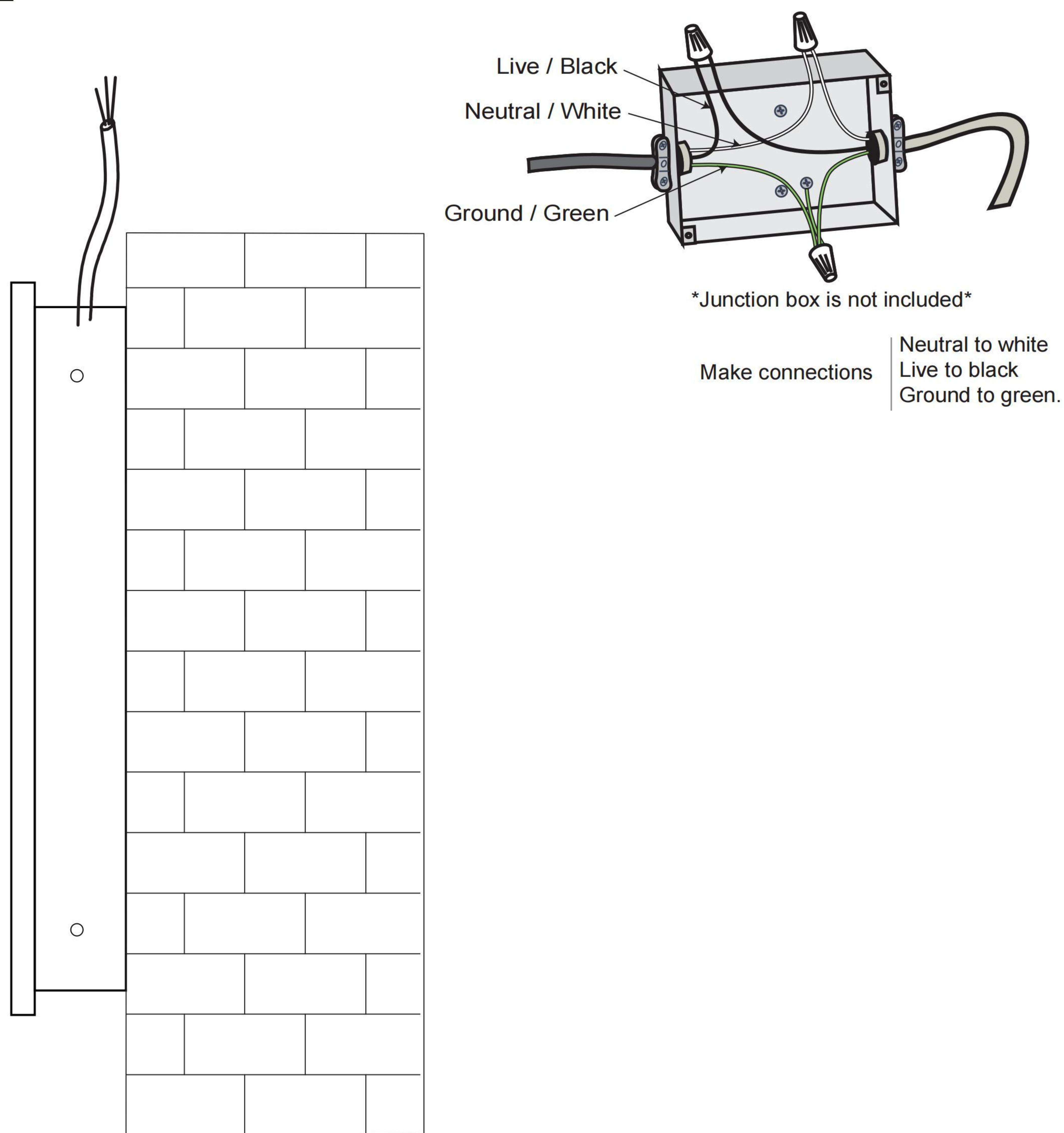
**5** With assistance, to rest the cabinet on the mounting bar and hold in place.



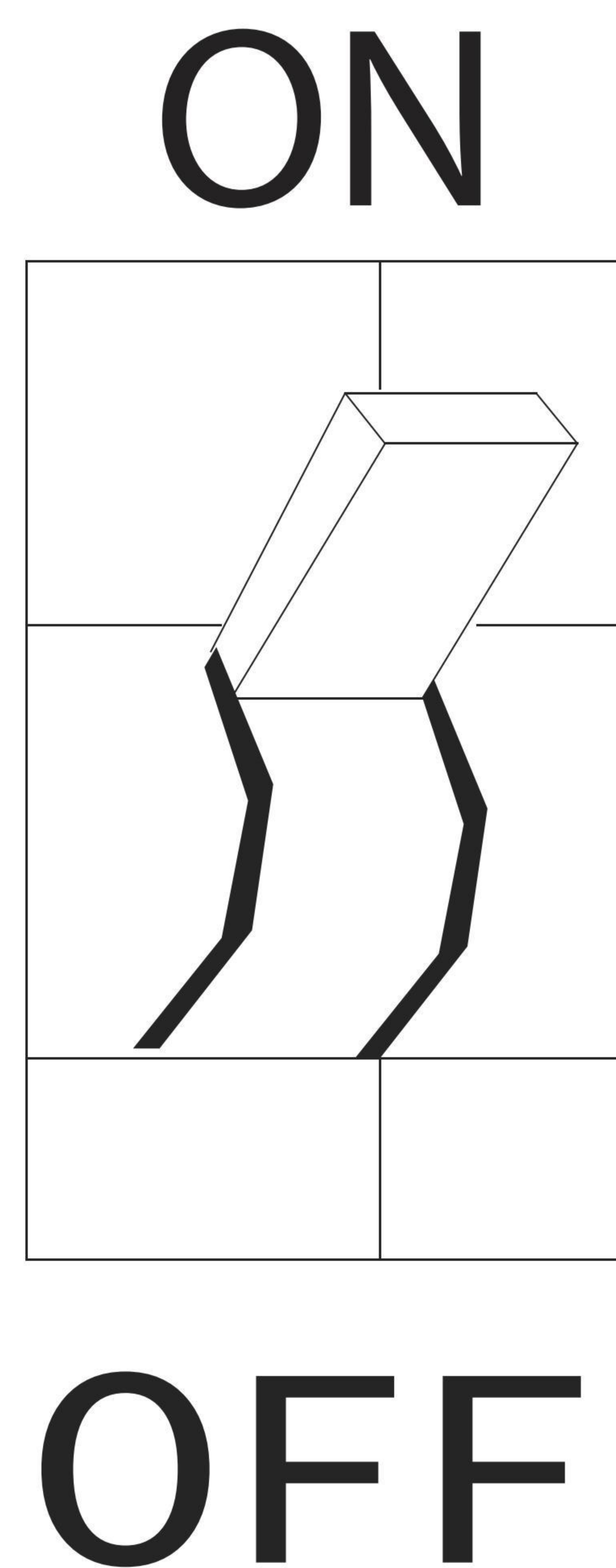
**6** Install the bottom wall bracket to secure the mirror cabinet to the wall. Screw B is located on the bottom of the cabinet, while Screw A is positioned on the wall.



**7** Wiring the power line.



**8** Hang up the mirror cabinet stable then turn on the power.

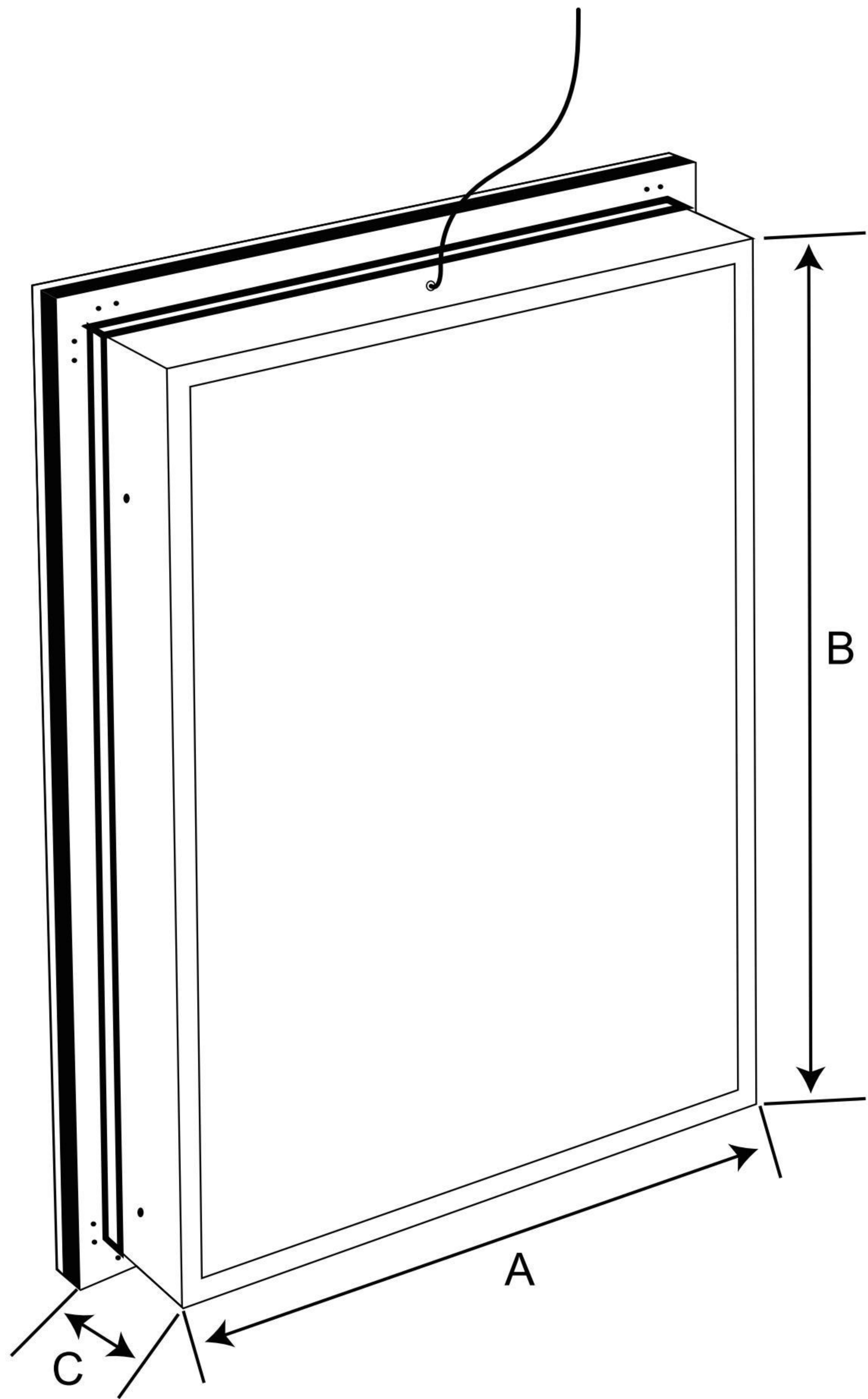


**WARNING:** Turn off the power before wire connection!

# RECESS INSTALLATION

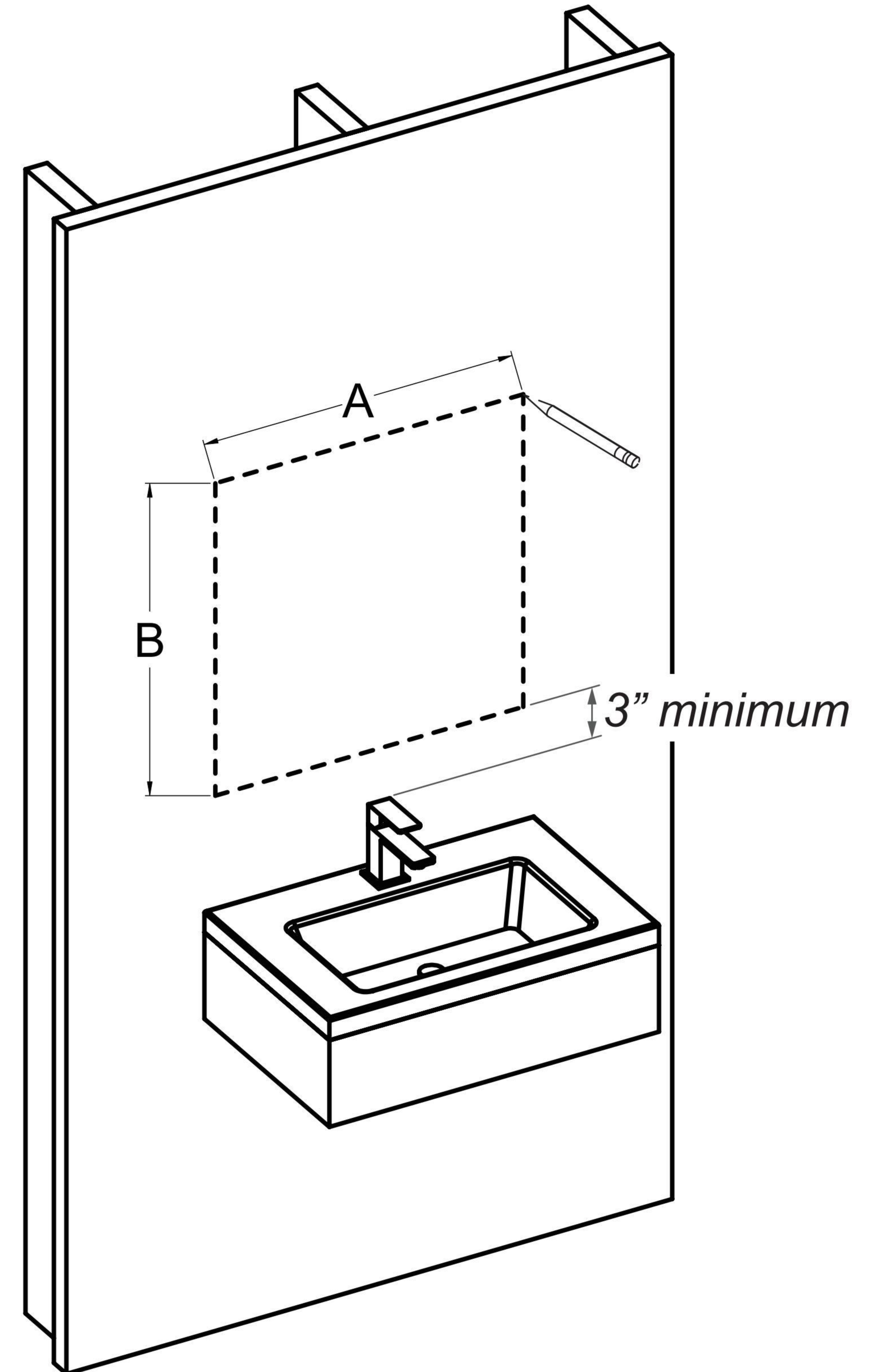
\* No need to take off the door(s) before installing the cabinets.

**1** Refer to "dimensions" on page 4 to measure Rough in size.

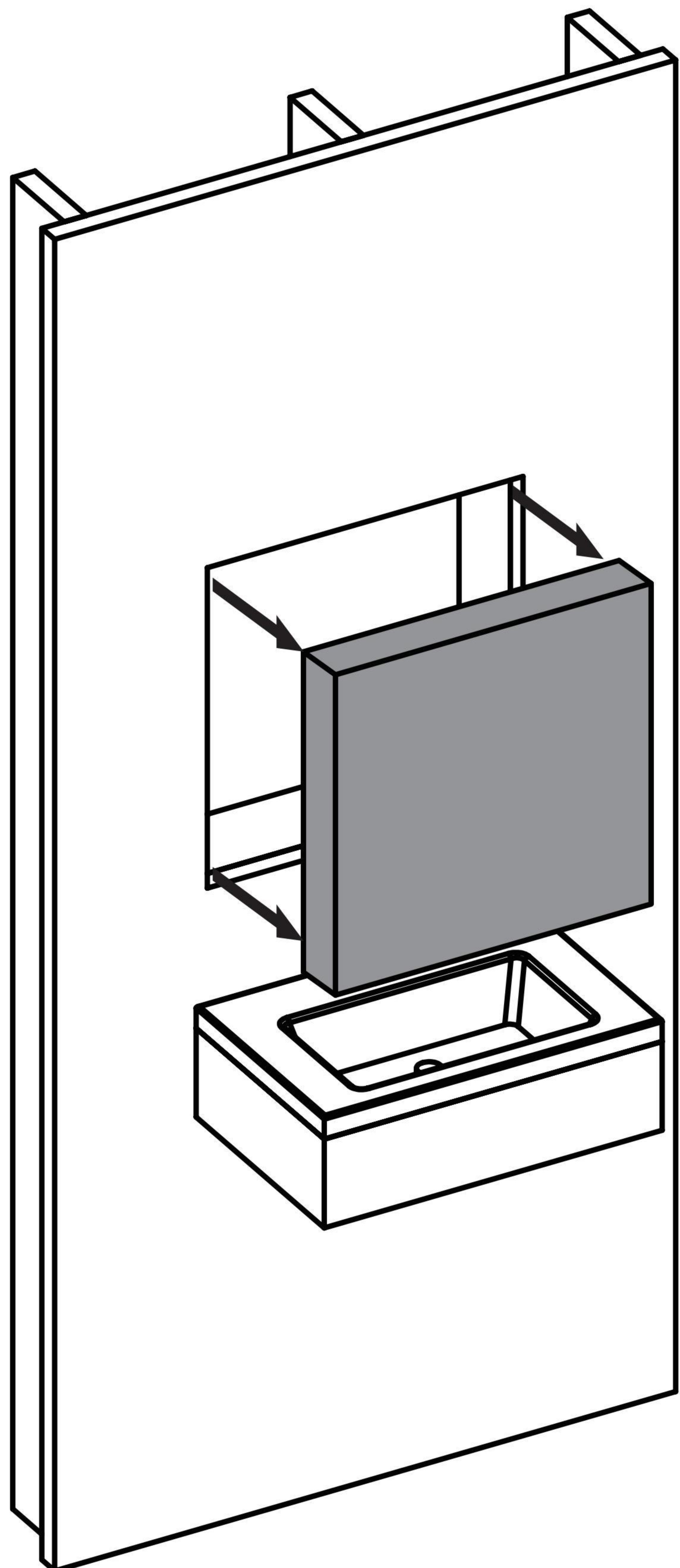


**NOTE:** To recess mount, the wall cavity must be framed and the cabinet secured to framing studs. Reroute electrical or water supply lines from the cavity. Consult a professional if drain or vent piping is encountered, or if the wall is load-bearing.

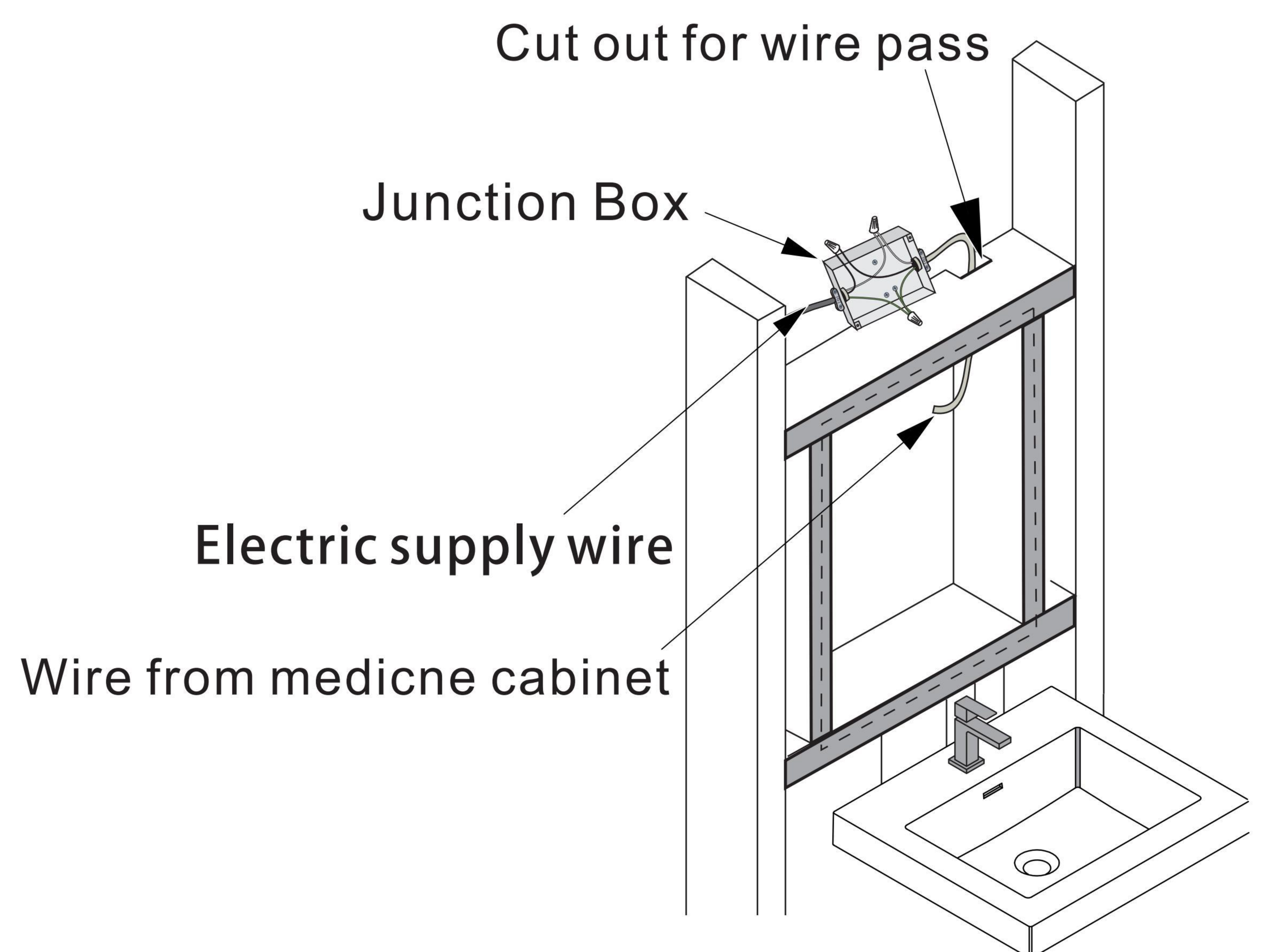
**2** Draw the perimeter of the cabinet on the wall.



**3** Cut the hole as marked dimension with suitable tool.



**4** Frame the opening for the cabinet based on the measurements.

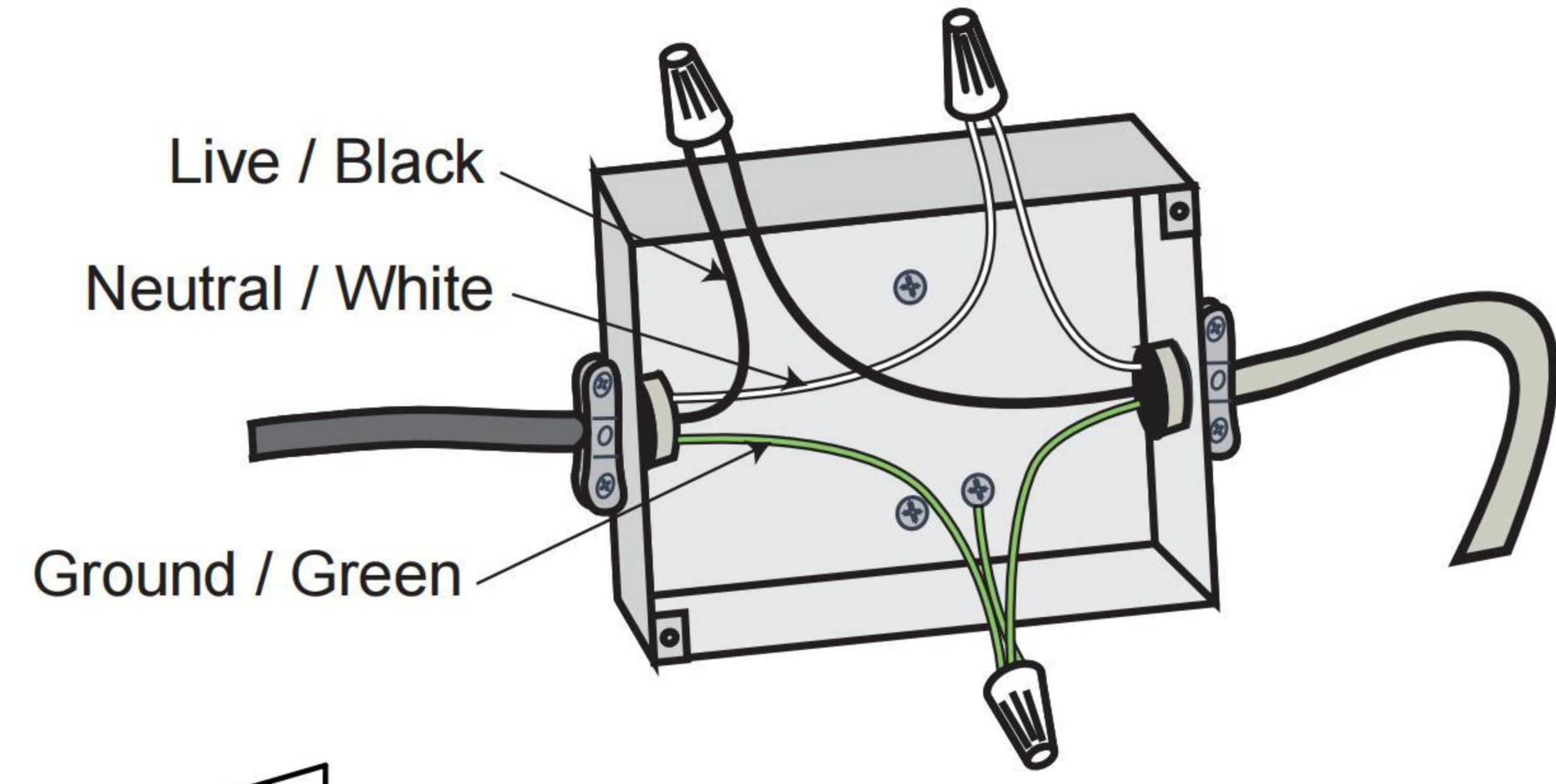


# RECESS INSTALLATION

**5** First cut off the power , then use the WIRE CONNECTOR connect to external power supply.

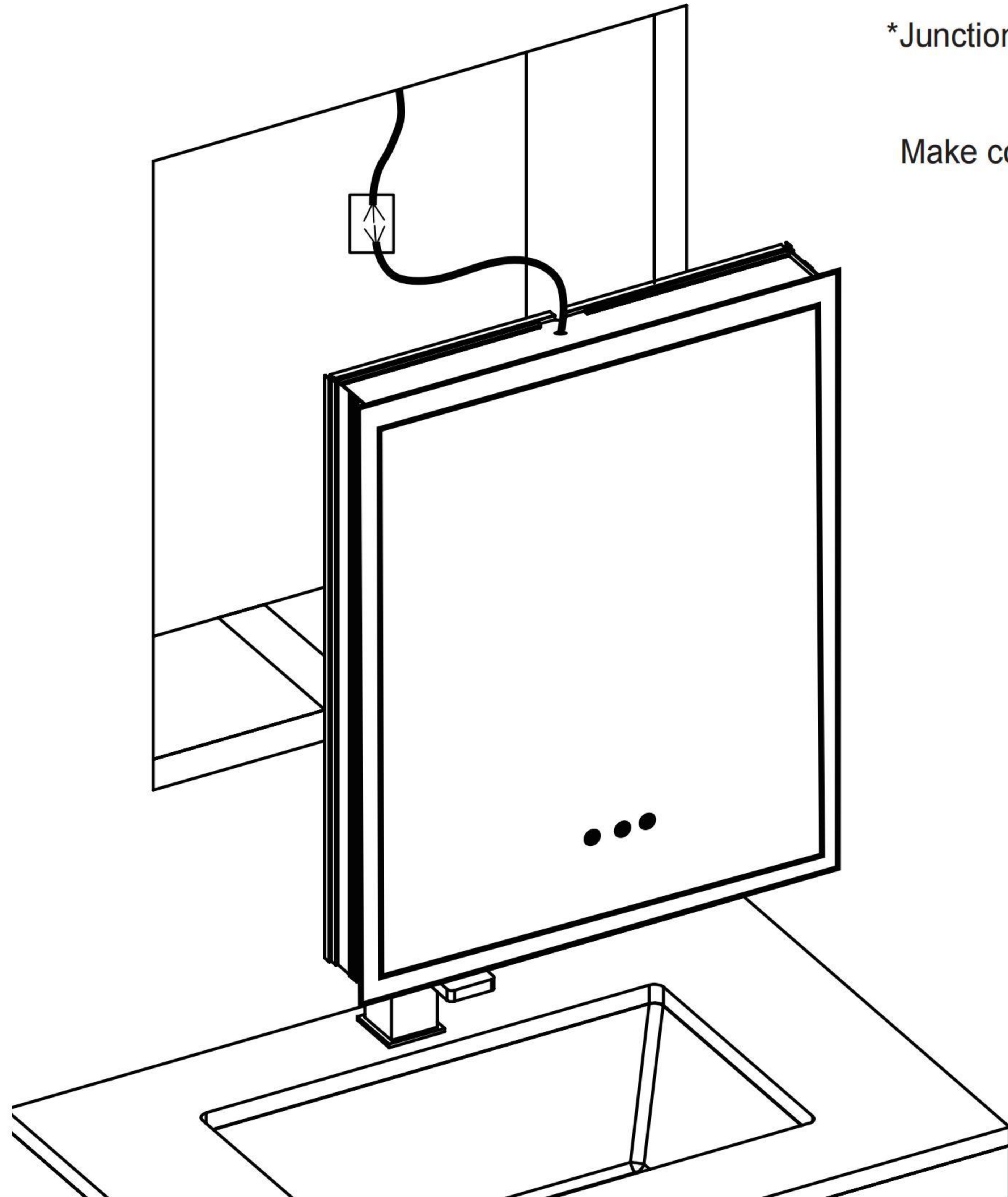


**WARNING:** Turn off the power before wire connection!

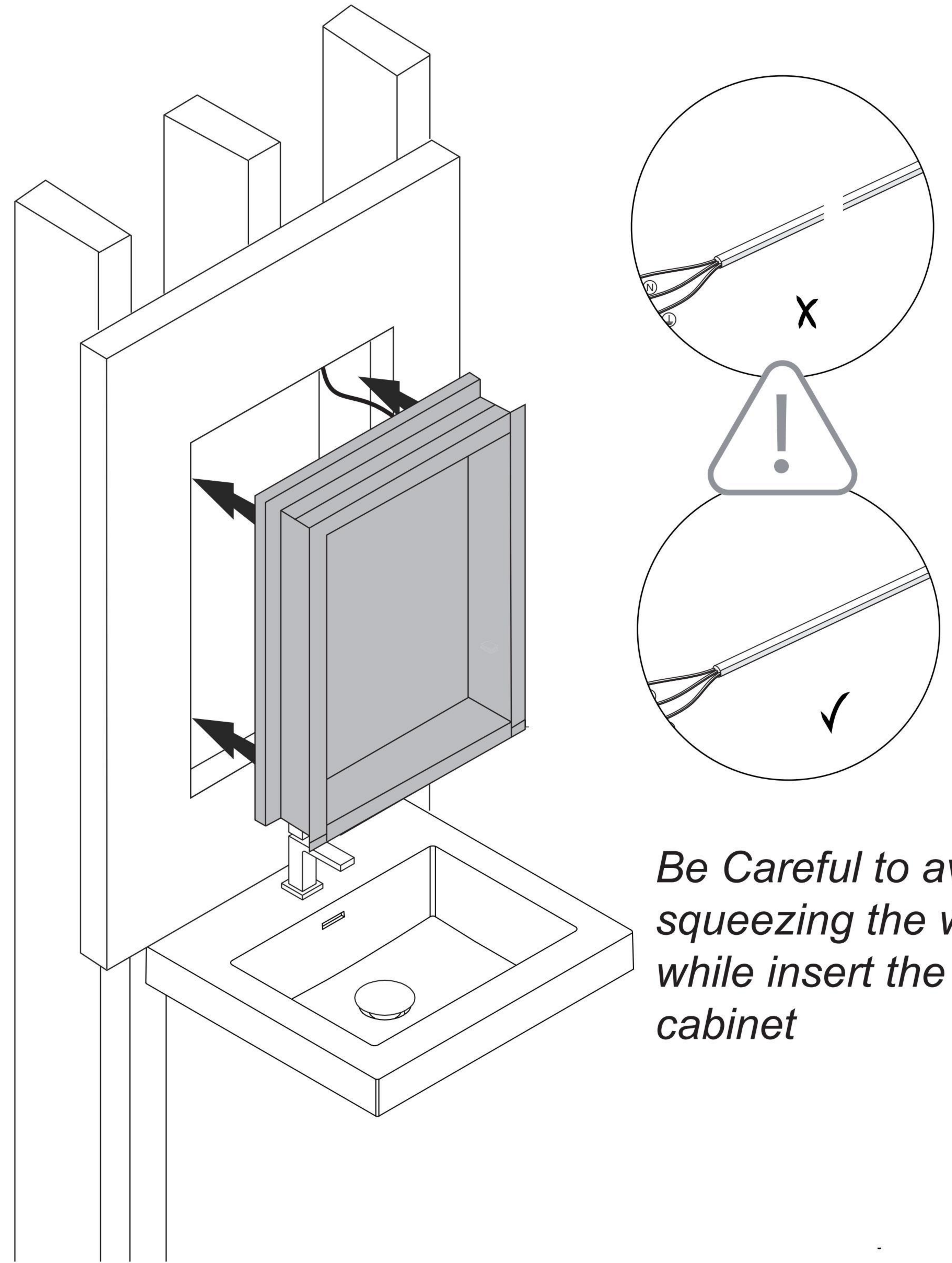


\*Junction box is not included\*

Make connections  
Neutral to white  
Live to black  
Ground to green.



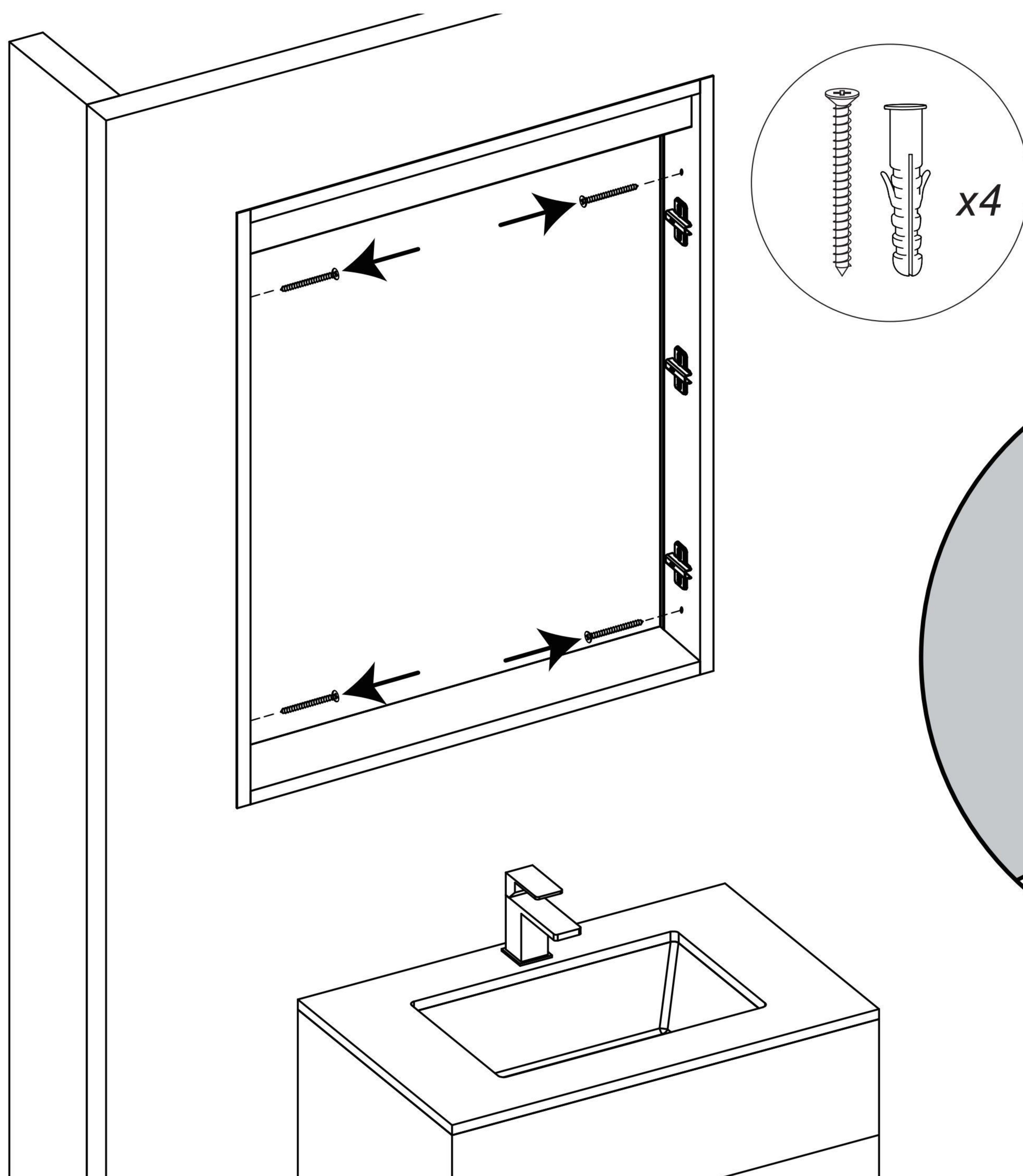
**6** Connect electrical wires and then place the cabinet between the wall studs.



Be Careful to avoid squeezing the wiring while insert the cabinet

**7** Affix using hardware screws into the studs.

**NOTE:** For wood stud wall, you need to use screw to fix the cabinet.  
For brick/concrete/stone/tile wall, you need to use wall plug and screw together to fix the cabinet.



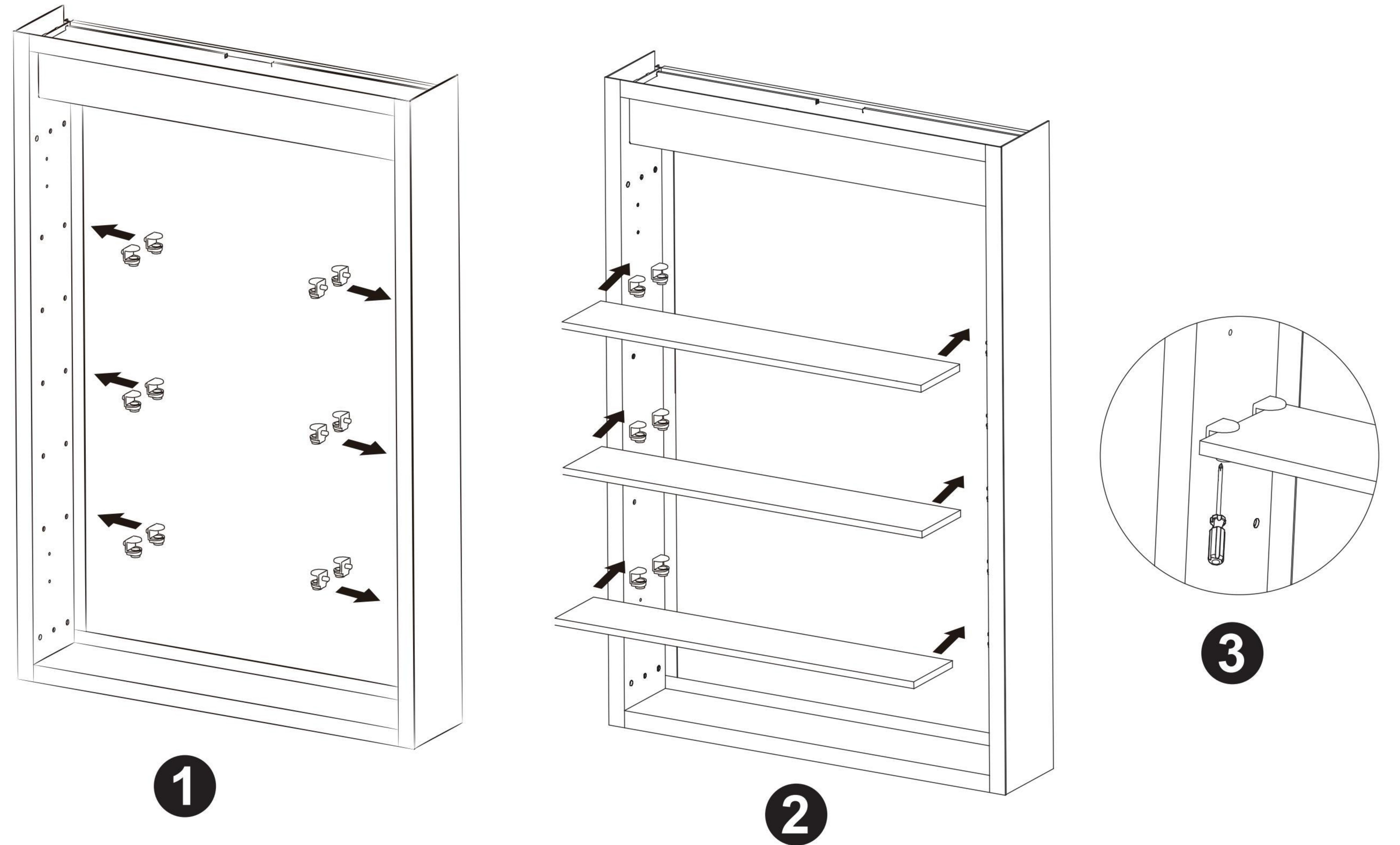
**NOTE:** The four screw holes for recessed installation are blocked by plastic caps. Please remove the caps first before inserting the screws into the wall.



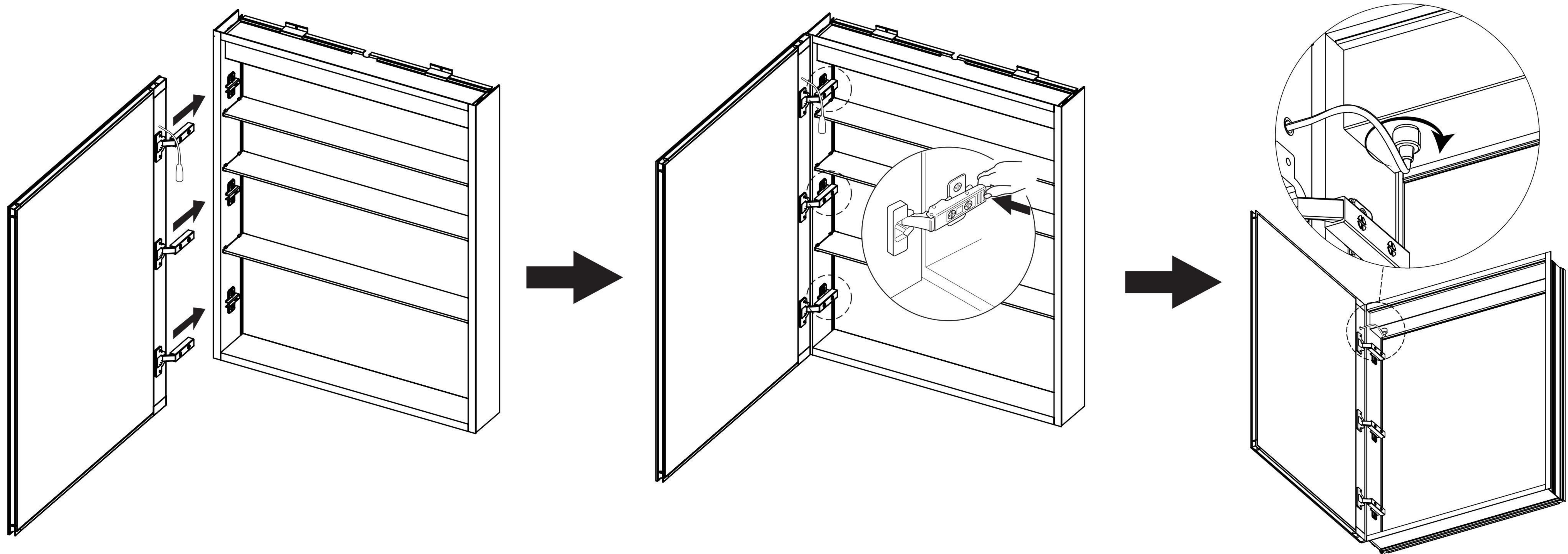
## GLASS SHELF ADJUSTMENT

**\* Remove the Door(s) before adjusting cabinet shelves.**

1. Insert the metal glass shelf clips into the shelf holes on both sides of the mirror cabinet.
2. Insert the Glass Shelf along the board clip slot.
3. Use a Phillips screwdriver to tighten the screw at the bottom of the metal shelf clip, securing and clamping the glass shelf in place.



## MIRROR DOOR INSTALLATION



1. Slide the doors into place by pinching the end of the hinges.
2. Plug the door into the cabinet.

Press the end of the hinge to match the hinge seat

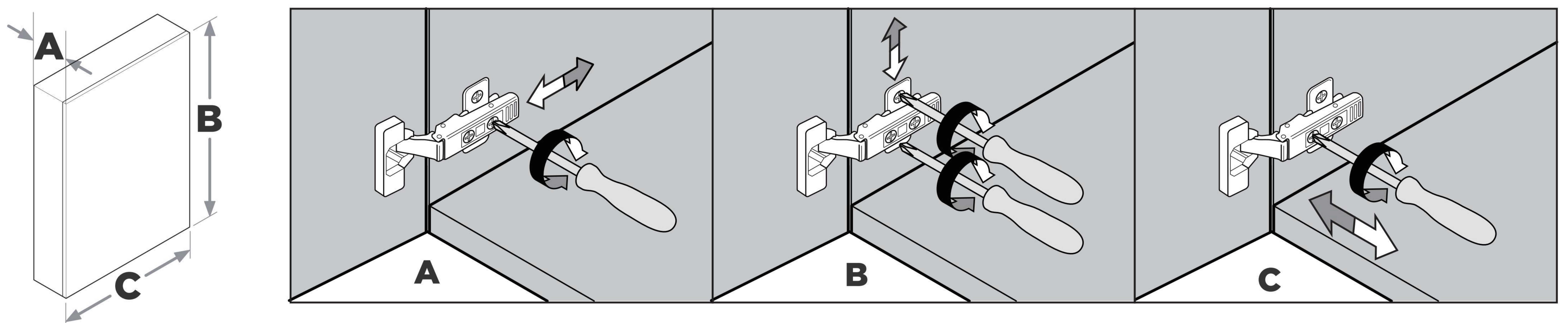
Installing wiring terminals

## Door Adjustment / Door Removal

### OPTIONAL DOOR ADJUSTMENT

Doors may need to be adjusted after the initial shipping of the cabinet. The cabinet doors have a three-way adjustment feature. Height, side-to-side, level and depth can be adjusted. With the hinge slightly closed you can access the middle screw for up/down adjustment.

With the hinge fully extended you can access the front and back screws. These screws will move the door side to side and in and out.



## TOUCH BUTTON AND OUTLET CHARGER

### How to use Defogger Switch and Dimmer Switch :

#### Left Touch Sensor

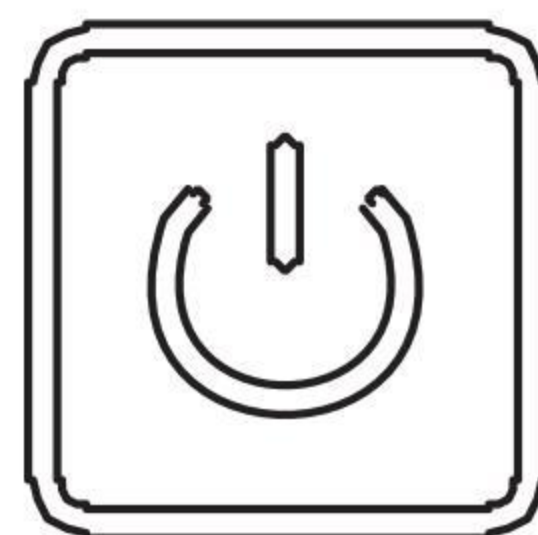


Short touch to turn ON/OFF the defogger.

#### Middle Touch Sensor



“Switch” sign



Short touch to ON/OFF lighting.

#### Right Touch Sensor



Short touch to get the light temperature 6000K, 4000K and 3000K.

Long touch to adjust the light brightness from 10%-100%.

Release the button when the light reaches the desired setting.

**\*Suggestion:** The mirror is equipped with memory function to preserve the previous brightness/color settings.

### How to use Outlet and USB Charger :

This lighted medicine cabinet contains outlet and USB chargers.

1. Outlet Charger is 15Amp 110V AC to power shavers, or toothbrushes, but do not use it for Hair dryer, it may blow a circuit.
2. USB ports provide 4.2Amp 5V DC for charging purpose only, not for data transfer.

**\*Suggestion:** Turn off the mirror power supply if you don't use it for a long time.

\*The design of touch switch may vary, and subject to change without prior notice.

## USE AND MAINTENANCE

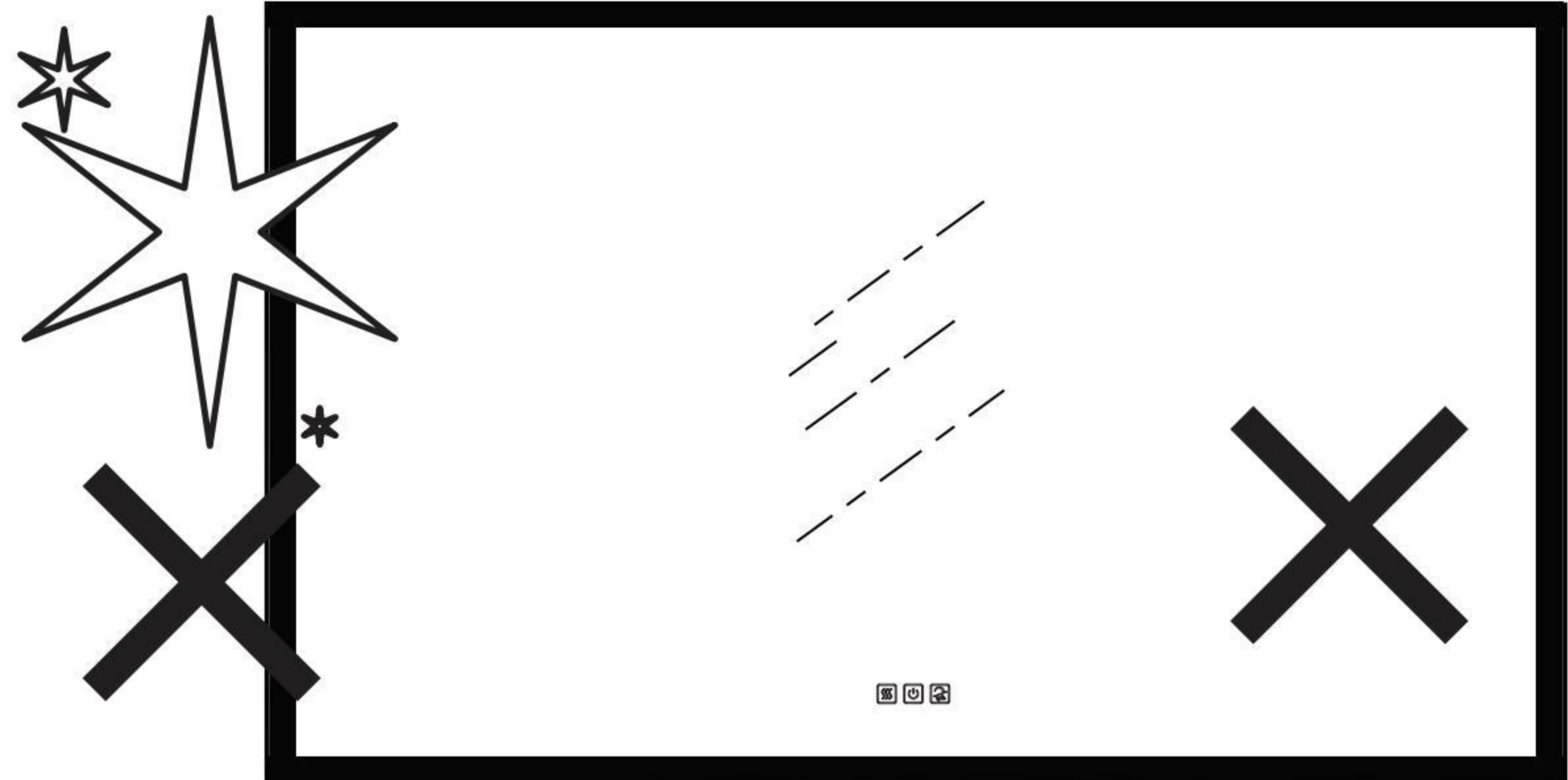
### WARNINGS:

1. Please do not use if you found the mirror cabinet has been broken.
2. Never put any sharp or heavy material on the mirror surface, other wise the glass mirror will be broken and body injury accidents may occur .
3. Turn off the power switch in storm lightning weather to avoid electric parts damage.

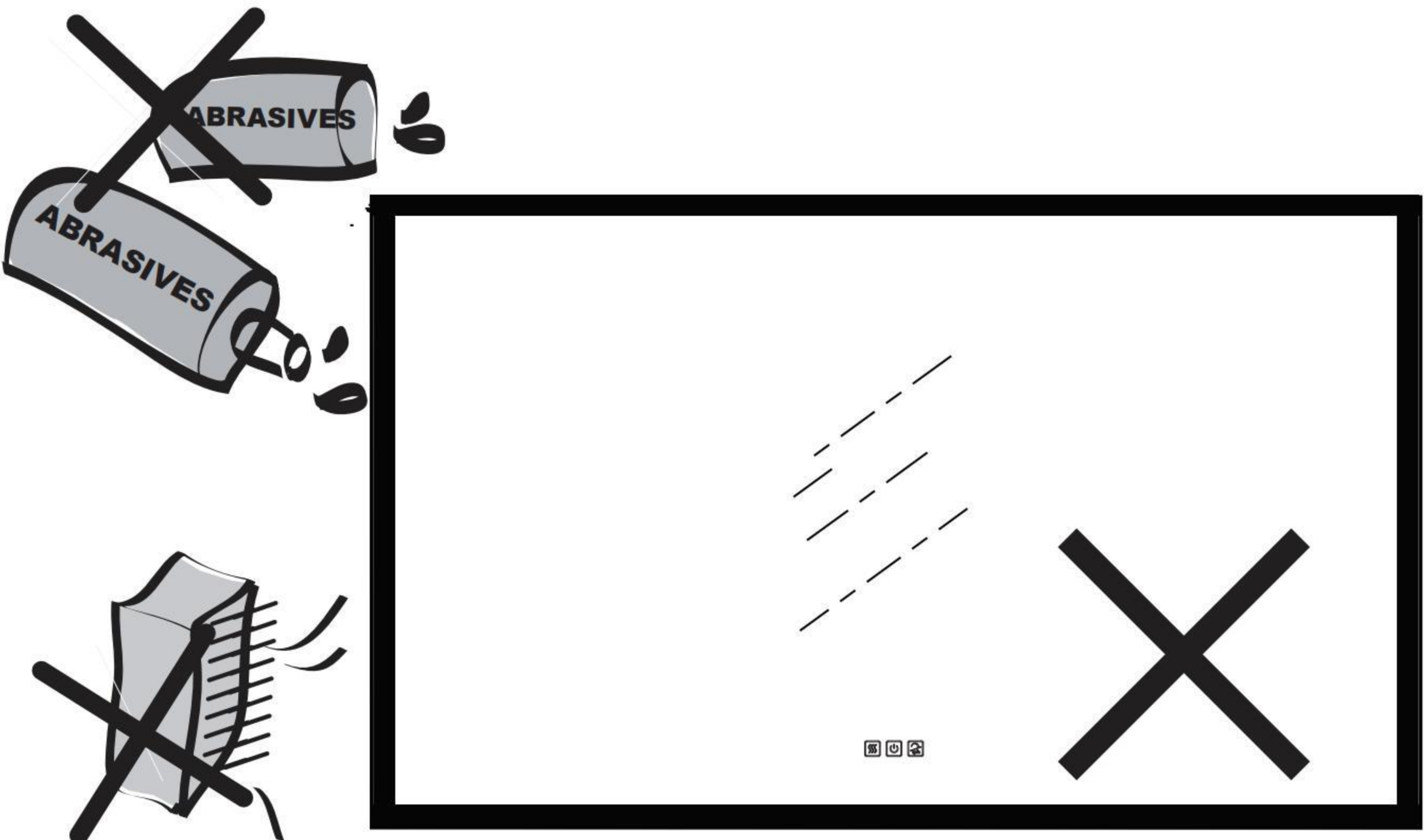
### Use and Maintenance:

#### CAUTION:

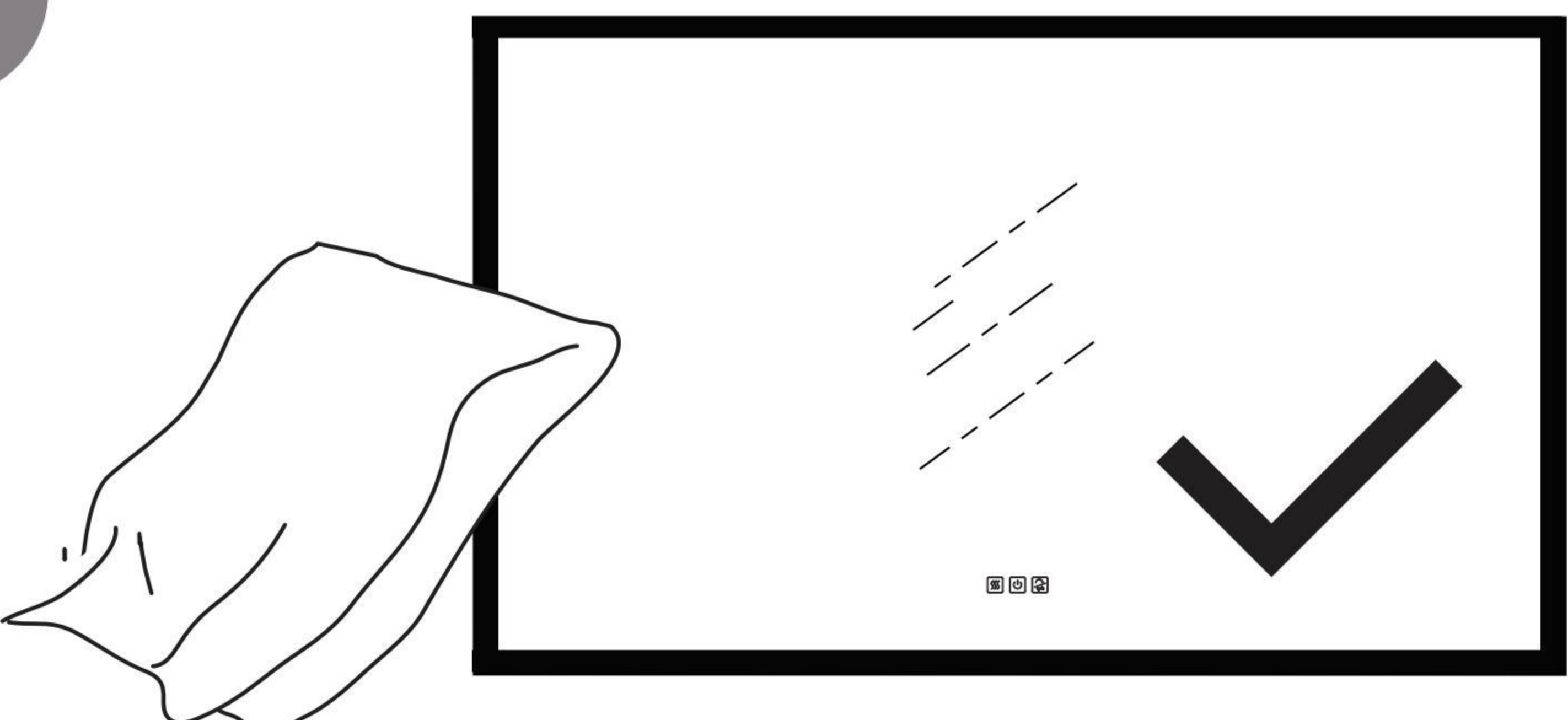
##### ● USE

<p><b>1</b></p> 	<p>1. To avoid damage, do NOT knock the mirror cabinet with any hard objects;</p>
---	---

##### ● CLEANING

<p><b>2</b></p> 	<p>2. Do NOT clean the mirror cabinet with caustic cleaner. Do NOT wipe the mirror cabinet with Bristle brush;</p>
---	--

##### ● MAINTENANCE

<p><b>3</b></p> 	<p>3. For daily maintenance, please use soft cloth and mild cleaner to clean the mirror cabinet.</p>
---	--

## LIMITED WARRANTY

### LIMITED WARRANTY TWO YEARS TERM:

WELLFOR® warrants to the original purchaser that, it will, at its election repair, replace, or make appropriate adjustment to products made by this company shown to have significant defects in material or workmanship which are reported to WELLFOR® in writing within two (2) years from the date of delivery. WELLFOR® is not responsible for installation costs. The warranty is void in the event the product is damaged in transit, or if damage or failure is caused by abuse, misuse, abnormal usage, faulty installation, damage in an accident, improper maintenance, or any repairs other than those authorized by WELLFOR®. At the expiration of the two years warranty period, WELLFOR® shall be under no further obligation under any warranty, expressed or implied, including the implied warranty of merchantability. WELLFOR® shall not be liable for any consequential damages arising out of or in connection with the use or performance of its products. Some states do not allow limitations on how long an implied warranty lasts or do not allow the exclusion or limitation of incidental or consequential damages, so the above limitation or exclusion may not apply to you. Any liability against WELLFOR® under any implied warranty, including the warranty of merchantability, is expressly limited to the terms of this warranty. Permission to return any merchandise under this warranty must be authorized by WELLFOR® and returned prepaid by the purchaser. Claims under this warranty should be sent directly to your dealer.

For customer support please call 206.809.0093 weekdays 9:00 to 6:00 PST, or by email: [service@wellfor.com](mailto:service@wellfor.com).

For more information: [www.wellfor.com](http://www.wellfor.com)