

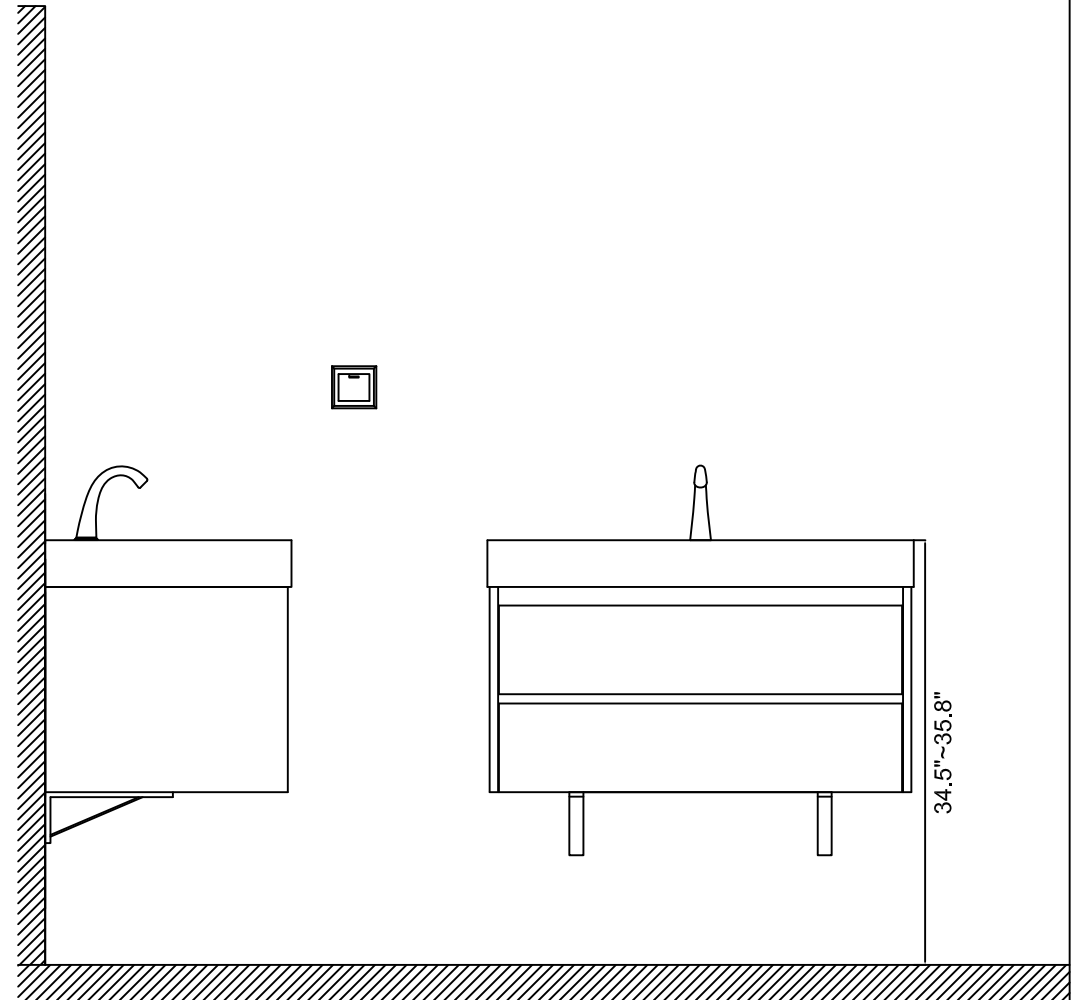
INSTALLATION INSTRUCTIONS

Confidential : A

SKU: VA4821V6NW

PROHIBIT COPY

- Prior to installation please check received items against the Packing List .If any part is missing or damaged, please do not return the product to the store and contact us;
Call: (302)336-8180
Email: vanityinservice@gmail.com
- Protect all surfaces from sharp objects , high heat sources,direct prolonged sunlight and chemical hazards .
- Professional installation is recommended !



INSTALLATION INSTRUCTIONS

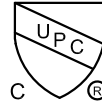
Confidential : A

SKU: VA4821V6NW

PROHIBIT COPY

NOTE

1. Ceramic sink: cUPC certified.



2. LED light :

a. The LED light is replaceable, if it is damaged, please contact us ;

Call: (302)336-8180

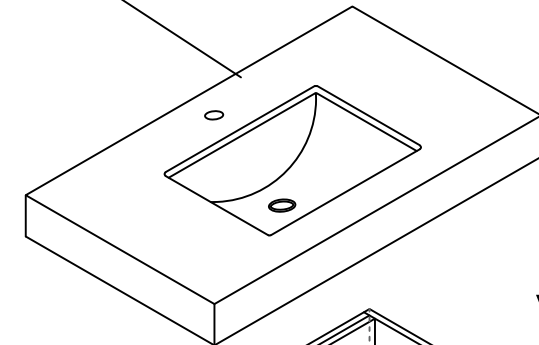
Email: vanityinservice@gmail.com

b. LED light should be connected to the wall switch for turning on/off.

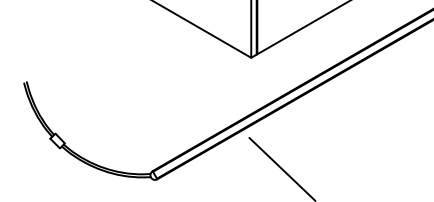
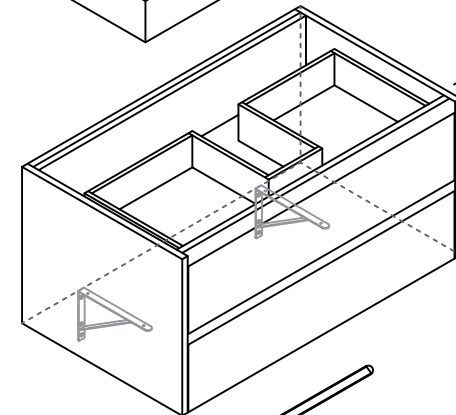
c. UL certified & IP67 for water proof.



Marble top with ceramic sink

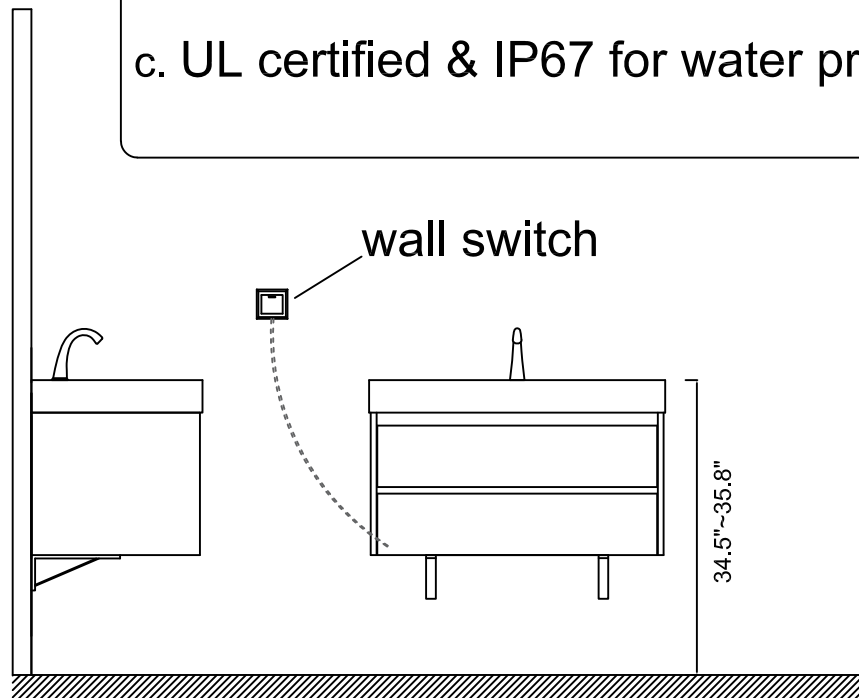


Vanity



LED light

(pre-assembled on the bottom of the vanity)



INSTALLATION INSTRUCTIONS

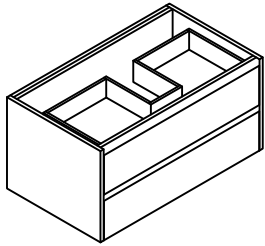
Confidential : A

SKU: VA4821V6NW

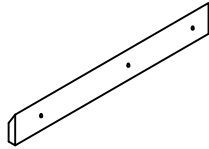
PROHIBIT COPY

PACKING LIST

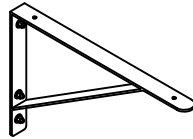
A Main Vanity
1 PC



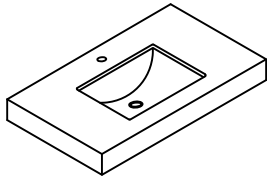
B Wood Cleat
1 PC



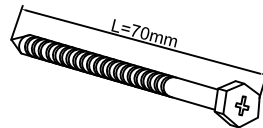
C Metal Bracket
2 PCS



D TOP
1 PC

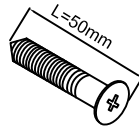


E Wood Screw
4 PCS



M6 x 70

F Wood Screw
8 PCS



M5 x 50

G Wood Screw
4 PCS

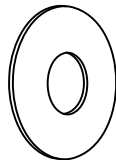


M4 x 15

H Wall Anchor
12 PCS



I Metal Washers
4 PCS



TOOLS REQUIRED

Drill Bits



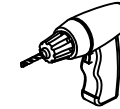
Ø3/8" (8mm)dia.

HSS

Screw Driver



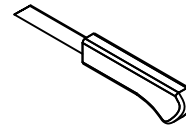
Drill



Level



Knife



Glove



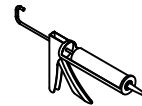
MASONRY DRILL BIT FOR
TILE Ø3/8" (8mm)



Safety Glasses



Silicone



Measuring Tape



Soft Head
Hammer



Pencil



Wood stud finder



INSTALLATION INSTRUCTIONS

Confidential : A

SKU: VA4821V6NW

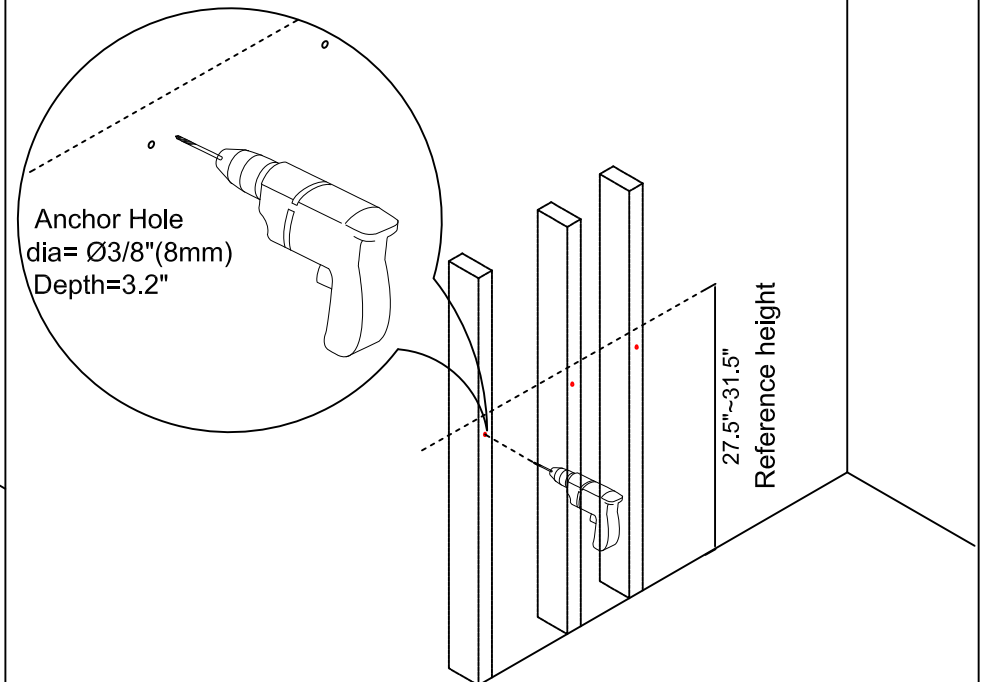
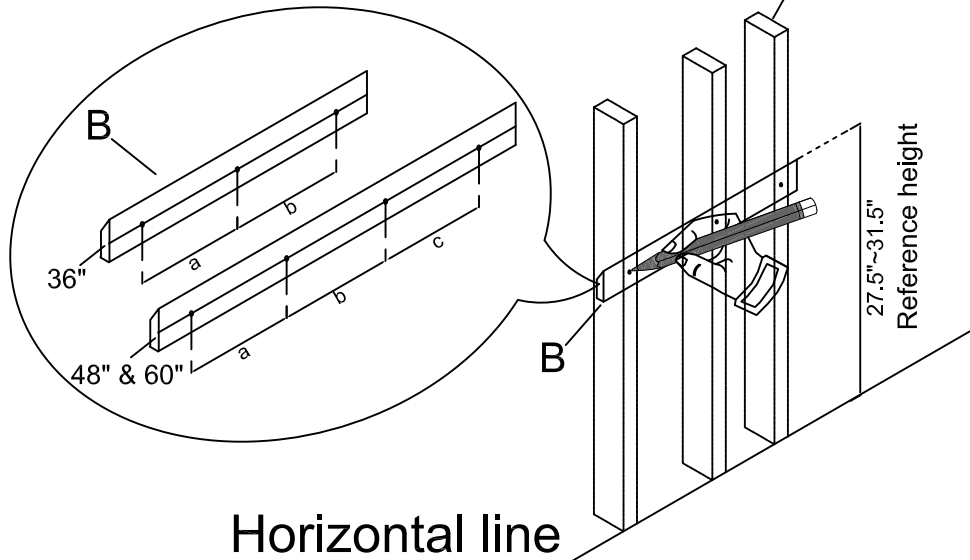
PROHIBIT COPY

- STEP 1:**
- Use a wood stud finder to locate the wood studs behind the walls.
 - Use a pencil to mark the installation location for the **Wood Cleat (B)**.
 - Use a level to ensure the **Wood Cleat (B)** will be level before installing to the wall.

- STEP 2:** Drill the anchor holes according to the marks using a drill.

NOTE Make sure the screw holes must be on the wood studs otherwise the vanity will fall out because the dry wall cannot hold the cabinet.

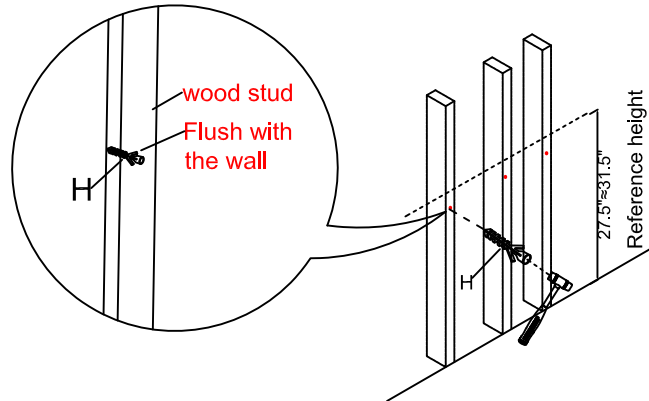
vanity	hole	a	b	c
36"	3	12"	12"	-
48"	4	12"	12"	12"
60"	4	12"	24"	12"



INSTALLATION INSTRUCTIONS

SKU: VA4821V6NW

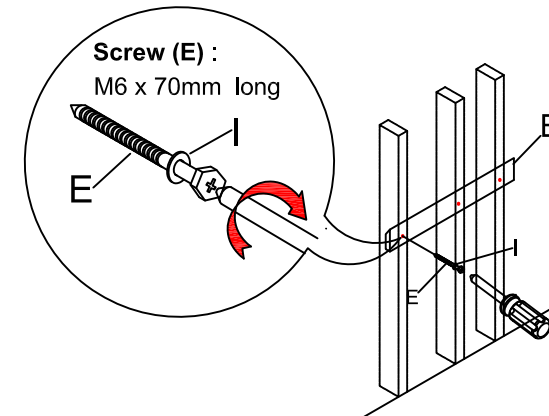
STEP 3: Install the **Wall Anchors (H)** provided into the wall with hammer.



Confidential : A

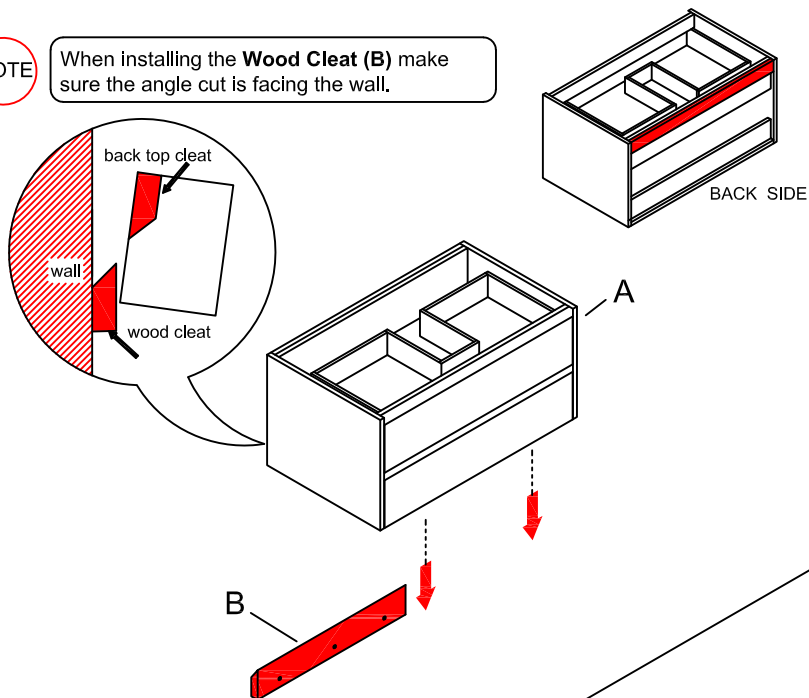
PROHIBIT COPY

STEP 4: Install the **Wood cleat (B)** to the wood studs by screw driver.



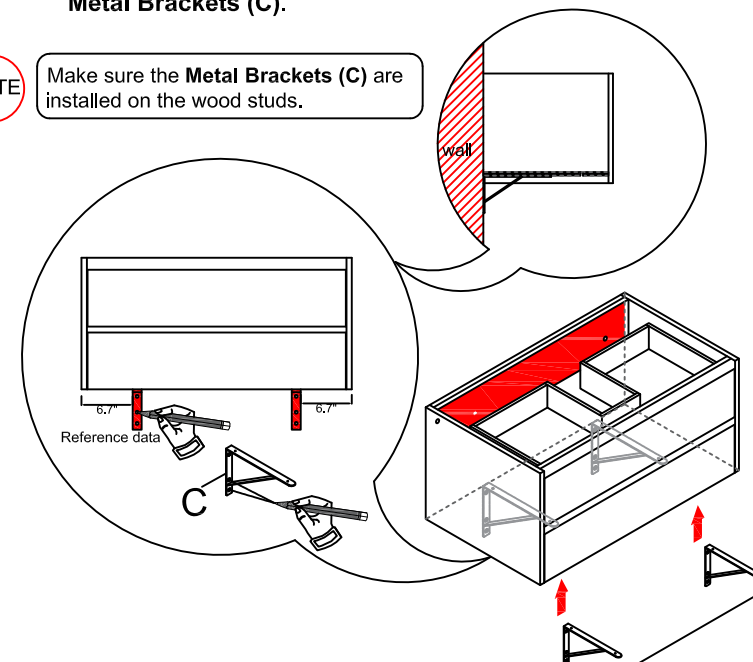
STEP 5: With help from another person, carefully hang the **Vanity (A)** onto the **Wood Cleat (B)**.

NOTE When installing the **Wood Cleat (B)** make sure the angle cut is facing the wall.



STEP 6: Using a pencil to mark the installation location for the **Metal Brackets (C)**.

NOTE Make sure the **Metal Brackets (C)** are installed on the wood studs.



INSTALLATION INSTRUCTIONS

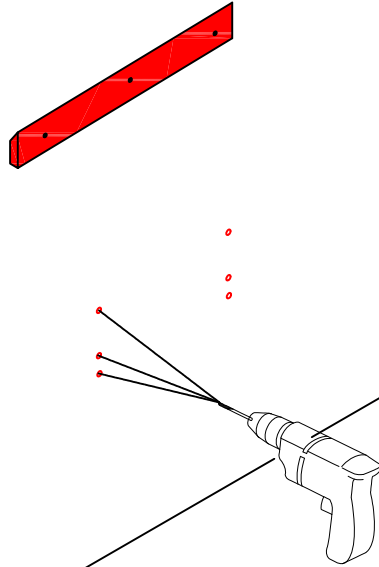
Confidential : A

SKU: VA4821V6NW

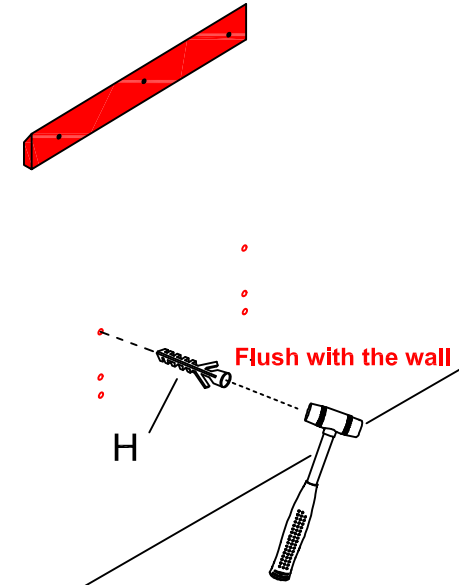
PROHIBIT COPY

STEP 7: Carefully remove the **Vanity (A)** with the help from another person, and then drill the anchor holes according to the marks using a drill.

Anchor Hole
dia= $\varnothing 3/8"$ (8mm)
Depth=3.2"

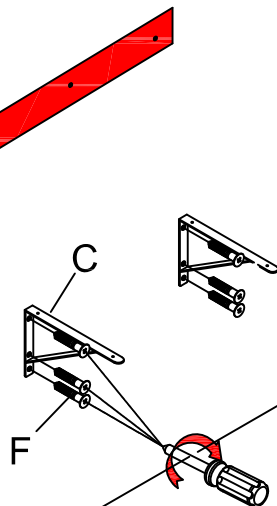


STEP 8: Install the **Wall Anchors (H)** provided into the wall with hammer.

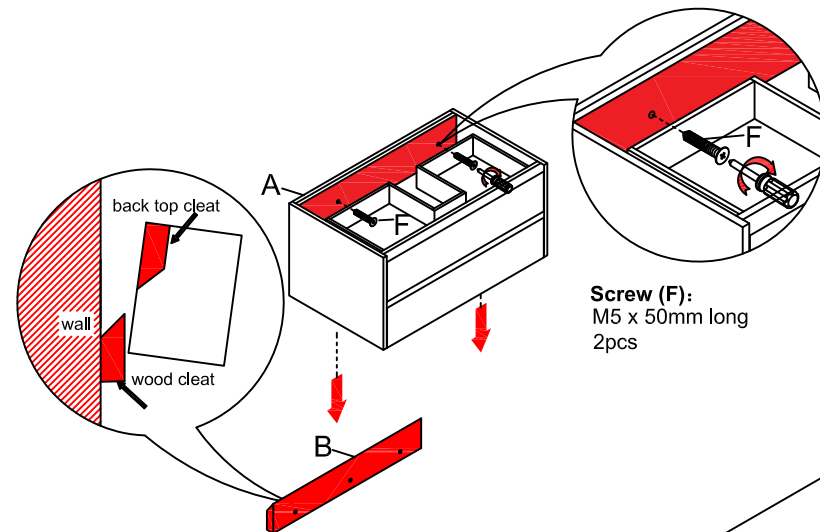


STEP 9: Install the **Metal Brackets (C)** to the wood studs by screw driver.

Screw (F):
M5 x 50mm long
6pcs



STEP 10: Hang the **Vanity (A)** to the wall and then connect the **Vanity (A)** to the **Wood Cleat (B)** with the 2 **Screws (F)** provided.

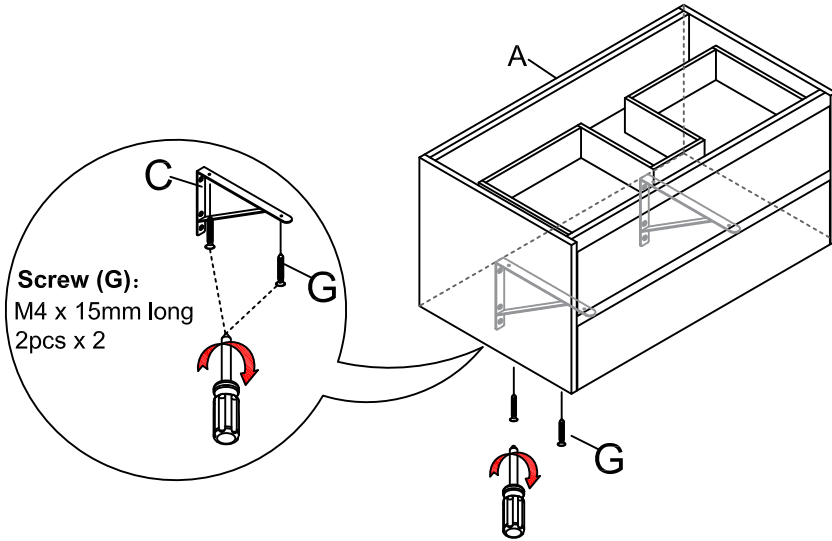


Screw (F):
M5 x 50mm long
2pcs

INSTALLATION INSTRUCTIONS

SKU: VA4821V6NW

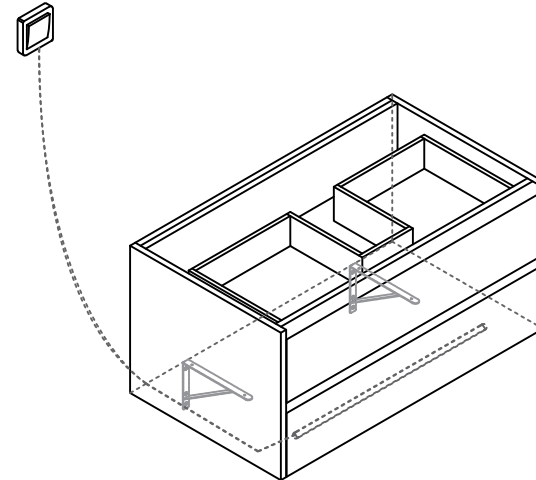
STEP 11: Connect the **Metal Brackets (C)** to the **Vanity (A)** with **Screws (G)**.



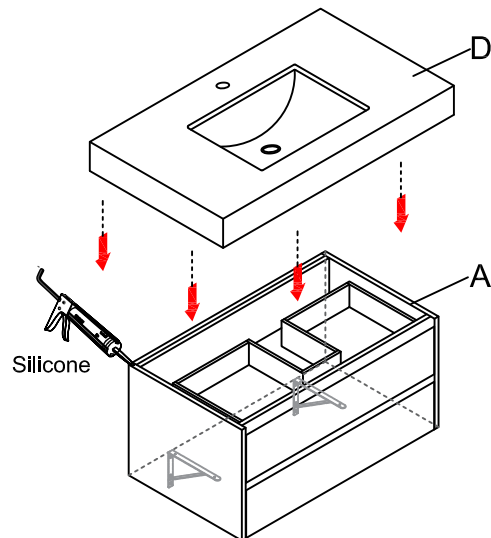
Confidential : A

PROHIBIT COPY

STEP 12: Connect the electrical wire to the wall switch for turning on/off.



STEP 13: Apply the silicone to the top of the **Vanity (A)** and then install the **Top (D)** onto the **Vanity (A)** with the help from another person.



STEP 14: Let the vanity sit for 24 hours before use.

