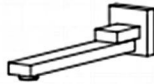
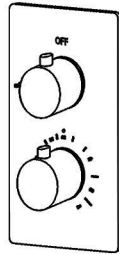
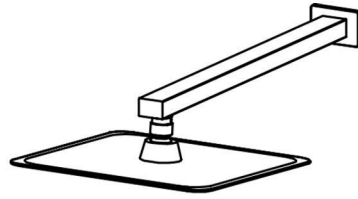


User's Manual



INSTALLATION INSTRUCTIONS

Installation Manual



IAPMO RESEARCH AND TESTING, INC.

5001 East Philadelphia Street, Ontario, California 91761-2816 • USA • 909-472-4100 • 909-472-4244 • www.iapmort.org



CERTIFICATE OF LISTING

IAPMO Research and Testing, Inc. is a product certification body which tests and inspects samples taken from the supplier's stock or from the market or a combination of both to verify compliance to the requirements of applicable codes and standards. This activity is coupled with periodic surveillance of the manufacturer's production process, including an annual factory audit, to ensure the approval of the Product Certification Committee, or any extension of the certification. This activity is subject to the requirements of the Uniform Plumbing Code and the International Residential Code as well as to the requirements of the supplier's Quality Assurance System. This listing is subject to the conditions set forth in the characteristics below and is not to be construed as any recommendation, assurance or guarantee by IAPMO Research and Testing, Inc. of the product compliance by Authorities Having Jurisdiction.

This certificate is not evidence of current listing. To verify listing status, visit the IAPMO R&T Product Listing Directory at pld.iapmo.org

Effective Date: December 2019 -Rev. 2/24/2020- Void After: December 2024

Product: Flexible Water Connectors File No. 5111

Issued To: Fanaki Group Inc.
Mechanical & Electrical
Industrial Zone,
Yuhuan County,
Yuhuan 317600, ZHEJIANG
China

Identification: Products shall be marked with manufacturer's name or trademark, a statement "For use with water in accessible locations only." The products shall also bear the cUPC® certification mark. Markings shall be by means of either a permanent mark on the product, a label on the product or a tag attached to the product.

Characteristics: Flexible water connectors manufactured in various sizes, lengths and metal and fittings for hot or cold water applications that consist of an inner tube, which may or may not have an outer braided cover. Connectors are to be installed for use in accessible locations only. To be installed in accordance with the manufacturer's instruction, and the latest edition of the Uniform Plumbing Code and National Plumbing Code of Canada.

Products listed on this certificate have been tested by an IAPMO R&T recognized laboratory. This recognition has been granted based upon the

Tom Collins Chairman, Product Certification Committee
Ran Cheng CEO, The IAPMO Group



IAPMO RESEARCH AND TESTING, INC.

5001 East Philadelphia Street, Ontario, California 91761-2816 • USA • 909-472-4100 • 909-472-4244 • www.iapmort.org



CERTIFICATE OF LISTING

IAPMO Research and Testing, Inc. is a product certification body which tests and inspects samples taken from the supplier's stock or from the market or a combination of both to verify compliance to the requirements of applicable codes and standards. This activity is coupled with periodic surveillance of the manufacturer's production process, including an annual factory audit, to ensure the approval of the Product Certification Committee, or any extension of the certification. This activity is subject to the requirements of the Uniform Plumbing Code and the International Residential Code as well as to the requirements of the supplier's Quality Assurance System. This listing is subject to the conditions set forth in the characteristics below and is not to be construed as any recommendation, assurance or guarantee by IAPMO Research and Testing, Inc. of the product compliance by Authorities Having Jurisdiction.

This certificate is not evidence of current listing. To verify listing status, visit the IAPMO R&T Product Listing Directory at pld.iapmo.org

Effective Date: November 2019 Void After: November 2024

Product: Plumbing Fixture Fittings File No. 10613

Issued To: Aqua Gallery Co., Ltd
11th-13th A/D Block
International Dynamics
Sanitary City, 528000
Foshan,
China

Identification: Plumbing supply fittings complying with this Standard shall be marked with the manufacturer's recognized name, trademark, or other mark or, in the case of private labeling, the name, trademark or other mark of the customer for whom the fitting was manufactured. The marking shall be accomplished by use of a permanent mark or by placing a permanent label on the product. Markings on plumbing supply fittings shall be visible after installation.

Single-handle, single-control, and automatic compensating mixing bath and shower valves shall have identifiable temperature control settings in which the settings are indicated by words ("cold", "warm", "hot", etc.), by numbers, or graphically.

Package shall be marked with the manufacturer's name, trademark, or other mark as well as the model number or, in the case of private

Tom Collins Chairman, Product Certification Committee
Ran Cheng CEO, The IAPMO Group



IAPMO RESEARCH AND TESTING, INC.

5001 East Philadelphia Street, Ontario, California 91761-2816 • USA • 909-472-4100 • 909-472-4244 • www.iapmort.org



CERTIFICATE OF LISTING

IAPMO Research and Testing, Inc. is a product certification body which tests and inspects samples taken from the supplier's stock or from the market or a combination of both to verify compliance to the requirements of applicable codes and standards. This activity is coupled with periodic surveillance of the manufacturer's production process, including an annual factory audit, to ensure the approval of the Product Certification Committee, or any extension of the certification. This activity is subject to the requirements of the Uniform Plumbing Code and the International Residential Code as well as to the requirements of the supplier's Quality Assurance System. This listing is subject to the conditions set forth in the characteristics below and is not to be construed as any recommendation, assurance or guarantee by IAPMO Research and Testing, Inc. of the product compliance by Authorities Having Jurisdiction.

This certificate is not evidence of current listing. To verify listing status, visit the IAPMO R&T Product Listing Directory at pld.iapmo.org

Effective Date: March 2019 Void After: March 2024

Product: Plumbing Fixture Fittings - Components File No. MC-9703

Issued To: Ningbo Nandai Cartridge Technology Co., Ltd.
Lianhua Zone, Chunmou
Fenghua 311038
China

Identification: Each fitting component shall bear permanent legible markings to identify the manufacturer. This marking shall be the trade name, trademark, or other mark known to identify the manufacturer. The product shall also bear all other markings required by the standards. The marking shall be applied so as to be visible after installation. The product or packaging shall also bear the cUPC® certification mark along with the term "COMPONENT" above.

Characteristics: Plumbing fixture fitting components to be installed in accordance with the manufacturer's instructions and the requirements of the latest edition of the Uniform Plumbing Code.

Products listed on this certificate have been tested by an IAPMO R&T recognized laboratory. This recognition has been granted based upon the Laboratory's compliance to the applicable requirements of ISO/IEC 17025.

Products are in compliance with the following code(s):
Uniform Plumbing Code (UPC®)

Tom Collins Chairman, Product Certification Committee
Ran Cheng CEO, The IAPMO Group

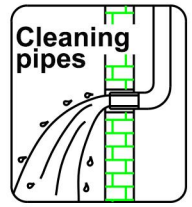


INSTALLATION STEPS

This product has been inspected and debugged by the factory to the best condition. Please do not disassemble and assemble it yourself.

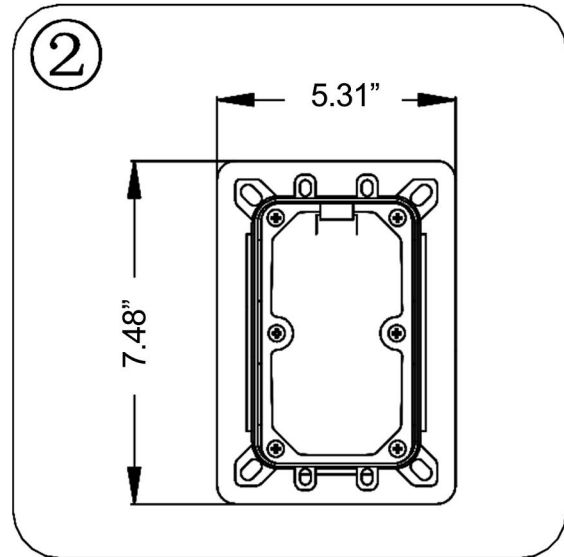
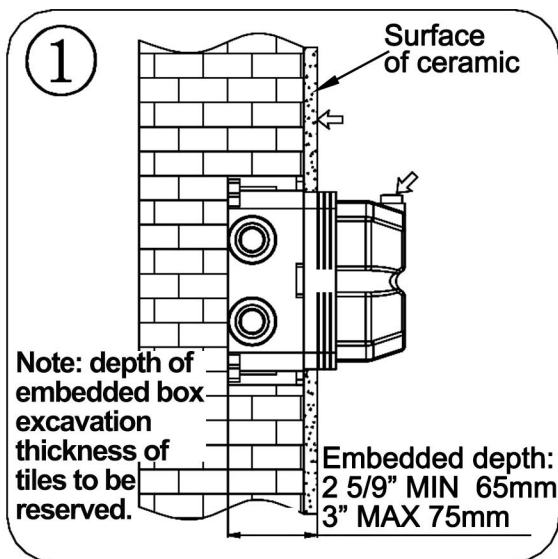


Before installing the product, please be sure to remove sundries and sludge from the water pipe to prevent sundries from blocking the product.



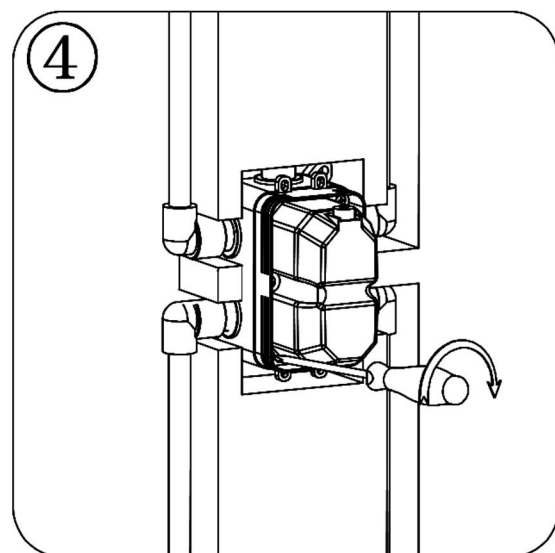
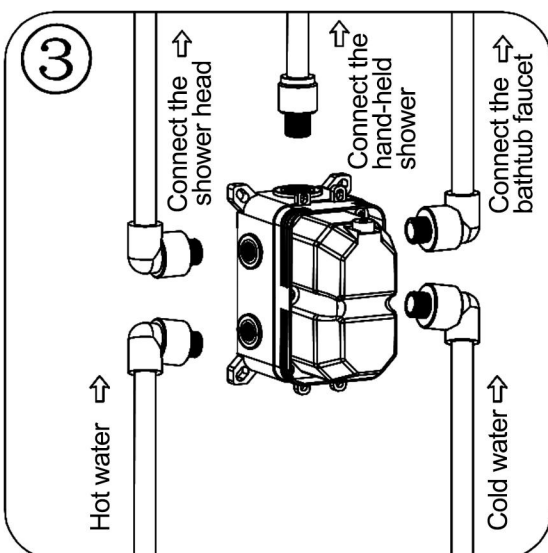
1. According to the basic size of the embedded box, use a special tool to open the main hole on the solid wall. The depth of the hole is shown in the figure. It should be considered that the distance between the surface of the wall after the final treatment and the bottom of the hole is between 2.55" and 2.95".

2. Reference reserved size 7.48X5.31"



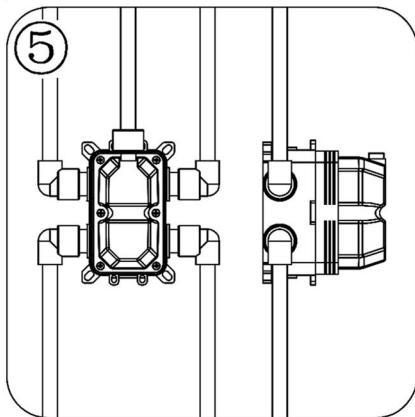
3. As shown in the figure, the inlet and outlet pipes should be embedded well, pay attention to the up and down, left and right directions on the embedded box.

4. Open the water source to test whether the right and left water inlet pipes are tightly connected without leakage, and adjust the inlet pipes after the test is completed. The flow switch is in the open state to test whether the upper mixed outlet pipe is tightly connected without leakage, at the same time, the water retention function is fixed on the solid wall with self-tapping screws according to the embedded box.

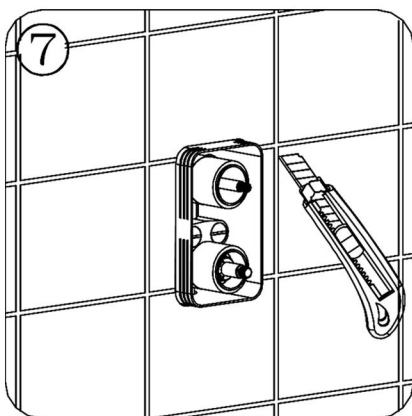


INSTALLATION STEPS

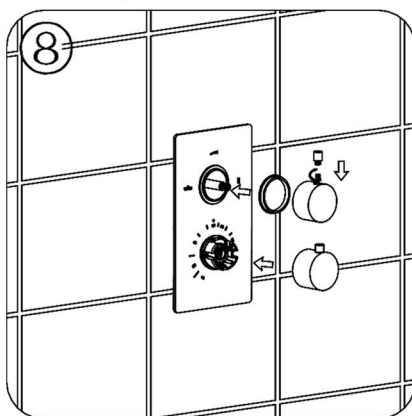
5. As shown in the figure, after the installation of the embedded box, it is necessary to make sure that the mercury is in the center of the level. If it is tilted, it will affect the installation effect of the panel.



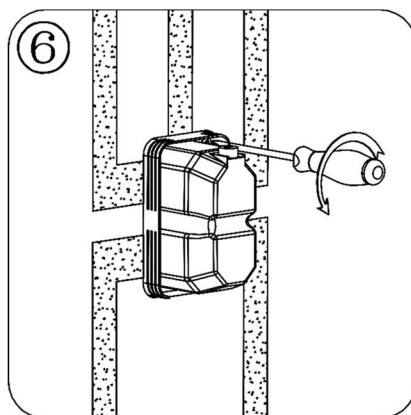
7. As shown in the figure, the leakage embedded box shall be removed, and the subsequent installation of control valve can be carried out after the wall room is laid.



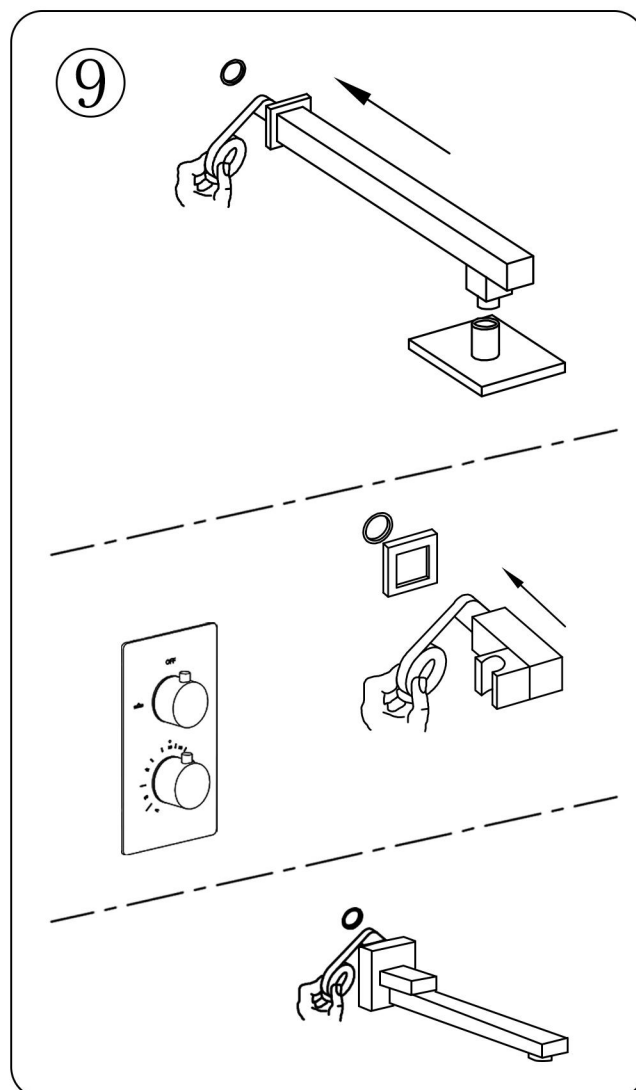
8. The notch of the upper hand wheel shall be inserted straight to the bottom, and the screw and hand wheel button shall be tightened; The lower hand wheel button is facing up, and the whole hand wheel is pressed to the end. When you hear the sound, you can finish it.



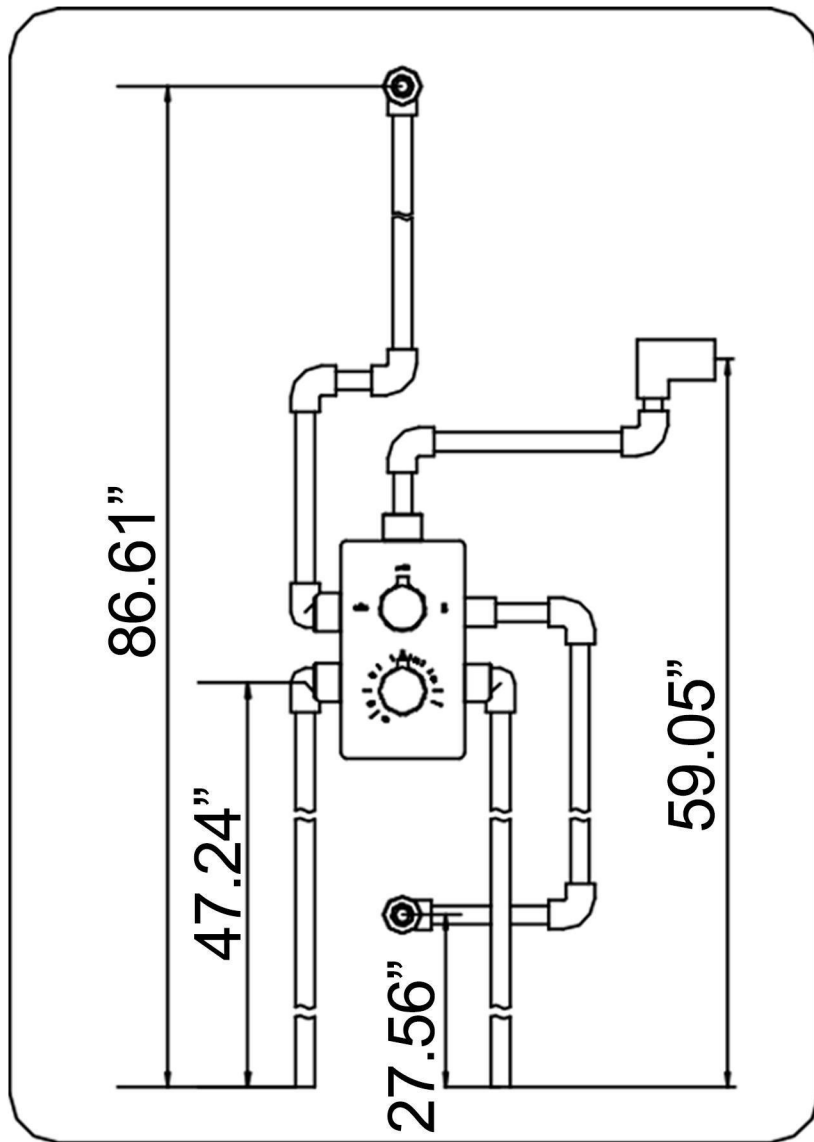
6. Once again, make sure that the pipe connection is correct and there is no leakage in the water test. After the other embedded components of the shower are installed, the embedded box and the pipeline are sealed and fixed with fillers. At this point, the installation of the solid wall embedded box is completed, and the installation cover of the level meter is removed.



9. Install shower arm and shower head. Install lower outlet pipe. (wrap the PTFE tape on the thread).



INSTALLATION DIMENSION



The picture is for reference only, you can install it according to your own requirements.

CLEANING CARE

In order to keep the appearance of product clean, bright and good performance, please take care of the product as follows;

1. Rinse with water only and dry with soft cotton cloth;
2. Use mild liquid and colorless glass cleaner to remove surface dirt and scale film, or use polish without abrasive effect;
3. Do not use abrasive detergent, polish, emery cloth, paper towel or scraper, etc;
4. Do not use acid cleaner, or cleaner and soap with insoluble gran etc;
5. In the process of use, mud may accumulate in the bubbler and make the water flow slow, The bubbler can be unscrewed, rinsed with water, and then installed back in place.



