

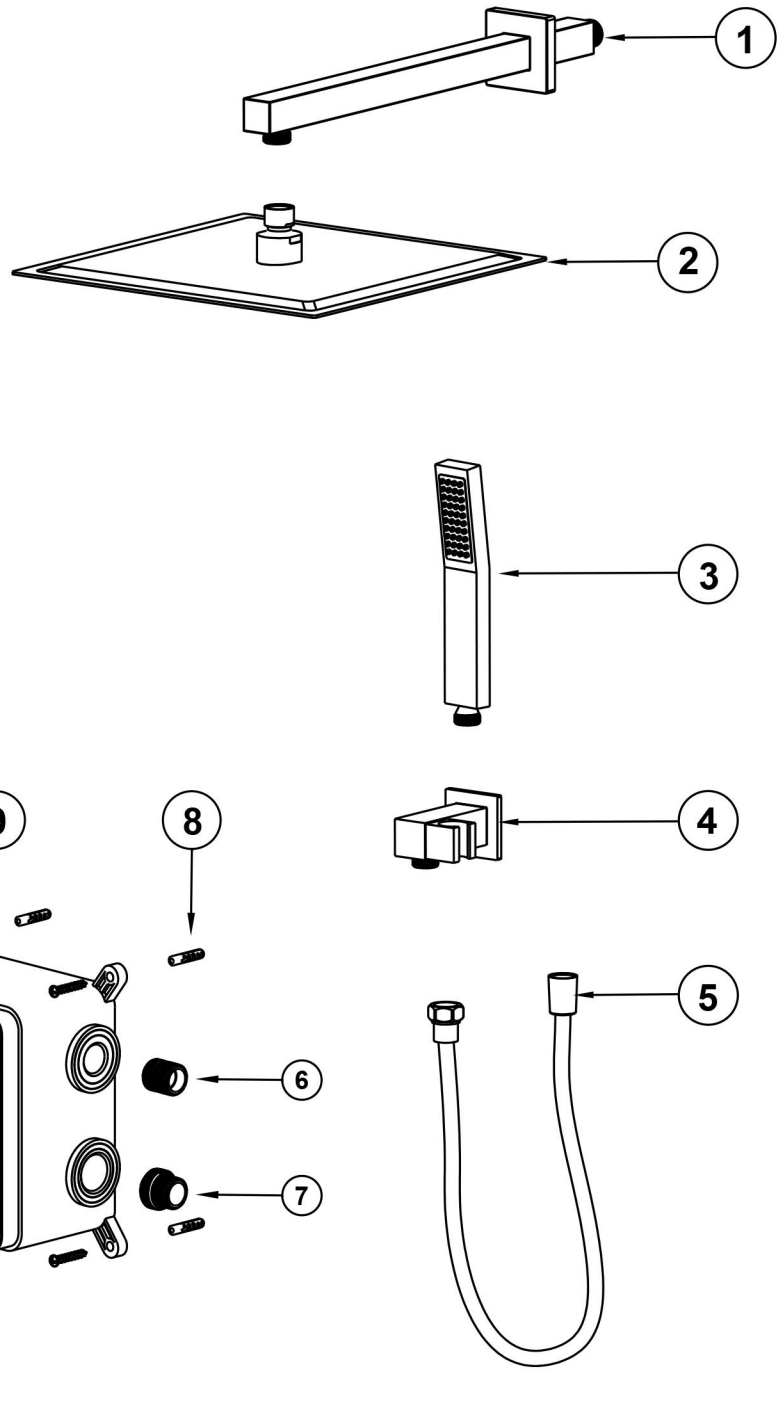
# User's Manual





# BEFORE INSTALLATION

NO.	Item	Qty
1	Shower arm	1
2	Rain shower head	1
3	Hand shower	1
4	Hand shower bracket	1
5	Shower hose	1
6	1/2NPT-1/2NPT Connector	2
7	3/4NPT-1/2NPT Connector	2
8	Swell plastic button	4
9	Main body(Including embedded box)	1
10	Tapping screw	4
11	Cover plate	1
12	Diverter	1
13	Screw(hexagonal)	1
14	Decorative button	1



## Check accessories

### Standard List of Accessories:

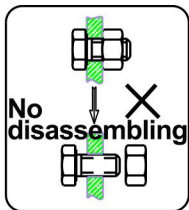
When you open the product packaging, please check whether the objects in it are consistent with the main body and accessories you purchased. If there is any inconsistency, please contact our company or our distributor.

Note: 1. Accessories are subject to change without prior notice if the change does not affect usage;

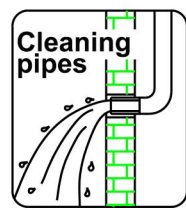
2. The appearance of the product is subject to the physical objects you receive, and the schematic diagram is only for reference.

# INSTALLATION STEPS

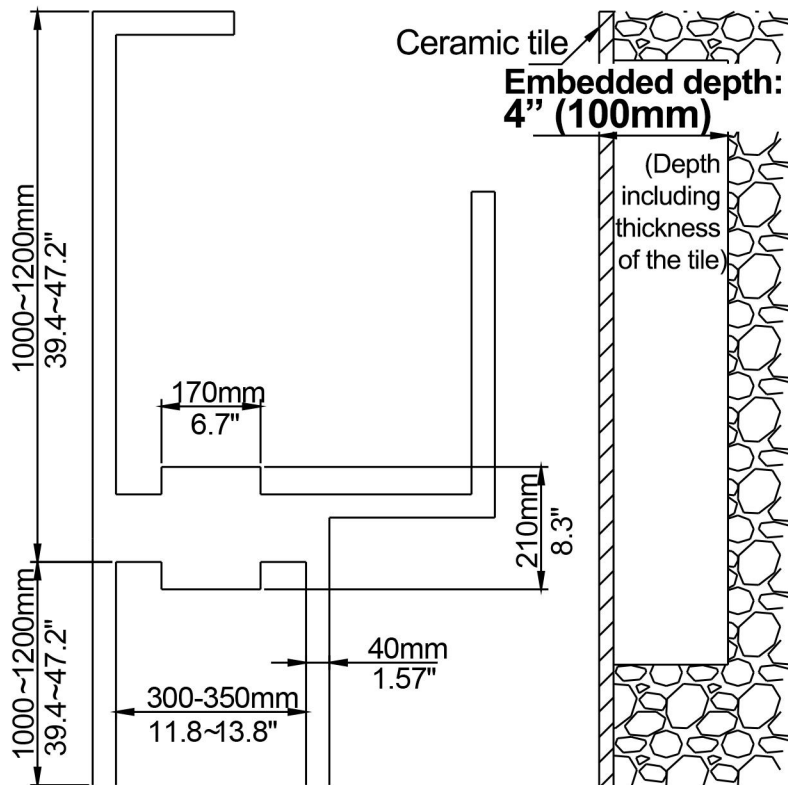
This product has been inspected and debugged by the factory to the best condition. Please do not disassemble and assemble it yourself.



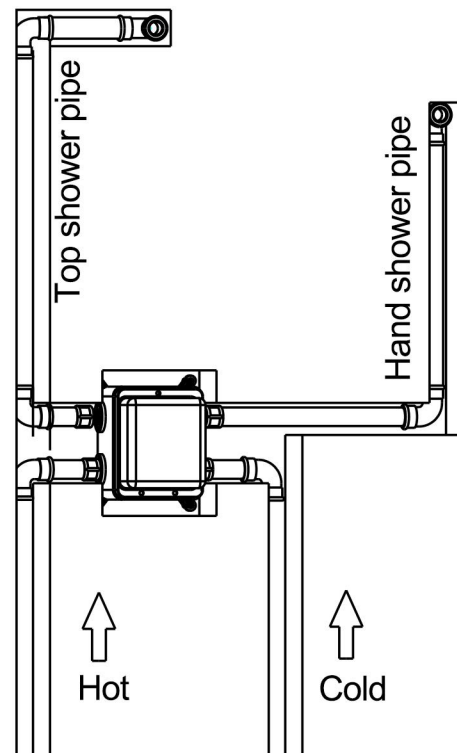
Before installing the product, please be sure to remove sundries and sludge from the water pipe to prevent sundries from blocking the product.



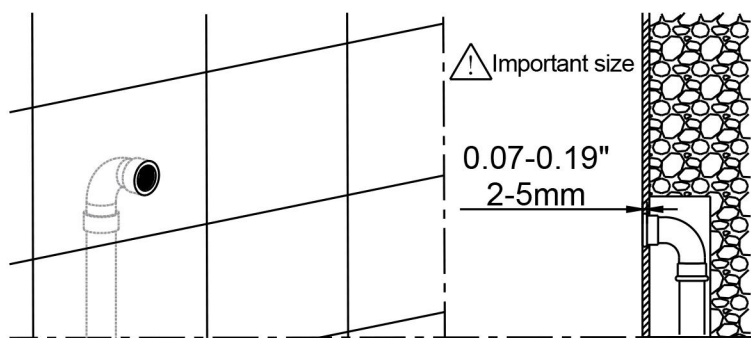
1. Dig pipe grooves for pre-burying pipes.



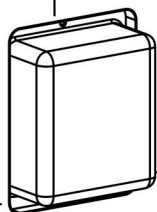
2. Install the main body, water inlet and outlet pipes.



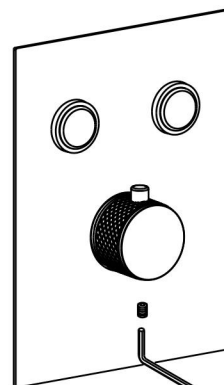
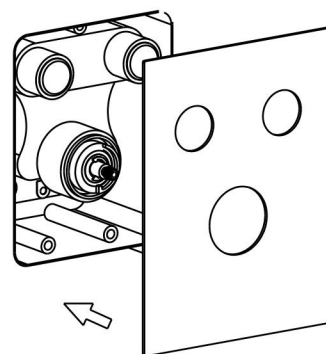
3. Stick tiles, Please note that the outlet should be slightly lower than the surface of the tiles.



The tiles should be parallel and level with the embedded box, or slightly 1~2mm higher.

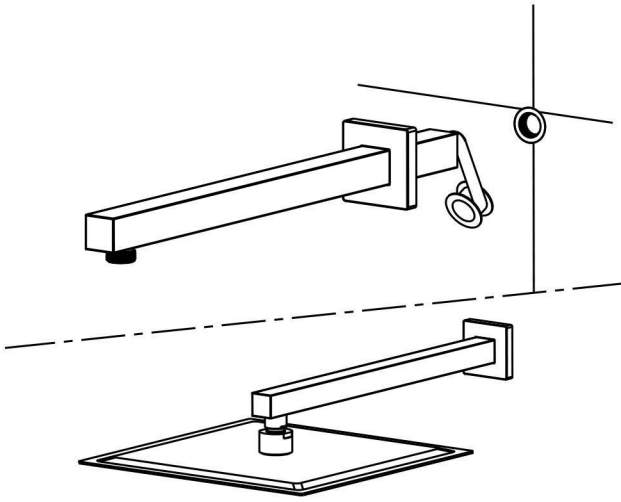


4. Stick the tiles, remove the protecting cover, install the cover plate and diverter.



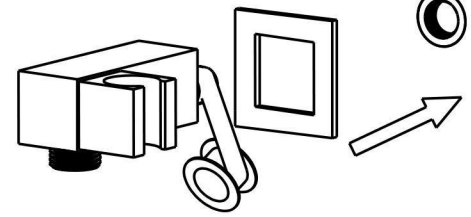
# INSTALLATION STEPS

5. Install shower arm and rain shower head.  
(Wrap the PTFE tape around the thread)

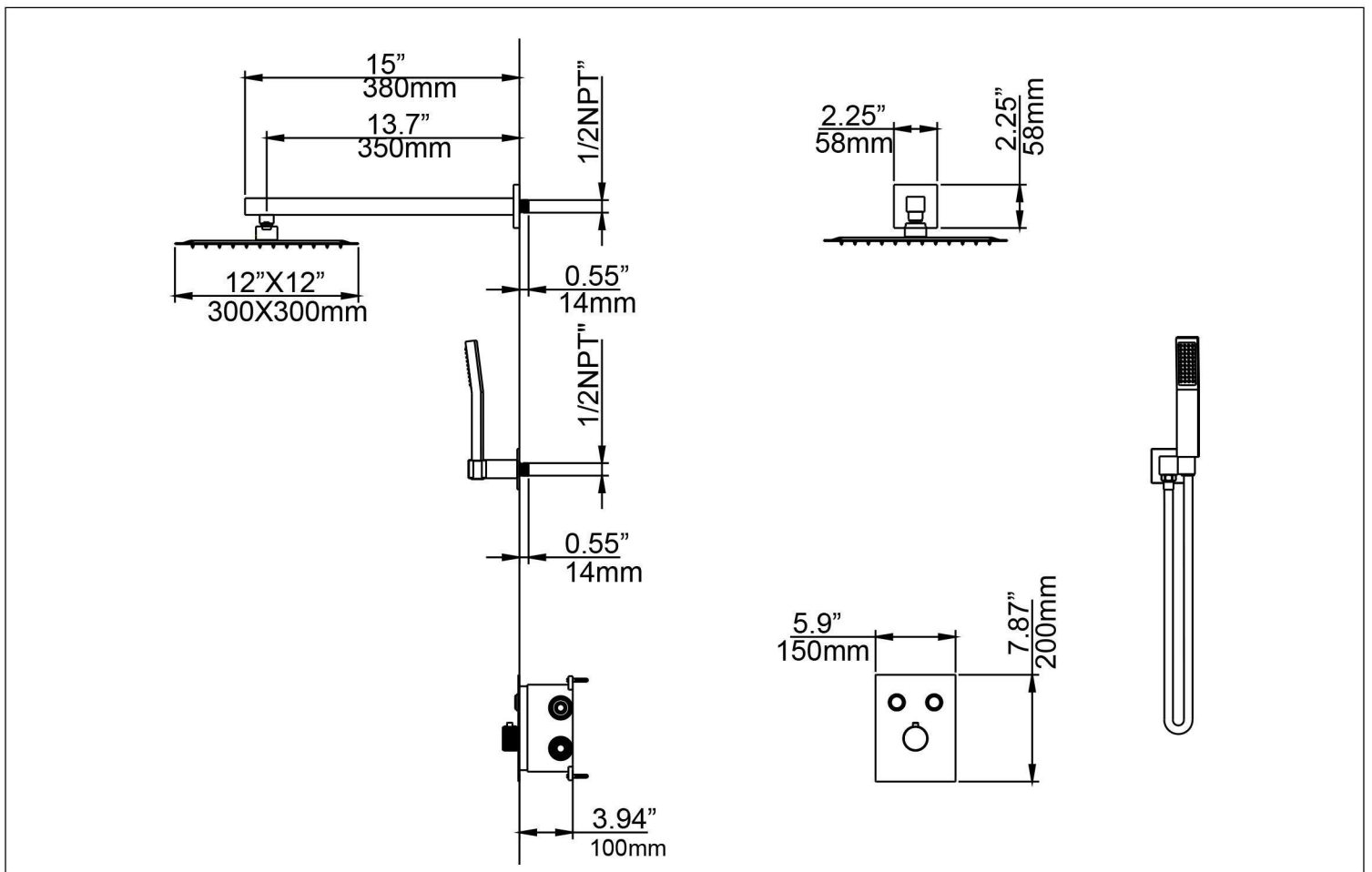


6. Install hand shower bracket.  
(Wrap the PTFE tape around the thread)

(The outlet should be flush with the tile's surface).



## INSTALLATION DIMENSION



## CLEANING CARE

In order to keep the appearance of product clean, bright and good performance, please take care of the product as follows;

1. Rinse with water only and dry with soft cotton cloth;
2. Use mild liquid and colorless glass cleaner to remove surface dirt and scale film, or use polish without abrasive effect;
3. Do not use abrasive detergent, polish, emery cloth, paper towel or scraper, etc;
4. Do not use acid cleaner, or cleaner and soap with insoluble gran etc;
5. In the process of use, mud may accumulate in the bubbler and make the water flow show, The bubbler can be unscrewed, rinsed with water, and then installed back in place.



