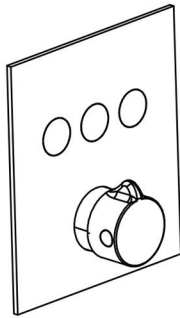
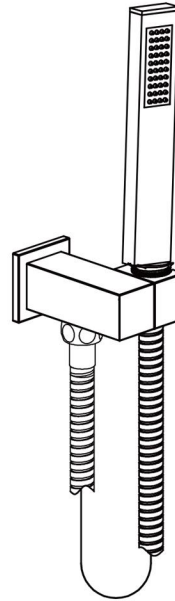
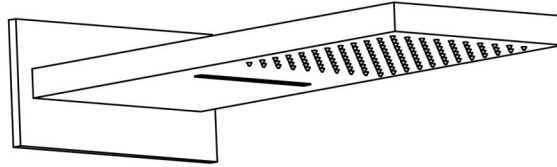


# User's Manual



# INSTALLATION INSTRUCTIONS

## Installation Manual



# RB0806

**IAPMO RESEARCH AND TESTING, INC.**  
5001 East Philadelphia Street, Ontario, California 91761-2816 • (909) 472-4100 Fax (909) 472-4244 • www.iapmo.org

### CERTIFICATE OF LISTING

**UPC**

**C**

The most updated information on this Certificate of Listing is available online at [pld.iapmo.org](http://pld.iapmo.org)

Effective Date: August 2013      Void After: August 2016

Product: Plumbing Fixture Fittings      File No. 6137

Issued To: **Haiping Heart Cartridge Co., Ltd.**  
No. 28 Heilman Dong Road,  
Shilong Town,  
Haiping City, GUANGDONG  
China

Identification: Plumbing supply fittings complying with this Standard shall be marked with the manufacturer's recognized name, trademark, or other mark or, in the case of private labeling, the name, trademark, or other mark of the customer for whom the fitting was manufactured. The marking shall be accomplished by use of a permanent mark or by placing a permanent label on the product. Markings on plumbing supply fittings shall be visible after installation.

Single-handle, single-control, and automatic compensating mixing bath and shower valves shall have identifiable temperature control settings in which the settings are indicated by words ("cold", "warm", "hot", etc.), by numbers, or graphically.

Packages shall be marked with the manufacturer's name, trademark, or other mark as well as the model number or, in the case of private labeling, the name, trademark, or mark of the customer for whom the fitting was manufactured as well as the model number.

*David McHenry*  
Chairman, Product Certification Committee

*Ross Cheney*  
CEO, The IAPMO Group

This listing period is based upon the last date of the month indicated on the Effective Date and Void After Date shown above. Any change in material, manufacturing process, marking or design without having first obtained the approval of the Product Certification Committee, or any violation of manufacturing and applicable code and standards, shall be deemed sufficient cause for revocation of this listing. Production of or reference to this form for advertising purposes may be made only by specific written permission of IAPMO Research and Testing, Inc. Any alteration of this certificate shall be grounds for revocation of this listing. This document shall be reproduced in its entirety.

**IAPMO RESEARCH AND TESTING, INC.**  
5001 East Philadelphia Street, Ontario, California 91761-2816 • (909) 472-4100 Fax (909) 472-4244 • www.iapmo.org

### CERTIFICATE OF LISTING

**UPC**

**C**

The most updated information on this Certificate of Listing is available online at [pld.iapmo.org](http://pld.iapmo.org)

Effective Date: October 2016      -Rev. 11/28/2016-      Void After: October 2017

Product: Flexible Water Connectors      File No. 4955

Issued To: **Tuhan Jianglin Plumbing Hose & Parts Co., Ltd.**  
Fuzhou Industry Zone  
Tuhuan County  
Chengyang 317400,  
China

Identification: Manufacturer's name or trademark and UPC® certification mark. Special note on label: "For use with water in exposed locations only."

Characteristics: Flexible water connectors manufactured in various sizes, lengths and metal and fittings for hot or cold water applications that consist of an inner tube, which may or may not have an outer braided cover. Connectors are to be installed for use in accessible locations only and in accordance with the manufacturer's instruction, and the latest edition of the Uniform Plumbing Code.

Products listed on this certificate have been tested by an IAPMO R&T recognized laboratory. This recognition has been granted based upon the laboratory's compliance to the applicable requirements of ISO/IEC 17025.

Products are in compliance with the following code(s):  
Uniform Plumbing Code (UPC®)

*David McHenry*  
Chairman, Product Certification Committee

*Ross Cheney*  
CEO, The IAPMO Group

This listing period is based upon the last date of the month indicated on the Effective Date and Void After Date shown above. Any change in material, manufacturing process, marking or design without having first obtained the approval of the Product Certification Committee, or any violation of manufacturing and applicable code and standards, shall be deemed sufficient cause for revocation of this listing. Production of or reference to this form for advertising purposes may be made only by specific written permission of IAPMO Research and Testing, Inc. Any alteration of this certificate shall be grounds for revocation of this listing. This document shall be reproduced in its entirety.

**IAPMO RESEARCH AND TESTING, INC.**  
5001 East Philadelphia Street, Ontario, California 91761-2816 • (909) 472-4100 • (909) 472-4244 • www.iapmo.org

### CERTIFICATE OF LISTING

**UPC**

**C**

The most updated information on this Certificate of Listing is available online at [pld.iapmo.org](http://pld.iapmo.org)

Effective Date: November 2016      -Rev. 3/1/2017-      Void After: November 2017

Product: Plumbing Fixture Fittings      File No. 4528

Issued To: **Heppert, Inc.**  
171 Mattatuck Heights  
Hartford, CT 06105

Identification: Each fitting component shall bear permanent legible markings to identify the manufacturer. This marking shall be the trade name, trademark, or other mark known to identify the manufacturer. The product shall also bear all other markings required by the standard. The marking shall be located where it can be readily seen after installation is complete. The product or packaging shall also bear the UPC® certification mark.

Characteristics: Plumbing fixture fitting components to be installed in accordance with the manufacturer's instructions and the requirements of the latest edition of the Uniform Plumbing Code.

Products listed on this certificate have been tested by an IAPMO R&T recognized laboratory. This recognition has been granted based upon the laboratory's compliance to the applicable requirements of ISO/IEC 17025.

Products are in compliance with the following code(s):  
Uniform Plumbing Code (UPC®)  
National Plumbing Code of Canada

*Tom Collins*  
Chairman, Product Certification Committee

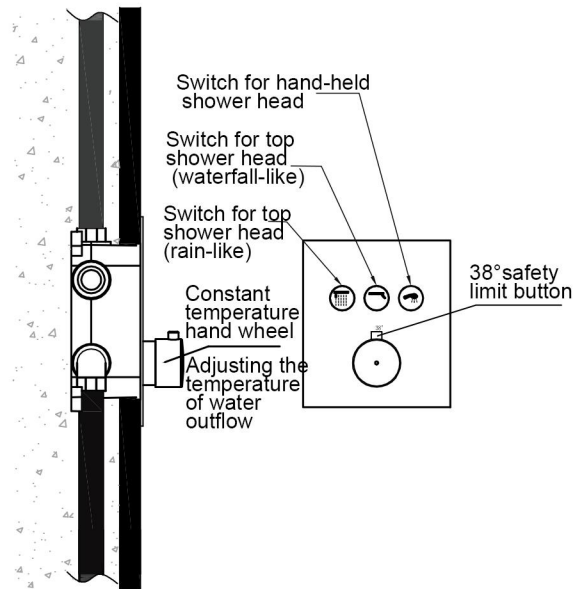
*Ross Cheney*  
CEO, The IAPMO Group

This listing period is based upon the last date of the month indicated on the Effective Date and Void After Date shown above. Any change in material, manufacturing process, marking or design without having first obtained the approval of the Product Certification Committee, or any violation of manufacturing and applicable code and standards, shall be deemed sufficient cause for revocation of this listing. Production of or reference to this form for advertising purposes may be made only by specific written permission of IAPMO Research and Testing, Inc. Any alteration of this certificate shall be grounds for revocation of this listing. This document shall be reproduced in its entirety.

# BEFORE INSTALLATION

## Usage

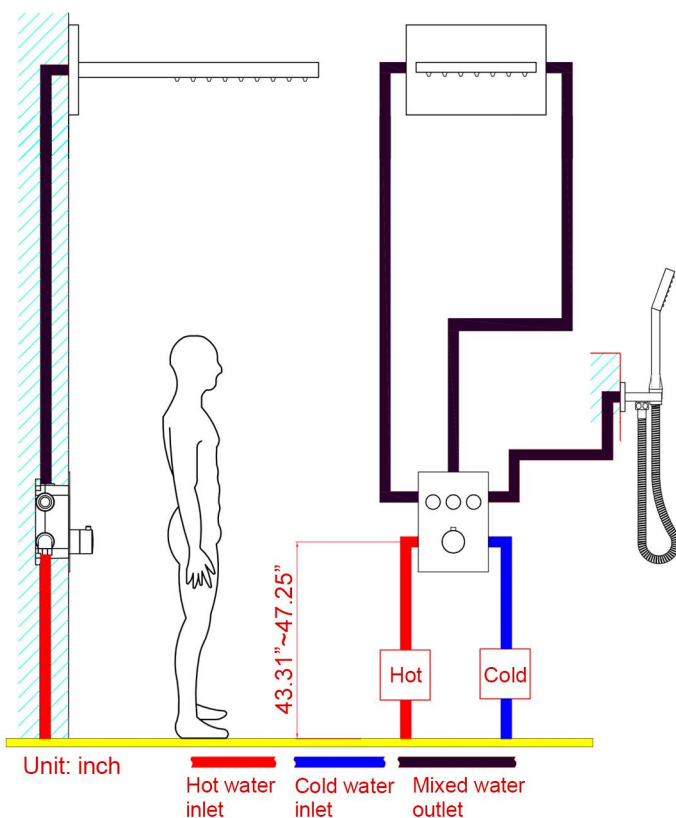
As shown in the right, the water outflow can be turned on or off independently by the switch button, and the water temperature can be adjusted by the constant temperature hand wheel on the right.



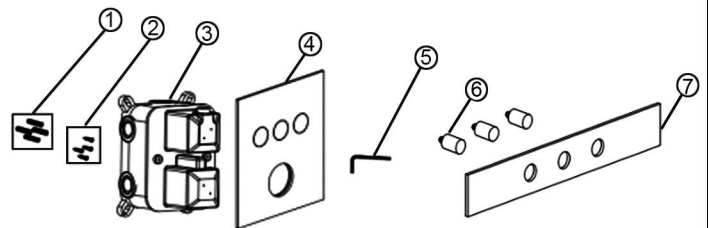
## Notes

1. The valve core of the main body has been tested and adjusted by the manufacturer. Please do not disassemble and install it by yourself.
2. Hot water temperature 55-80 °C (recommended 65 °C), cold water temperature 5-29 °C (recommended 15 °C).
3. Cold water should be connected to the main body on the side marked with "C", and hot water on the side marked with "H". Reversed connection is strictly prohibited. The water pressure at the cold and hot water inlet should not vary too much (pressure difference between the two ends  $\leq 20\%$ ).
4. The working water pressure of the valve core is 0.1-0.5 MPa (including the pressure of cold or hot water). Working water pressure of 0.3 MPa is recommended to use. A pressure reducing valve should be installed on the pipeline when the working water pressure exceeds 0.5 MPa.
5. The temperature displayed on the constant temperature handwheel is adjusted under the specific water temperature condition in the factory. The product may be different as the working water temperature changes. The difference of  $\pm 2$  °C is normal. If there is large difference, it should be adjusted by professional personnel.

## Piping Diagram



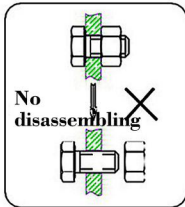
## Installation of Main Body Parts list



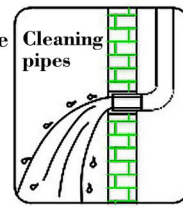
NO.	Name	Quantity
1	Expansible colloidal particle	4
2	Self-tapping screw	4
3	Pre-embedded main body	1
4	Decorative panel	1
5	2.5mm hexagon wrench	1
6	Extension rod	3
7	Locating plate	1

# INSTALL THE SHOWER VALVE BODY

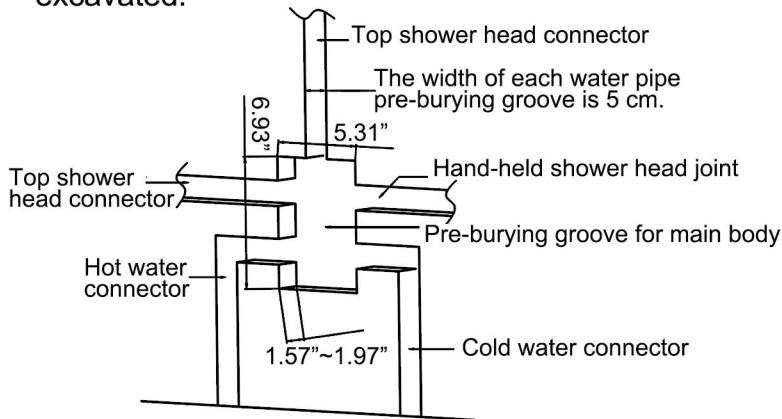
This product has been inspected and debugged by the factory to the best condition. Please do not disassemble and assemble it yourself.



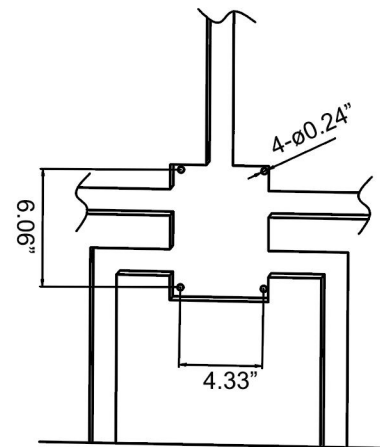
Before installing the faucet, please be sure to remove sundries and sludge from the water pipe to prevent sundries from blocking the faucet.



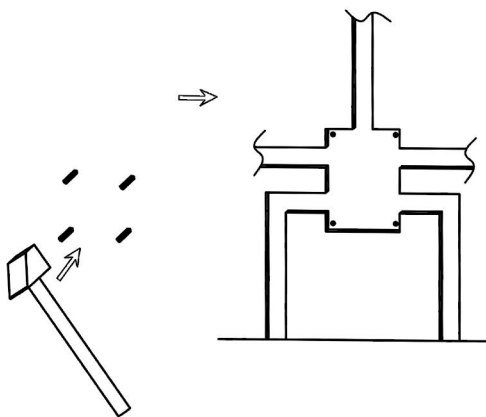
1. According to the basic size of the product (with reference to the figure above), the pre-embedded grooves of main body, inlets of hot and cold water and mixed water outlets and joints should be excavated.



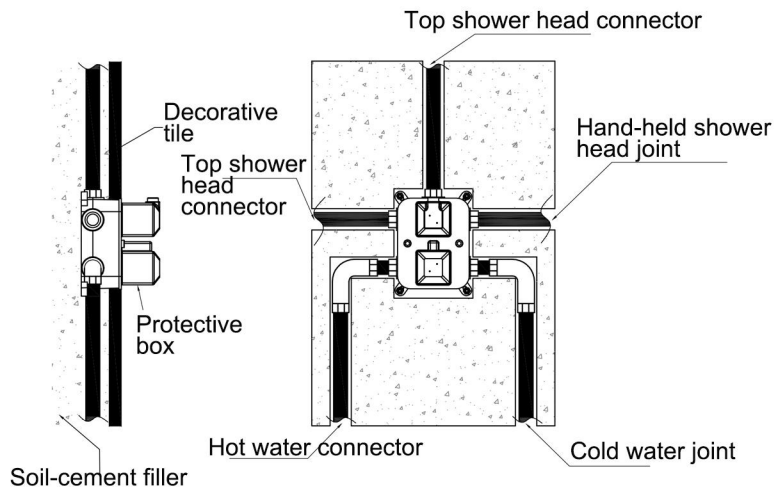
2. Drill four 6-mm holes with percussion drill according to the product size.



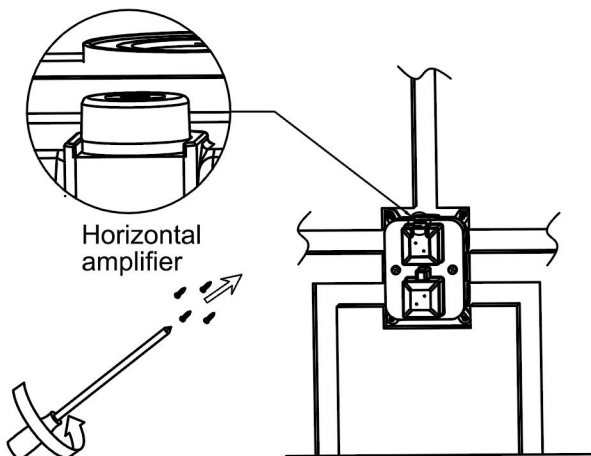
3. Drive 4 expansible colloidal particles into the drilled holes with hammer.



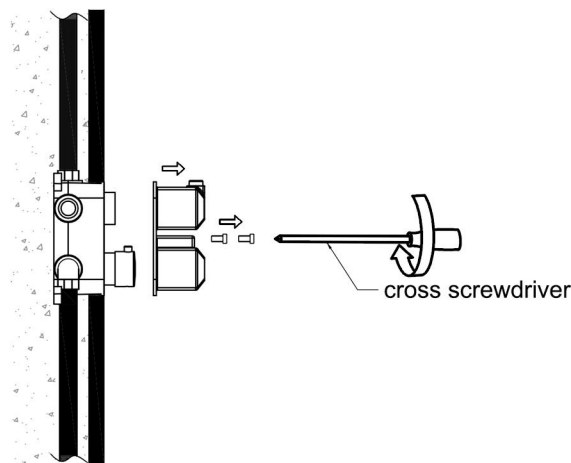
4. Each pipe should be linked and connected to water to confirm there is no leakage.



5. Adjust the pre-embedded main body to the horizontal line and fix the main body on the wall with four self-tapping screw and a cross screwdriver. Seal the pipeline with cement filler.



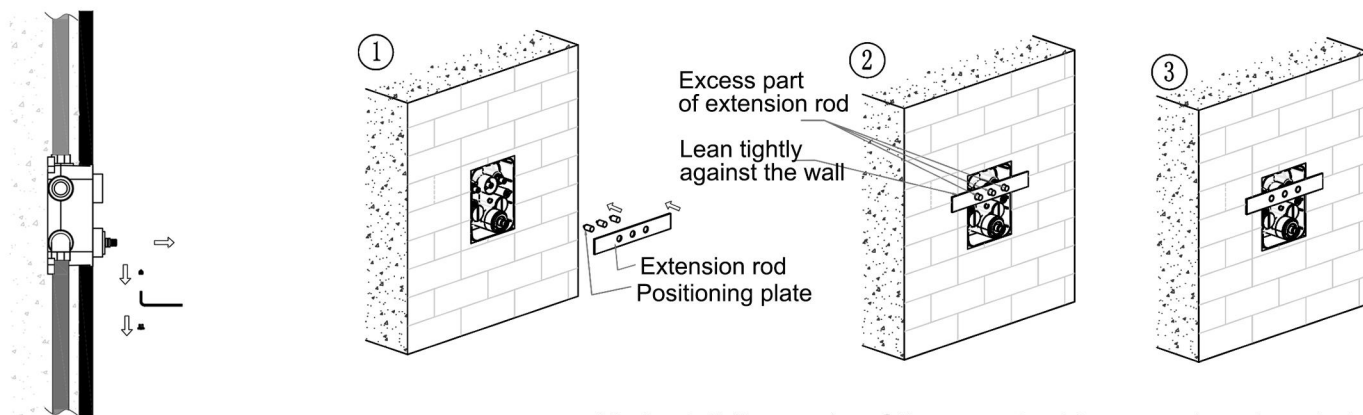
6. Loosen the two M5 screws on the sheath counterclockwise with a cross screwdriver and remove the sheath.



# INSTALL THE SHOWER VALVE BODY

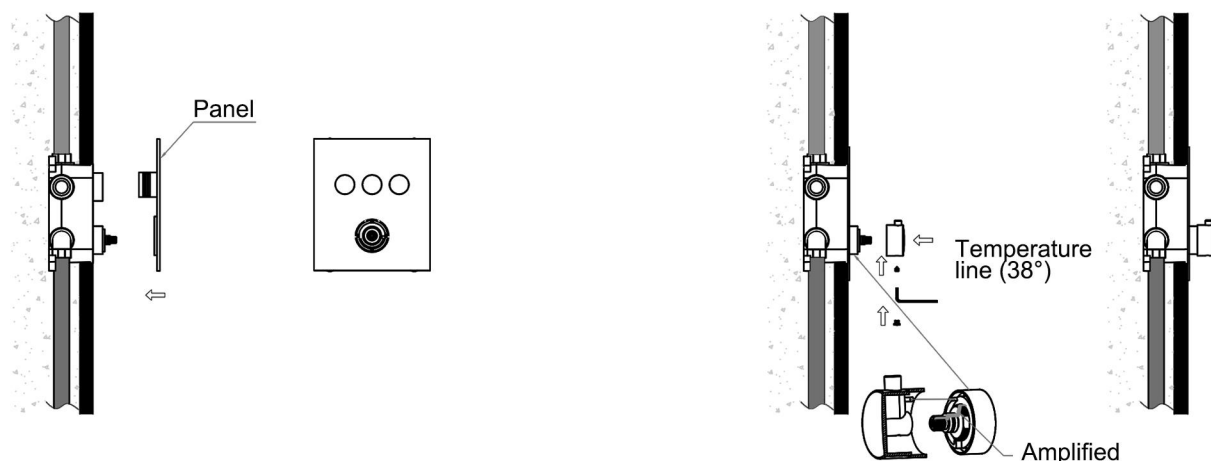
7. First, take out the color button of the constant temperature handwheel; then loosen the main body of the handwheel counterclockwise with the 2.5-mm hexagon wrench, and unload it. Do not rotate the constant temperature handwheel when taking it out. Ensure that the button of the constant temperature handwheel is aligned with the 38-degree line on the panel.

8. Tighten the three extension rods on the valve core with button; then put the positioning plate on the surface of wall; cut off the redundant part by cutting machine or the blade along the outer plane of the extension rod of positioning plate; finally, remove the positioning plate again (as shown in the figure).



9. Install the panel on the main body in a balanced manner.

10. Install the parts of the constant temperature handwheel on the main body in the opposite direction of unloading. (please ensure that the valve core does not rotate when installing the constant temperature hand wheel and the direction of the button is aligned with the direction of the outlet pipe.)

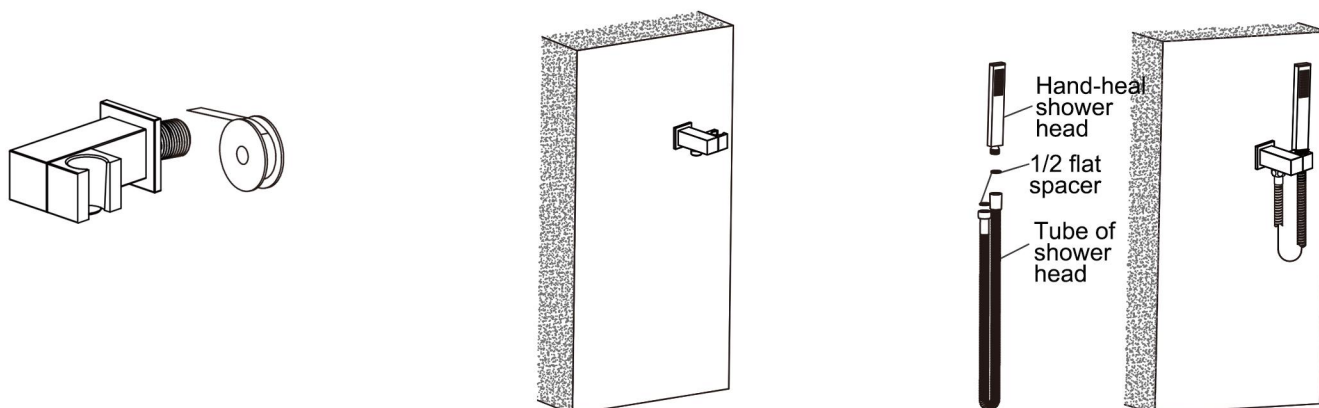


# INSTALLATION OF THE HANDSHOWER

1. Wrap the PTFE tape on the 1/2 thread of the stand for shower head.

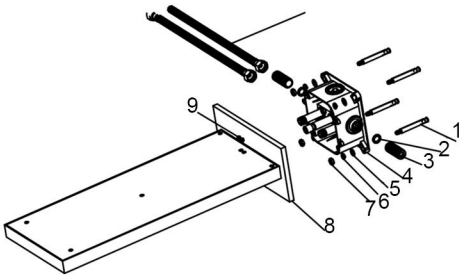
2. Screw the stand for shower head clockwise on the outlet hole of the water outlet.

3. Connect the water outlet of the stand for shower head with the tube of shower head, and put the hand-held shower head in the stand.



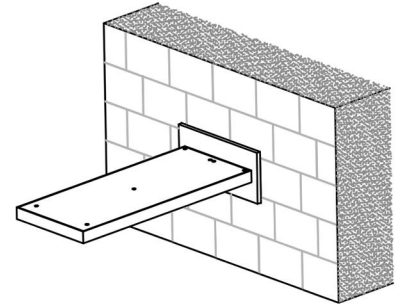
# INSTALLATION OF RAIN SHOWER HEAD

## Parts list



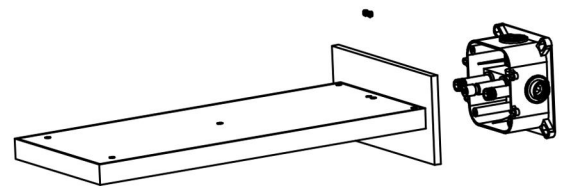
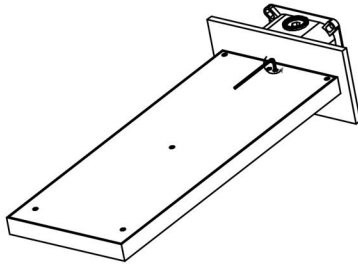
NO.	Name	Qty	NO.	Name	Qty
1	Explosive bolt	4	6	Spring spacer	4
2	1/2 spacer	2	7	Locknut	4
3	Joint of connecting pipe	2	8	Parts of shower head	1
4	Pre-embedded main body	1	9	M6X8 screw	2
5	Spacer	4	10	20CM connecting pipe	2

## Sketchy diagram



1. When customer receives the product, loosen the M6X8 screw with an Allen key as shown above.

2. Then separate the parts of the shower head from the pre-burying main body.

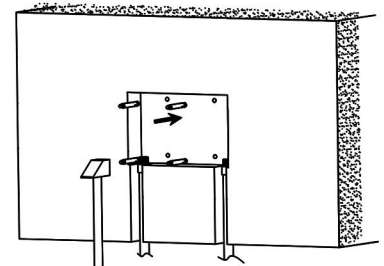
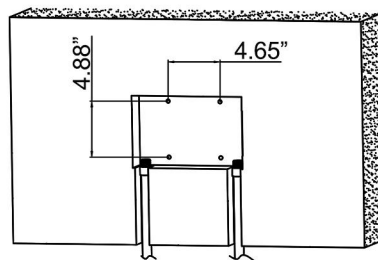
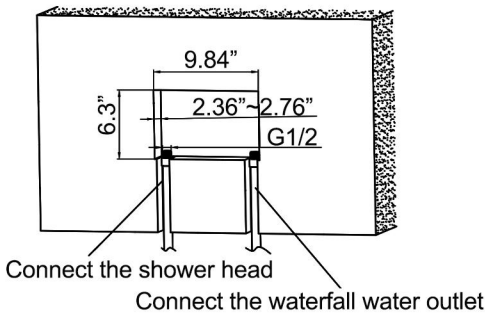


# INSTALLATION OF RAIN SHOWER HEAD

1. With reference of above size, excavate a pre-embedded groove in the appropriate position on the wall.

2. With reference of the basic size of the product, drill four Ø10 holes in the appropriate position on the wall.

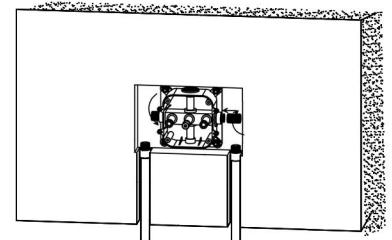
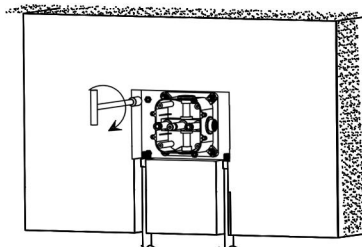
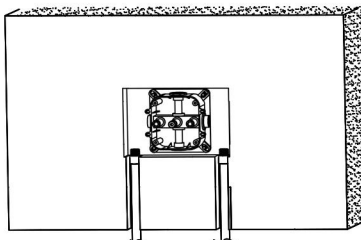
3. Drive four explosive bolts into the drilled holes with a hammer.



4. The pre-embedded body is supported by hand and installed on the four explosion bolts.

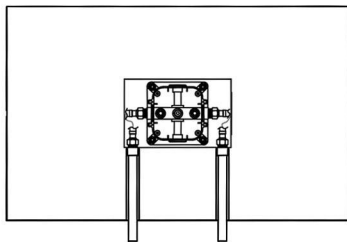
5. Install the spacer and spring spacer with the explosive bolt, and then lock the nut to the pre-embedded main body with the wrench and copper sleeve.

6. Put 1/2 flat spacer into the pre-embedded main body and tighten the water inlet joint.

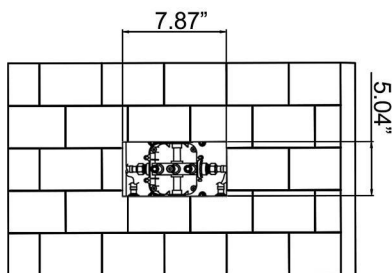


# INSTALLATION OF RAIN SHOWER HEAD

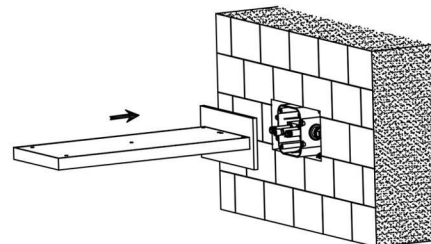
7. Connect the water pipe to the pre-embedded main body to confirm there is no leakage.



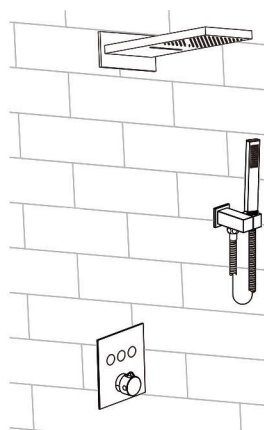
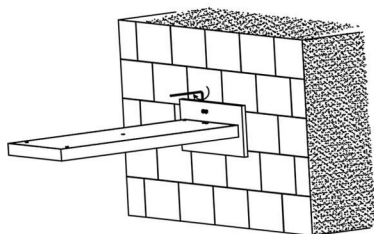
8. Tile or other decorative materials will be pasted on the wall and size shown above should be reserved.



9. Insert the parts of shower head into the pre-embedded main body according to the corresponding hole.



10. Tighten the parts of shower head with N6X8 screw and a hexagon wrench.



Finished.

## CLEANING CARE

1. To keep the surface of the product clean and bright, please wash it frequently:

- A. Rinse with water and dry with soft cotton cloth;
- B. Do not use abrasive detergent, emery cloth and sandpaper;
- C. Do not use any acid cleaner, polish, soap, coarse detergent, abrasive polish.

2. When the water outflow is reduced or the temperature is difficult to adjust, please follow the following steps to remove the impurities on the filter screen: (as shown above)

- A. Disassemble the inlet parts on both sides of the main body with tools;
- B. Brush the impurities attached to the filter screen on the backwater-proof inlet;
- C. Reinstall the parts sequentially, and then open the supply of cold and hot water on the body part.

