

# NOLAN 60"

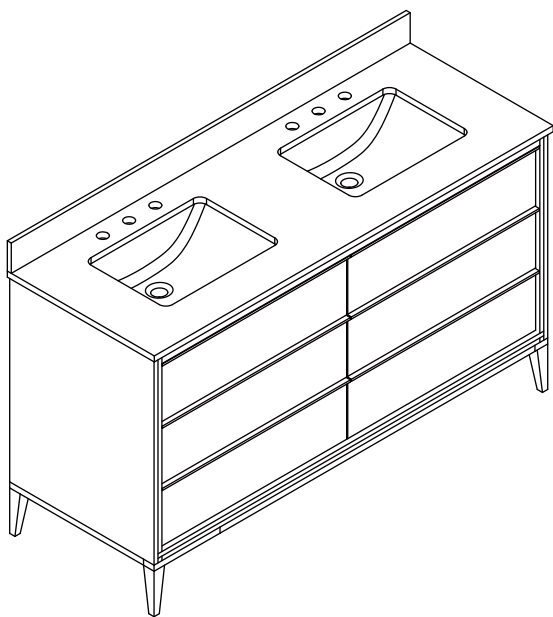
## BATHROOM VANITY SET

SKU: NOLAN60QZ-WT

NOLAN60QZ-OAK

Colors/Finishes: White, Light Oak

Nominal Dimension:60W\*22D\*35H inches



### VANITY FEATURES:

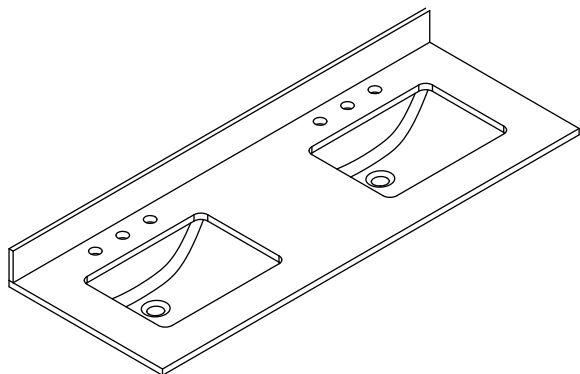
- 1.Material: Solid poplar wood frame, high-quality veneer plywood.
- 2.Drawers: 6 soft-close drawers, DTC concealed soft-close sliders.
- 3.Hardware: Metal alloy
- 4.Installation Type: Freestanding
- 5.Built-in Adjusters: Adjustable height levelers
- 6.Vanity Top: High-quality quartz/marble with single undermount sink
- 7.Assemble required: No
- 8.Vanity top Included: Yes
- 9.Mirror Included: Optional
- 10.Medicine Cabinet Included: Optional

### Contents

60"Vanity.....PAGE2

60"Vanity Top.....PAGE3

Vanity Installation.....PAGE4



### VANITY TOP FEATURES:

- 1.Material: Highly resilient, nonporous, scratch-and stain-resistant quartz,or natural Italian Carrera white marble.
- 2.Top Color: Carrera white
- 3.Sink: 2\*20"undermount rectangle sink
- 4.Faucet Hole s: Top pre-drilled for 8"widspread faucet holes
- 5.Sink Certified: CUPC certified
- 6.Backsplash: 4"backsplash included
- 7.Faucet Included: No
- 8.Nominal Dimension(W\*D\*H): 60W\*22D\*0.79H inches

# NOLAN 60"

## BATHROOM VANITY SET

SKU: NOLAN60QZ-WT

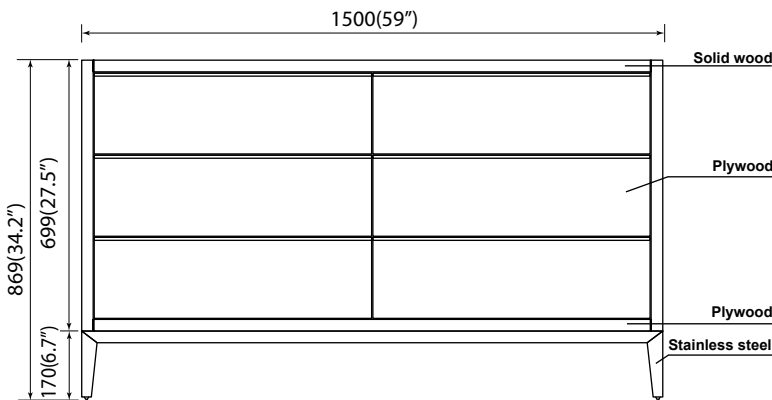
NOLAN60QZ-OAK

### COMPONENTS:

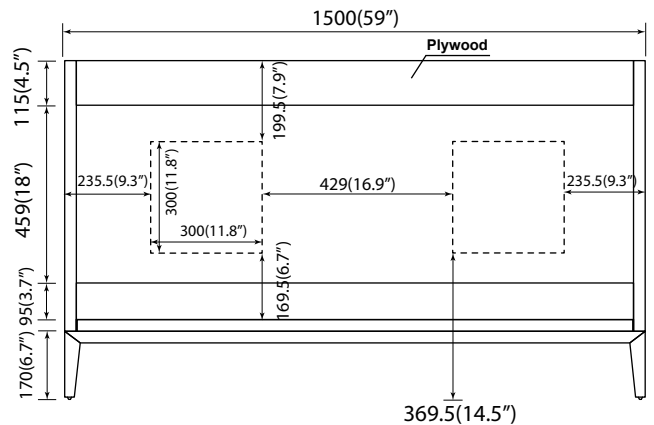
Vanity	NOLAN60QZ-WT	NOLAN60QZ-OAK
Vanity Top	QZ60CW20HD	QZ60CW20HD
Wall Mirror	W6MRL6028BG	W6MRL6028BG
Medicine Cabinet	W4MCL2430*2	W4MCL2430*2

### PRODUCT DIAGRAMS:

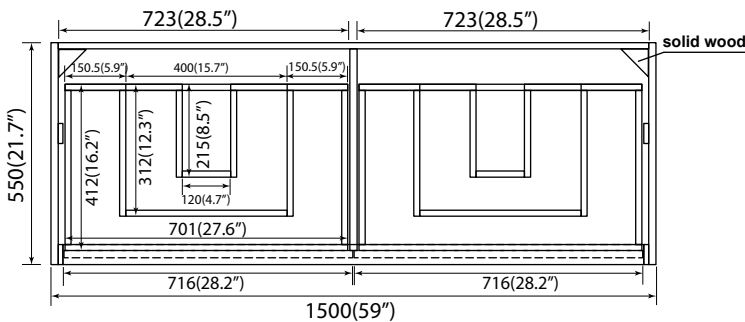
Front



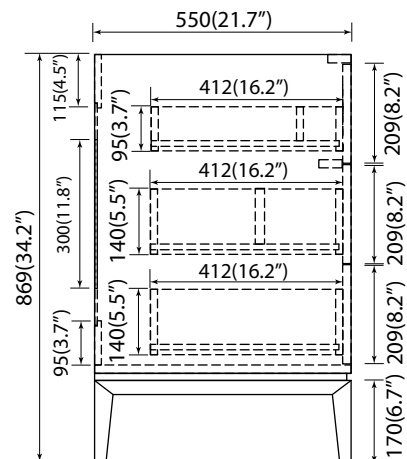
Back



Top



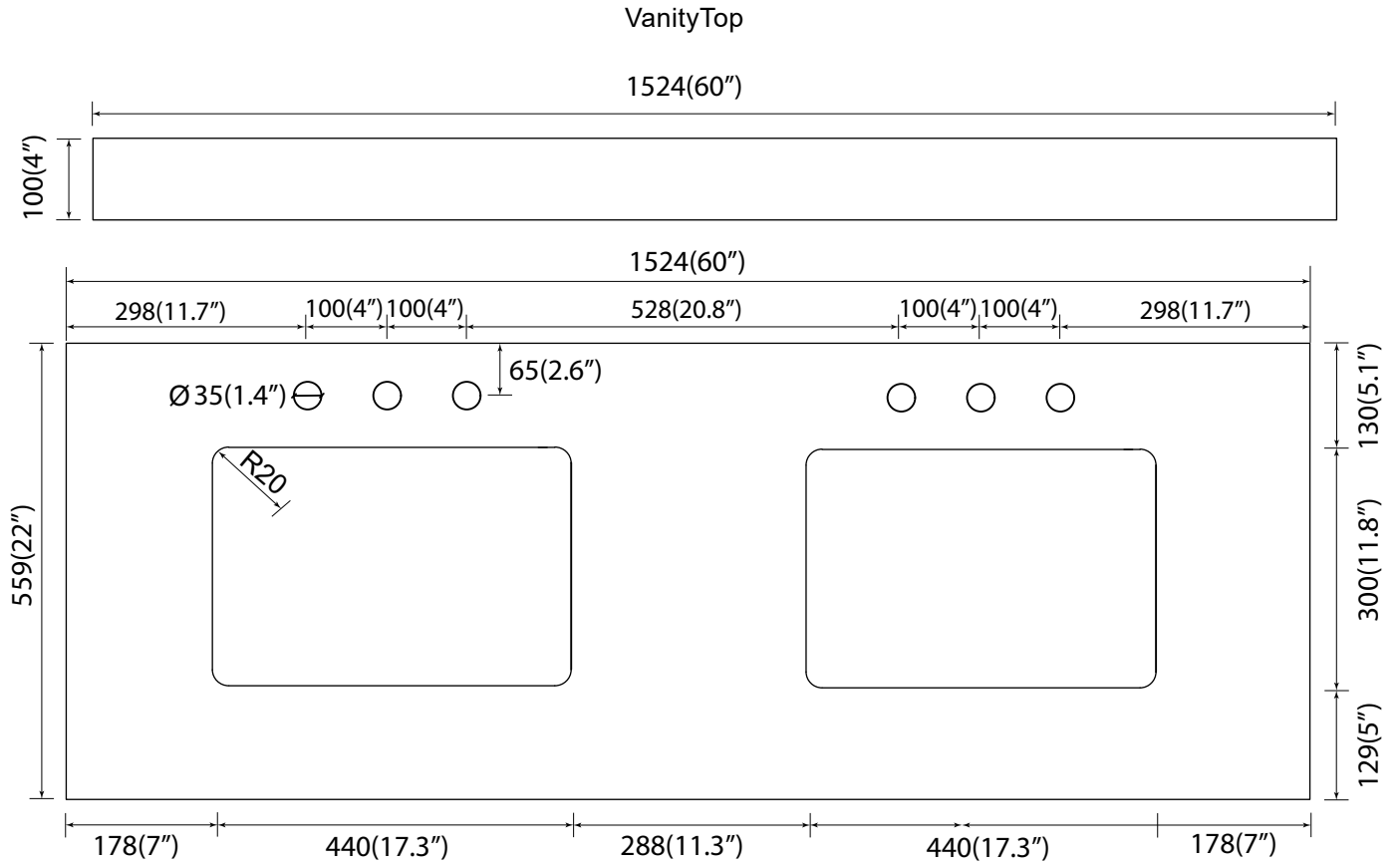
Side



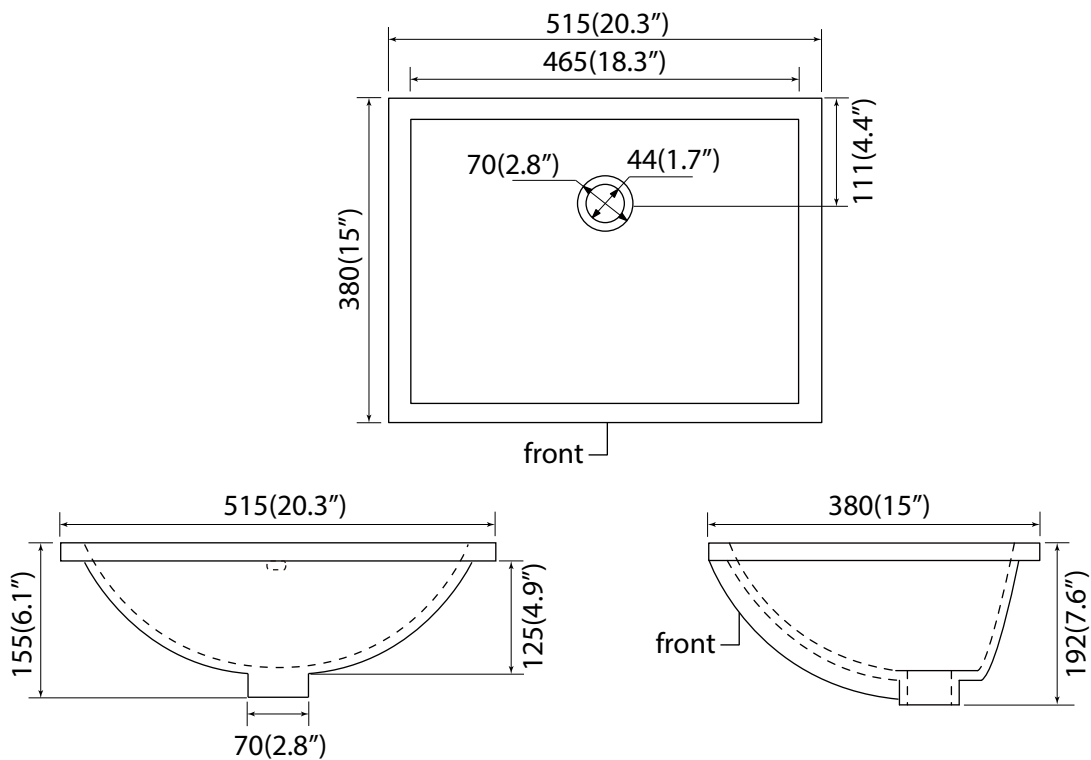
# NOLAN 60"

## VANITY TOP

With rectangular undermount sink

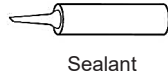


## Undermount Sink



# Vanity Installation

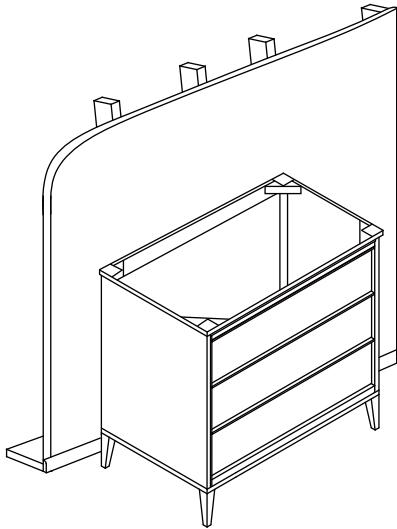
## SUGGESTED TOOLS AND MATERIALS:



## INSTALLATION INSTRUCTLONS

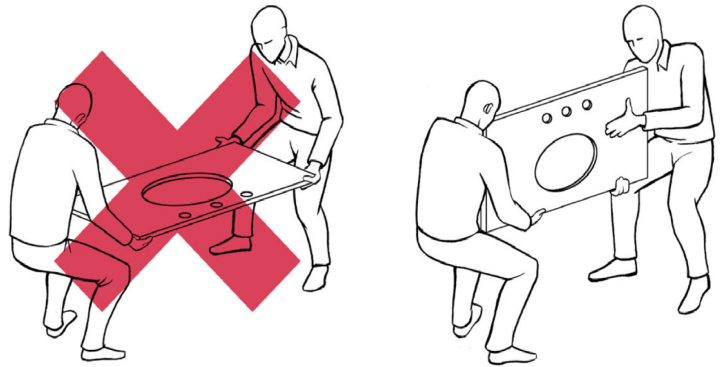
We recommend consulting a professional if you are unfamiliar with installing bathroom fixtures and plumbing .We accept no liability for any damage to the floor,plumbing, vanity cabinet,sink,counter top,or personal injury during installation.

**1**



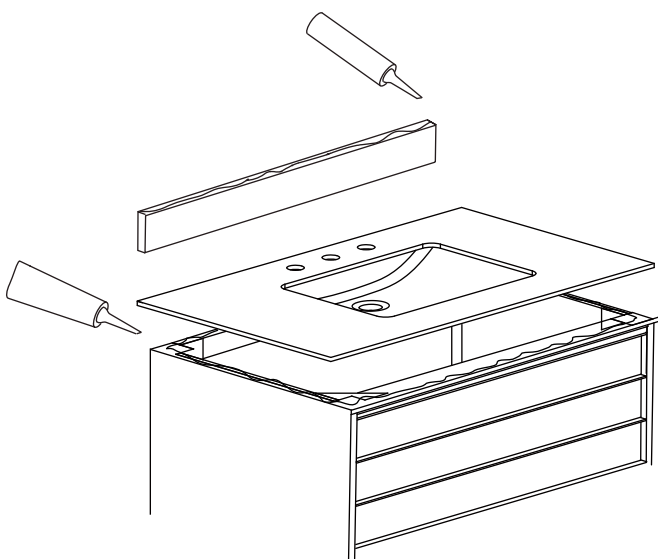
Remove vanity from box and examine vanity for any defects or damage.Carefully place vanity against wall.

**2**



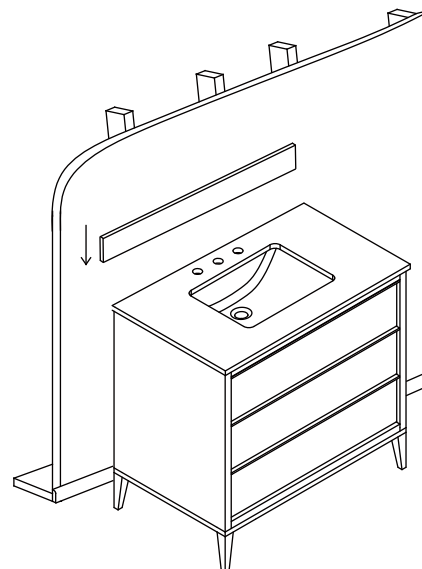
Always use a two man crew,a single person crew is much more likely to break or chip the stone top.

**3**



Apply bead of quality sealant evenly along the bottom of backsplash and the top of the vanity.

**4**



Finally,place the bottom side of back splash with sealant onto the counter top and check alignment of back splash.