

# MIRROR 24"

## WALL MIRROR

SKU: MD2432MR-NB

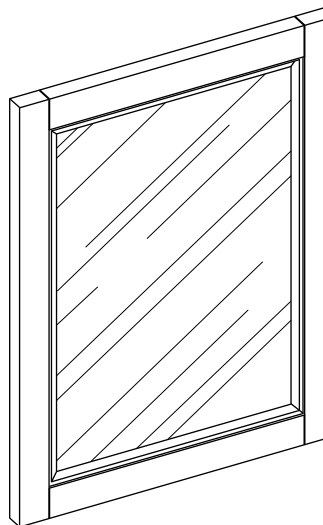
MD2432MR-WT

Colors/Finishes: Navy Blue, White

Nominal Dimension: 24W\*1.4D\*32H inches

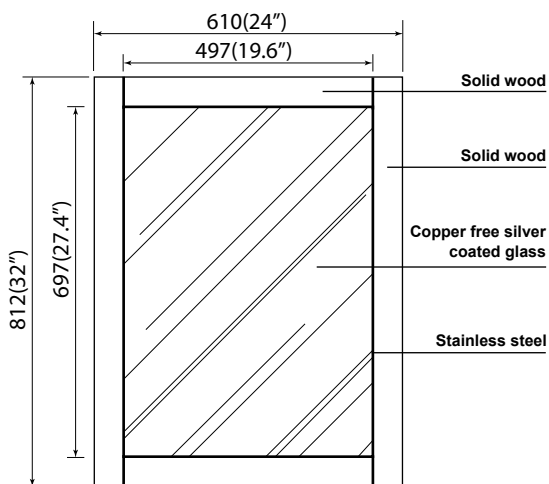
### FEATURES:

- Durable solid poplar wood frame
- Beveled edge mirror
- Mirror hangs vertically or horizontally
- Wall cheats for easy hanging and leveling

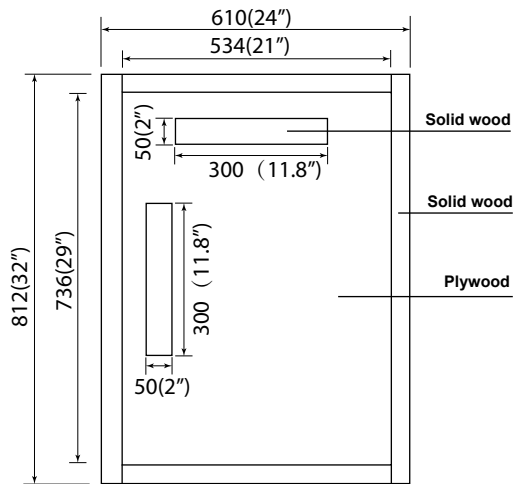


### PRODUCT DIAGRAMS:

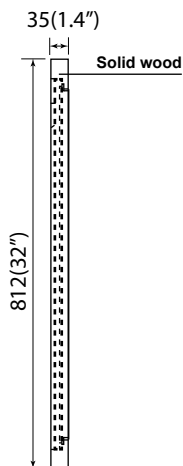
Front



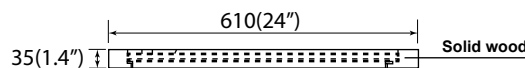
Back



Side



Top



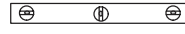
All dimensions and specifications are nominal and may vary. Use actual products for accuracy in critical situations.

# Mirror Installation

## SUGGESTED TOOLS AND MATERIALS



Screwdriver



Level



Drill



Tape Measure



Safety Glasses

## PARTS



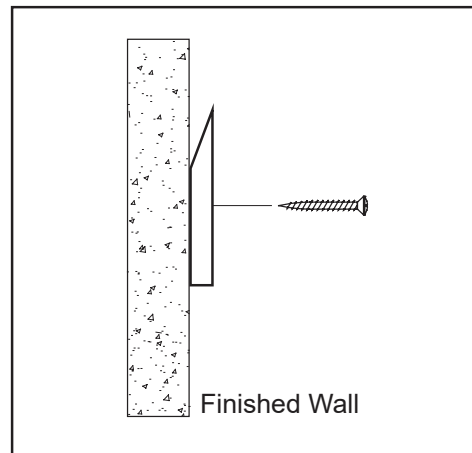
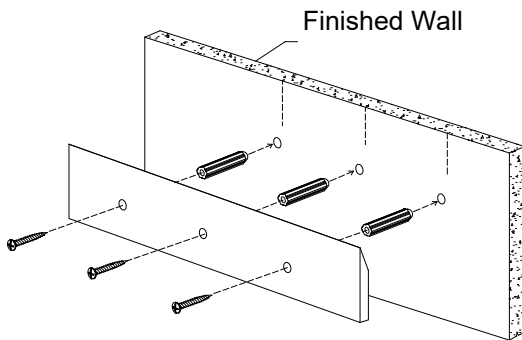
3x



3x

## INSTALLATION INSTRUCTIONS

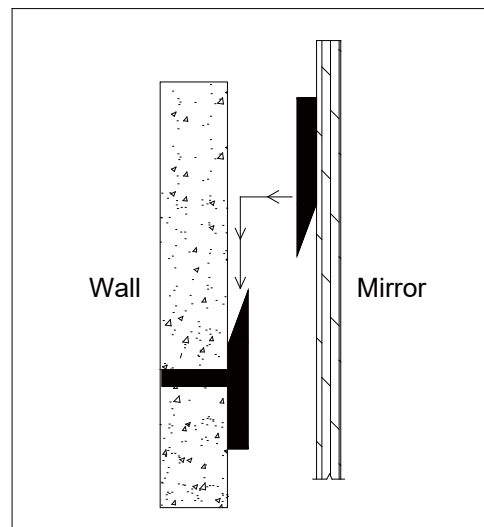
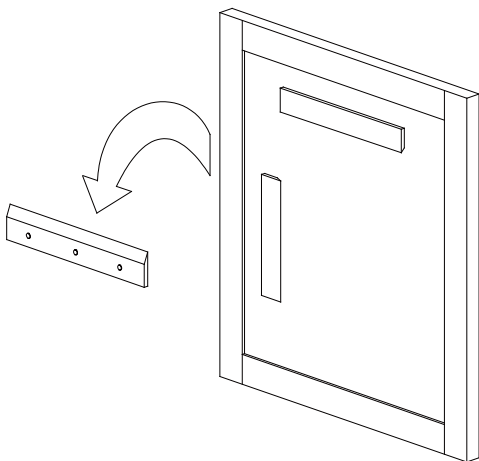
1



Remove wood cleat and screws from package.

Secure the wood cleat on the finished wall with screws. Make sure to hit wall studs or use provided wall anchors.

2



Hang mirror on the secured wood cleat.