

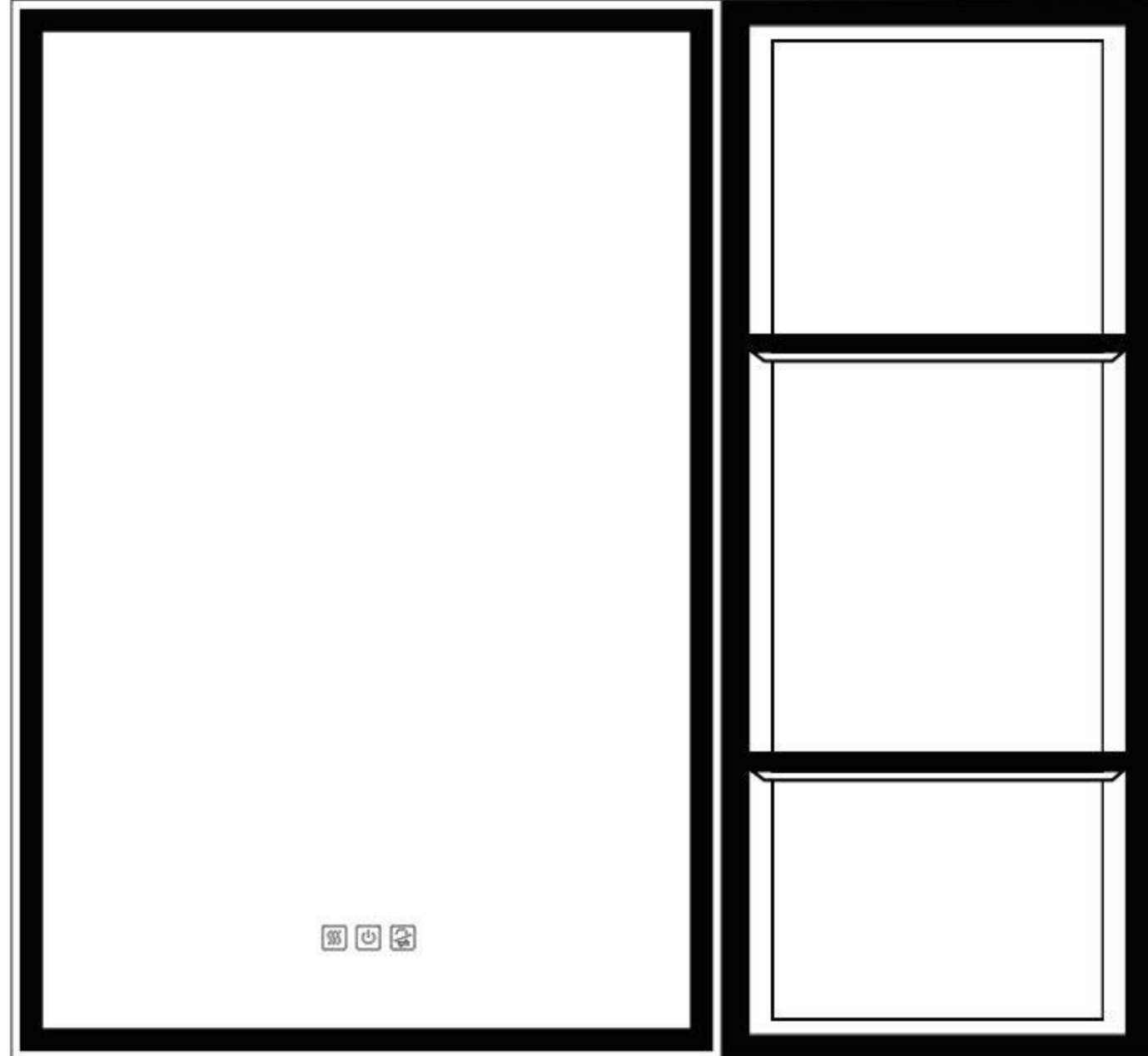
AYLA-MC1230MB

Colors/Finishes:Matte Black(MB),

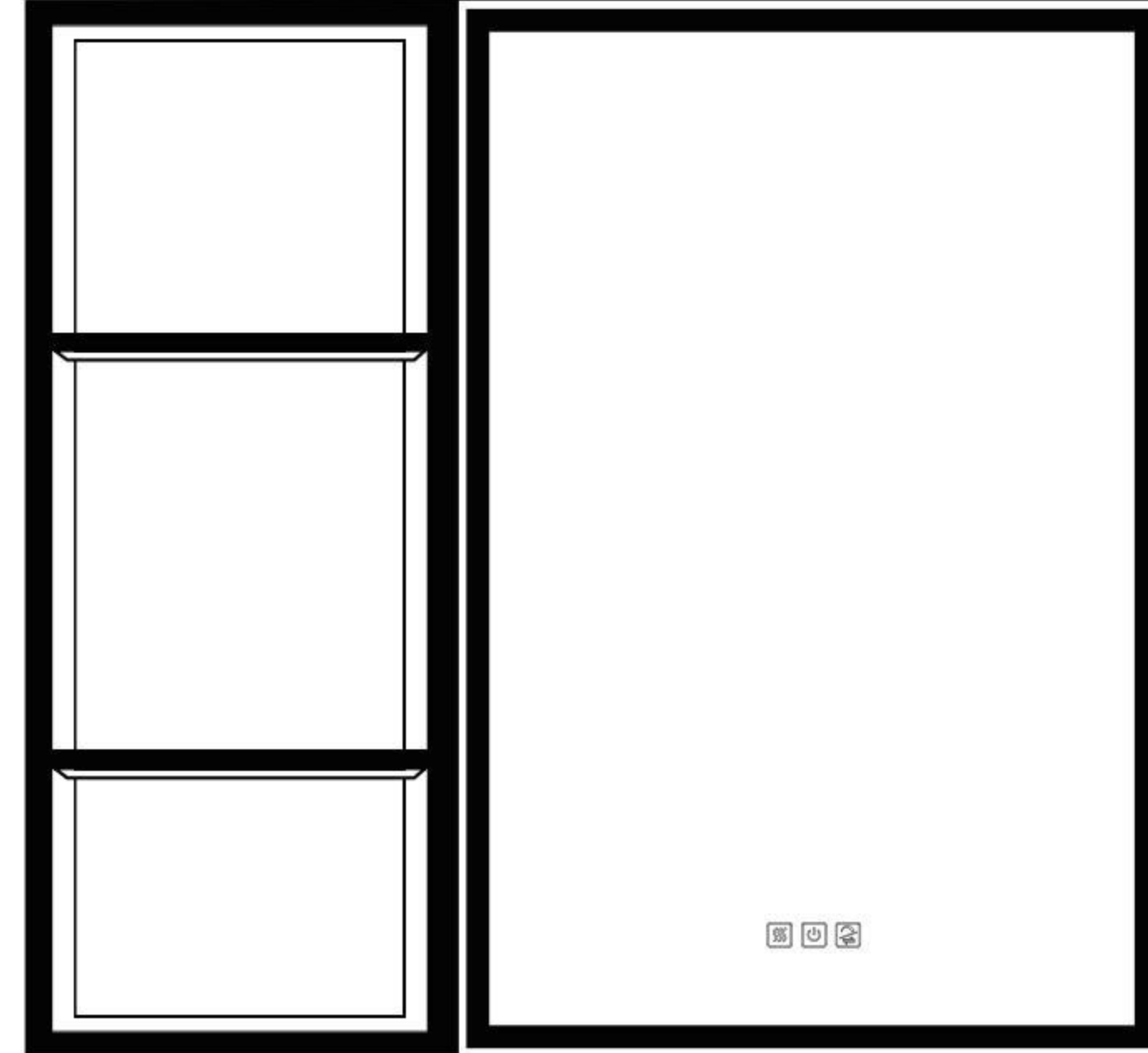
ALUMINUM MEDICINE CABINET

INSTALLATION

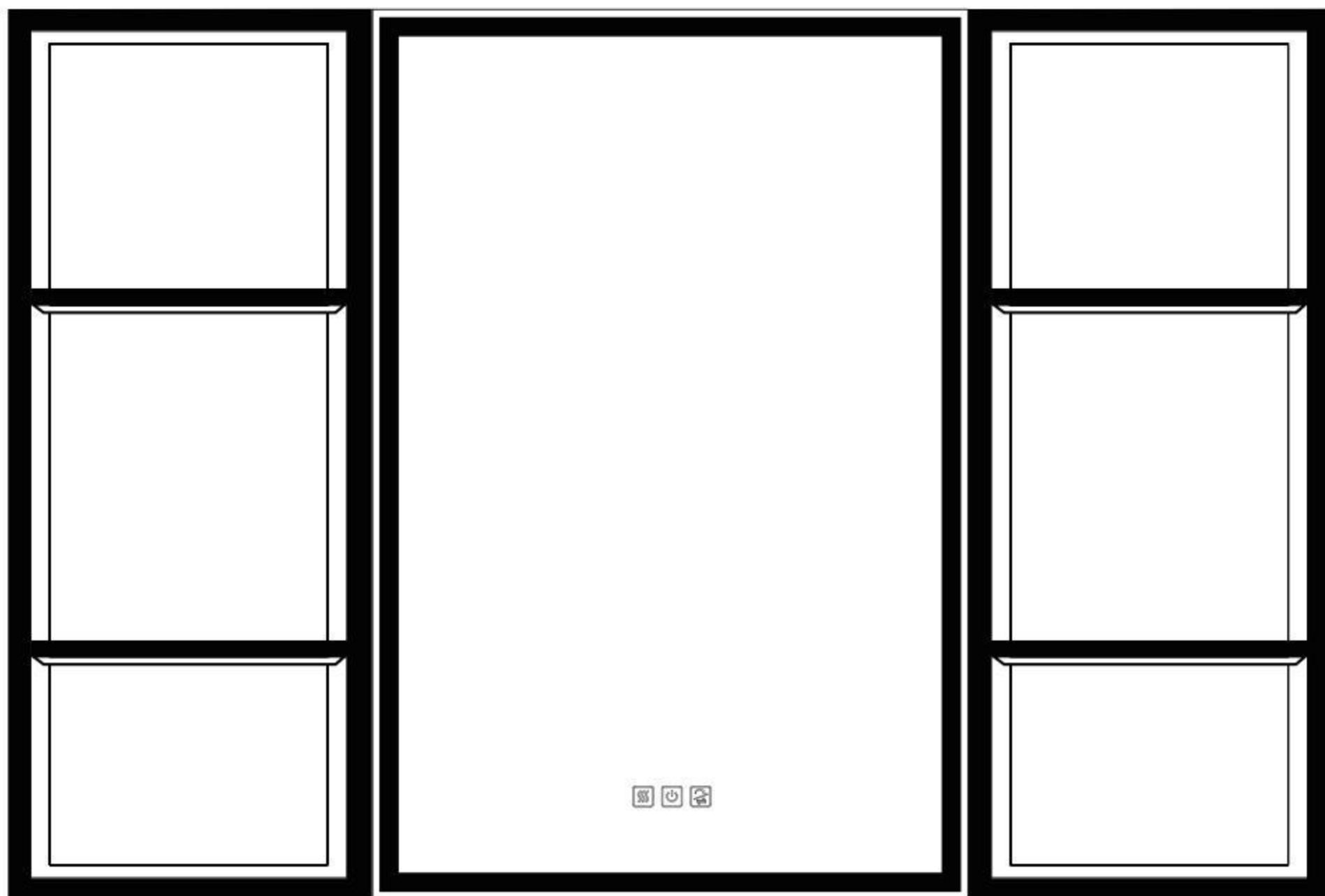
TYPES OF COMBINATION



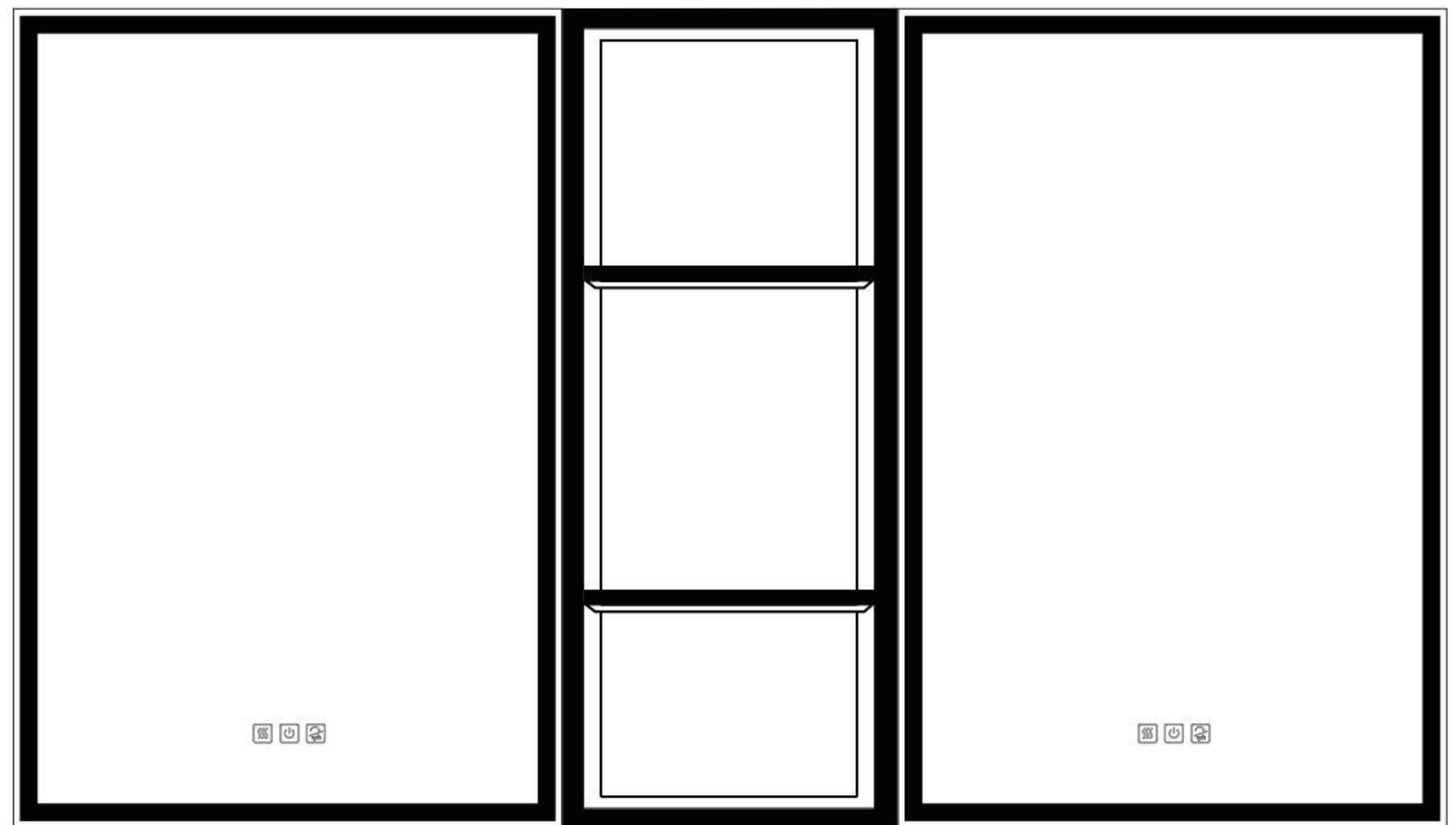
W12MCL2030L + MC1230MB
W12MCL2430L + MC1230MB



W12MCL2030R + MC1230MB
W12MCL2430R + MC1230MB



MC1230MB + W12MCL2030L/R + MC1230MB
MC1230MB + W12MCL2430L/R + MC1230MB

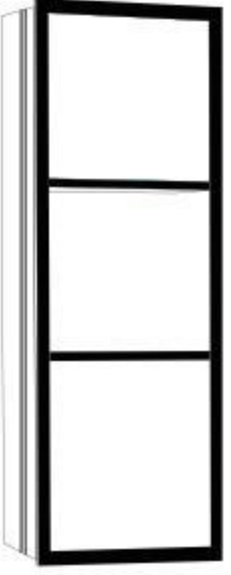


W12MCL2030L + MC1230MB + W12MCL2030R
W12MCL2430L + MC1230MB + W12MCL2430R

***Note:** L for left hinge door, R for right hinge door

***WARNING:** Do not remove corner proctors & paper cushions, please remove after installation.

Please retain the cabinet accessories during the installation process for future needs, for example, screws, nuts, cap and other similar components.Requires three(3) person in installation.



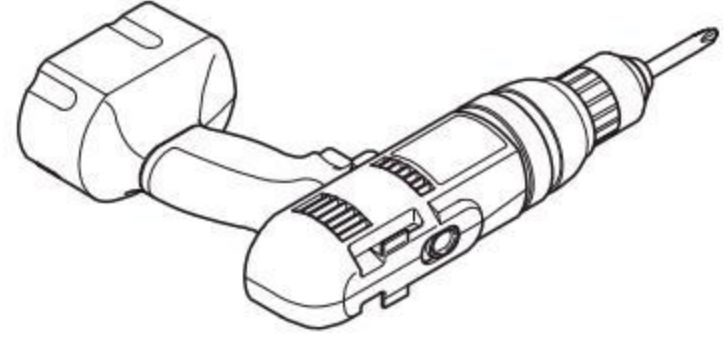
AYLA-MC1230MB

Colors/Finishes:Matte Black(MB),

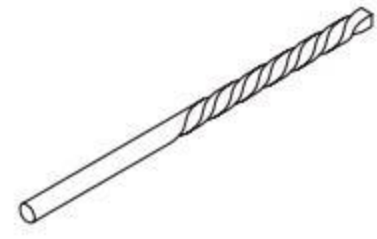
ALUMINUM MEDICINE CABINET

INSTALLATION

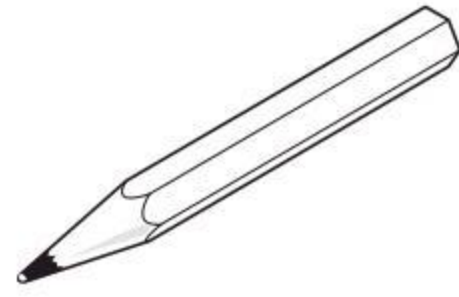
TOOLS REQUIRED FOR ASSEMBLY



Electrical Drill



1/8" Drill Bit



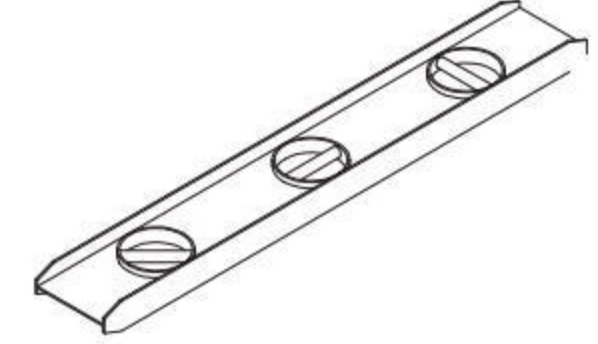
Pencil



Phillips
Screwdriver



Tape Measure



Level

PARTS INCLUDED



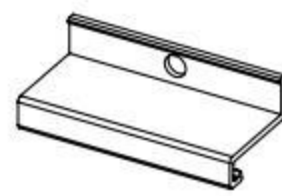
SCREW



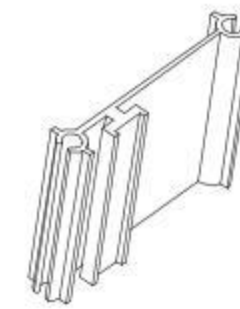
WALL
PLUG



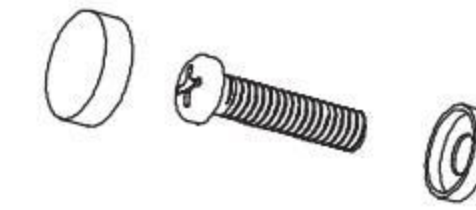
BOTTOM
MOUNTING
BRACKET



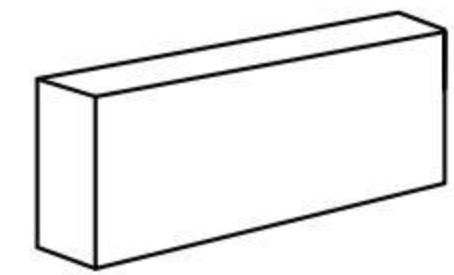
TOP MOUNTING
BRACKET



CABINET CONNECTOR



SCREW AND CAP FOR
CABINET CONNECTOR



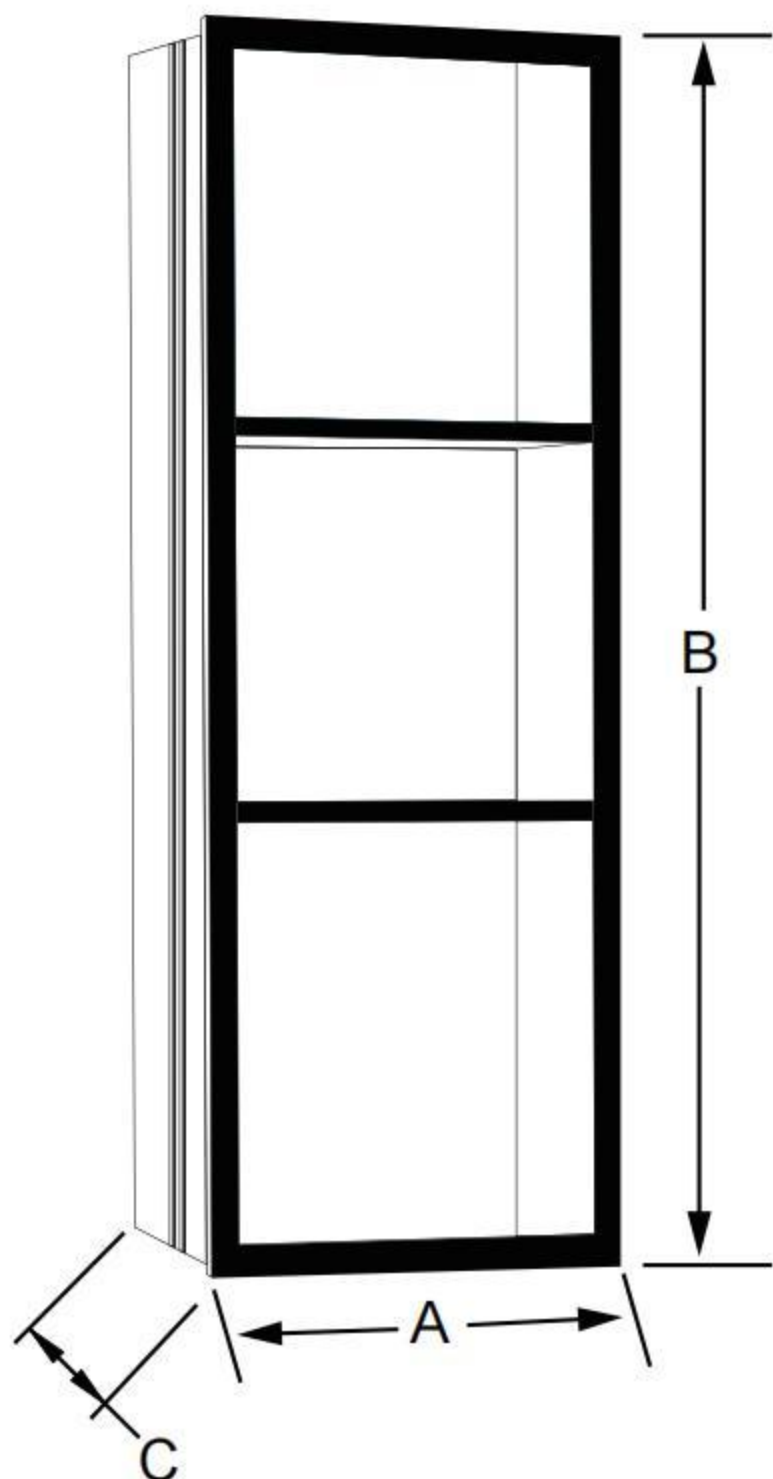
EVA Foam



NOTE: Determine overall mirror dimensions before installation.
Requires three(3) person in installation.

Accessories and parts may vary from the picture above.Depends on the product model and size.

DIMENSIONS



A- Cabinet Width
B- Cabinet Height
C- Cabinet Depth

Model Number	Item	A	B	C	Rough in size
MC1230MB		12"	30"	4-5/8"	10-13/16"x28-7/8"x3-13/16"

NOTE: All rough-in dimensions for reference only!

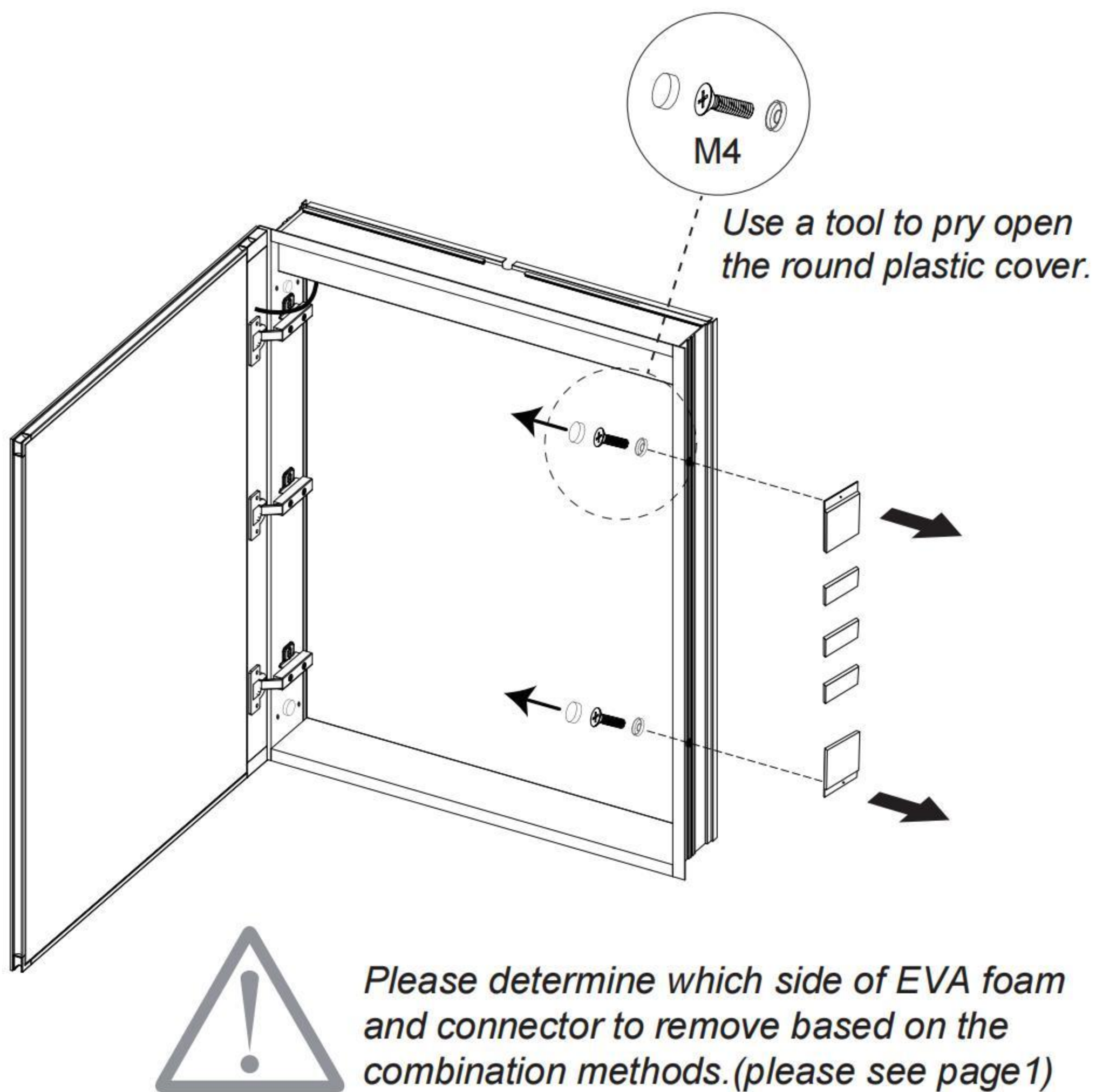
NOTE: Please use rough in size for recess mounting installation(wall cut-out).
All dimensions and specifications are nominal and may vary.Use actual products for accuracy in critical situations.

*Style and shape may vary from the picture above. Instructional purpose only *

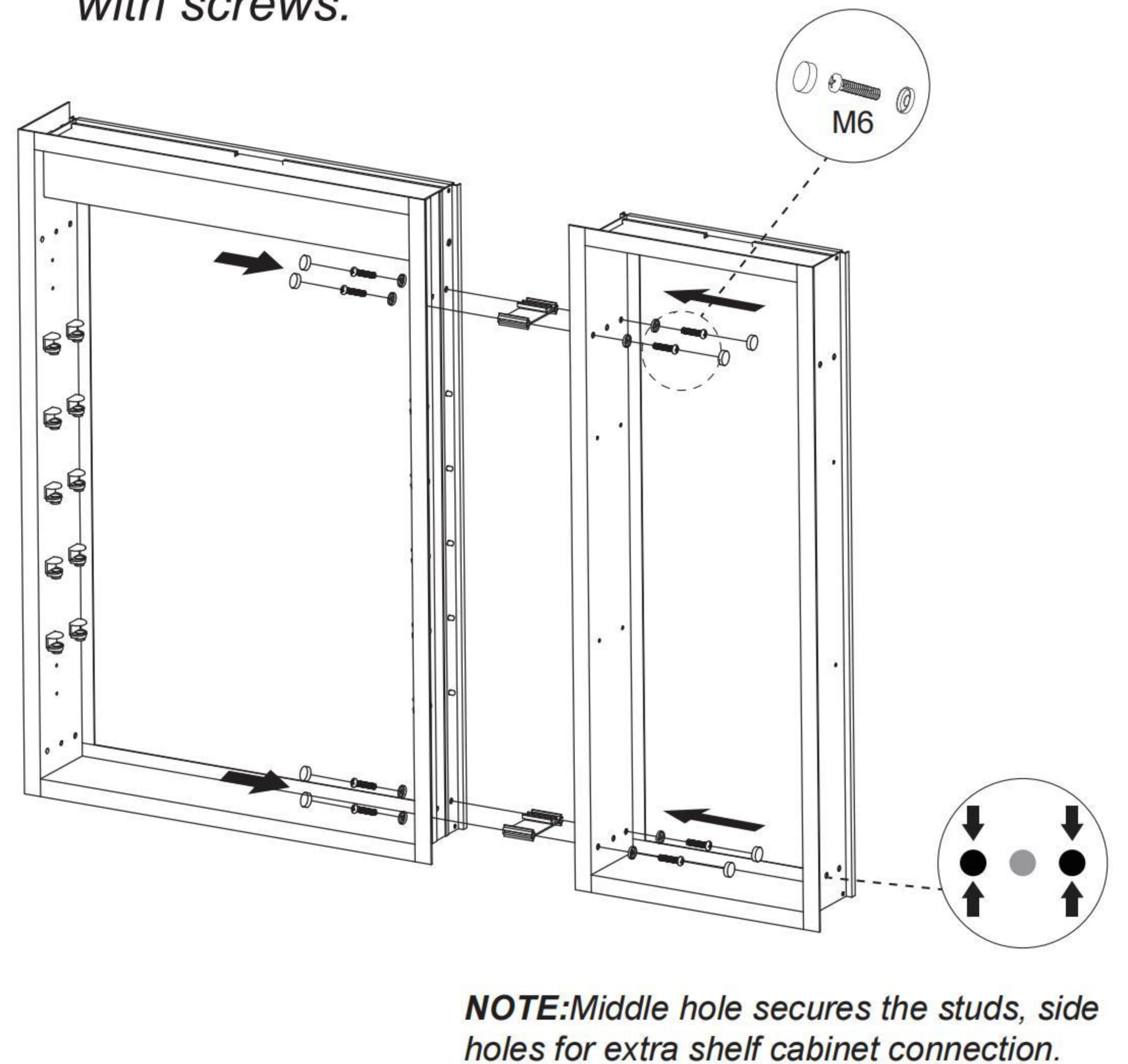
SURFACE-MOUNTED INSTALLATION

*Connect the Aluminum Medicine Cabinet with LED Mirror Cabinet

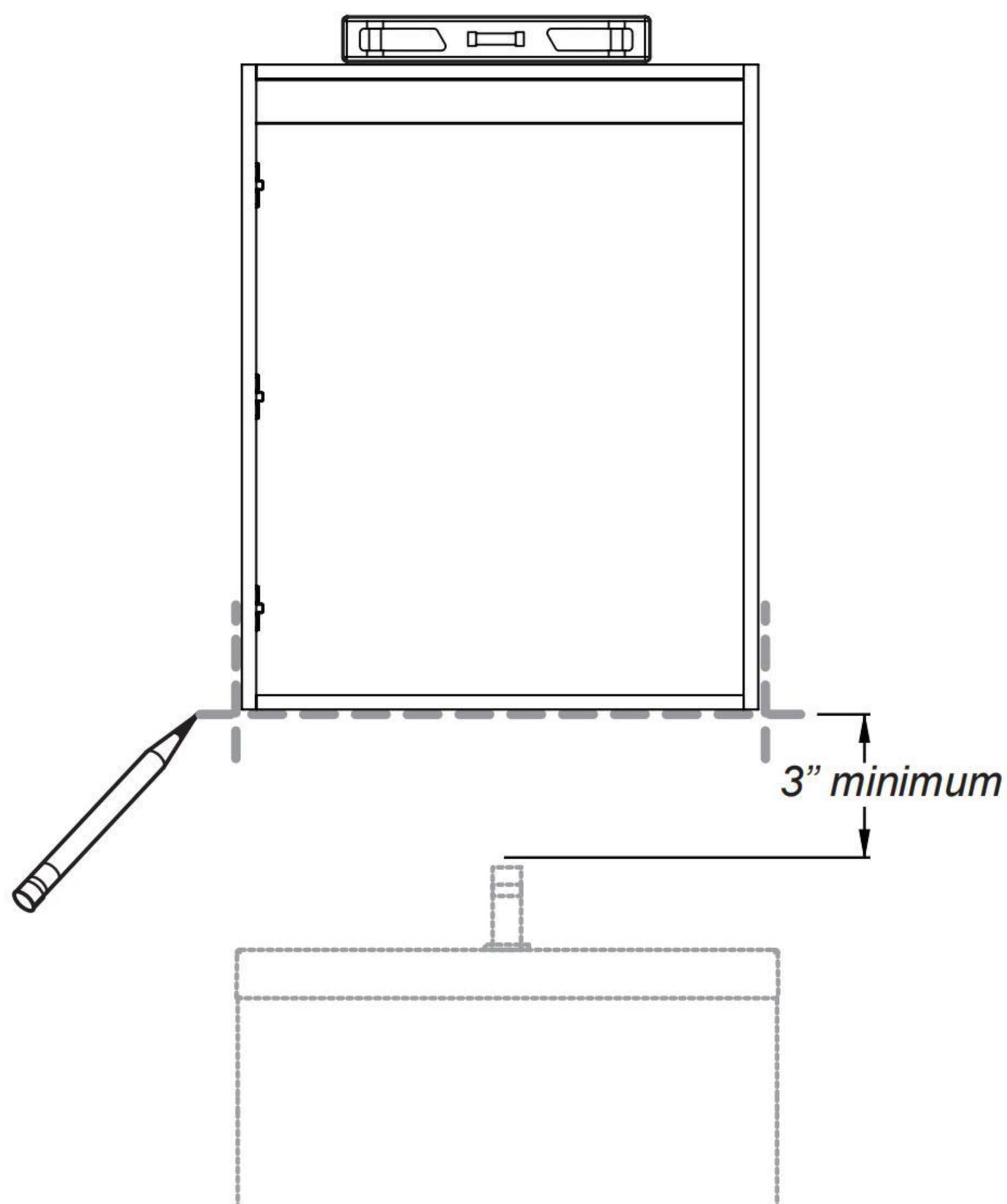
- 1** Detach side panel connectors and EVA foam pads from the LED mirror cabinet. These items are located on side of the mirror cabinet body.



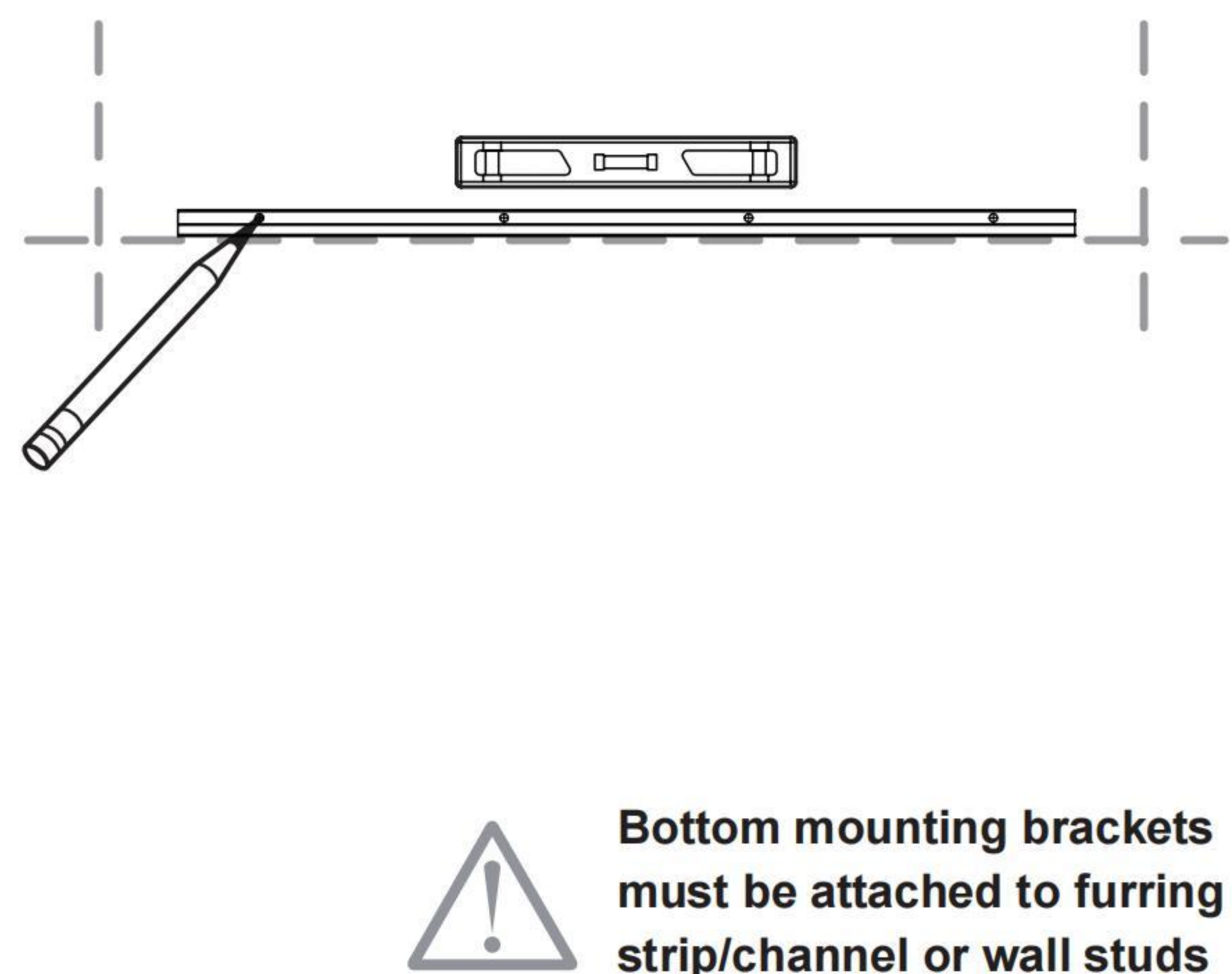
- 2** Align the LED mirror cabinet and Aluminum cabinet vertically, place two connectors between the cabinets, and secure them with screws.



- 3** Level and mark the cabinet's location on the wall.

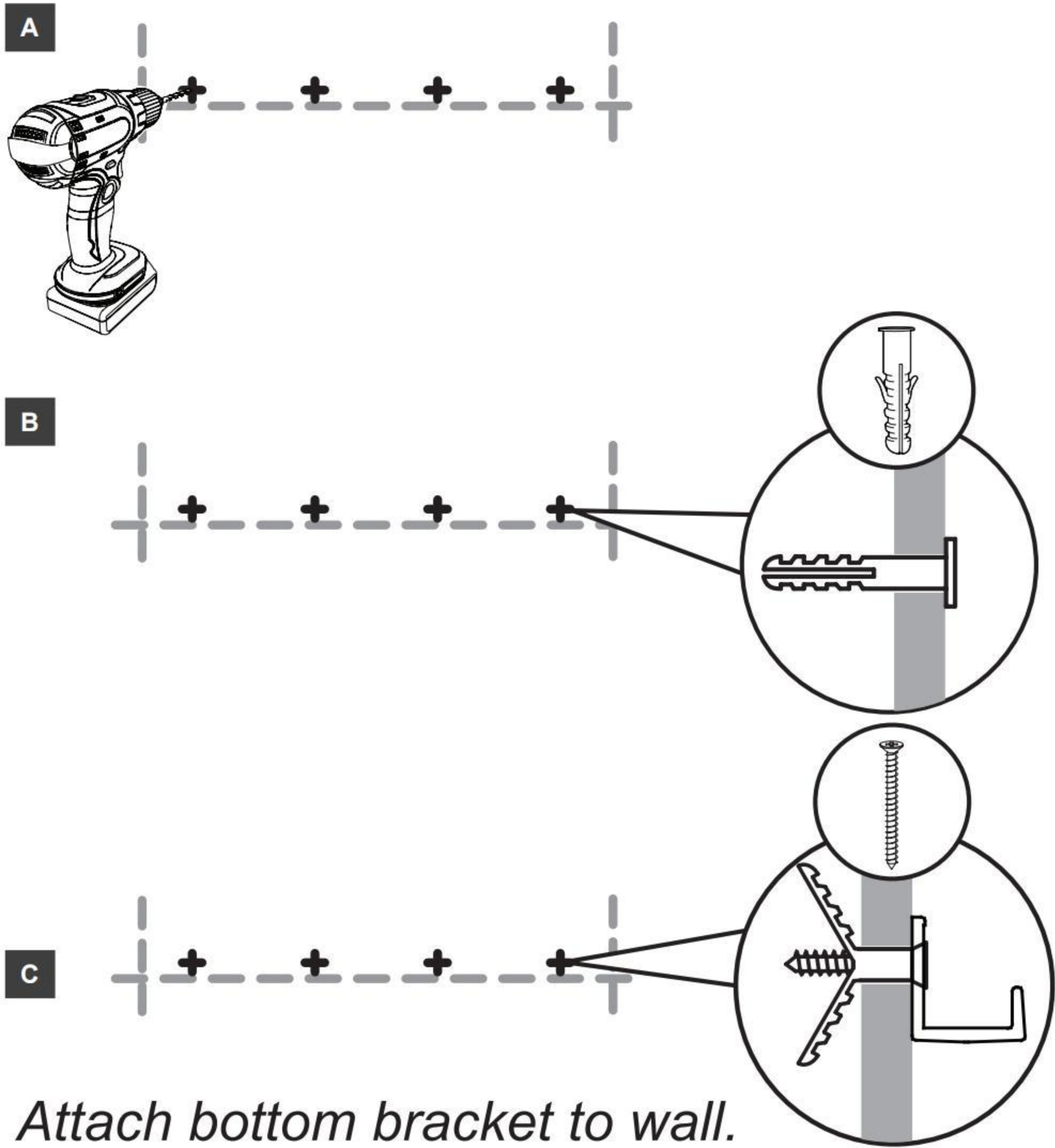


- 4** Mark the position of the Bottom Mounting Bracket and Punch.



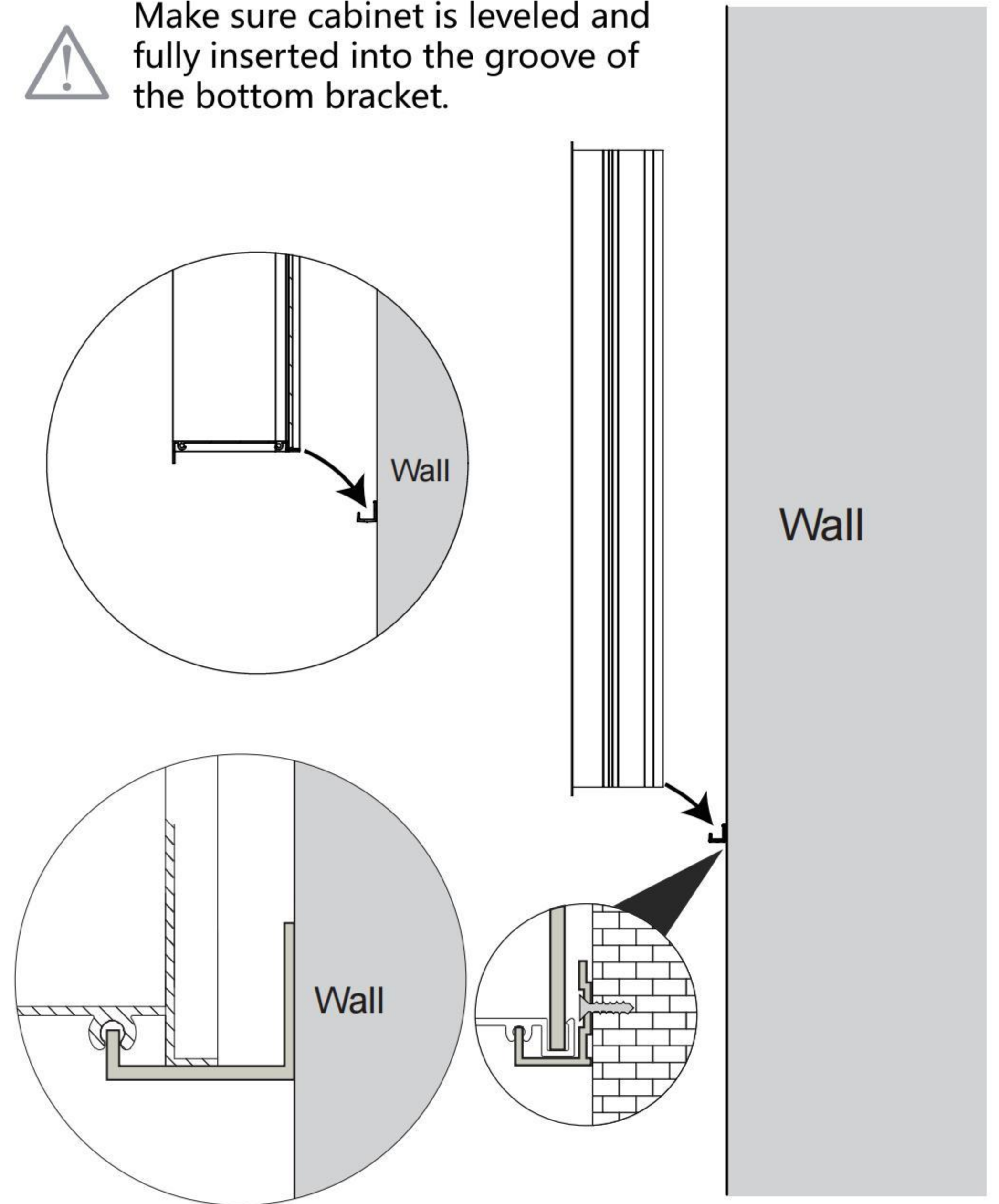
SURFACE-MOUNTED INSTALLATION

5 Punch holes in the mark, put in Wall Plug, fix Bottom Mounting Bracket to the wall with Screw.

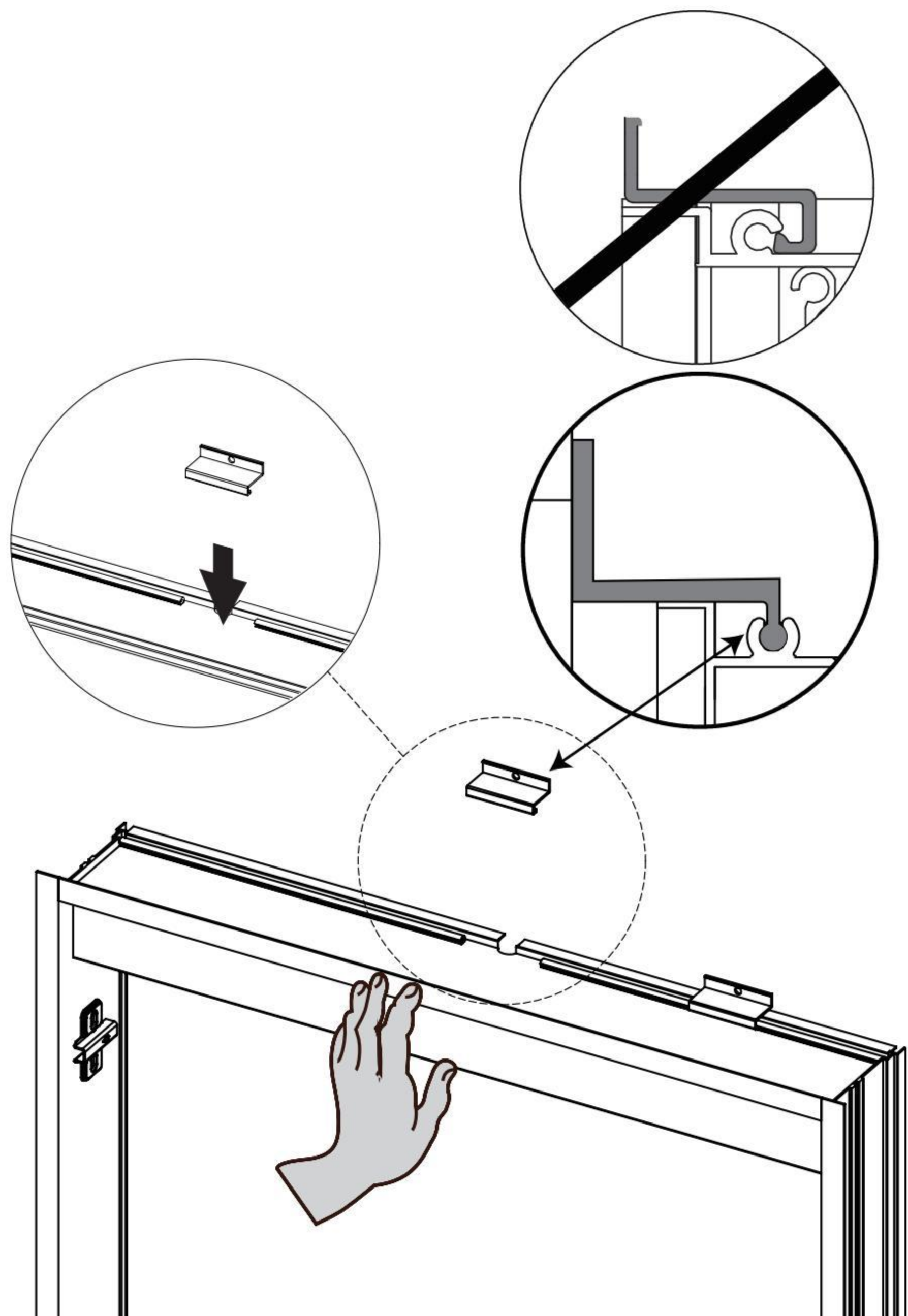


6 With assistance, to rest the cabinet on the mounting bracket and hold in place.

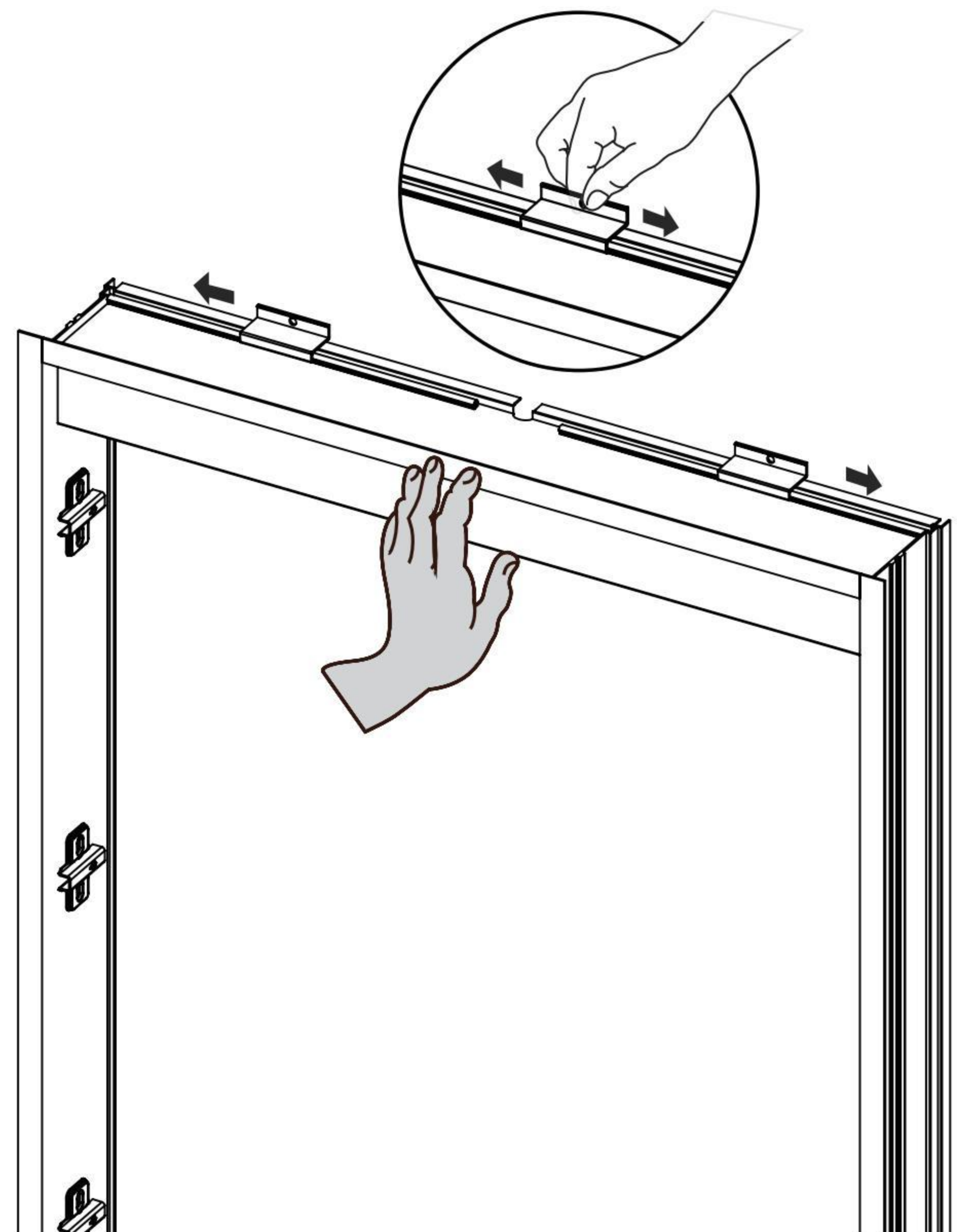
⚠ Make sure cabinet is leveled and fully inserted into the groove of the bottom bracket.



7 Insert top mounting bracket into the top of the cabinet.

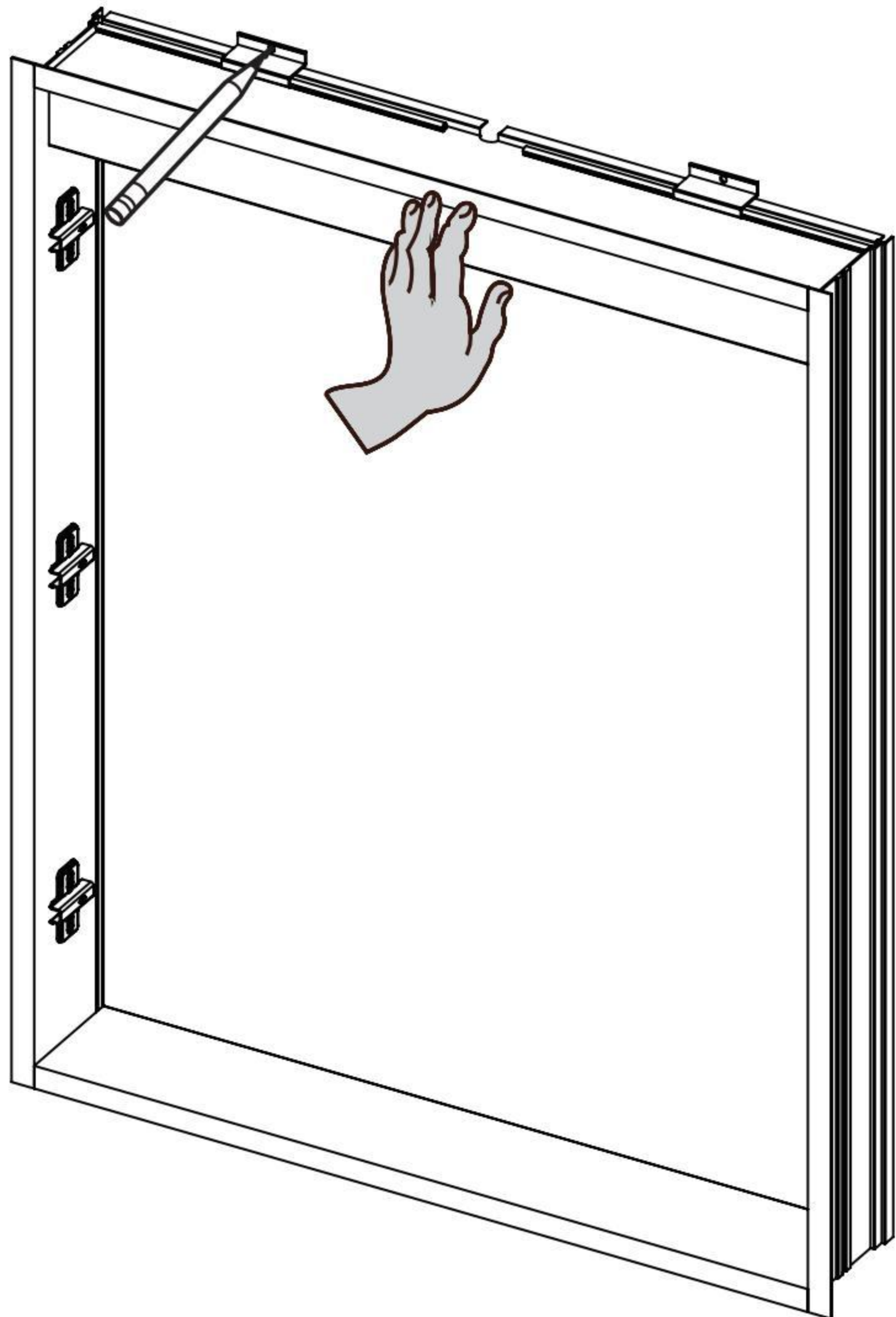


8 Make sure top brackets are locked in the grooves.

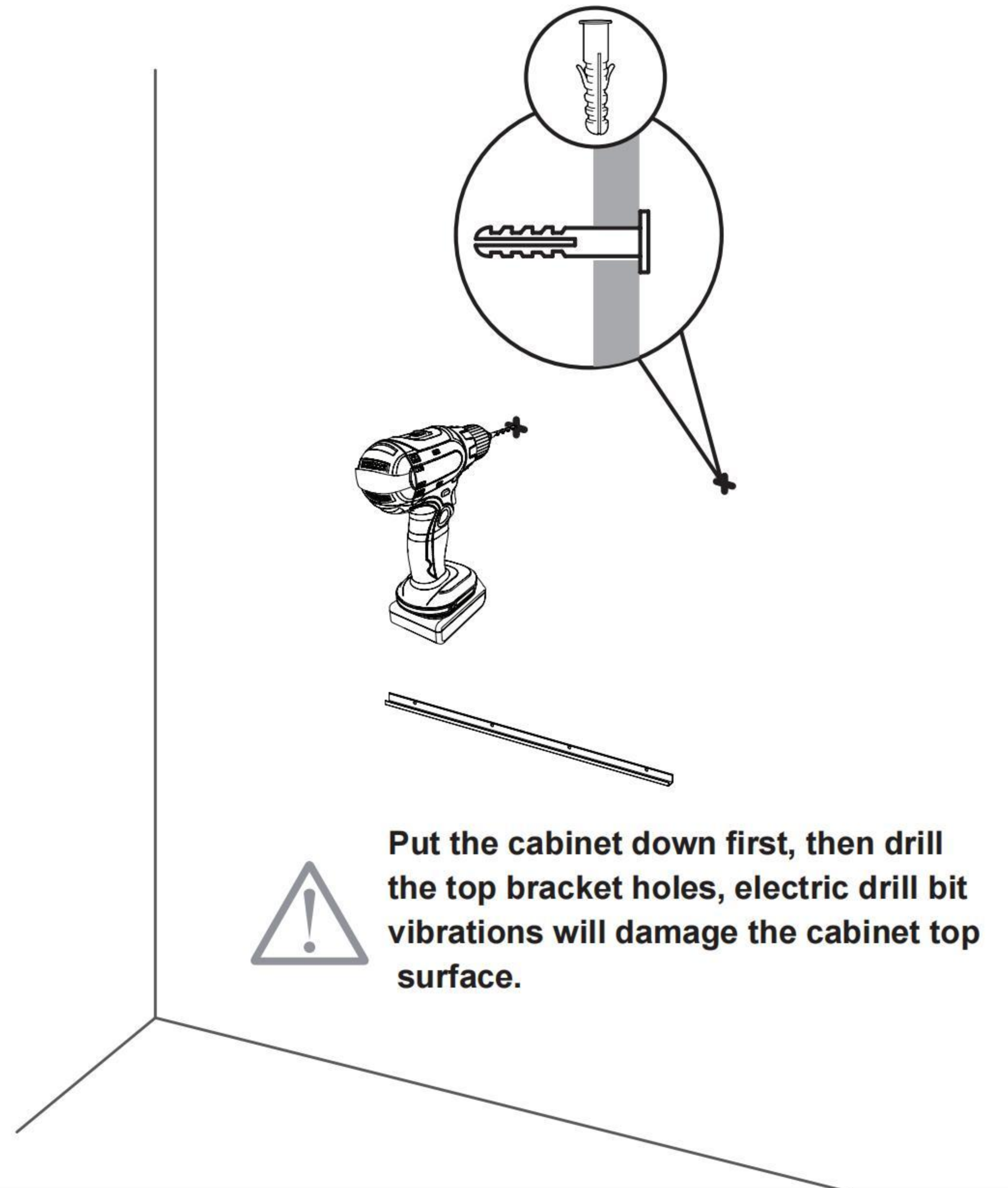


SURFACE-MOUNTED INSTALLATION

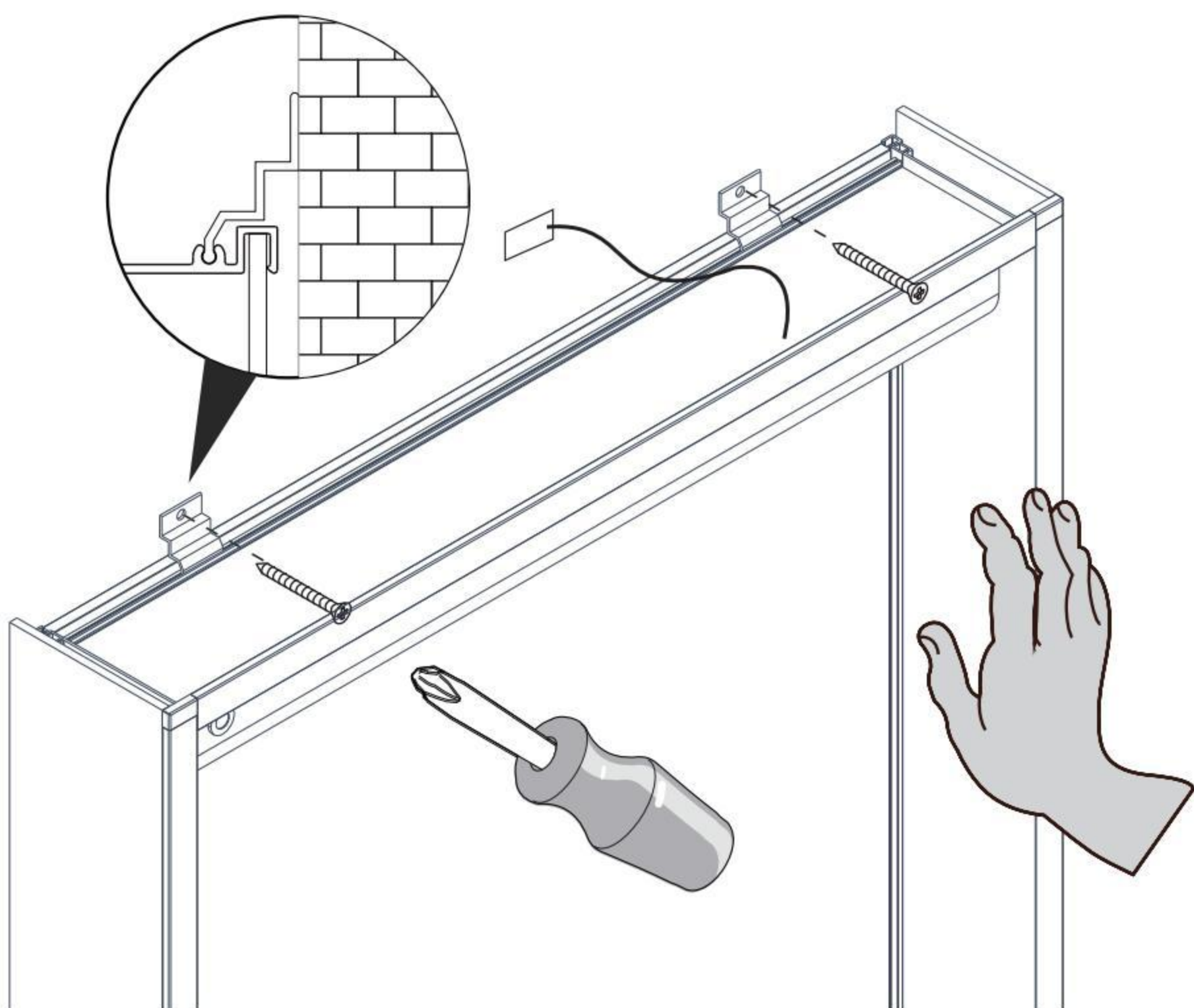
- 9** Adjust the position of Top Mounting Bracket and mark the holes with a pencil



- 10** Remove the cabinet, drill holes according to the marked position, and put in Wall Plugs.



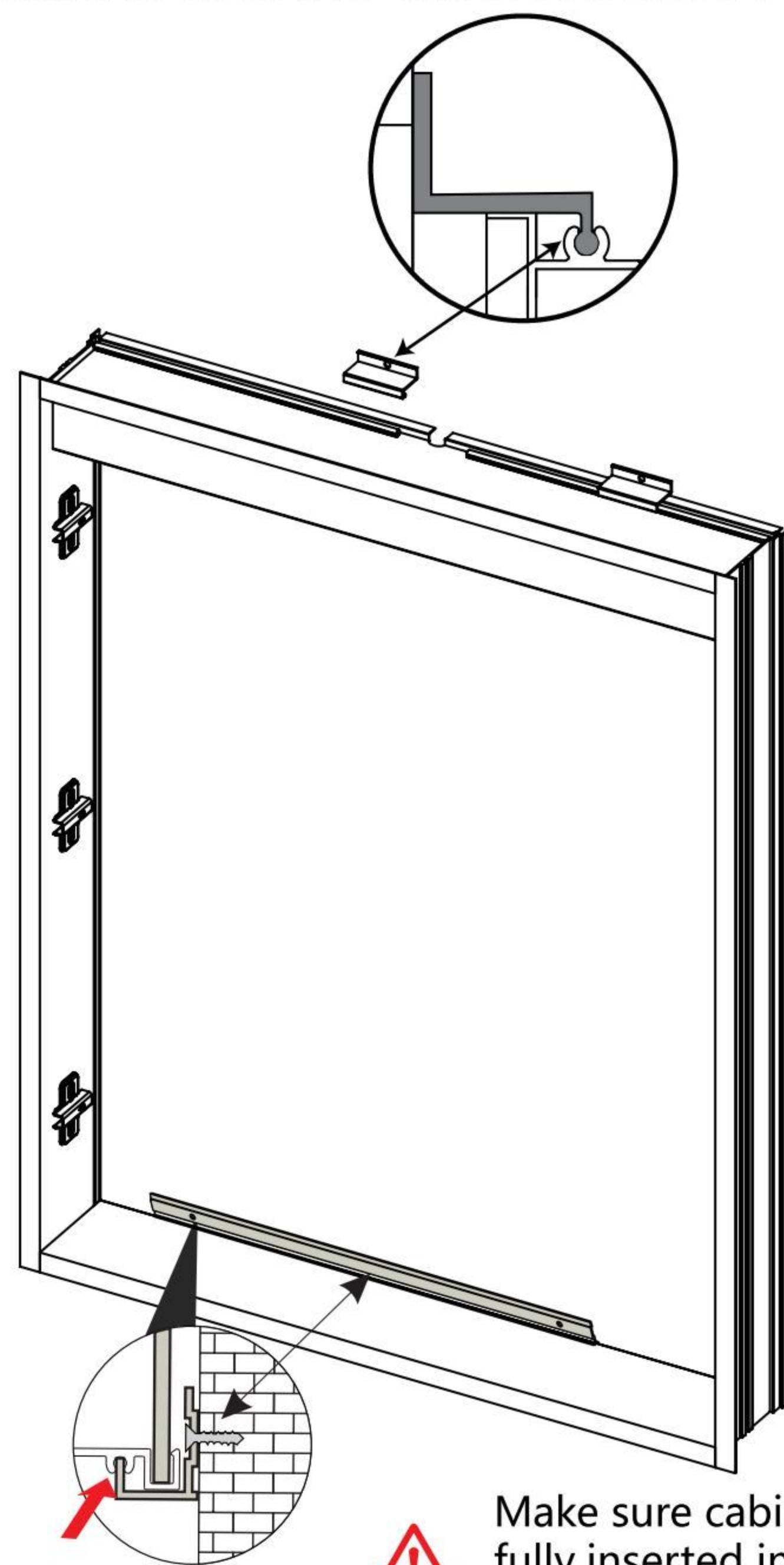
- 11** Put the cabinet on the bottom mounting bracket and hold the place, then insert the top mounting bracket into the top of cabinet, fix the top mounting brackets to the holes with screw. (repeat step 4-6)



NOTE: Vibrations occur in the electric drill, use Philips Screwdriver to protect your cabinet top surface.

 Top mounting brackets must be attached to furring strip/channel or wall studs.

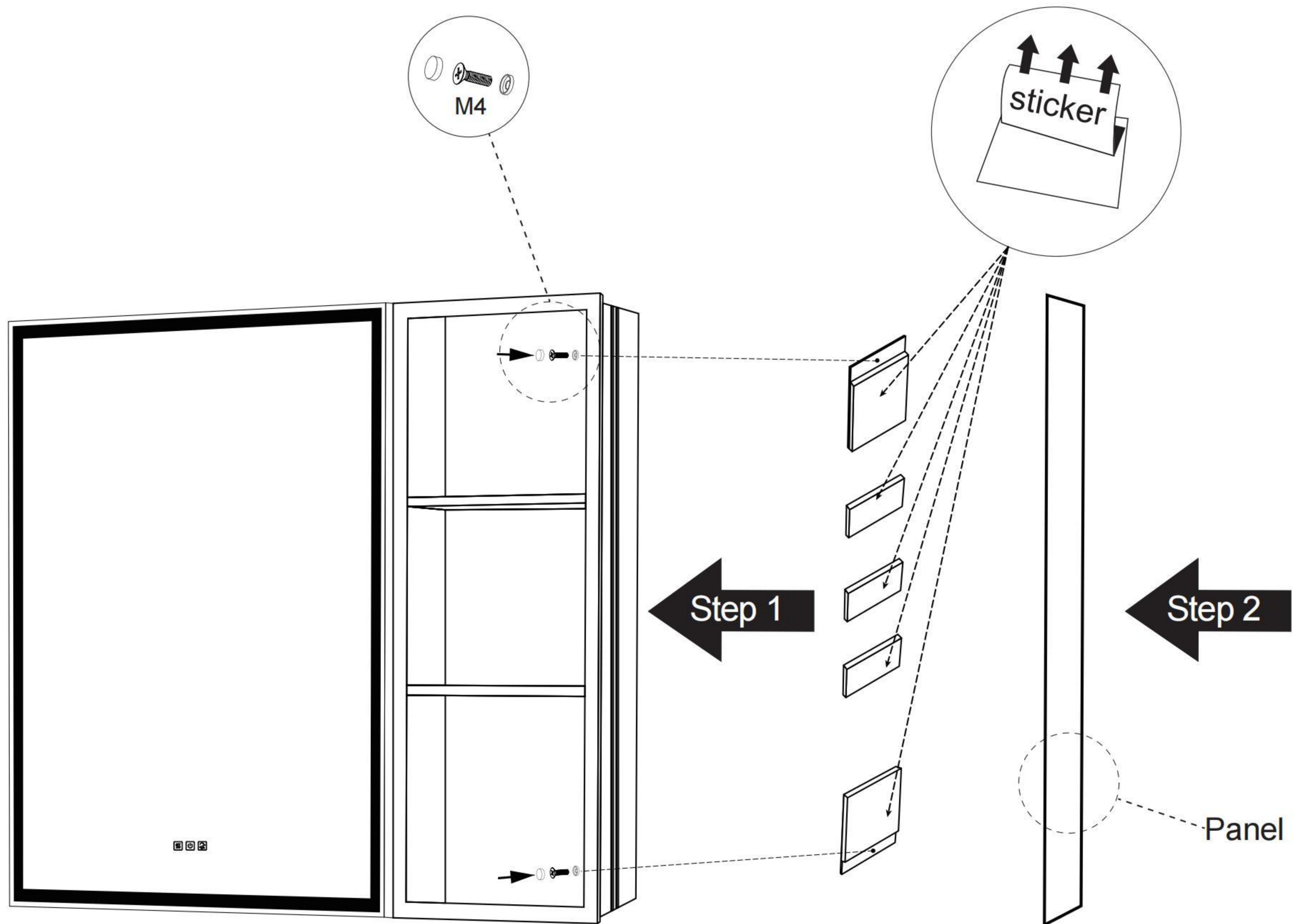
- 12** Test the fit of the cabinet before Final assembly.



SURFACE-MOUNTED INSTALLATION

13

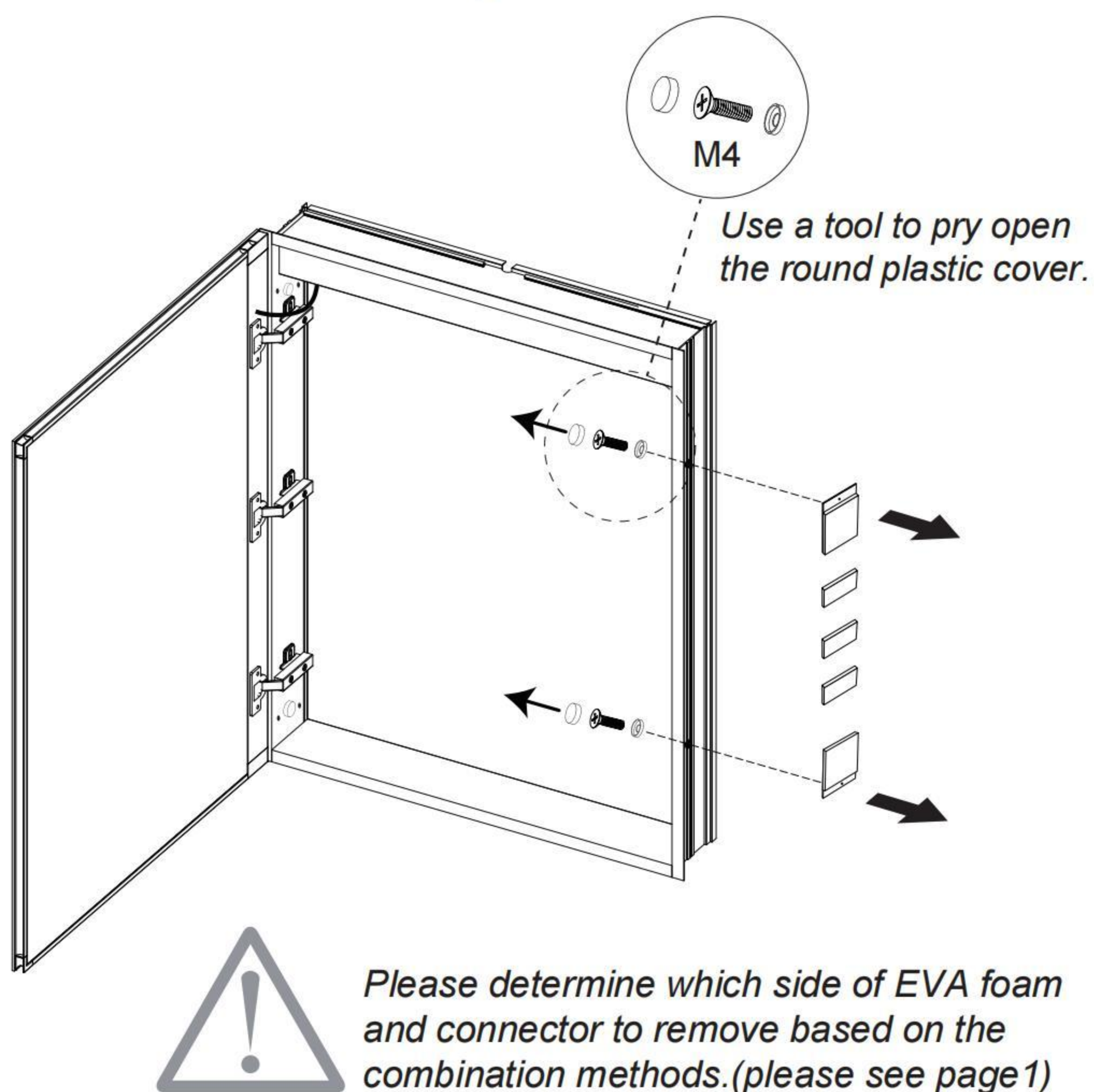
Install the screws, nuts, EVA, and side panel connectors on the side of aluminum cabinet. (these items are removed from step 1), Peel off the stickers from the EVA foams and metal blocks, Affix the panel to the side of the cabinet, gently press the panel with your hands until it adheres firmly.



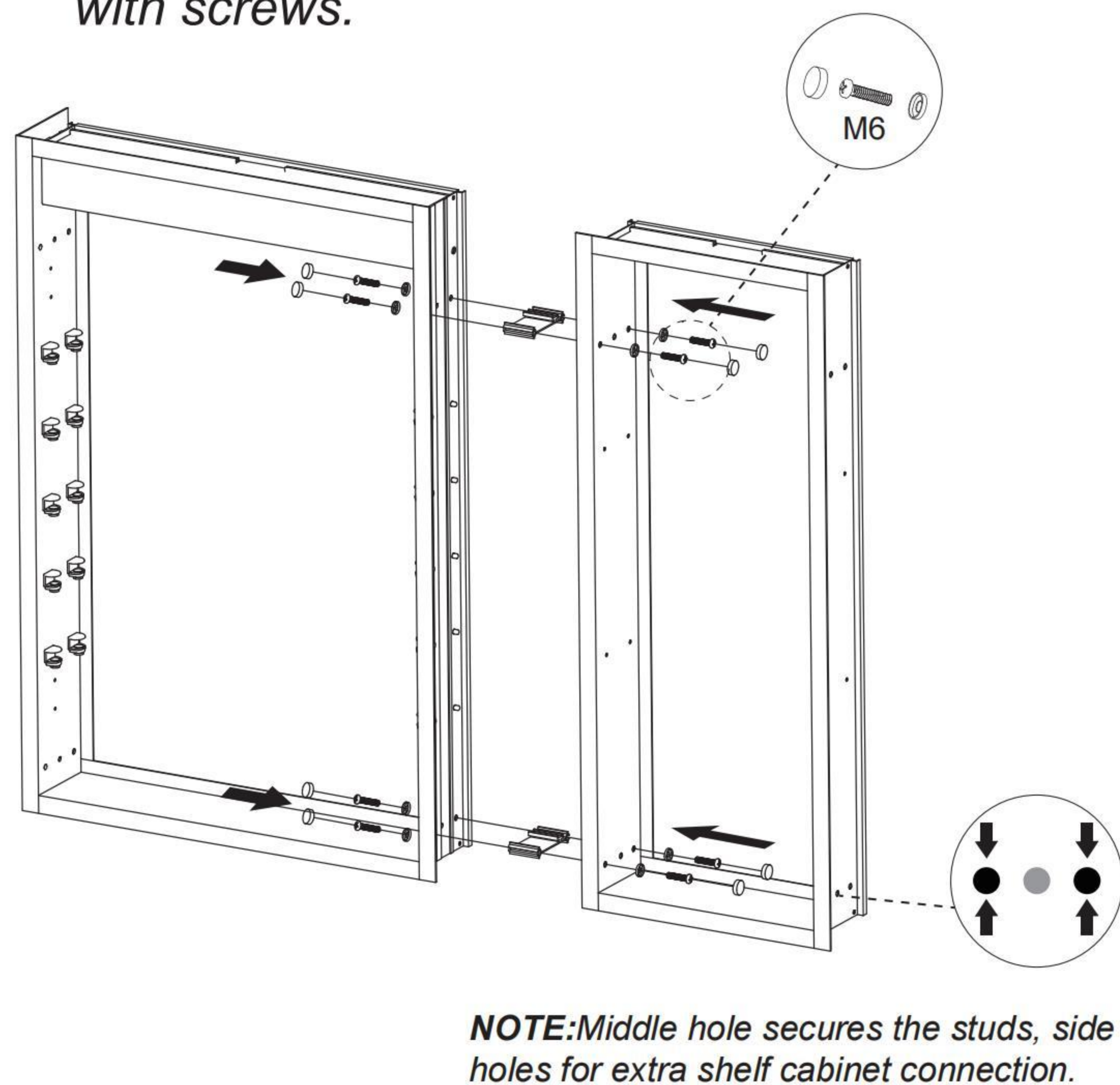
RECESS INSTALLATION

*Connect the Aluminum Medicine Cabinet with LED Mirror Cabinet

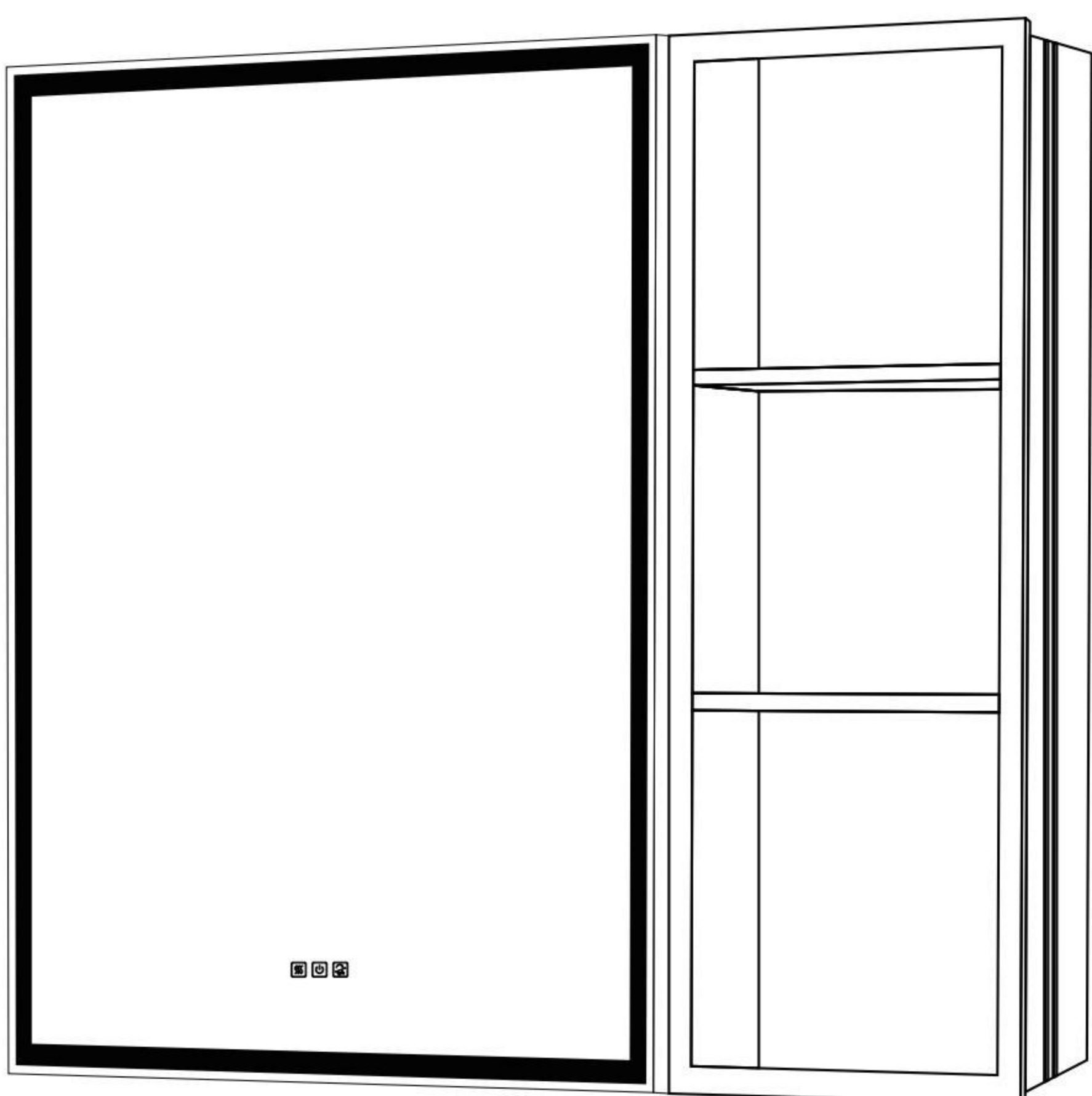
- 1** Detach side panel connectors and EVA foam pads from the LED mirror cabinet. These items are located on side of the mirror cabinet body.



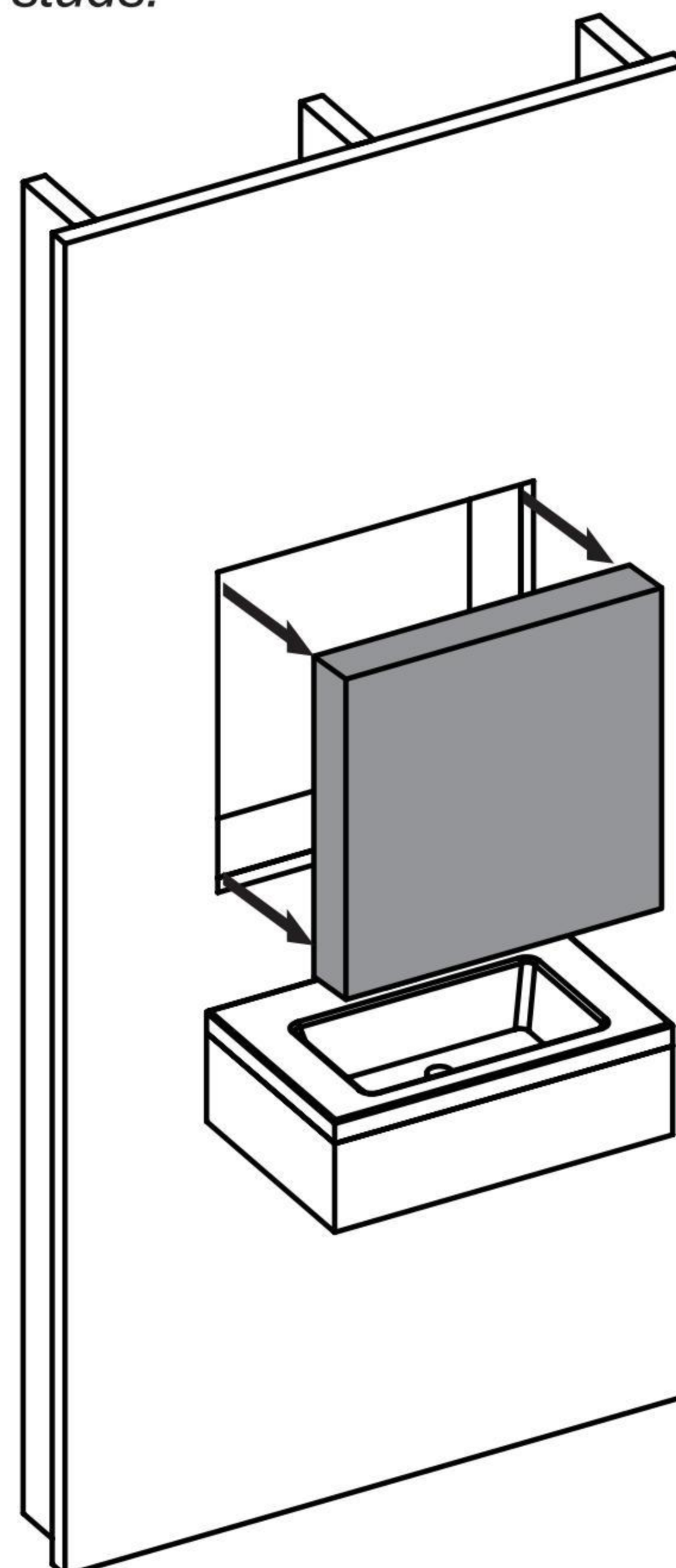
- 2** Align the LED mirror cabinet and Aluminum cabinet vertically, place two connectors between the cabinets, and secure them with screws.



- 3** Combine the LED mirror cabinet with the aluminum cabinet.



- 4** Cut the hole as marked dimension with suitable tool, and place the combination cabinet between the wall studs.



USE AND MAINTENANCE

WARNINGS:

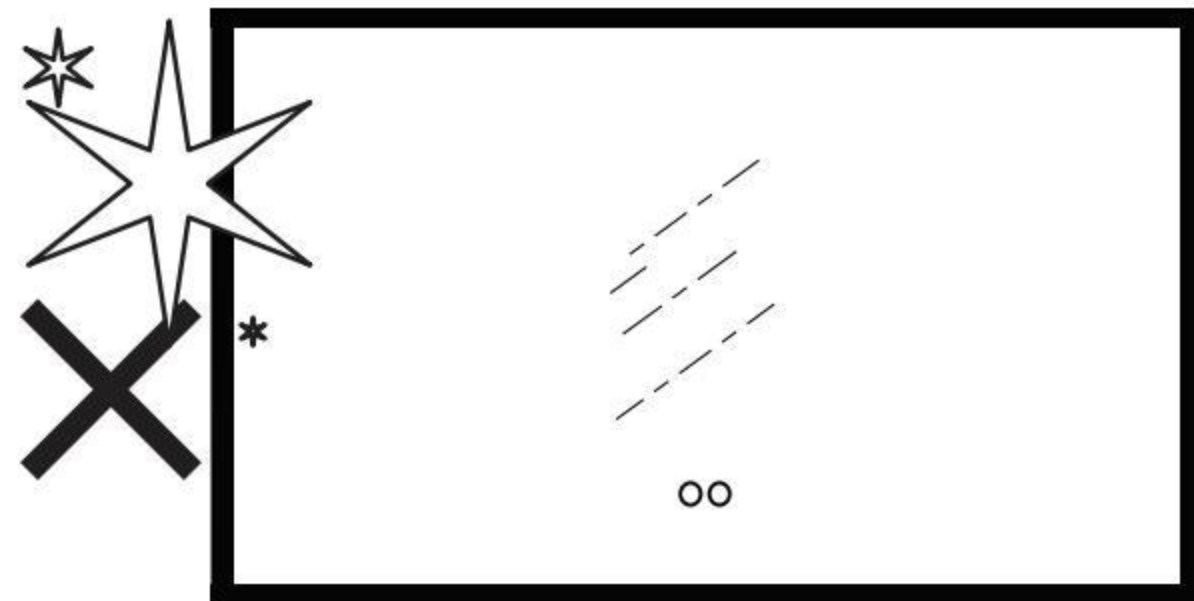
1. Please do not use if you found the mirror cabinet has been broken.
2. Never put any sharp or heavy material on the mirror surface, other wise the glass mirror will be broken and body injury accidents may occur .
3. Turn off the power switch in storm lightning weather to avoid electric parts damage.

Use and Maintenance:

CAUTION:

● USE

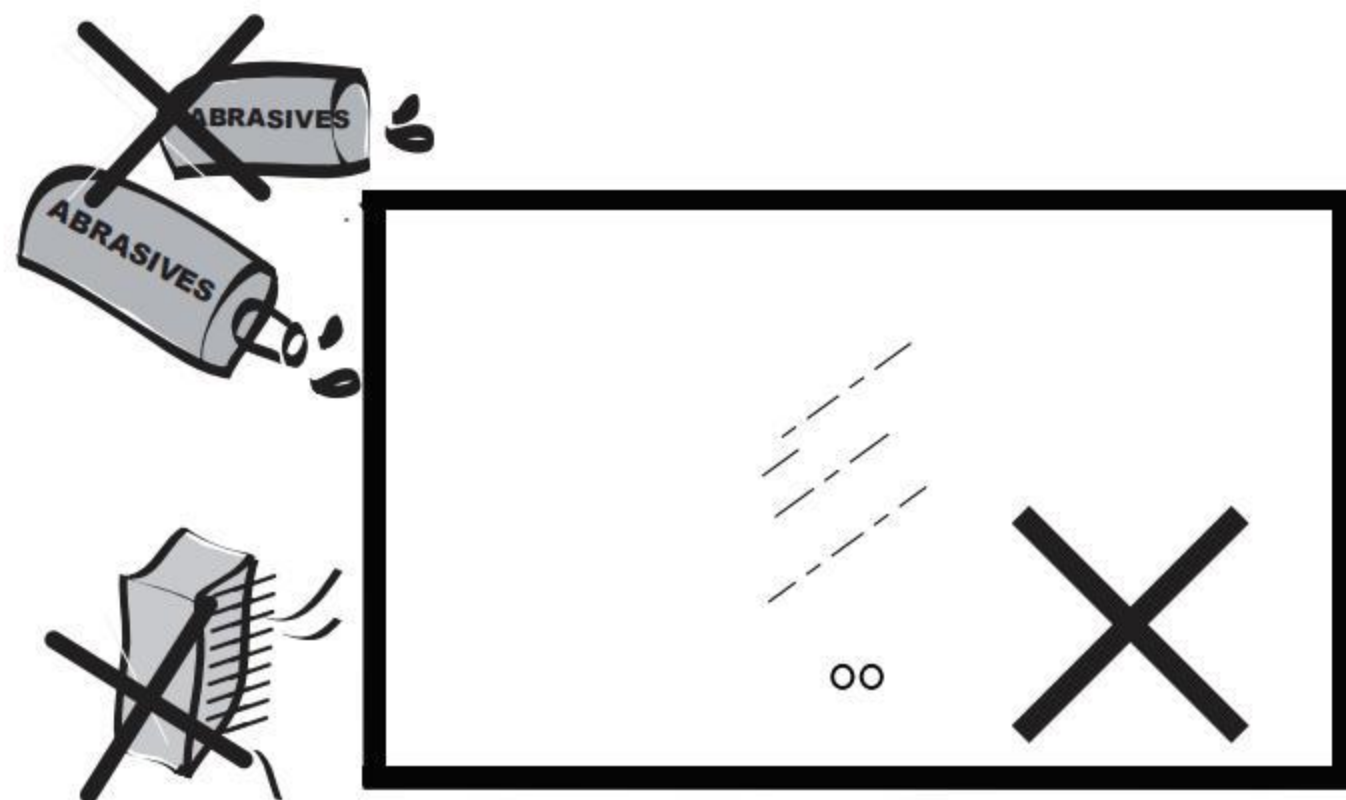
1



1. To avoid damage, do NOT knock the mirror cabinet with any hard objects;

● CLEANING

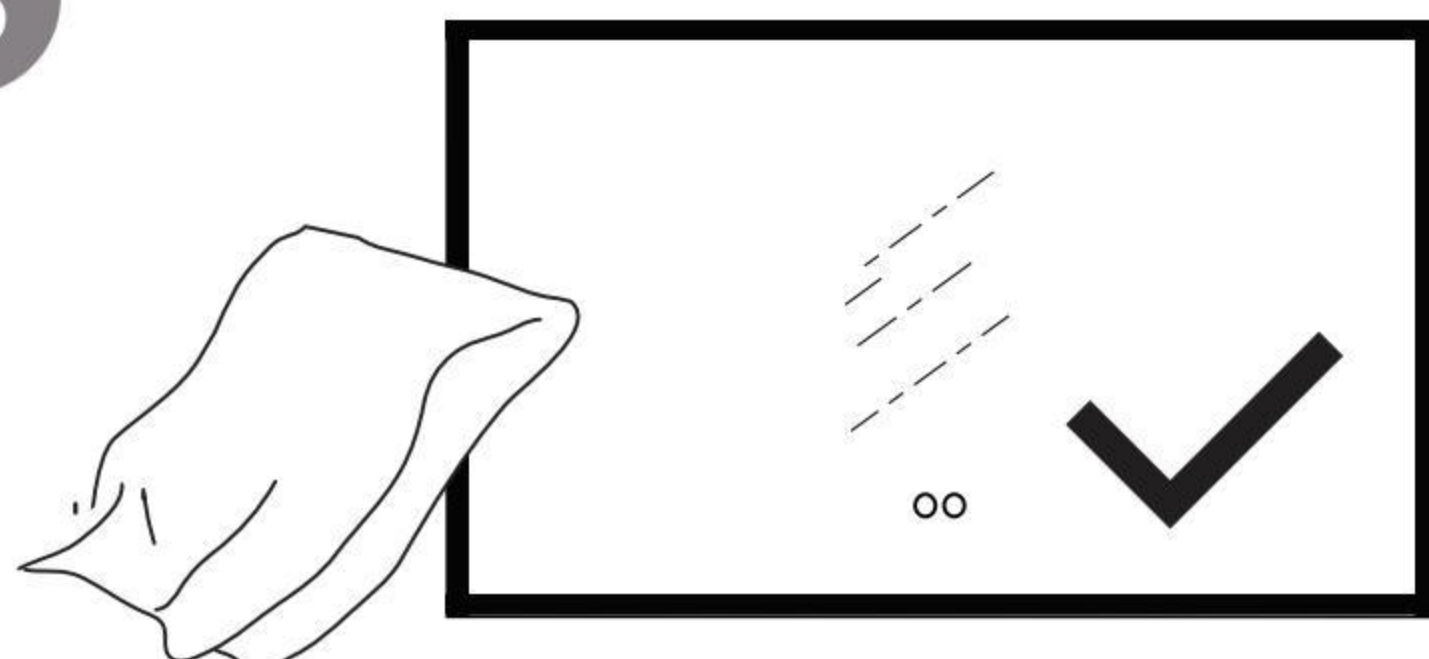
2



2. Do NOT clean the mirror cabinet with caustic cleaner. Do NOT wipe the mirror cabinet with Bristle brush;

● MAINTENANCE

3



3. For daily maintenance, please use soft cloth and mild cleaner to clean the mirror cabinet.

LIMITED WARRANTY

LIMITED WARRANTY TWO YEARS TERM:

WELLFOR® warrants to the original purchaser that, it will, at its election repair, replace, or make appropriate adjustment to products made by this company shown to have significant defects in material or workmanship which are reported to WELLFOR® in writing within two (2) years from the date of delivery. WELLFOR® is not responsible for installation costs. The warranty is void in the event the product is damaged in transit, or if damage or failure is caused by abuse, misuse, abnormal usage, faulty installation, damage in an accident, improper maintenance, or any repairs other than those authorized by WELLFOR®. At the expiration of the two years warranty period, WELLFOR® shall be under no further obligation under any warranty, expressed or implied, including the implied warranty of merchantability. WELLFOR® shall not be liable for any consequential damages arising out of or in connection with the use or performance of its products. Some states do not allow limitations on how long an implied warranty lasts or do not allow the exclusion or limitation of incidental or consequential damages, so the above limitation or exclusion may not apply to you. Any liability against WELLFOR® under any implied warranty, including the warranty of merchantability, is expressly limited to the terms of this warranty. Permission to return any merchandise under this warranty must be authorized by WELLFOR® and returned prepaid by the purchaser. Claims under this warranty should be sent directly to your dealer.

For customer support please call 206.809.0093 weekdays 9:00 to 6:00 PST, or by email: service@wellfor.com.

For more information: www.wellfor.com