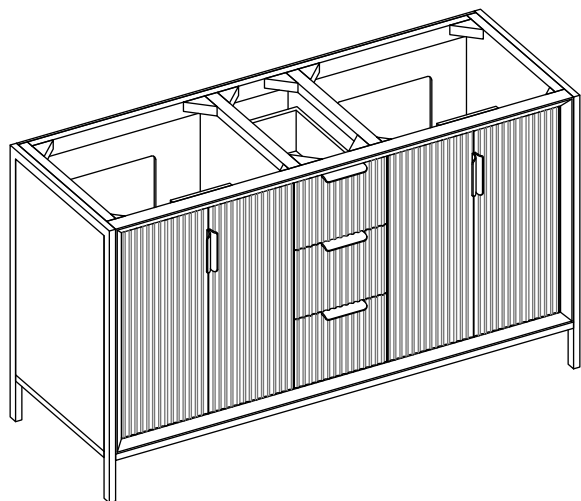


HANAH 60"

BATHROOM VANITY SET

SKU: HANAH60QZ-WT
HANAH60QZ-NB

Colors/Finishes: White, Navy Blue
Nominal Dimension:60W*22D*35H inches

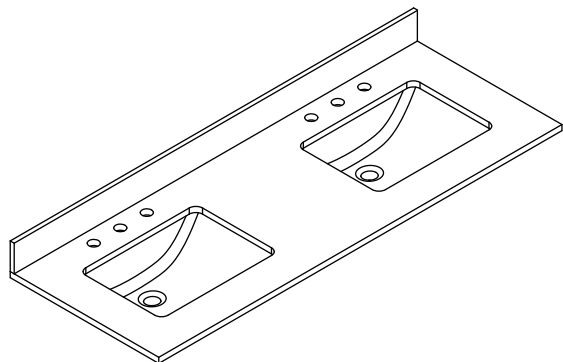


VANITY FEATURES:

- 1.Material: Solid poplar wood frame, high-quality veneer plywood.
- 2.Doors: 4 soft-close doors, Austria BLUM Soft-close hinges system.
- 3.Drawers: 3 soft-close drawers, Adams concealed soft-close sliders.
- 4.Hardware: Durable Golden anodized aluminum.
- 5.Installation Type: Freestanding.
- 6.Built-in Adjusters: Adjustable height levelers.
- 7.Vanity Top: High-quality quartz/marble with double undermount sinks.
- 8.Assemble required: No
- 9.Vanity top Included: Yes
- 10.Mirror Included: Optional
- 11.Medicine Cabinet Included: Optional

Contents

- 60"Vanity.....PAGE2
60"Vanity Top.....PAGE3
Vanity Installation.....PAGE4



VANITY TOP FEATURES:

- 1.Material: Highly resilient, nonporous, scratch-and stain-resistant quartz,or natural Italian Carrera white marble.
- 2.Top Color: Carrera white.
- 3.Sink: 2*20"undermount rectangle sink.
- 4.Faucet Hole s: Top pre-drilled for 8"widespread faucet holes.
- 5.Sink Certified: CUPC certified.
- 6.Backsplash: 4"backsplash included.
- 7.Faucet Included: No
- 8.Nominal Dimension(W*D*H): 60W*22D*0.79H inches

HANAH 60"

BATHROOM VANITY SET

SKU: HANAH60QZ-WT

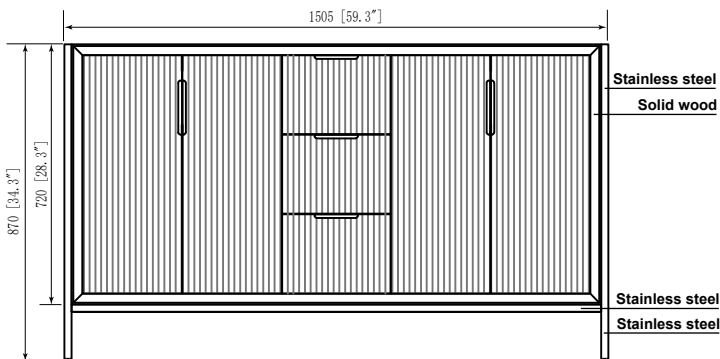
HANAH60QZ-NB

COMPONENTS:

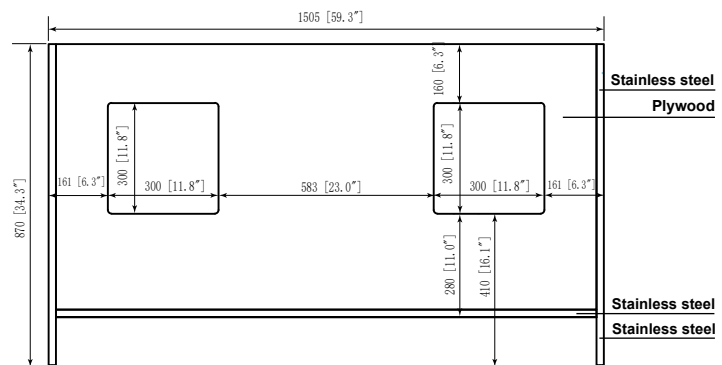
Vanity	HANAH60QZ-WT	HANAH60QZ-NB
Vanity Top	QZ60CW20HF	QZ60CW20HF
Wall Mirror	MD2832MR-WT*2	MD2832MR-NB*2
Medicine Cabinet	W4MCL2430*2	W4MCL2430*2

PRODUCT DIAGRAMS:

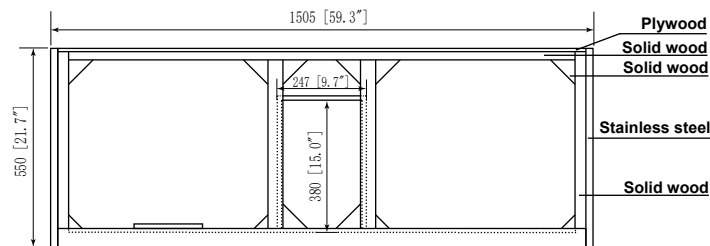
Front



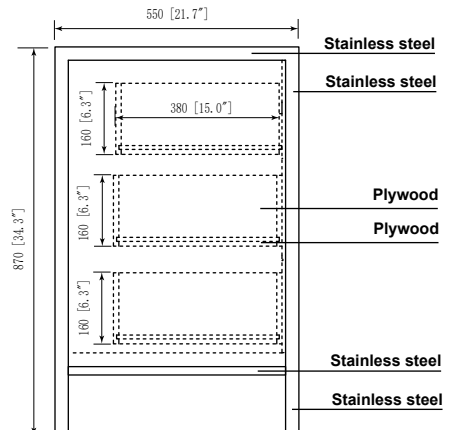
Back



Top



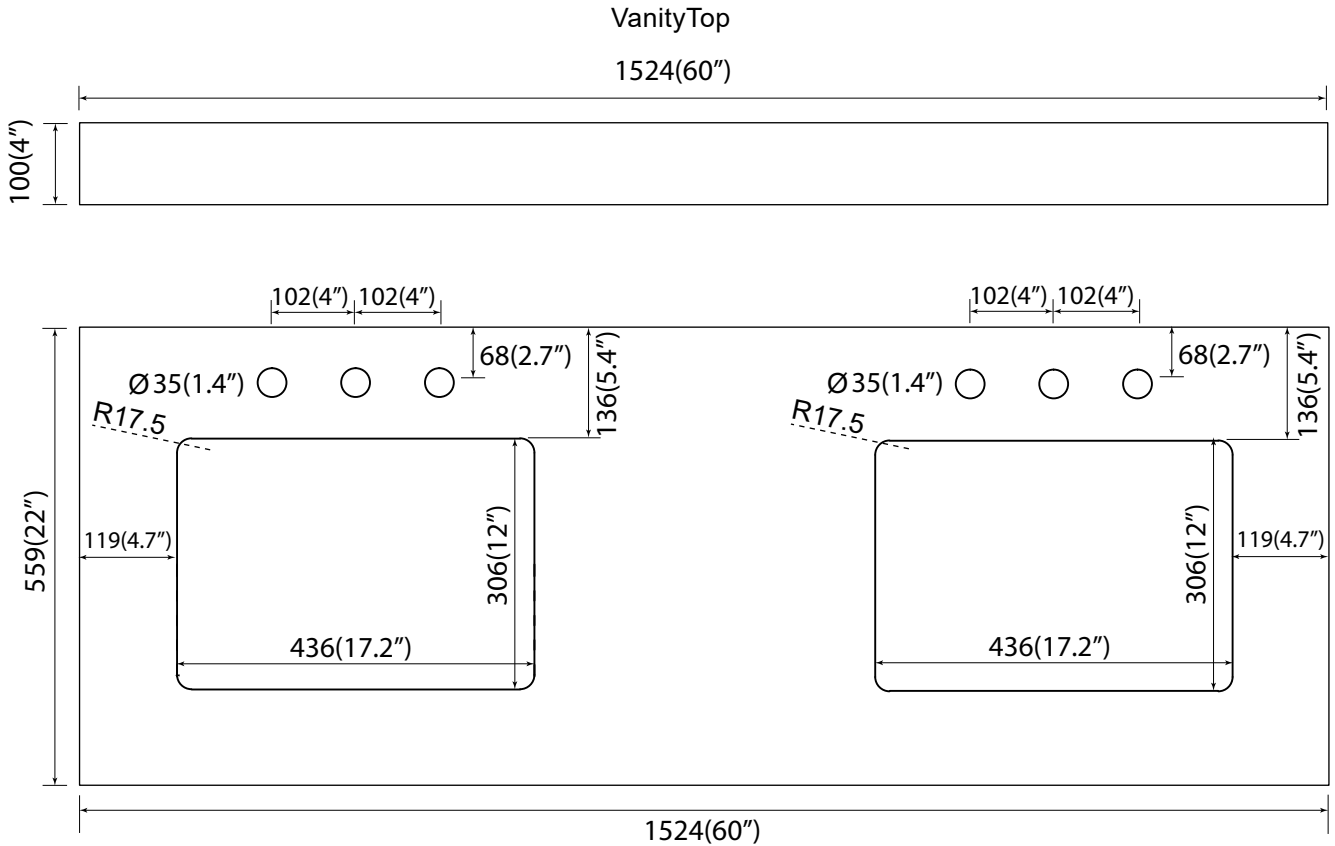
Side



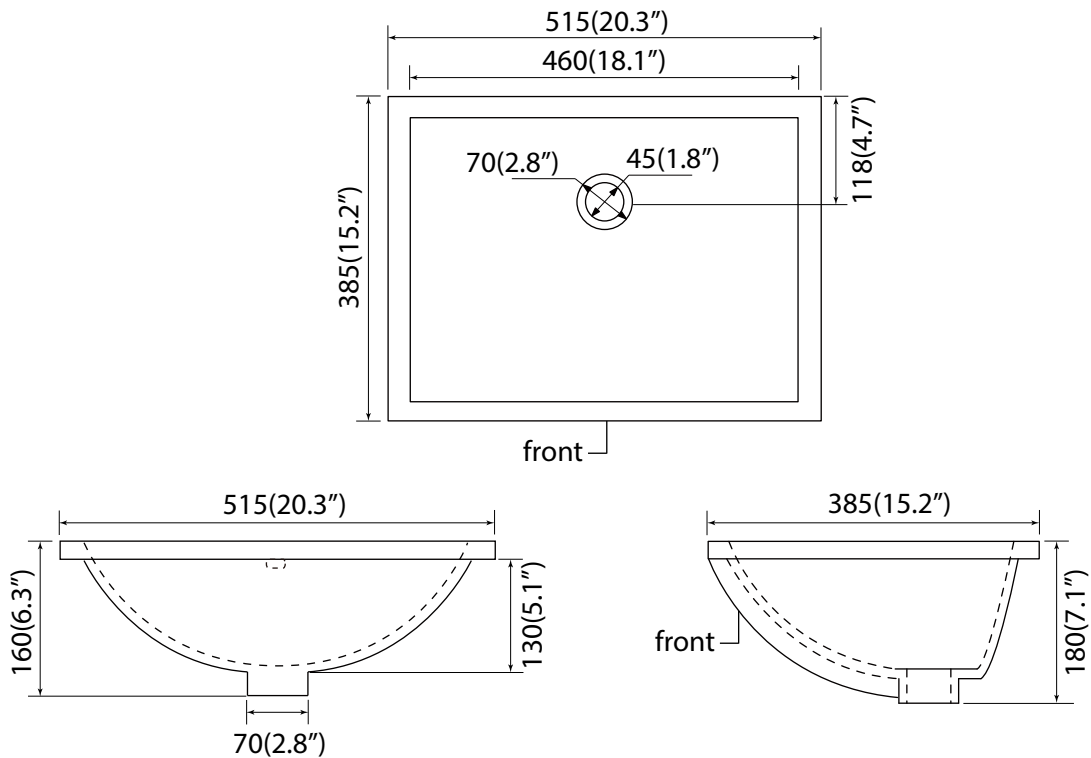
HANAH 60"

VANITY TOP

With rectangular undermount sink

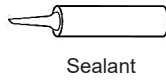


Undermount Sink



Vanity Installation

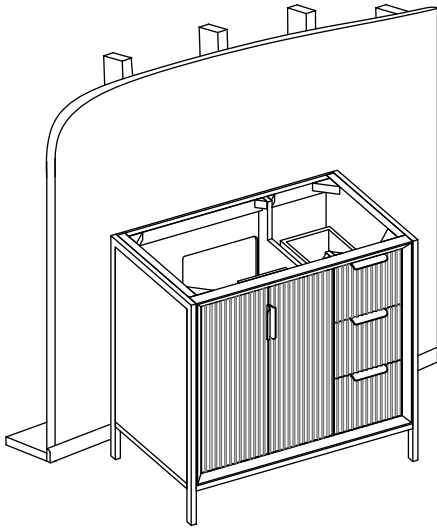
SUGGESTED TOOLS AND MATERIALS:



INSTALLATION INSTRUCTLONS

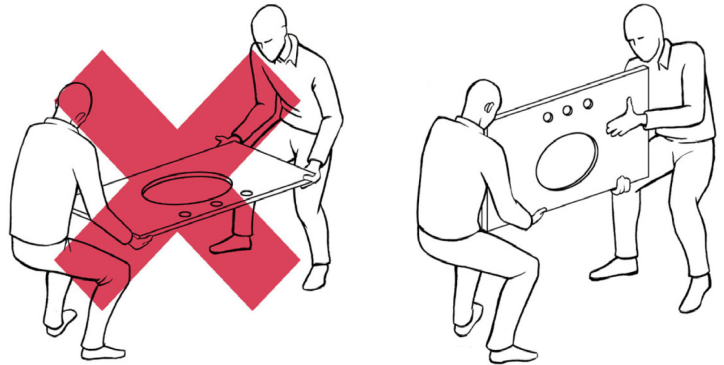
We recommend consulting a professional if you are unfamiliar with installing bathroom fixtures and plumbing .We accept no liability for any damage to the floor,plumbing, vanity cabinet,sink,counter top,or personal injury during installation.

1



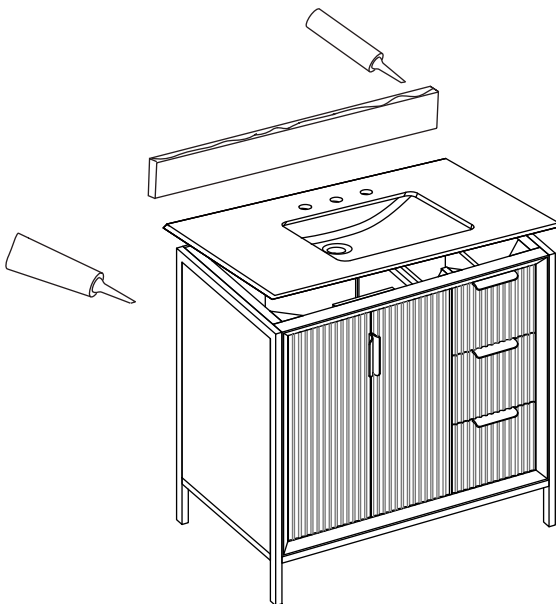
Remove vanity from box and examine vanity for any defects or damage.Carefully place vanity against wall.

2



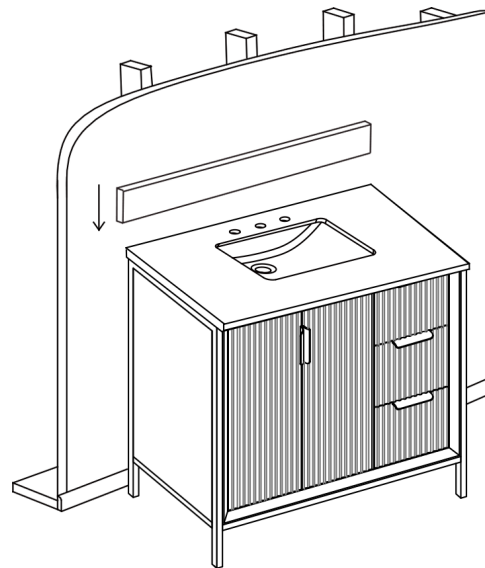
Always use a two man crew,a single person crew is much more likely to break or chip the stone top.

3



Apply bead of quality sealant evenly along the bottom of back splash and the top of the vanity.

4



Finally,place the bottom side of back splash with sealant onto the counter top and check alignment of back splash.