

HANAH 48"

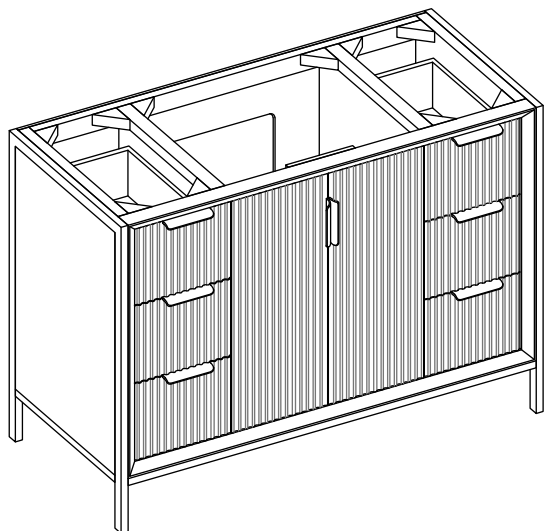
BATHROOM VANITY SET

SKU: HANAH48QZ-WT

HANAH48QZ-NB

Colors/Finishes: White, Navy Blue

Nominal Dimension: 48W*22D*35H inches

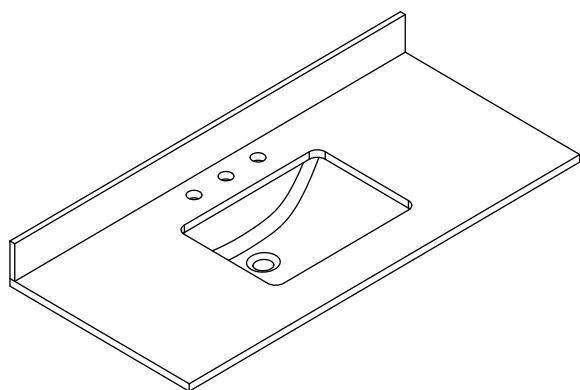


Contents

48"Vanity.....PAGE2

48"Vanity Top.....PAGE3

Vanity Installation.....PAGE4



VANITY FEATURES:

1. Material: Solid poplar wood frame, high-quality veneer plywood.
2. Doors: 2 soft-close doors, Austria BLUM Soft-close hinges system.
3. Drawers: 6 soft-close drawers, Adams concealed soft-close sliders.
4. Hardware: Durable Golden anodized aluminum.
5. Installation Type: Freestanding.
6. Built-in Adjusters: Adjustable height levelers.
7. Vanity Top: High-quality quartz/marble with single undermount sink.
8. Assemble required: No
9. Vanity top Included: Yes
10. Mirror Included: Optional
11. Medicine Cabinet Included: Optional

VANITY TOP FEATURES:

1. Material: Highly resilient, nonporous, scratch-and stain-resistant quartz, or natural Italian Carrera white marble.
2. Top Color: Carrera white.
3. Sink: 1*20" undermount rectangle sink.
4. Faucet Hole s: Top pre-drilled for 8" widespread faucet holes.
5. Sink Certified: CUPC certified.
6. Backsplash: 4" backplash included.
7. Faucet Included: No
8. Nominal Dimension(W*D*H): 48W*22D*0.79H inches

HANAH 48"

BATHROOM VANITY SET

SKU: HANAH48QZ-WT

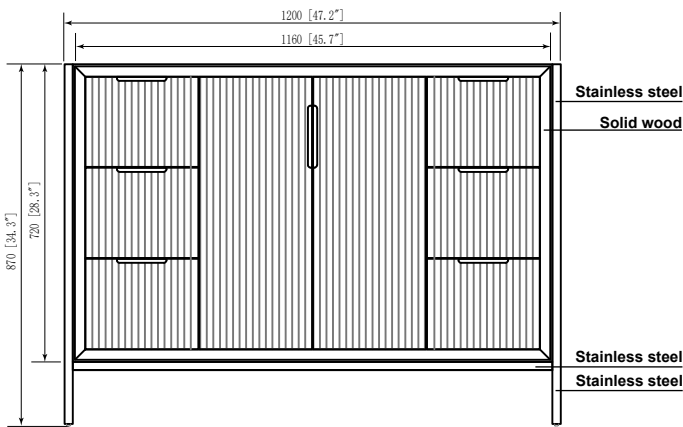
HANAH48QZ-NB

COMPONENTS:

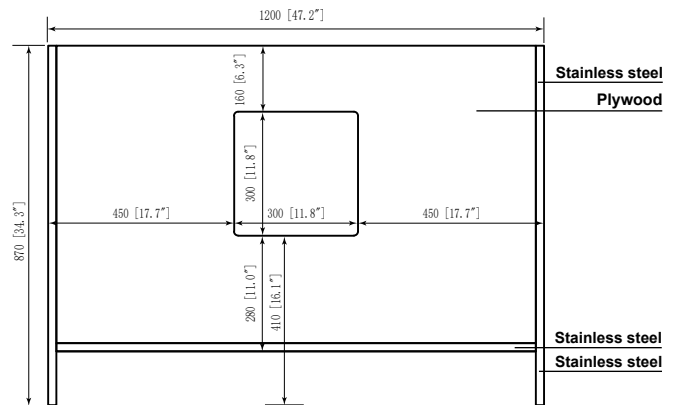
Vanity	HANAH48QZ-WT	HANAH48QZ-NB
Vanity Top	QZ48CW20HD	QZ48CW20HD
Wall Mirror	MD2832MR-WT	MD2832MR-NB
Medicine Cabinet	W4MCL3630	W4MCL3630

PRODUCT DIAGRAMS:

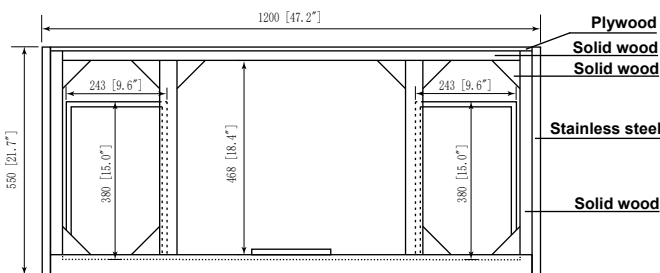
Front



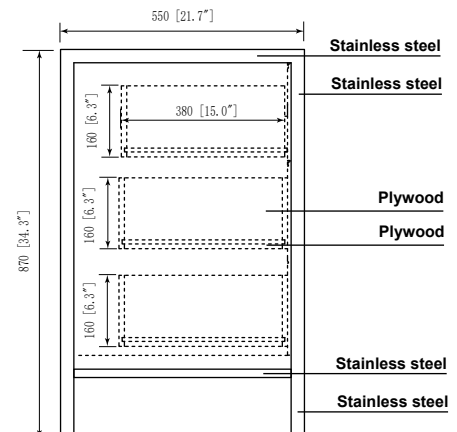
Back



Top



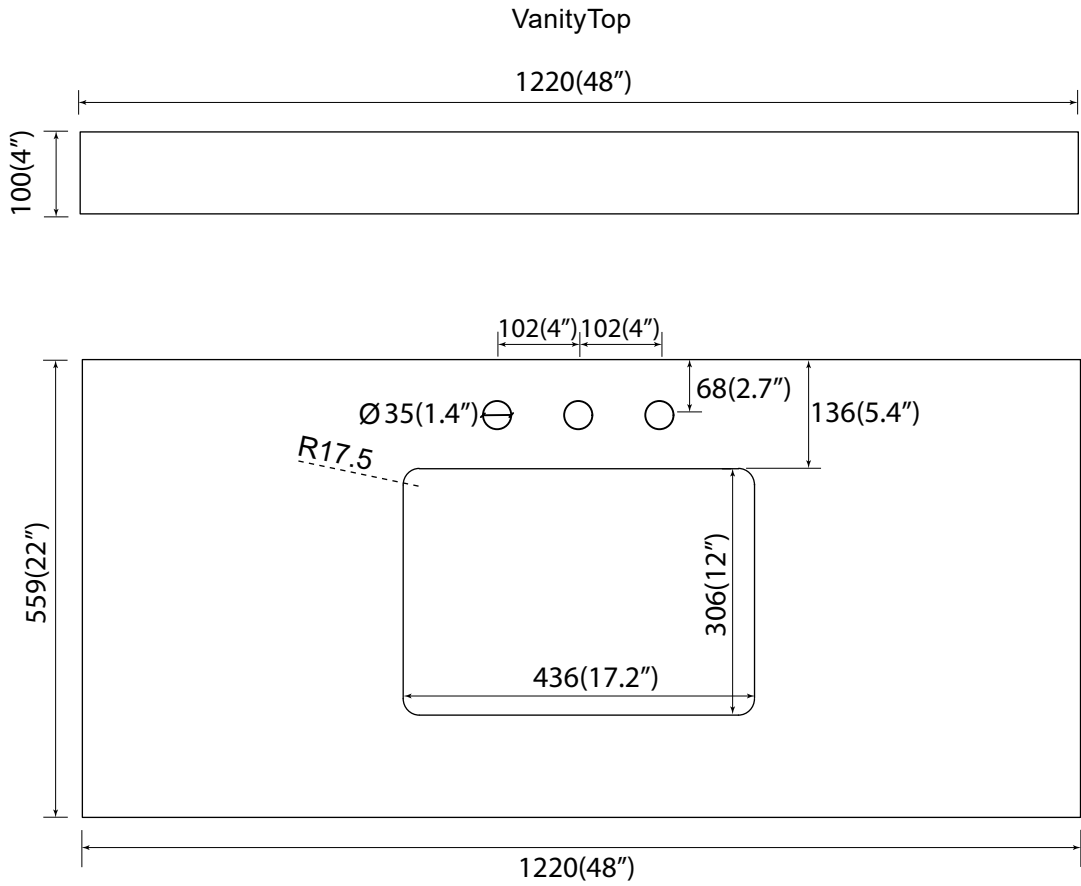
Side



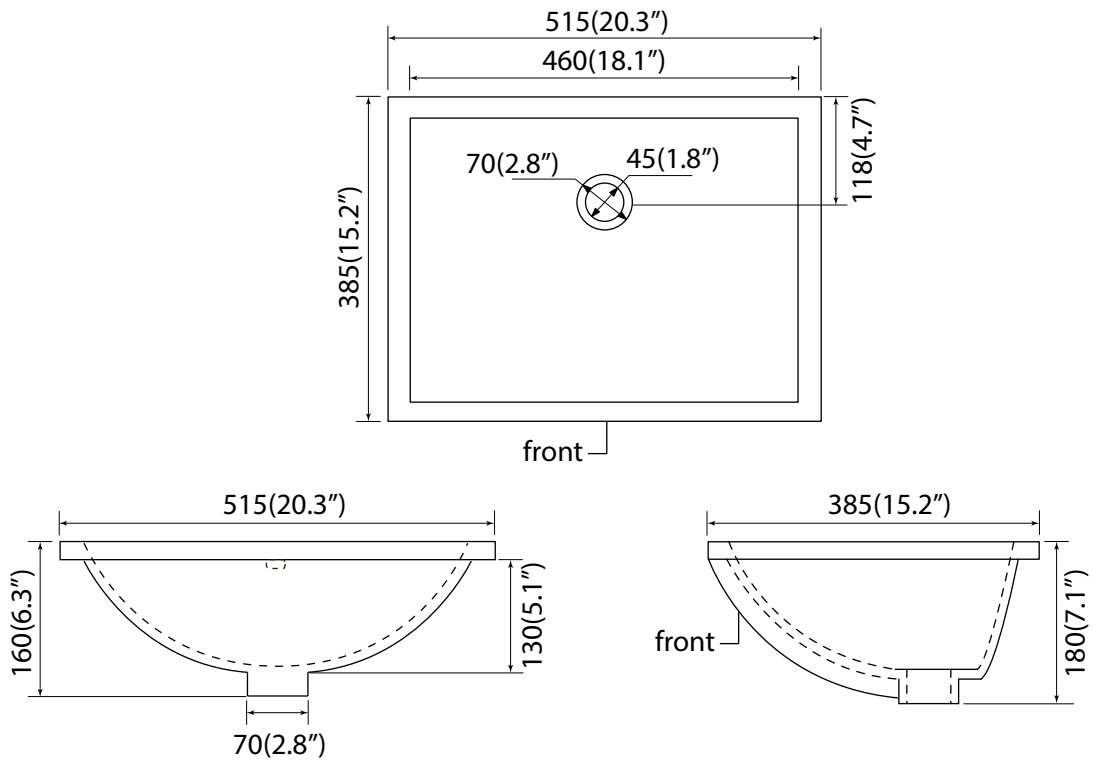
HANAH 48"

VANITY TOP

With rectangular undermount sink

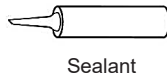


Undermount Sink



Vanity Installation

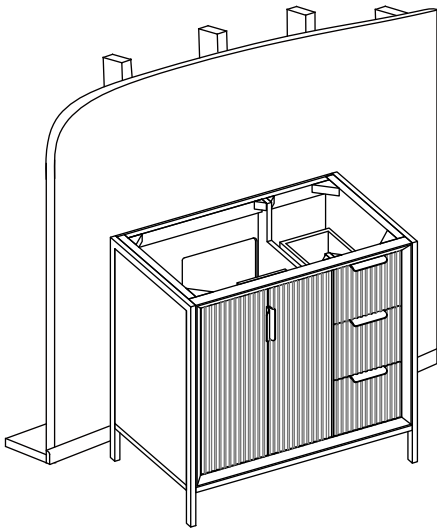
SUGGESTED TOOLS AND MATERIALS:



INSTALLATION INSTRUCTLONS

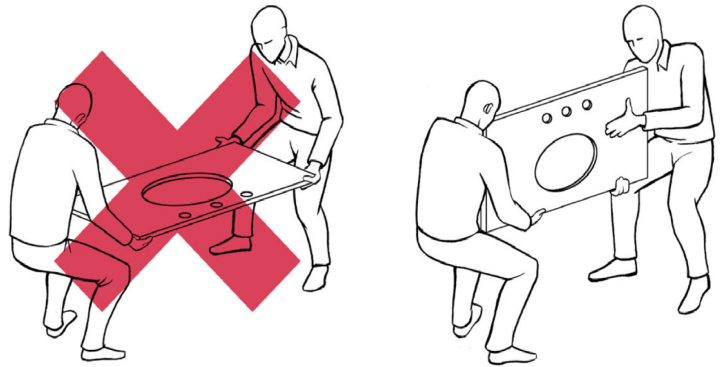
We recommend consulting a professional if you are unfamiliar with installing bathroom fixtures and plumbing .We accept no liability for any damage to the floor,plumbing, vanity cabinet,sink,counter top,or personal injury during installation.

1



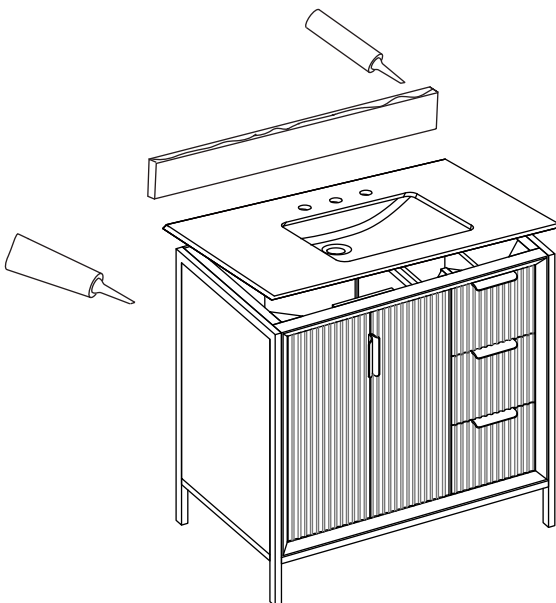
Remove vanity from box and examine vanity for any defects or damage.Carefully place vanity against wall.

2



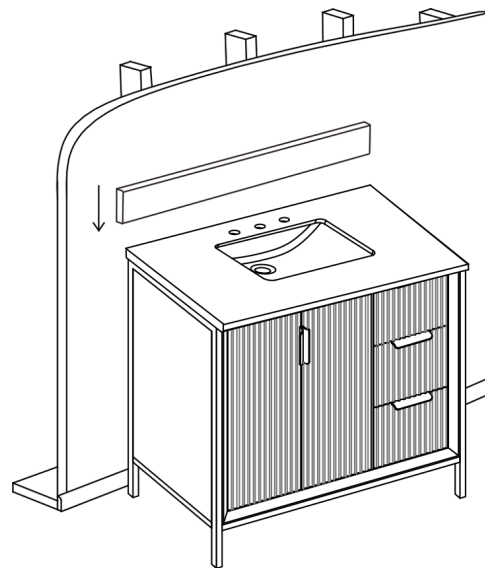
Always use a two man crew,a single person crew is much more likely to break or chip the stone top.

3



Apply bead of quality sealant evenly along the bottom of backsplash and the top of the vanity.

4



Finally,place the bottom side of back splash with sealant onto the counter top and check alignment of back splash.