

ELISA 60"

BATHROOM VANITY SET

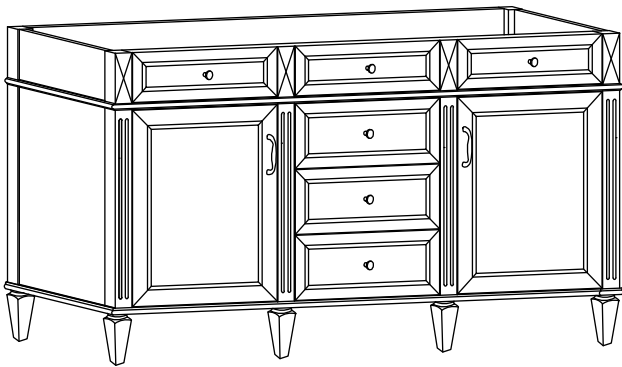
SKU: ELISA60QZ-WT

ELISA60QZ-TG

ELISA60QZ-NB

Colors/Finishes: White, Titanium Grey, Navy Blue

Nominal Dimension:60W*22D*35H inches



VANITY FEATURES:

- 1.Material: Solid popular wood frame, high-quality veneer plywood.
- 2.Doors: 2 soft-close doors, Austria BLUM Soft-close hinges system.
- 3.Drawers: 4 soft-close drawers, DTC concealed soft-close sliders.
- 4.Hardware: Metal alloy.
- 5.Installation Type: Freestanding.
- 6.Built-in Adjusters: Adjustable height levelers.
- 7.Vanity Top: High-quality quartz/marble with single undermount sink.
- 8.Assemble required: No
- 9.Vanity top Included: Yes
- 10.Mirror Included: Optional
- 11.Medicine Cabinet Included: Optional

Contents

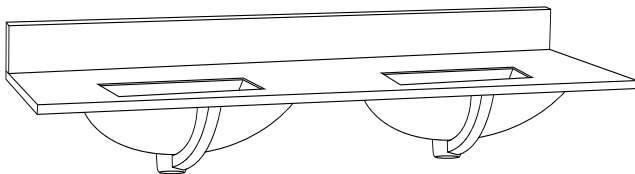
60"Vanity.....PAGE2

60"Vanity Top.....PAGE3

Vanity Installation.....PAGE4

VANITY TOP FEATURES:

- 1.Material: Highly resilient, nonporous, scratch-and stain-resistant quartz,or natural Italian Carrera white marble.
- 2.Top Color: Carrera white.
- 3.Sink: 2*20"undermount rectangle sink.
- 4.Faucet Holes: Top pre-drilled for 8"widspread faucet holes.
- 5.Sink Certified: CUPC certified.
- 6.Backsplash: 4"backsplash included.
- 7.Faucet Included: No
- 8.Nominal Dimension(W*D*H): 60W*22D*0.79H inches



ELISA 60"

BATHROOM VANITY SET

SKU: ELISA60QZ-WT

ELISA60QZ-TG

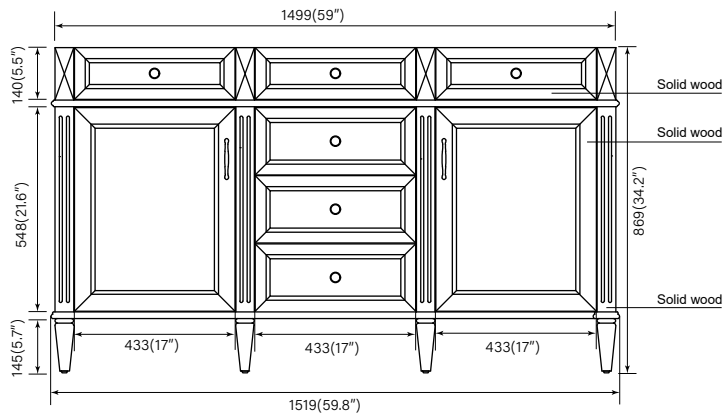
ELISA60QZ-NB

COMPONENTS:

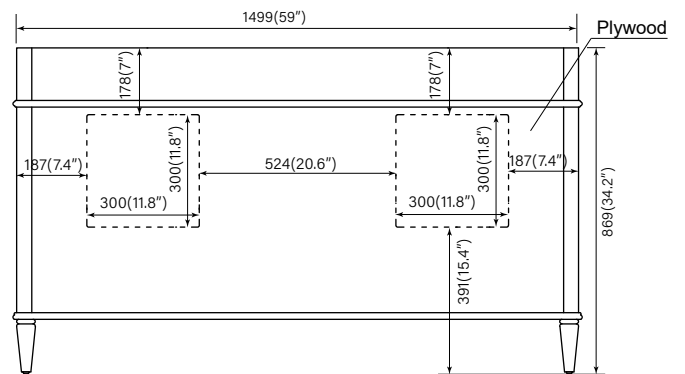
Vanity	ELISA60QZ-WT	ELISA60QZ-NB	ELISA60QZ-TG
Vanity Top	QZ60CW20	QZ60CW20	QZ60CW20
	MB60CW20	MB60CW20	MB60CW20
Wall Mirror	MR26YS1WT (1 Pair)	MR26YS1NB(1 Pair)	MR26YS1TG (1 Pair)
Medicine Cabinet	MED24YS1WT(1 Pair)	MED24YS1NB(1 Pair)	MED24YS1TG(1 Pair)
	MED55YS1WT	MED55YS1NB	MED55YS1TG

PRODUCT DIAGRAMS:

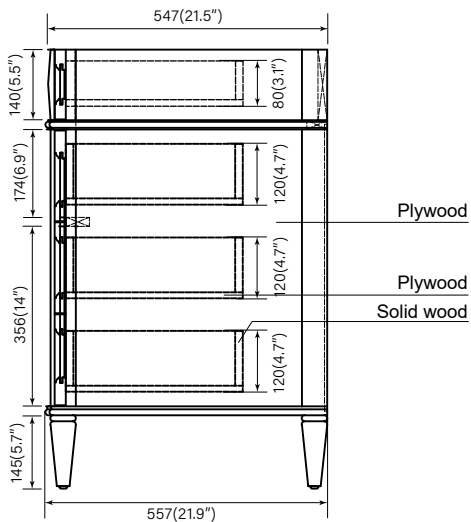
Front



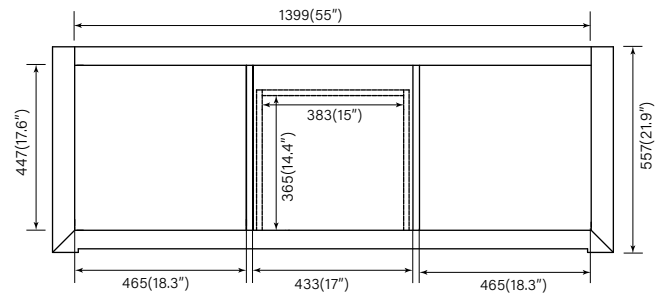
Back



Side



Top

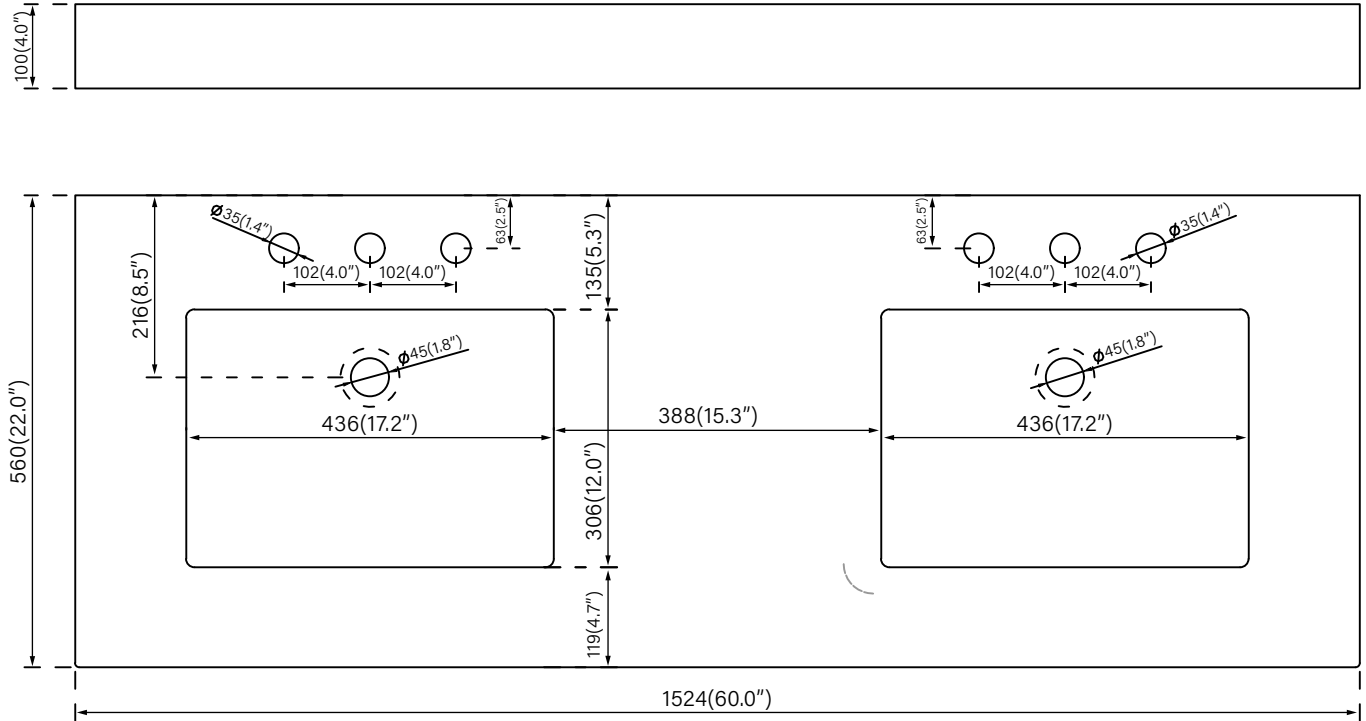


ELISA 60"

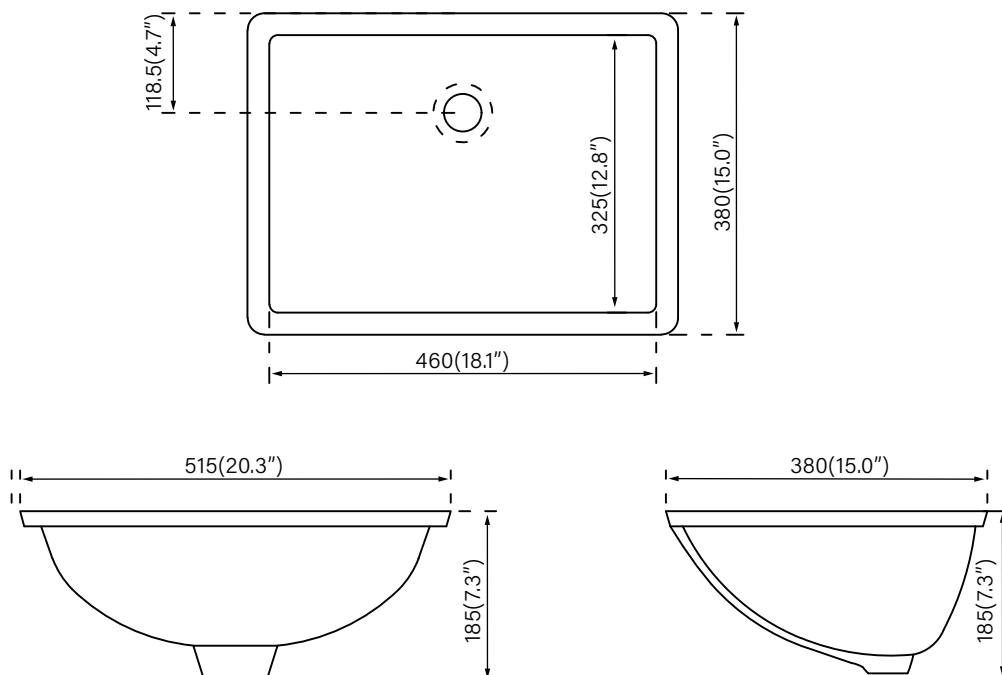
VANITY TOP

With rectangular undermount sink

VanityTop

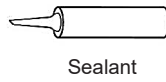


Undermount Sink



Vanity Installation

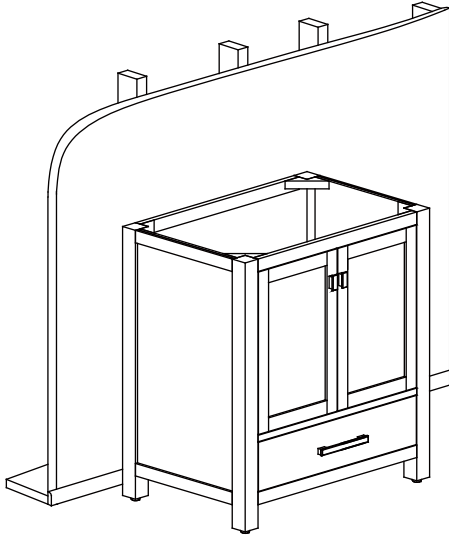
SUGGESTED TOOLS AND MATERIALS:



INSTALLATION INSTRUCTLONS

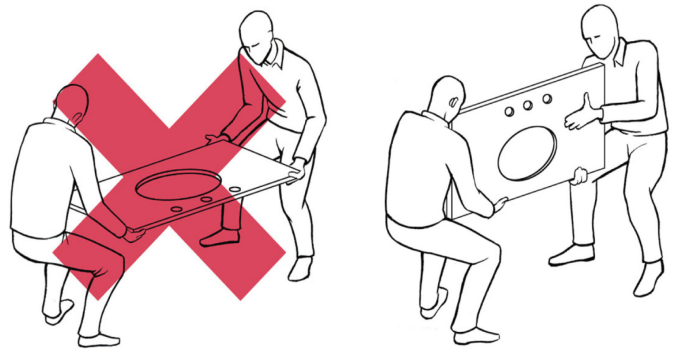
We recommend consulting a professional if you are unfamiliar with installing bathroom fixtures and plumbing. We accept no liability for any damage to the floor, plumbing, vanity cabinet, sink, counter top, or personal injury during installation.

1



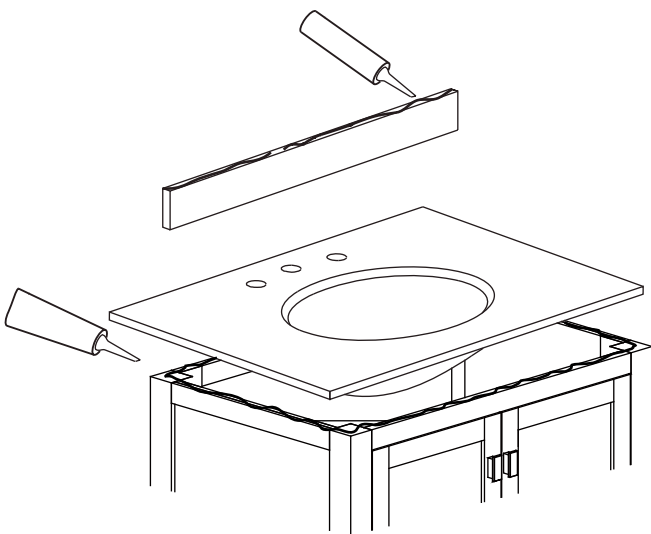
Remove vanity from box and examine vanity for any defects or damage. Carefully place vanity against wall.

2



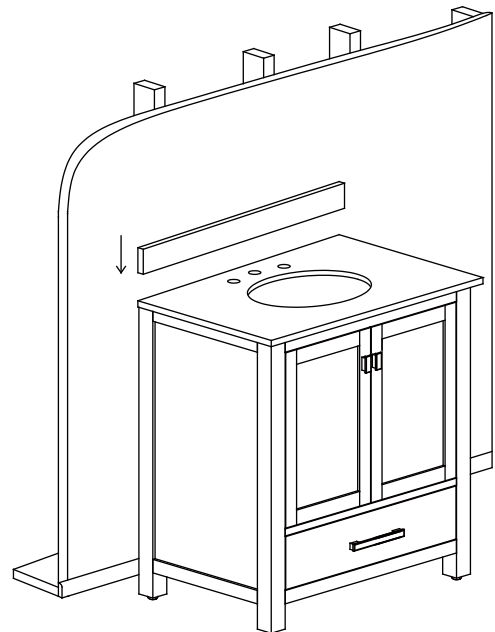
Always use a two man crew, a single person crew is much more likely to break or chip the stone top.

3



Apply bead of quality sealant evenly along the bottom of backsplash and the top of the vanity.

4



Finally, place the bottom side of back splash with sealant onto the counter top and check alignment of back splash.