

ELISA 36"

BATHROOM VANITY SET

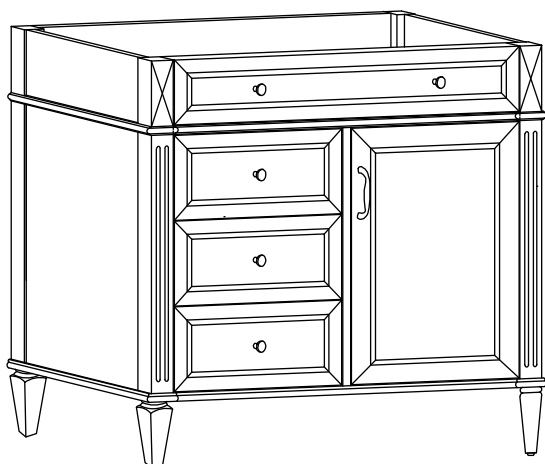
SKU: ELISA36QZ-WT

ELISA36QZ-TG

ELISA36QZ-NB

Colors/Finishes: White, Titanium Grey, Navy Blue

Nominal Dimension:36W*22D*35H inches



Contents

36"Vanity.....PAGE2

36"Vanity Top.....PAGE3

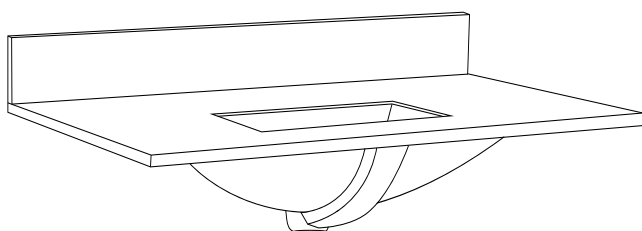
Vanity Installation.....PAGE4

VANITY FEATURES:

- 1.Material: Solid popular wood frame, high-quality veneer plywood.
- 2.Doors: 1 soft-close doors, Austria BLUM Soft-close hinges system.
- 3.Drawers: 3 soft-close drawers, DTC concealed soft-close sliders.
- 4.Hardware: Metal alloy.
- 5.Installation Type: Freestanding.
- 6.Built-in Adjusters: Adjustable height levelers.
- 7.Vanity Top: High-quality quartz/marble with single undermount sink.
- 8.Assemble required: No
- 9.Vanity top Included: Yes
- 10.Mirror Included: Optional
- 11.Medicine Cabinet Included: Optional

VANITY TOP FEATURES:

- 1.Material: Highly resilient, nonporous, scratch-and stain-resistant quartz,or natural Italian Carrera white marble.
- 2.Top Color: Carrera white.
- 3.Sink: 1*20"undermount rectangle sink.
- 4.Faucet Holes: Top pre-drilled for 8"widspread faucet holes.
- 5.Sink Certified: CUPC certified.
- 6.Backsplash: 4"backsplash included.
- 7.Faucet Included: No
- 8.Nominal Dimension(W*D*H): 36W*22D*0.79H inches



ELISA 36"

BATHROOM VANITY SET

SKU: ELISA36QZ-WT

ELISA36QZ-TG

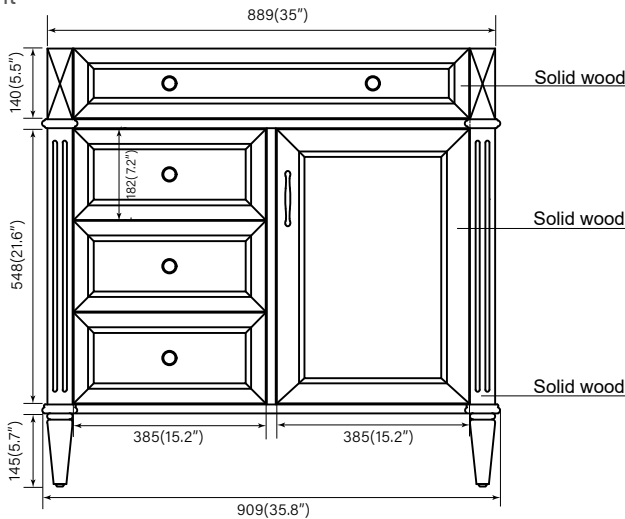
ELISA36QZ-NB

COMPONENTS:

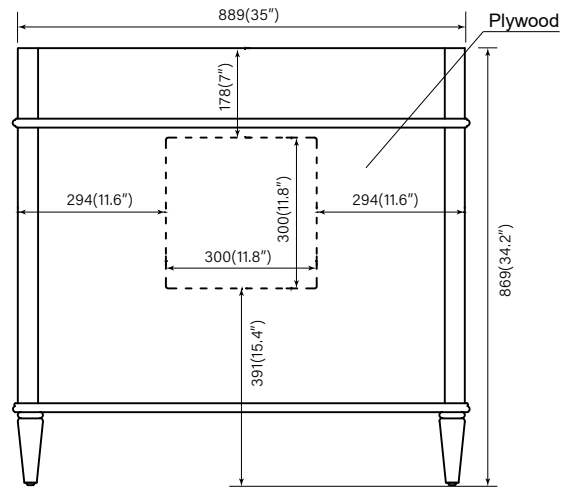
Vanity	ELISA36QZ-WT	ELISA36QZ-NB	ELISA36QZ-TG
Vanity Top	QZ36CW20	QZ36CW20	QZ36CW20
	MB36CW20	MB36CW20	MB36CW20
Wall Mirror	MR32YS1WT	MR32YS1NB	MR32YS1TG
Medicine Cabinet	MED24YS1WT	MED24YS1NB	MED24YS1TG

PRODUCT DIAGRAMS:

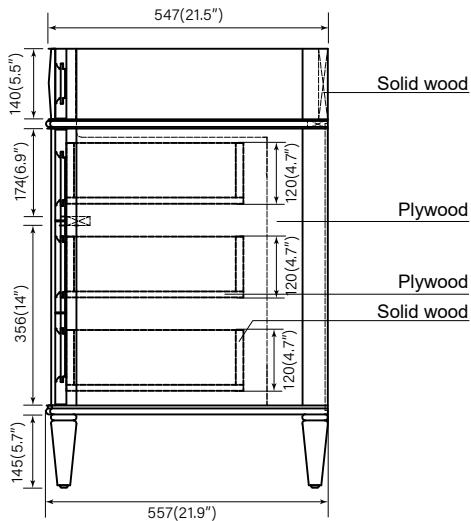
Front



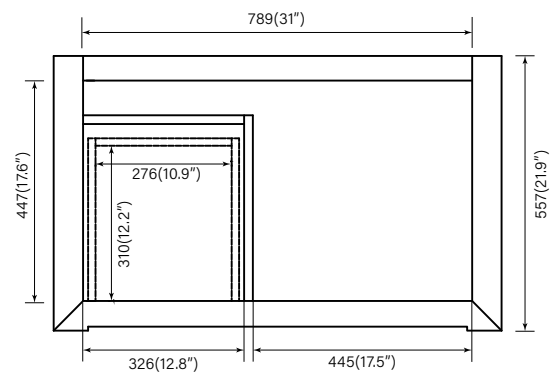
Back



Side



Top

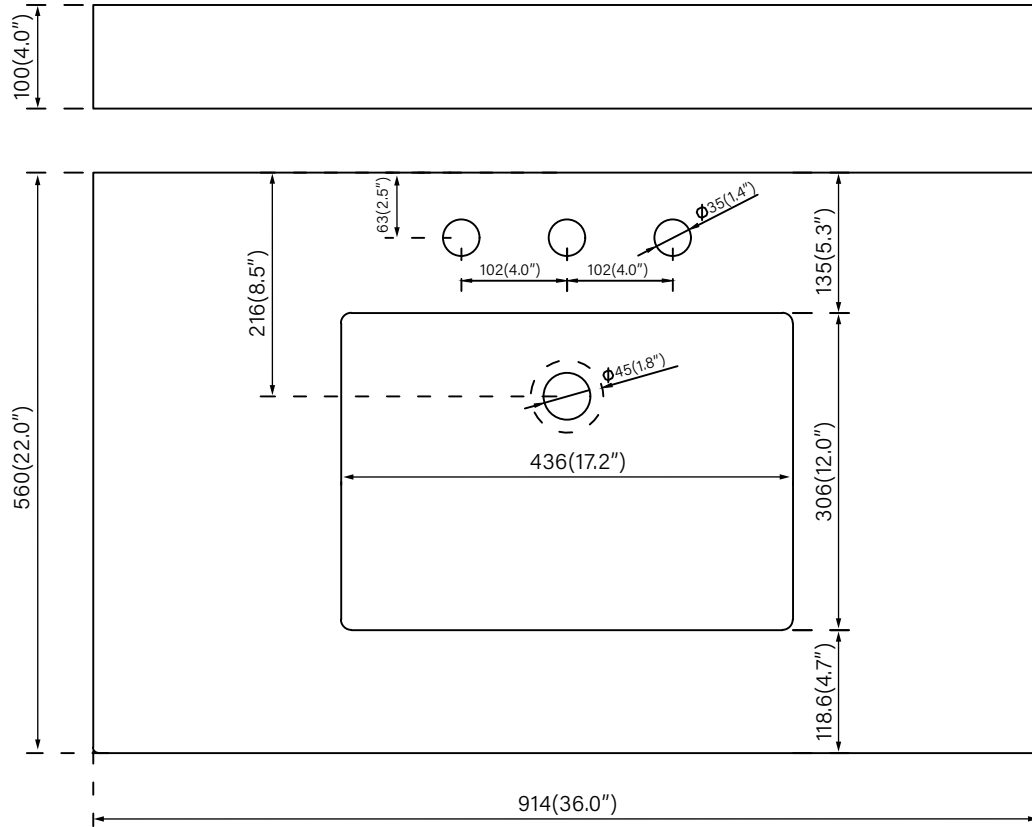


ELISA 36"

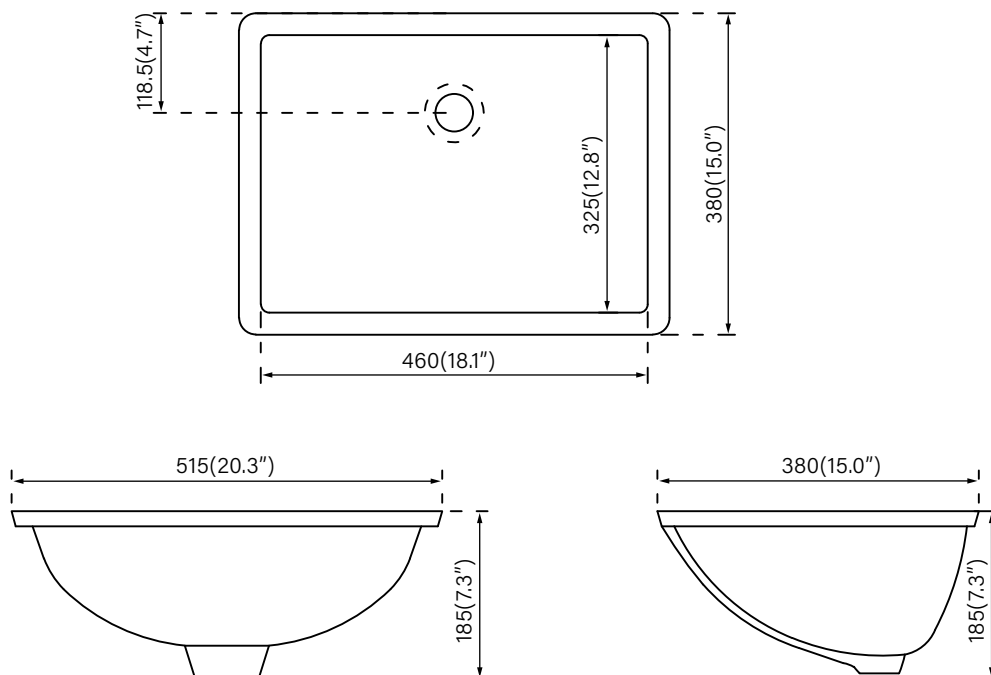
VANITY TOP

With rectangular undermount sink

VanityTop

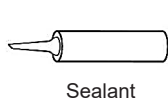


Undermount Sink



Vanity Installation

SUGGESTED TOOLS AND MATERIALS:



Sealant



Measuring tape



Safety glasses



Rag

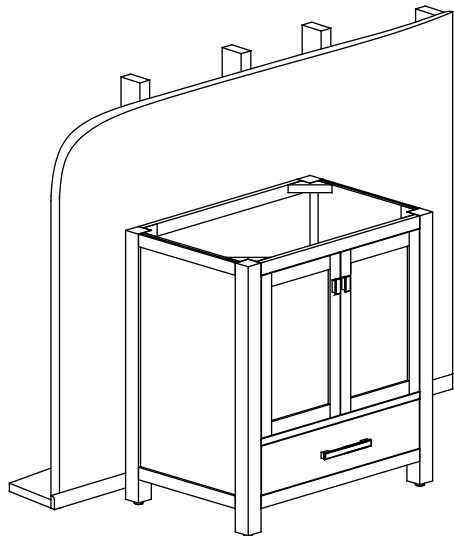


Level

INSTALLATION INSTRUCTLONS

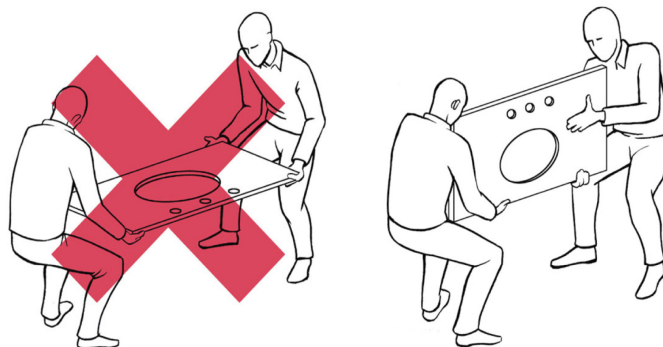
We recommend consulting a professional if you are unfamiliar with installing bathroom fixtures and plumbing .We accept no liability for any damage to the floor,plumbing, vanity cabinet,sink,counter top,or personal injury during installation.

1



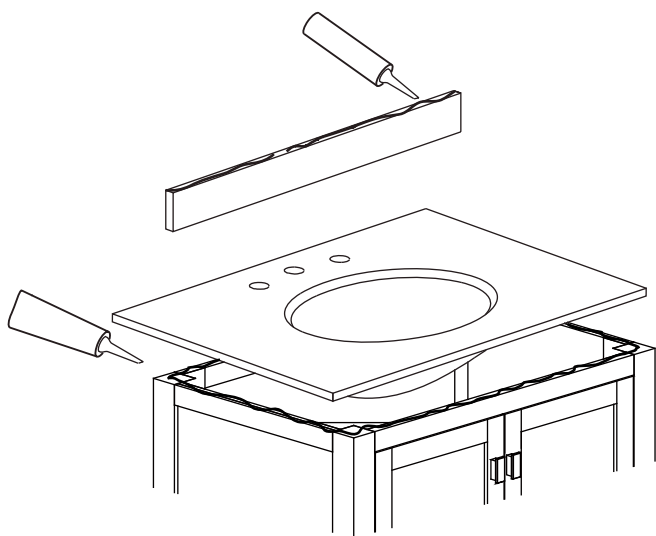
Remove vanity from box and examine vanity for any defects or damage.Carefully place vanity against wall.

2



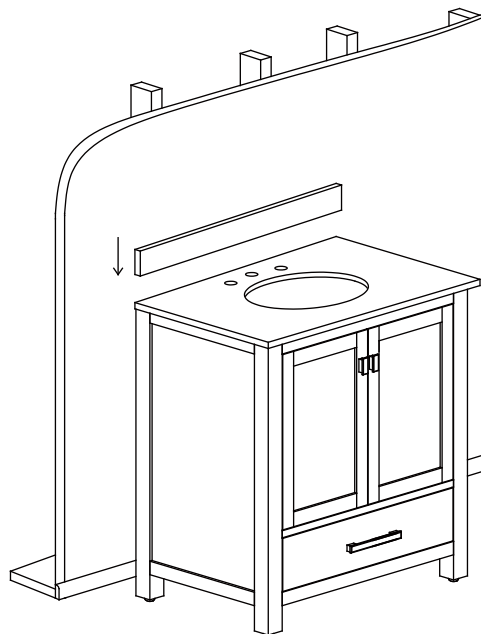
Always use a two man crew,a single person crew is much more likely to break or chip the stone top.

3



Apply bead of quality sealant evenly along the bottom of backsplash and the top of the vanity.

4



Finally,place the bottom side of back splash with sealant onto the counter top and check alignment of back splash.