

MIRROR CABINET 40''

DB4032MC

MIRROR CABINET

SKU: DB4032MC-WT

DB4032MC-TG

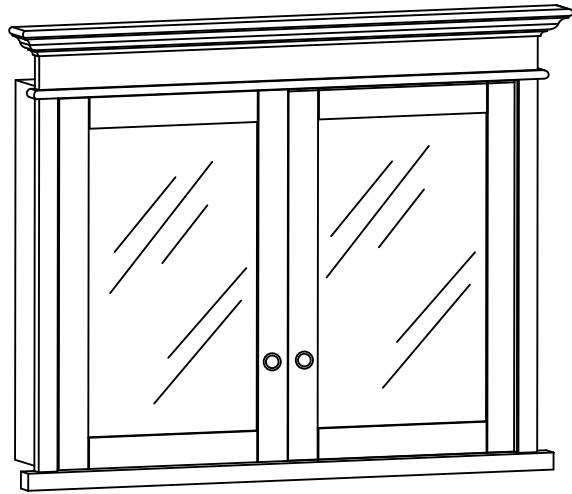
DB4032MC-NB

Colors/Finishes: White, Titanium Grey, Navy Blue

Nominal Dimension: 40W*6.6D*32H inches

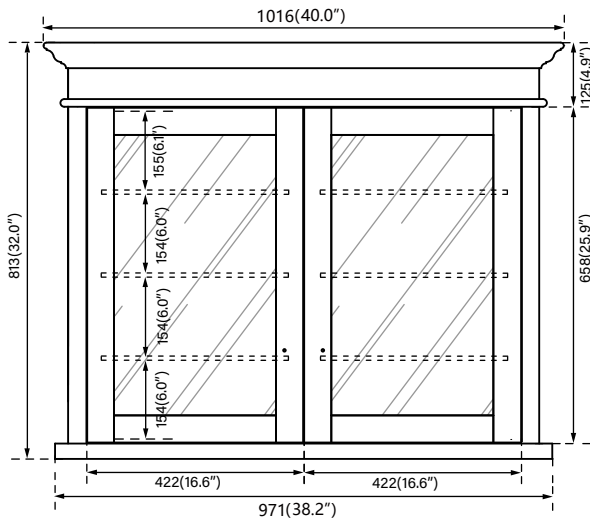
FEATURES:

- Durable solid popular wood frame
- Anti-fog glass
- 2 soft-close door
- Recess mount installation
- 6 adjustable glass shelves inside
- Metal alloy hardware with decorative porcelain
- Austria BLUM soft-close hinges system

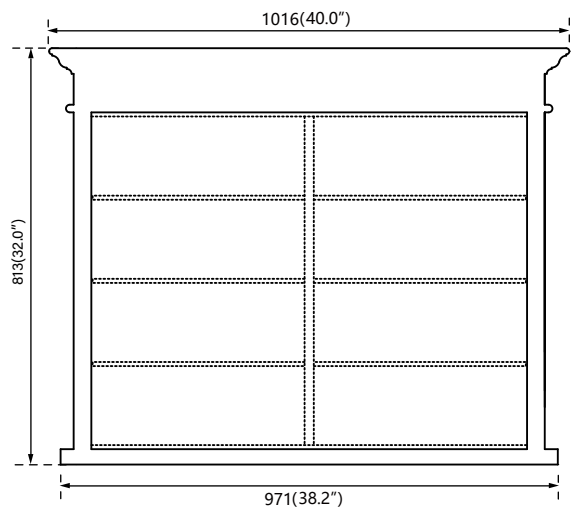


PRODUCT DIAGRAMS:

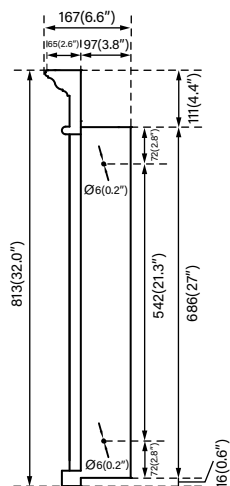
Front



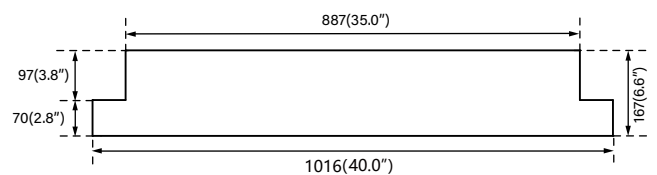
Back



Side



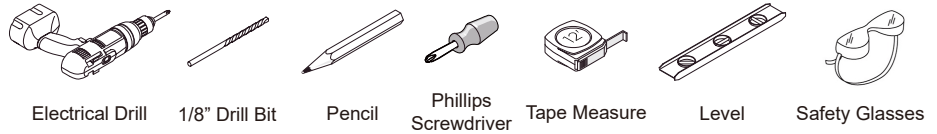
Top



MIRROR CABINET INSTALLATION

DB4032MC

SUGGESTED TOOLS AND MATERIALS:



INSTALLATION INSTRUCTIONS

We recommend consulting a professional if you are unfamiliar with installing bathroom fixtures and plumbing. We accept no liability for any damage to the floor, medicine cabinet, vanity cabinet, sink, counter top, or personal injury during installation.

PART LIST:



NOTE: Determine overall mirror dimensions before installation.
Requires two(2) person in installation.

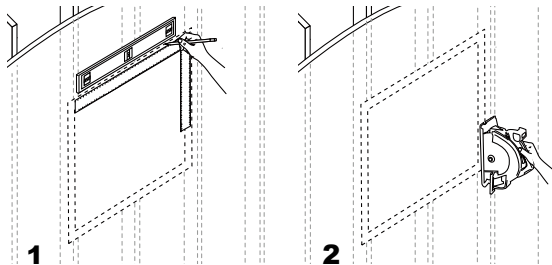
Accessories and parts may vary from the picture above. Depends on the product model and size.

Recess Mount Installation

1 PREPARING THE INSTALLATION LOCATION

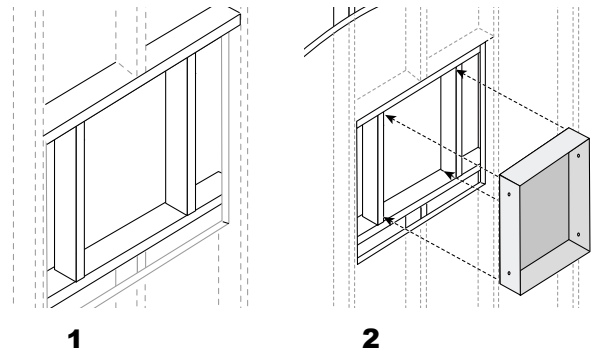
NOTE: Before installing, make sure all parts are present. Compare parts with the Hardware included list. If any part is missing or damaged, do not attempt to install the product.

- Determine placement and mark an opening 1/2 in. taller and wider than the cabinet (1).
- Cut along the center of the wall studs (2).



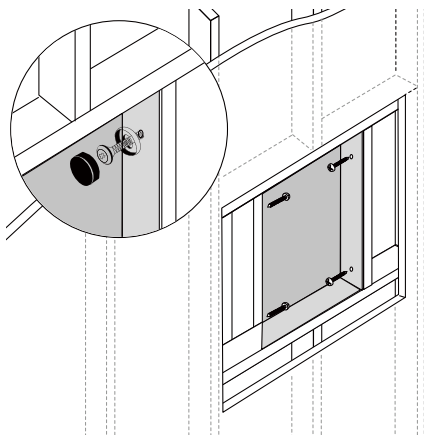
2 INSTALLING THE CABINET

- Secure the sill plate and header with nails (1).
- Insert the cabinet into the opening (2).



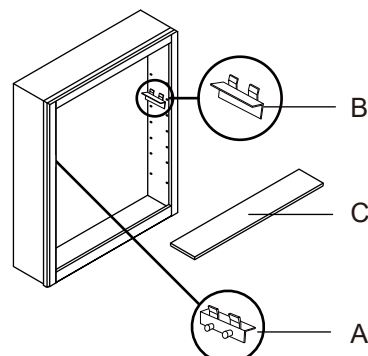
3 SECURING THE CABINET TO THE WALL

- Secure the cabinet to the wall through the sides with screws.



4 INSTALLING THE SHELVES

- Insert the shelf clips (A) into the holes on the left side of the cabinet. Repeat on the right side (B).
- Rest the glass shelves (C) on the shelf clips (A&B), then simultaneously press downward on both ends to securely fit the glass shelf into the shelf clips.



* No need to take off the door(s) before adjusting cabinet shelves.