

# ARTWOOD 36"

## BATHROOM VANITY SET

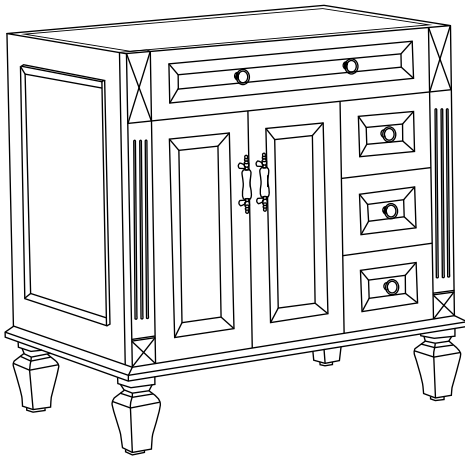
SKU: ARTWOOD36QZ-WT

ARTWOOD36QZ-NB

ARTWOOD36QZ-TG

Colors/Finishes: White, Navy Blue, Titanium Grey

Nominal Dimension:36W\*22D\*35H inches



### Contents

36"Vanity.....PAGE2

36"Vanity Top.....PAGE3

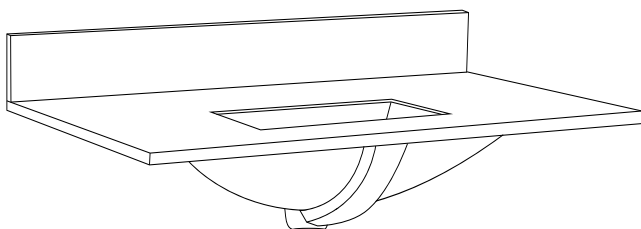
Vanity Installation.....PAGE4

### VANITY FEATURES:

- 1.Material: Solid popular wood frame, high-quality veneer plywood.
- 2.Doors: 2 soft-close doors, Austria BLUM Soft-close hinges system.
- 3.Drawers: 3 soft-close drawers, DTC concealed soft-close sliders.
- 4.Hardware: Metal alloy with decorative porcelain.
- 5.Installation Type: Freestanding.
- 6.Built-in Adjusters: Adjustable height levelers.
- 7.Vanity Top: High-quality quartz/marble with single undermount sink.
- 8.Assemble required: No
- 9.Vanity top Included: Yes
- 10.Mirror Included: Optional
- 11.Medicine Cabinet Included: Optional

### VANITY TOP FEATURES:

- 1.Material: Highly resilient, nonporous, scratch-and stain-resistant quartz,or natural Italian Carrera white marble.
- 2.Top Color: Carrera white
- 3.Sink: 1\*20"undermount rectangle sink.
- 4.Faucet Holes: Top pre-drilled for 8"widspread faucet holes.
- 5.Sink Certified: CUPC certified
- 6.Backsplash: 4"backsplash included
- 7.Faucet Included: No
- 8.Nominal Dimension(W\*D\*H): 36W\*22D\*0.79H inches



# ARTWOOD 36<sup>''</sup>

## BATHROOM VANITY SET

SKU: ARTWOOD36QZ-WT

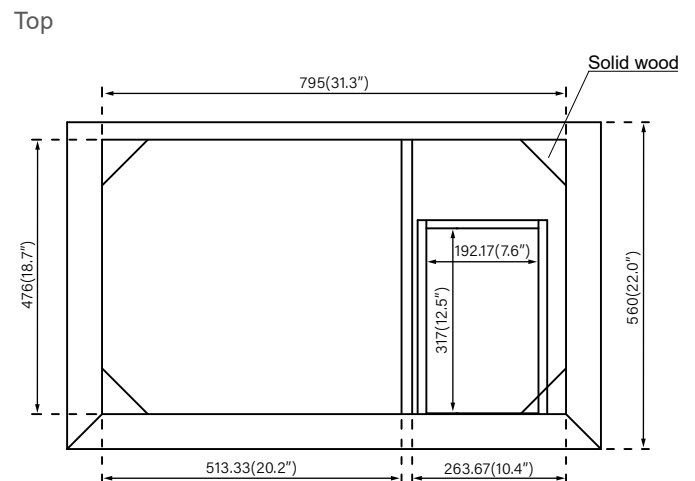
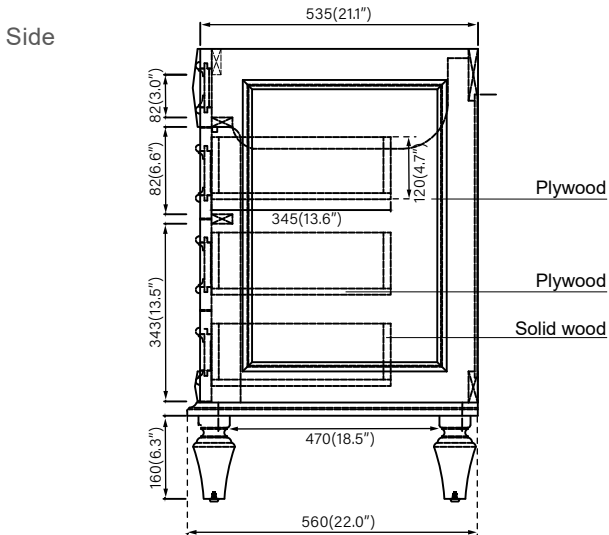
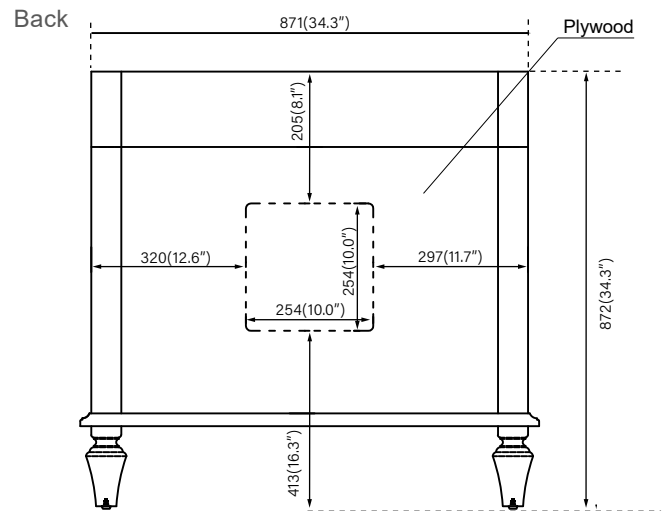
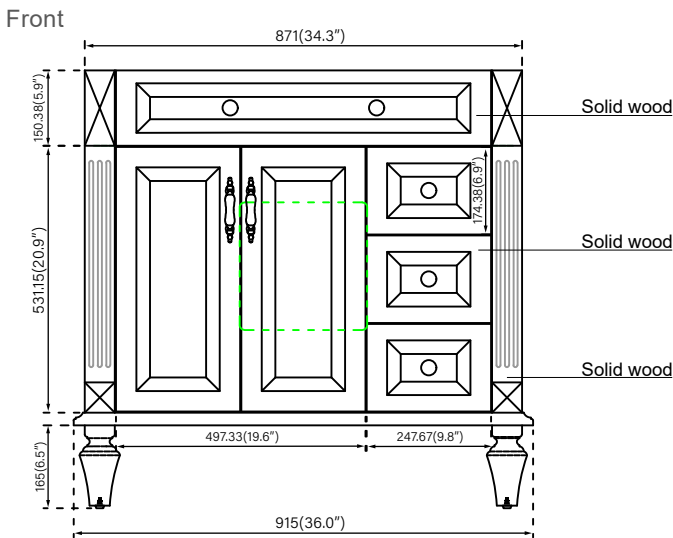
ARTWOOD36QZ-NB

ARTWOOD36QZ-TG

### COMPONENTS:

Vanity	ARTWOOD36QZ-WT	ARTWOOD36QZ-NB	ARTWOOD36QZ-TG
Vanity Top	QZ37CW20	QZ37CW20	QZ37CW20
	MB37CW20	MB37CW20	MB37CW20
Wall Mirror	MR32YS1WT	MR32YS1NB	MR32YS1TG
Medicine Cabinet	MED24YS1WT	MED24YS1NB	MED24YS1TG

### PRODUCT DIAGRAMS:

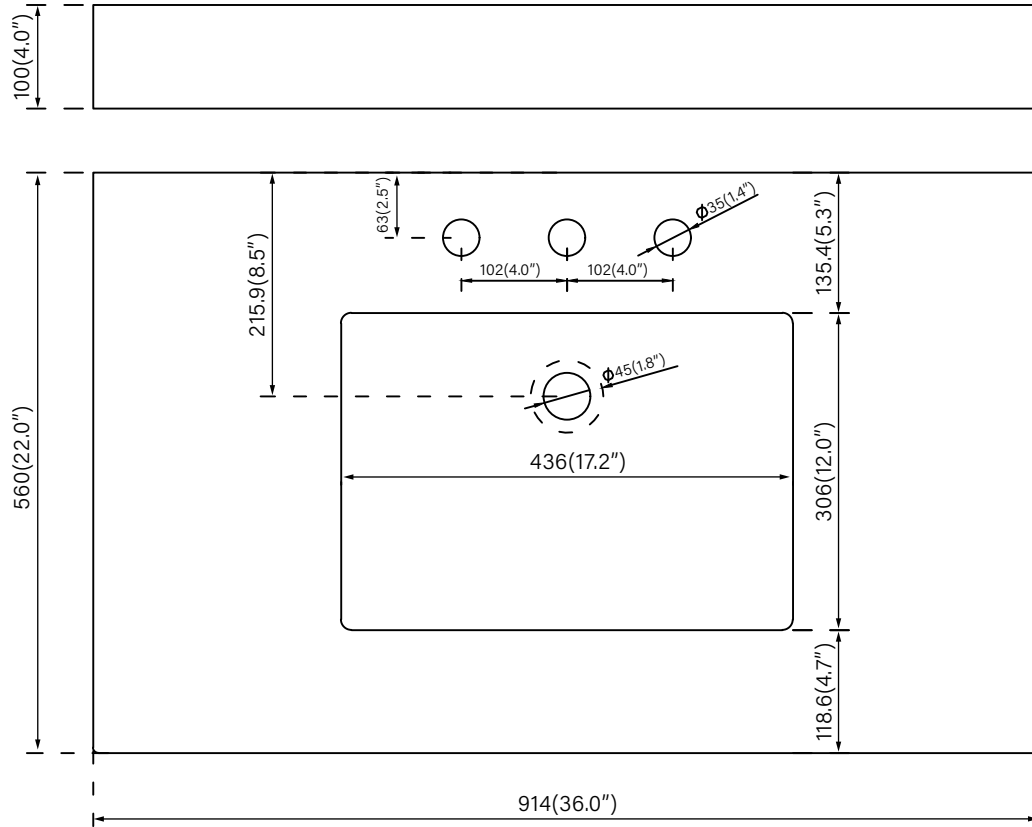


# ARTWOOD 36''

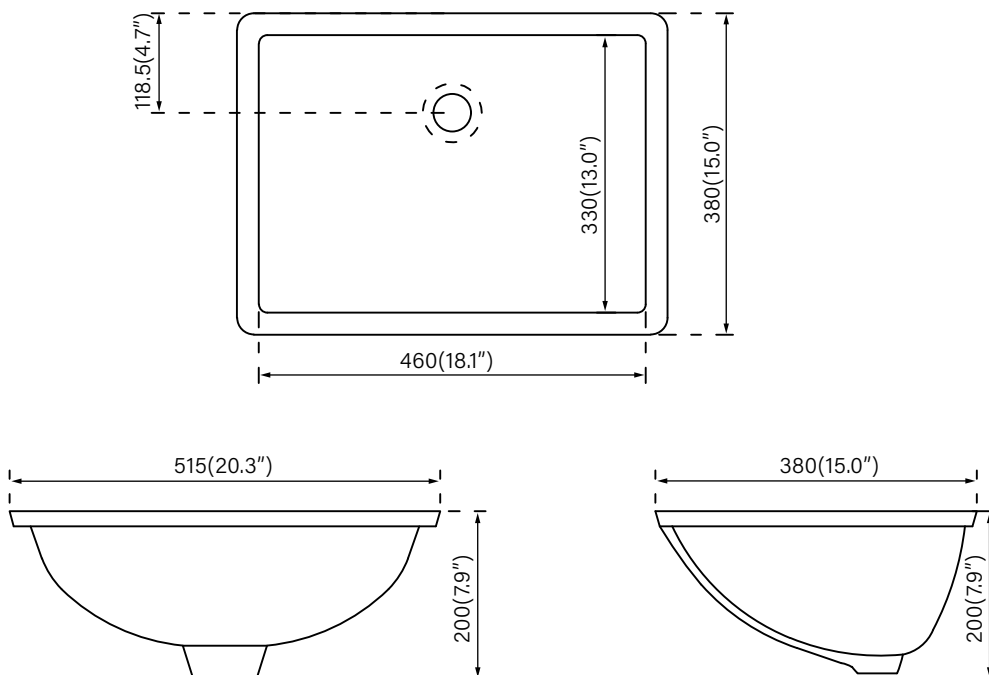
## VANITY TOP

With rectangular undermount sink

VanityTop

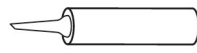


Undermount Sink



# Vanity Installation

## SUGGESTED TOOLS AND MATERIALS:



Sealant



Tape Measure

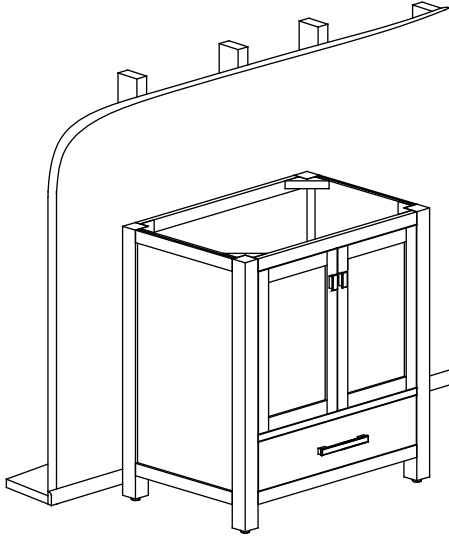


Safety Glasses

## INSTALLATION INSTRUCTIONS

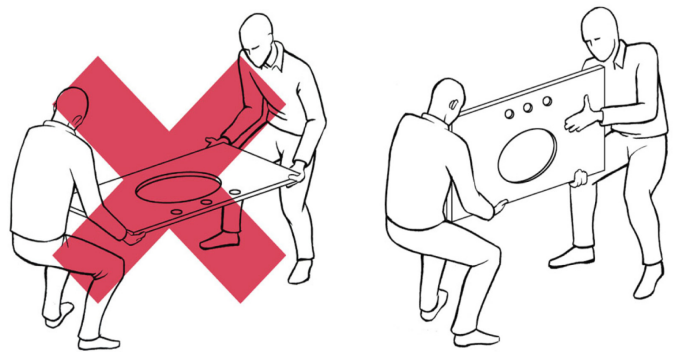
We recommend consulting a professional if you are unfamiliar with installing bathroom fixtures and plumbing. We accept no liability for any damage to the floor, plumbing, vanity cabinet, sink, counter top, or personal injury during installation.

**1**



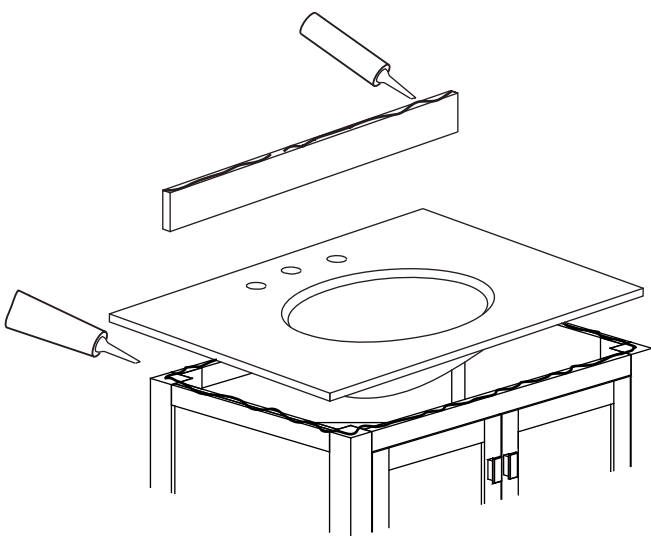
Remove vanity from box and examine vanity for any defects or damage. Carefully place vanity against wall.

**2**



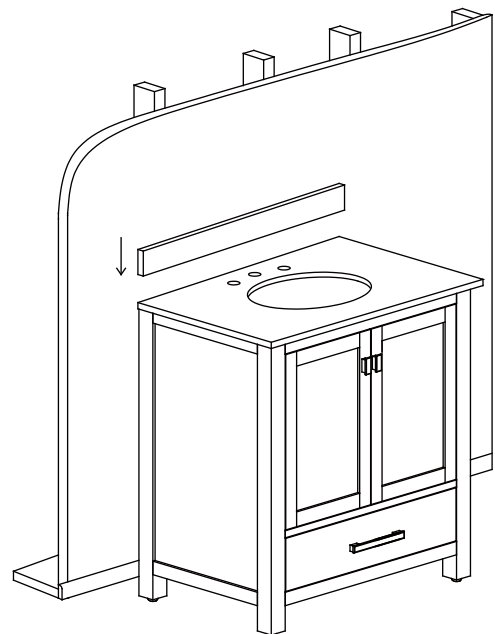
Always use a two man crew, a single person crew is much more likely to break or chip the stone top.

**3**



Apply bead of quality sealant evenly along the bottom of back splash and the top of the vanity.

**4**



Finally, place the bottom side of back splash with sealant onto the counter top and check alignment of back splash.