

ARTWOOD 72"

BATHROOM VANITY SET

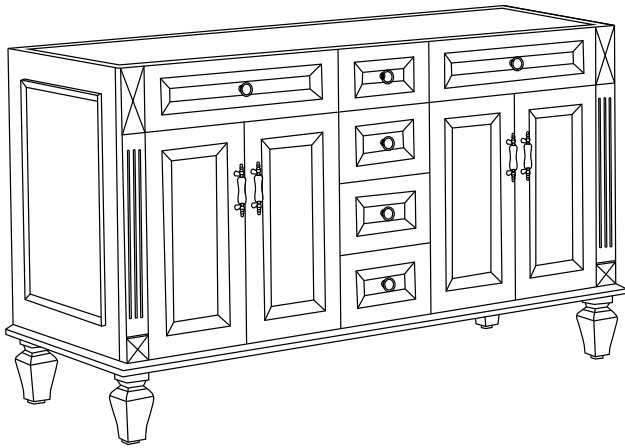
SKU: ARTWOOD72QZ-WT

ARTWOOD72QZ-NB

ARTWOOD72QZ-TG

Colors/Finishes: White, Navy Blue, Titanium Grey

Nominal Dimension:72W*22D*35H inches

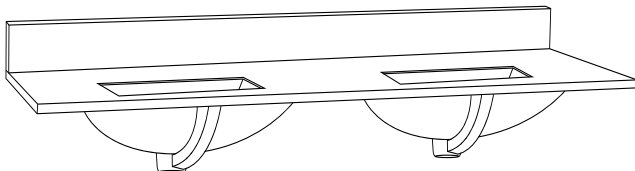


Contents

72"Vanity.....PAGE2

72"Vanity Top.....PAGE3

Vanity Installation.....PAGE4



VANITY FEATURES:

- 1.Material: Solid poplar wood frame, high-quality veneer plywood.
- 2.Doors: 4 soft-close doors, Austria BLUM Soft-close hinges system.
- 3.Drawers: 4 soft-close drawers, DTC concealed soft-close sliders.
- 4.Hardware: Metal alloy with decorative porcelain
- 5.Installation Type: Freestanding
- 6.Built-in Adjusters: Adjustable height levelers
- 7.Vanity Top: High-quality quartz/marble with single undermount sink
- 8.Assemble required: No
- 9.Vanity top Included: Yes
- 10.Mirror Included: Optional
- 11.Medicine Cabinet Included: Optional

VANITY TOP FEATURES:

- 1.Material: Highly resilient, nonporous, scratch-and stain-resistant quartz,or natural Italian Carrera white marble.
- 2.Top Color: Carrera white
- 3.Sink: 2*20"undermount rectangle sink
- 4.Faucet Holes: Top pre-drilled for 8"widspread faucet holes
- 5.Sink Certified: CUPC certified
- 6.Backsplash: 4"backsplash included
- 7.Faucet Included: No
- 8.Nominal Dimension(W*D*H): 72W*22D*0.79H inches

ARTWOOD 72"

BATHROOM VANITY SET

SKU: ARTWOOD72QZ-WT

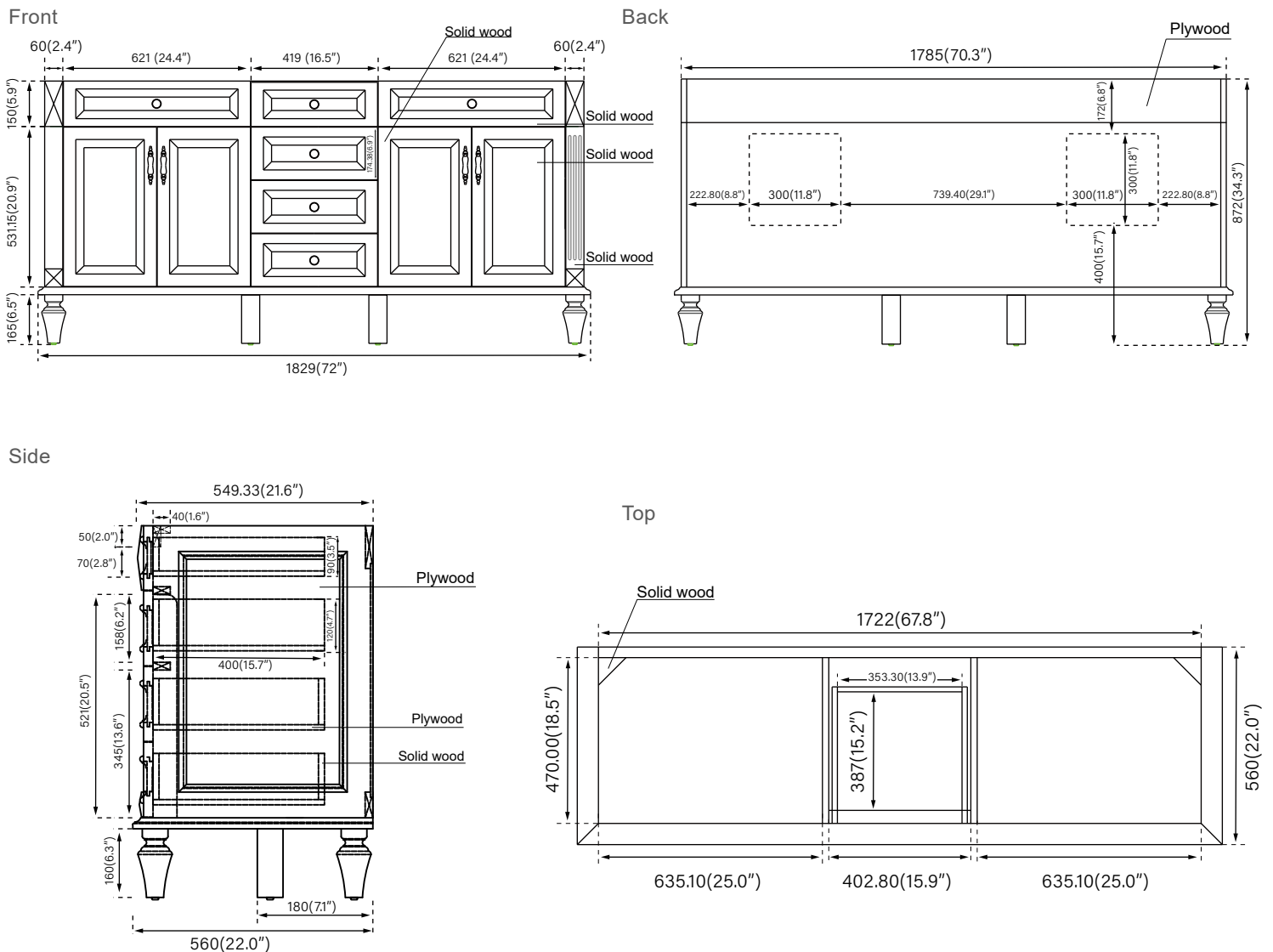
ARTWOOD72QZ-NB

ARTWOOD72QZ-TG

COMPONENTS:

Vanity	ARTWOOD72QZ-WT	ARTWOOD72QZ-NB	ARTWOOD72QZ-TG
Vanity Top	QZ72CW20	QZ72CW20	QZ72CW20
	MB72CW20	MB72CW20	MB72CW20
Wall Mirror	MR32YS1WT(1 Pair)	MR32YS1NB(1 Pair)	MR32YS1TG(1 Pair)
Medicine Cabinet	MED34YS1WT	MED34YS1NB	MED34YS1TG
	MED24YS1WT	MED24YS1NB	MED24YS1TG

PRODUCT DIAGRAMS:

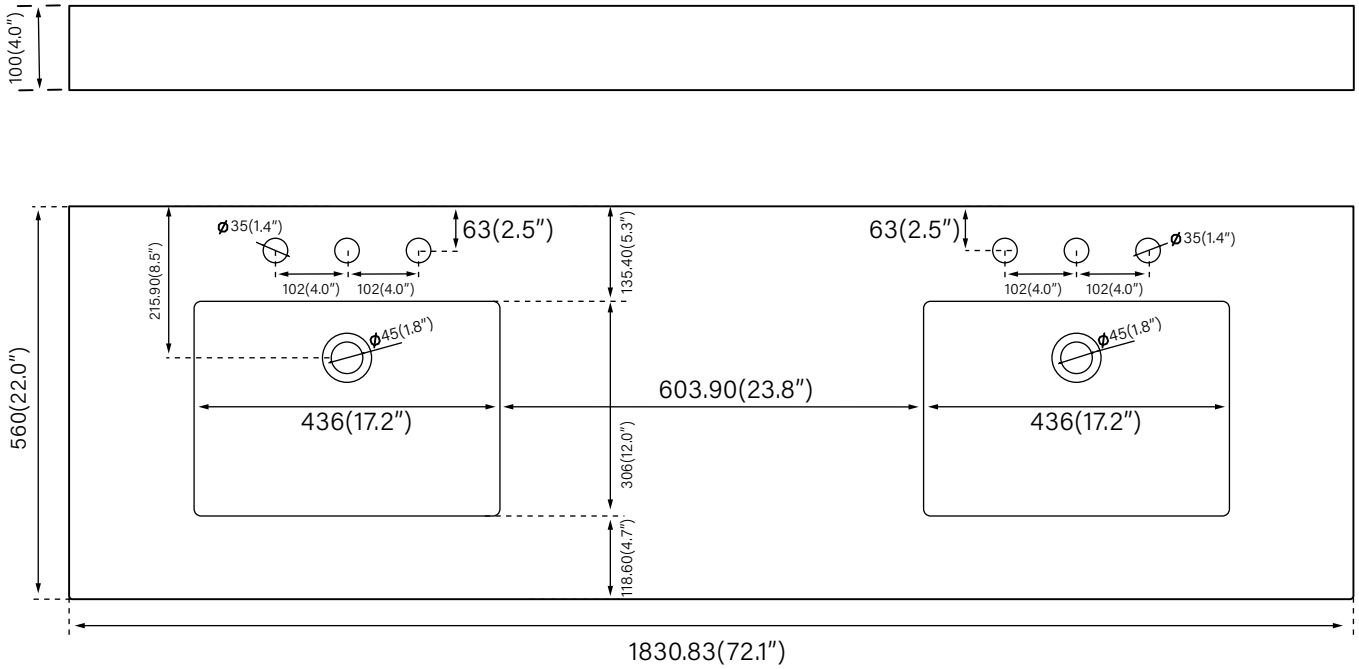


ARTWOOD 72"

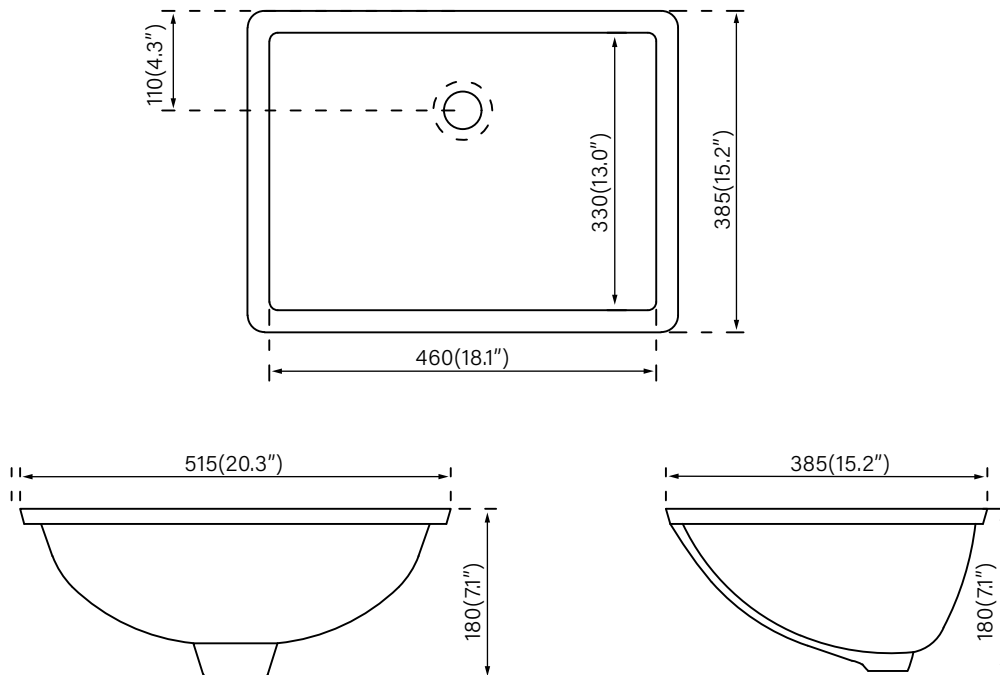
VANITY TOP

With rectangular undermount sink

VanityTop



Undermount Sink



Vanity Installation

SUGGESTED TOOLS AND MATERIALS:



Sealant



Tape Measure

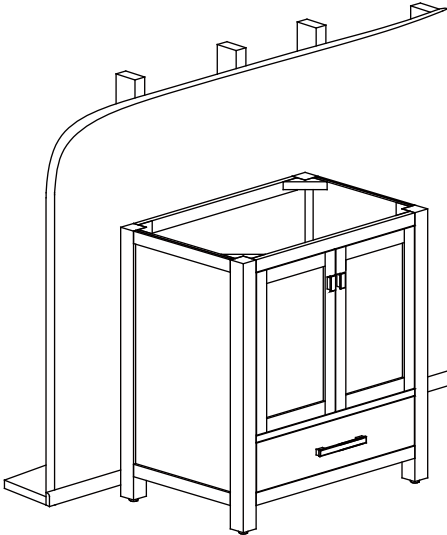


Safety Glasses

INSTALLATION INSTRUCTLONS

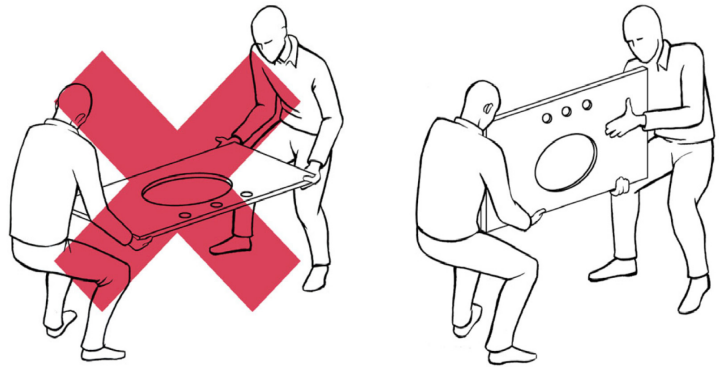
We recommend consulting a professional if you are unfamiliar with installing bathroom fixtures and plumbing .WELLFOR accepts no liability for any damage to the floor,plumbing, vanity cabinet,sink, counter top,or personal injury during installation.

1



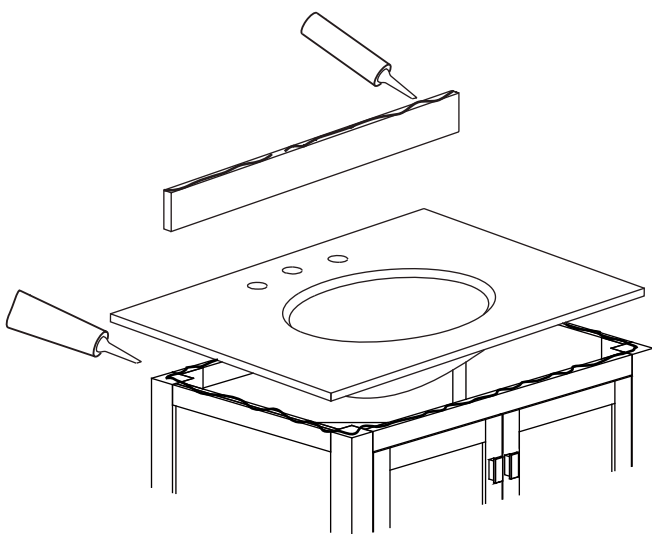
Remove vanity from box and examine vanity for any defects or damage.Carefully place vanity against wall.

2



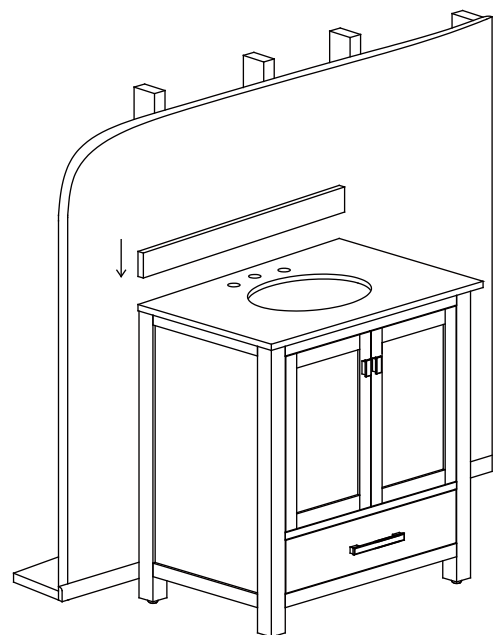
Always use a two man crew,a single person crew is much more likely to break or chip the stone top.

3



Apply bead of quality sealant evenly along the bottom of backsplash and the top of the vanity.

4



Finally,place the bottom side of back splash with sealant onto the counter top and check alignment of back splash.