

# FLORA 40"

## BATHROOM VANITY SET

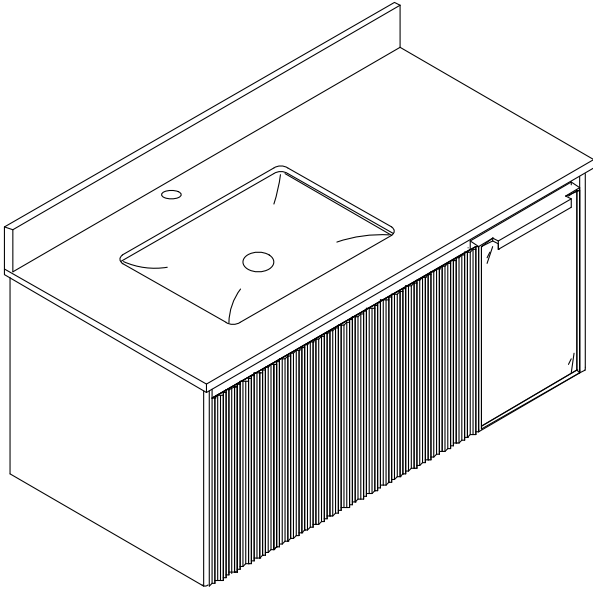
SKU: FLORA40QZ-WT

FLORA40QZ-GY

FLORA40QZ-LV

Colors/Finishes: White,Grey,Lavender

Nominal Dimension:40"W\*22D\*20H inches



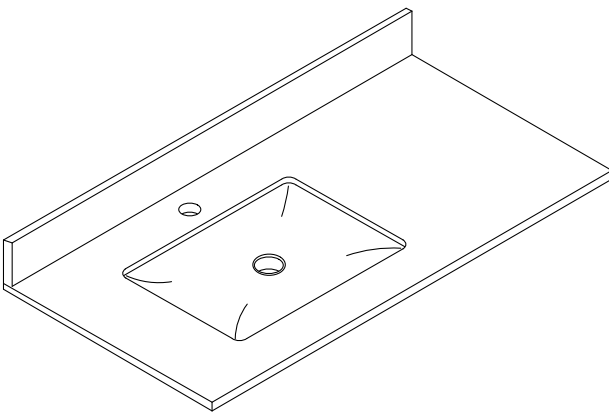
### VANITY FEATURES:

- 1.Material: Solid poplar wood frame, high-quality veneer plywood.
- 2.Doors: 1 soft-close door, DTC soft-close hinges systems
- 3.Drawers: 1 soft-close drawers, DTC concealed soft-close sliders.
- 4.Hardware: Anodized aluminum frame door with fluted glass.
- 5.Installation Type: Floating wall hanging
- 6.Vanity Top: High-quality quartz/marble with single undermount sink
- 7.Assemble required: No
- 8.Vanity top Included: Yes
- 9.Mirror Included: Optional
- 10.Medicine Cabinet Included: Optional

### Contents

40"Vanity Set.....PAGE2

Vanity Installation.....PAGE3



### VANITY TOP FEATURES:

- 1.Material: Highly resilient, nonporous, scratch-and stain-resistant quartz,or natural Italian Carrera white marble.
- 2.Top Color: Carrera white
- 3.Sink: 1\*20"undermount rectangle sink
- 4.Faucet Holes: Top pre-drilled for single faucet hole.
- 5.Sink Certified: CUPC certified
- 6.Backsplash: 4"backsplash included
- 7.Faucet Included: No
- 8.Nominal Dimension(W\*D\*H): 40W\*22D\*0.7H inches

# FLORA 40"

## BATHROOM VANITY SET

SKU: FLORA40QZ-WT

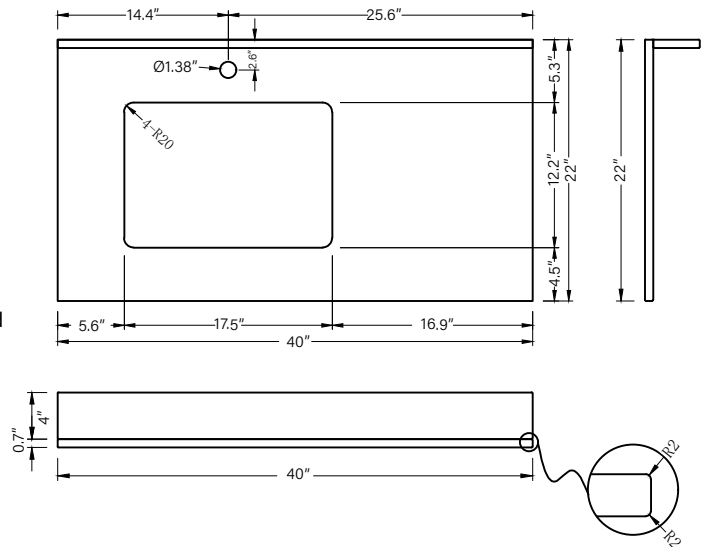
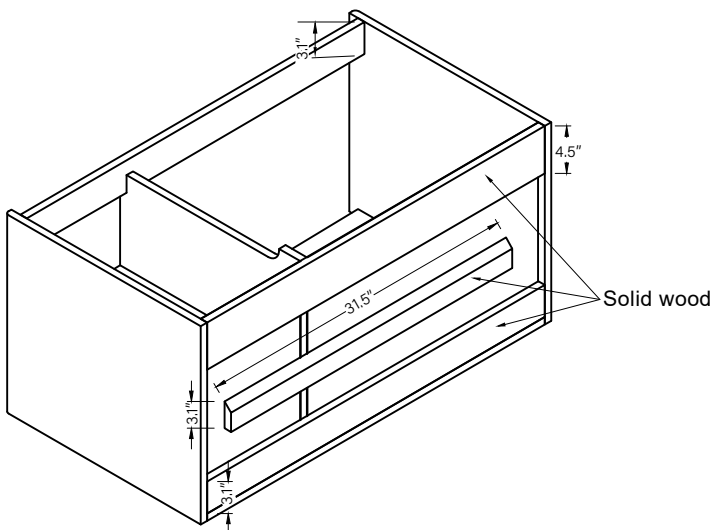
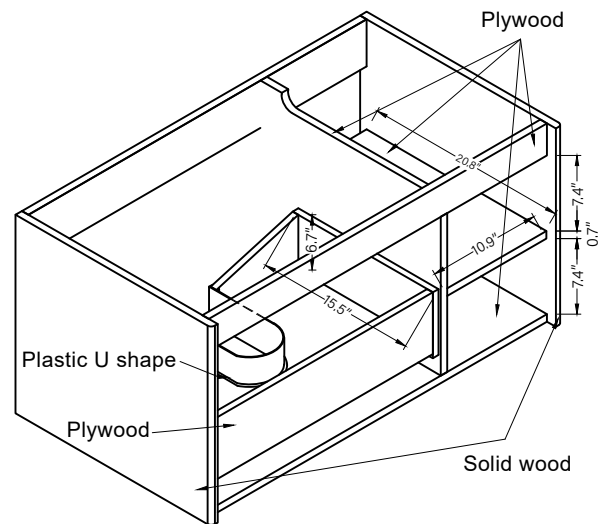
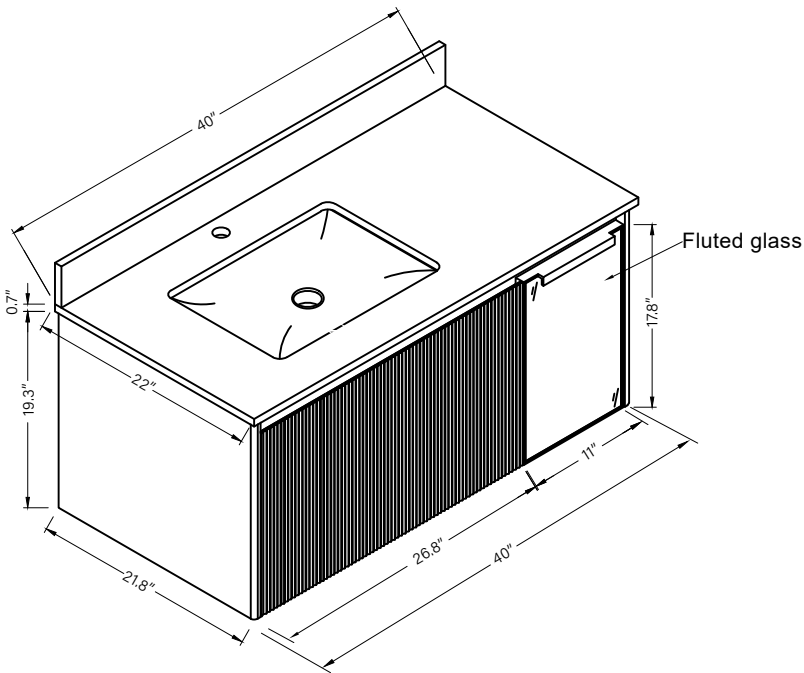
FLORA40QZ-GY

FLORA40QZ-LV

### COMPONENTS:

Vanity	FLORA40QZ-WT	FLORA40QZ-GY	FLORA40QZ-LV
Vanity Top	QZ40CW20SH	QZ40CW20SH	QZ40CW20SH
Medicine Cabinet	FL36MCL-WT	FL36MCL-GY	FL36MCL-LV

### PRODUCT DIAGRAMS:



# Vanity Installation

## INSTALLATION INSTRUCTLONS

We recommend consulting a professional if you are unfamiliar with installing bathroom fixtures and plumbing .We accept no liability for any damage to the floor,plumbing, vanity cabinet,sink,counter top,or personal injury during installation.

## SAFETY INFORMATION



To ensure that your installation goes smoothly, please read these instructions thoroughly prior to starting.

**DANGER:** Failure to follow warnings and cautions could result in serious injury. Do not exceed the maximum load capacity. Do not stand on cabinet. Use cabinet on level ground.

**WARNING:** Base cabinet supports a maximum weight of 150 lbs. Exceeding maximum weight limit will compromise the integrity of the cabinet structure and could cause the cabinet to fail.

**CAUTION:** Do not sit, stand or hang from the cabinet.

## CARE AND CLEANING

**Vanity:** To clean surface of doors or cabinet, use non-abrasive cleaners and/or cleaning agents that do not contain solvents.

**Vanity Top:** Your vanity top will remain in its original state if you maintain and clean it properly. Clean the surface with a glass cleaner or other household cleansers that are non-abrasive. Using abrasive cleansers will damage the surface.

**Mirror:** Use non-abrasive cleansers only.

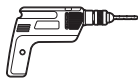
## PRE-INSTALLATION - TOOLS REQUIRED



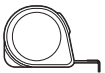
Safety glasses



Level



Drill



Measuring tape



Safety gloves



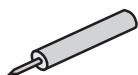
Rag



Wrench



Phillips screwdriver



Silicone

## NOTICE TO INSTALLER

INSTALLATION TO BE PERFORMED BY QUALIFIED PROFESSIONAL ONLY.

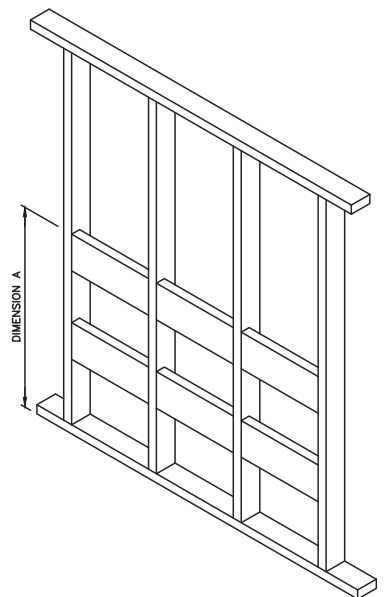
Wall hung vanity cabinets require important wall preparation and installation. Please thoroughly read this notice and all other installation instructions that might be included with the cabinetry.

Keep In Mind

- Cabinet(s) must be securely fastened with sufficient type, quantity and size of screws to wall studs and internal structural wall blocking.
- Avoid use of concrete or other heavy masonry countertops.
- Additional field installed pedestals, partitions, or legs can be installed beneath the cabinet for additional support as required.
- See below for examples and instructions for internal structural wall blocking necessary for proper installation

Internal Wall Blocking Installation

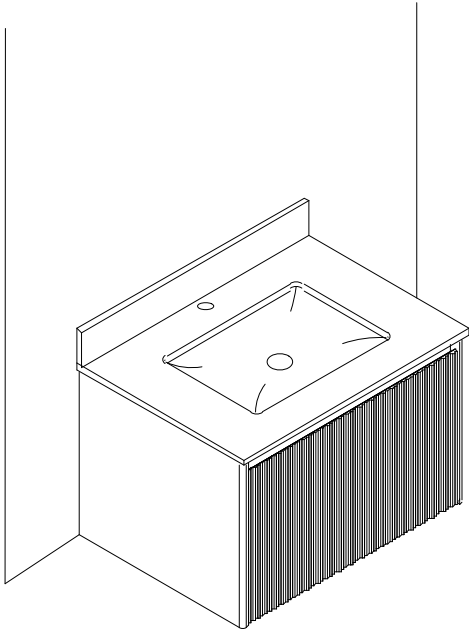
- A horizontal row of wood 2 x 6 structural wall blocks are required and must be installed between wall studs at a height to match where the top of the wall hung vanity cabinet(s) will be installed. Carefully remove drywall in required locations to gain access to wall studs. Use caution to not disturb any electrical or plumbing utilities found within the wall.
- Use wood screws installed at an angle to securely fasten the structural wall blocks to the wall studs.



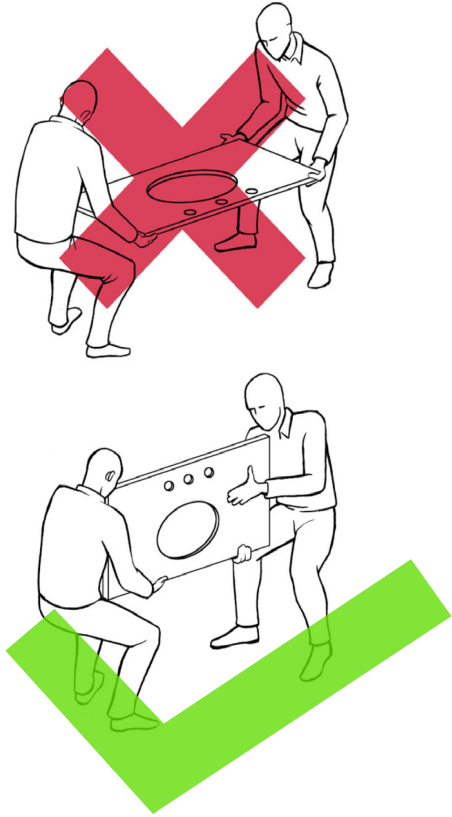
When installing this product, the screws should reach the wood studs behind the plasterboard wall. It is not recommended to install on a plasterboard wall if the screws and anchors are not secured in the wood studs.

# Vanity Installation

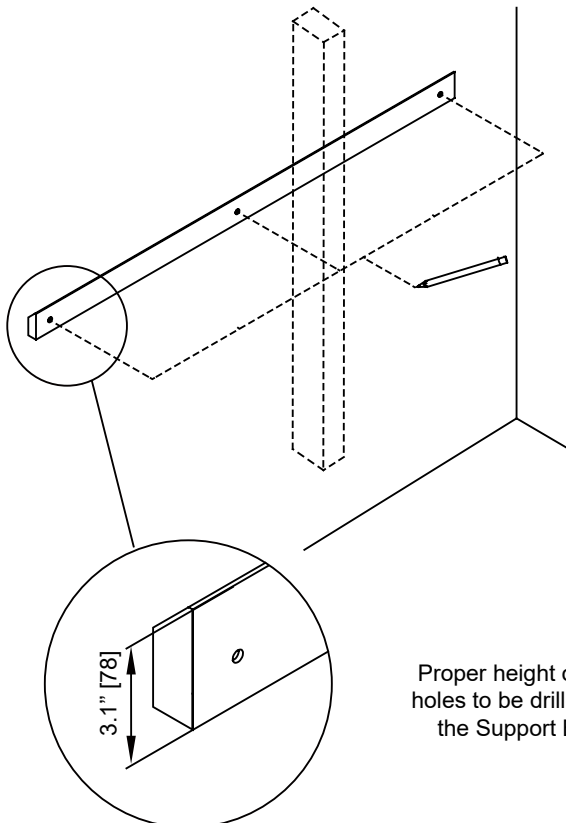
1. Remove vanity from box and examine vanity for any defects or damage. Carefully place vanity against wall.



2. Remove the vanity top from vanity by two man crew.

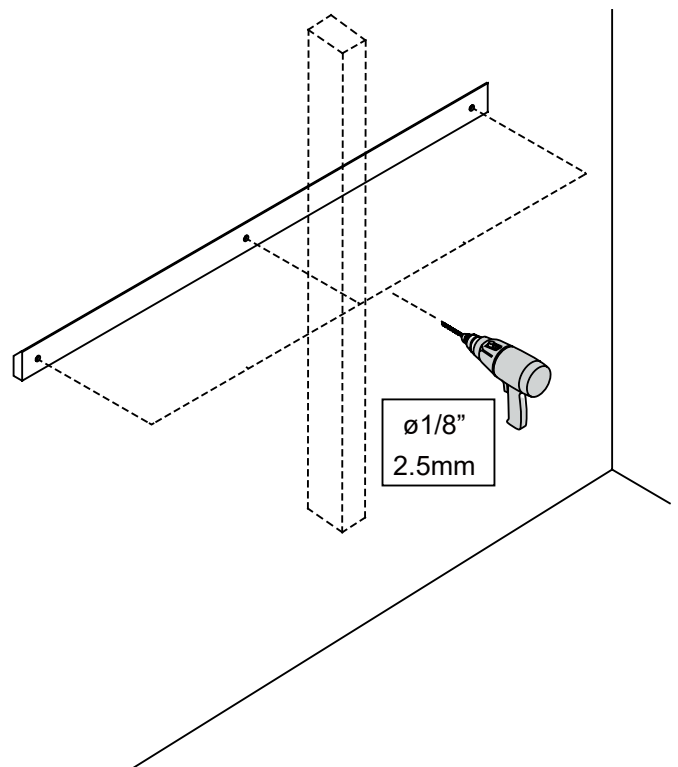


3. Level and mark the vanity support bar, drill holes must be right over the wall stud.



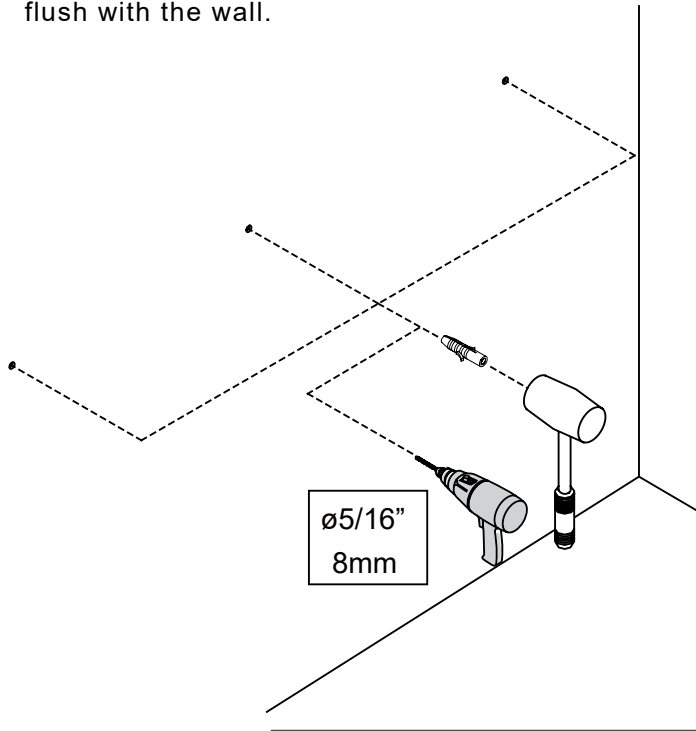
Proper height of the holes to be drilled on the Support Bar.

4. Keep the support bar in the position, the drill pilot holes on the wall through the support bar at the marked positions using  $\varnothing 1/8"$  (2.5mm) drill bit.

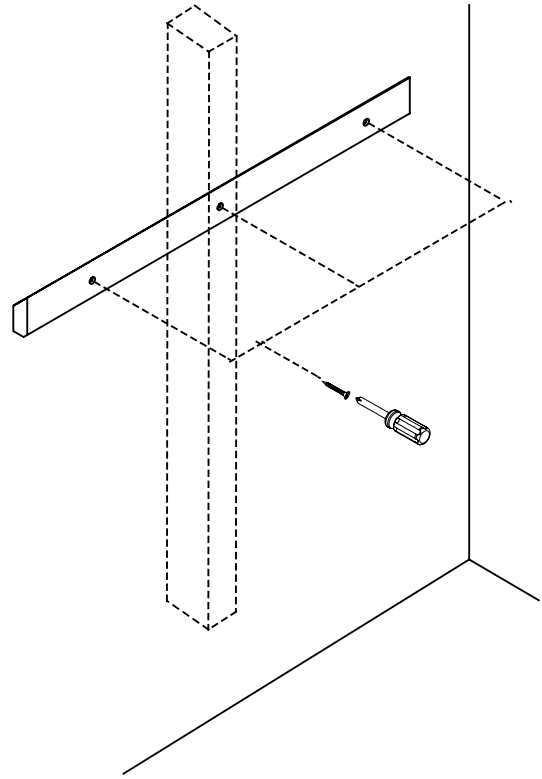


# Vanity Installation

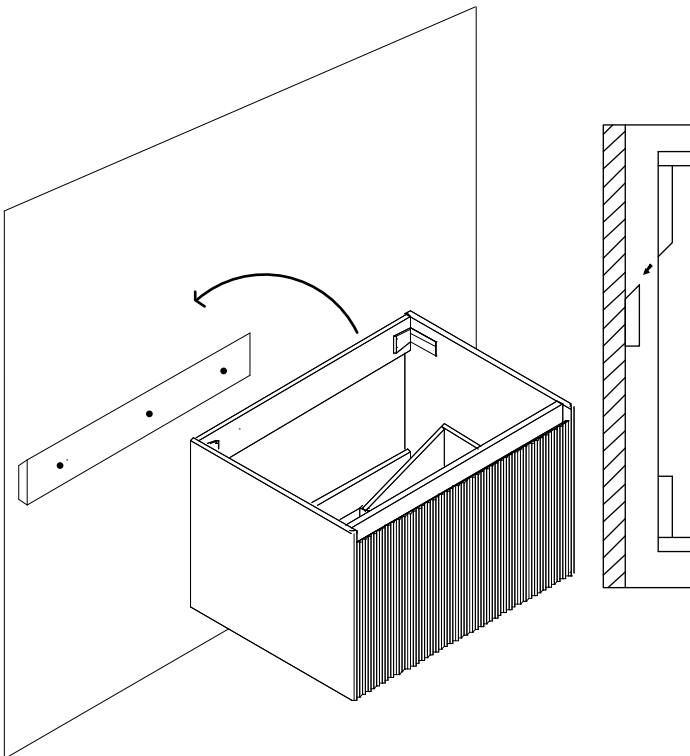
5. Except for the holes that are over the stud, drill in the existing holes on the wall using  $\phi 5/16"$  (8mm) drill bit and insert the wall anchors into the holes using a rubber mallet until the wall anchors are flush with the wall.



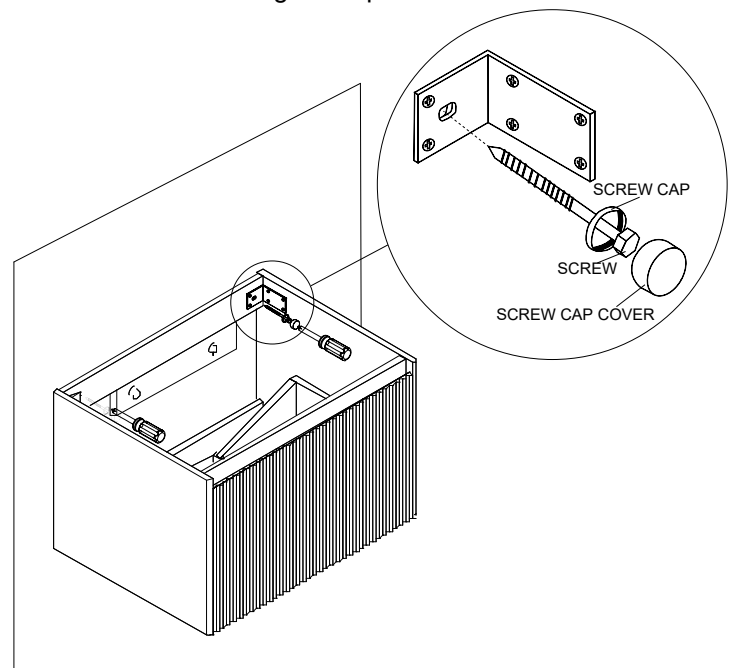
6. Replace and secure the support bar with screws.



7. Gently hang the vanity on the support bar. Make sure vanity matching the support bar



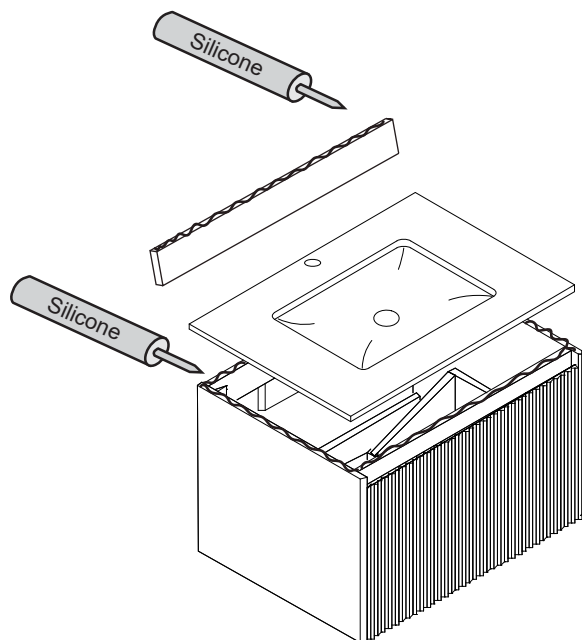
8. Measure and mark two holes from the back of the vanity, drill pilot holes on the wall through the back of the vanity using 10mm drill bit. Secure the vanity with screws through the pilot holes.



# Vanity Installation

---

8. Apply bead of quality sealant evenly along the bottom of backsplash and the top of vanity.



9. Finally, place the vanity top and backsplash back on the vanity and check the alignment of the vanity top.

