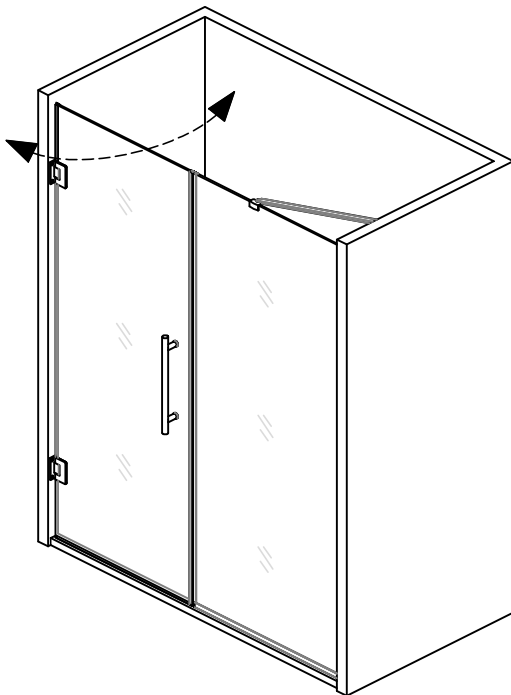
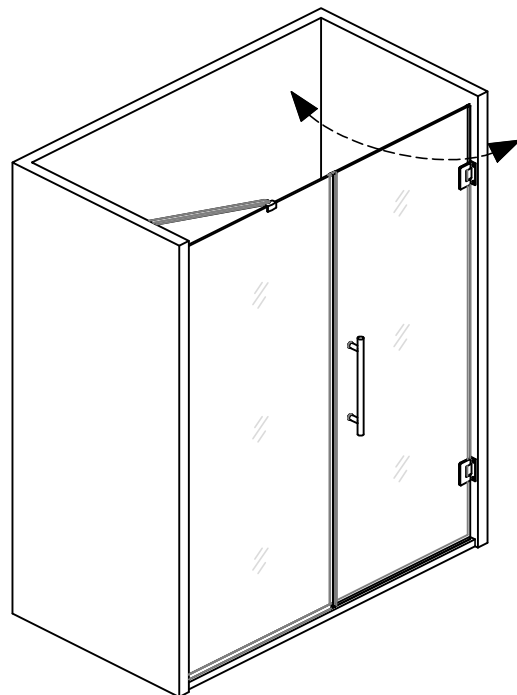


Shower Door Installation Instructions



Hinged Left installation shown



Hinged Right installation shown



NOTE: This model is reversible for Hinged Left or Right installation. This manual will show the Hinged Left installation as an example throughout.

**Please do not return the product to the store.
Contact us with any questions.**

Model Specific Preparation

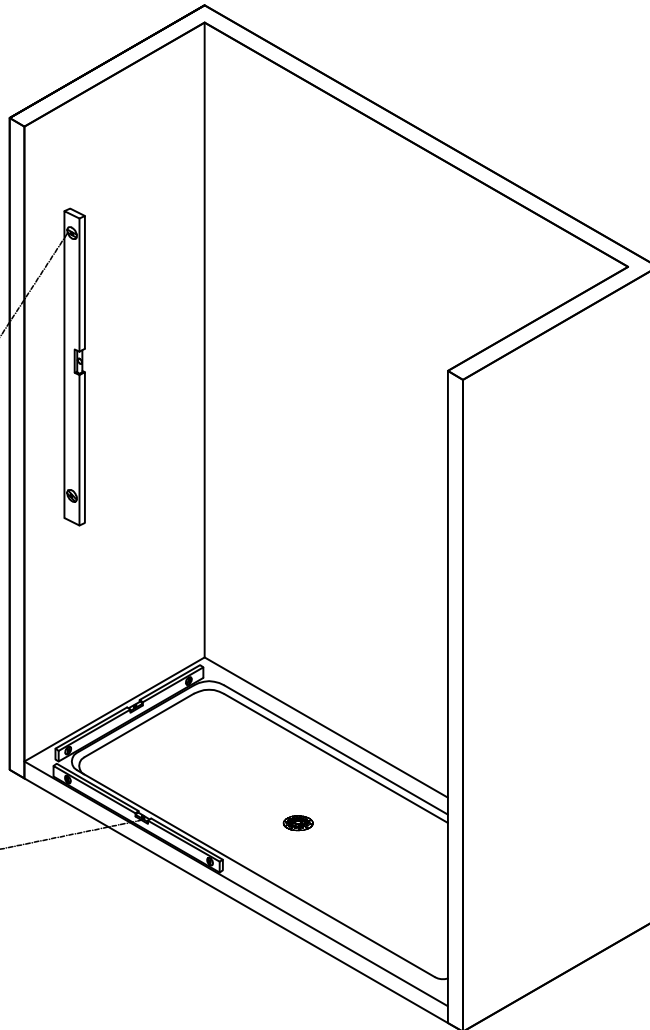
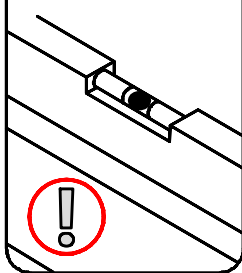


REQUIRED:

Verify threshold and wall with a level.

3/16" (5mm)
Out-of-Plumb
Adjustment within
the Wall Profile.

Threshold must be level

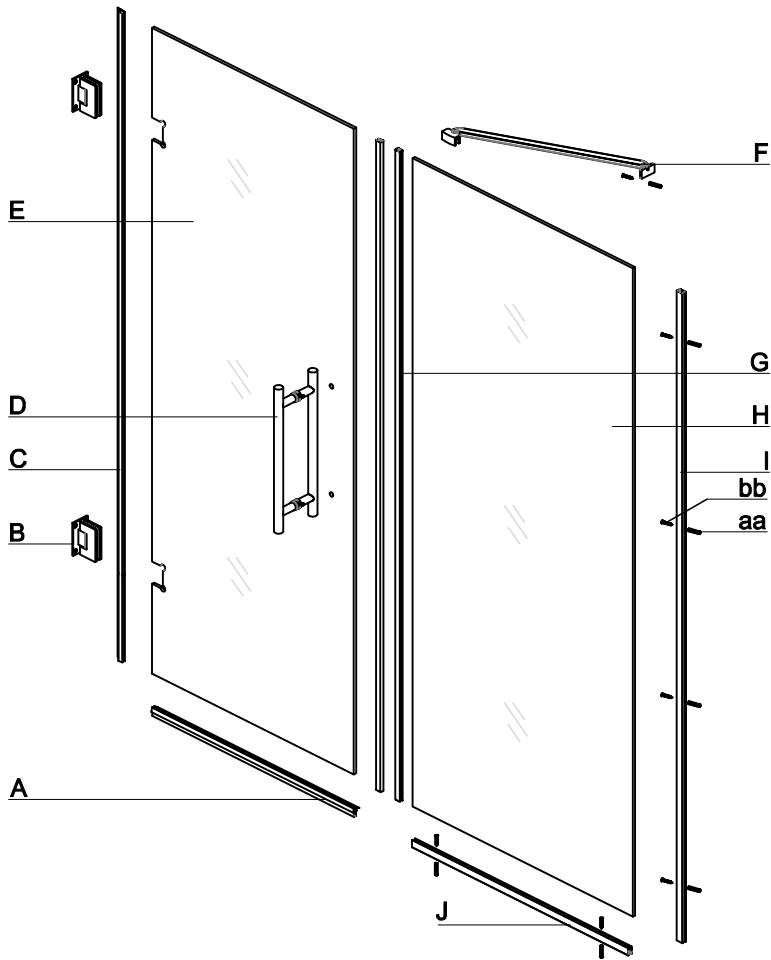


1. Prior to the installation, please ensure that the installation surface is level and solid and will be able to support the total weight of the unit. Also make sure that the walls are plumb. Depending on the type of unit you are installing, some adjustments in leveling may be possible. However, irregular installation, surface level or out of square conditions can result in serious problems for your installation. Please note that some adjustments and drilling may be necessary. Please protect all primary surfaces of the product during installation. Never set your glass down directly onto a tile floor. Always use a piece of wood or cardboard to protect the bottom edge and corners of the glass.

2. Note: The installation of this unit requires that you drill down into the threshold.

SHOWER DOOR

PACKAGE CONTENT



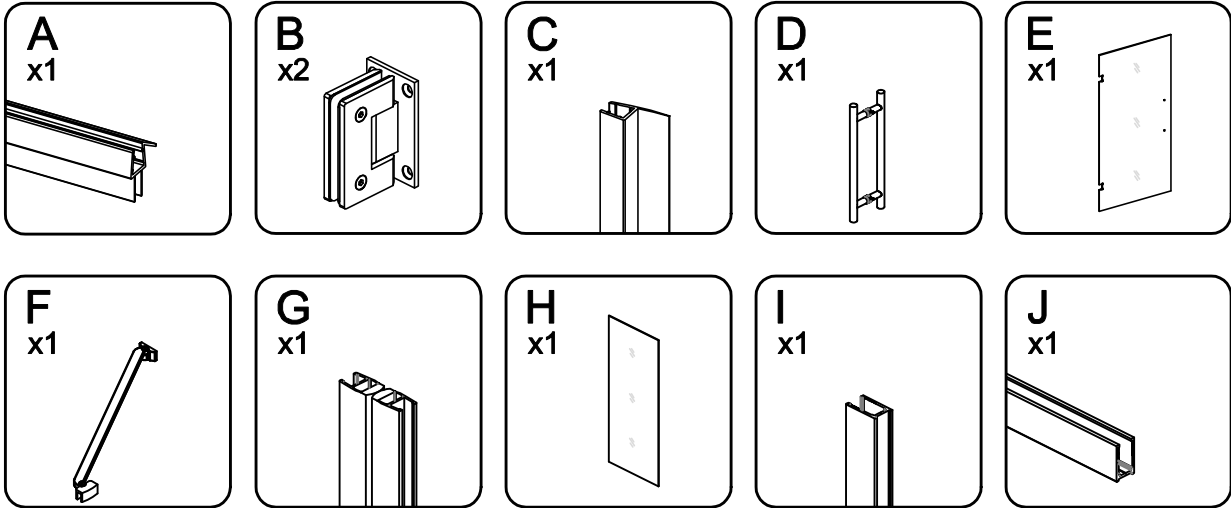
PACKAGE CONTENT

PART#	DESCRIPTION	QTY	PART#	DESCRIPTION	QTY
A	Bottom Anti-Water Strip	1	F	Top Bar	1
B	Hinge	2	G	Magnetic Strip	1
C	Anti-Water Strip	1	H	Stationary Glass	1
D	Handle	1	I	Wall Profile	1
E	Glass Door	1	J	Bottom Profile	1

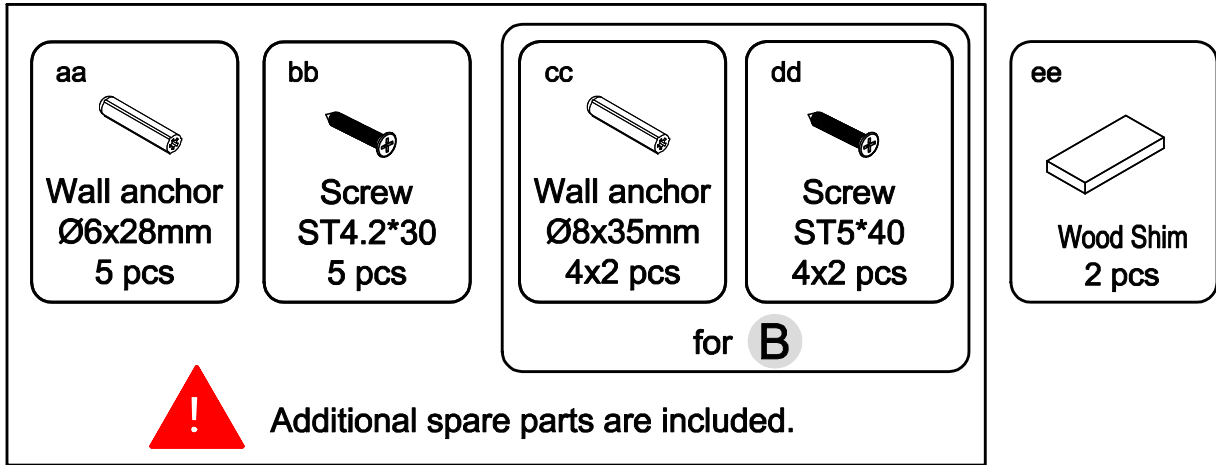
NOTE Inspect all parts for missing prior to installation!
Contact us for any part missing.

SHOWER DOOR

PACKAGE CONTENT




HARDWARE CONTENT



NOTE Inspect all parts for missing prior to installation!
Contact us for any part missing.


TOOLS REQUIRED

Drill Bits




Ø1/8" & Ø1/4" (3 & 6mm) dia.
HSS

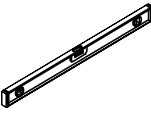
Screw Driver



Drill



Level



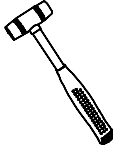
Silicone



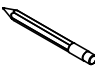
Measuring Tape



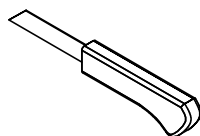
Soft Head Hammer



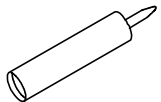
Pencil



Knife



Sealant




MASONRY DRILL BIT FOR TILE
Ø6mm



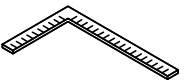
Safety Glasses



Glove



Carpenter's Squarer



Masking or painter's tape



SAFETY INFORMATION

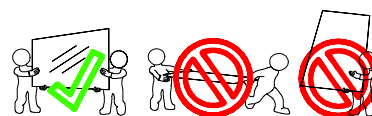
CAUTION

Please carefully read the following important safety information before handling or installing this shower. There is a risk of serious injury while handling this product.

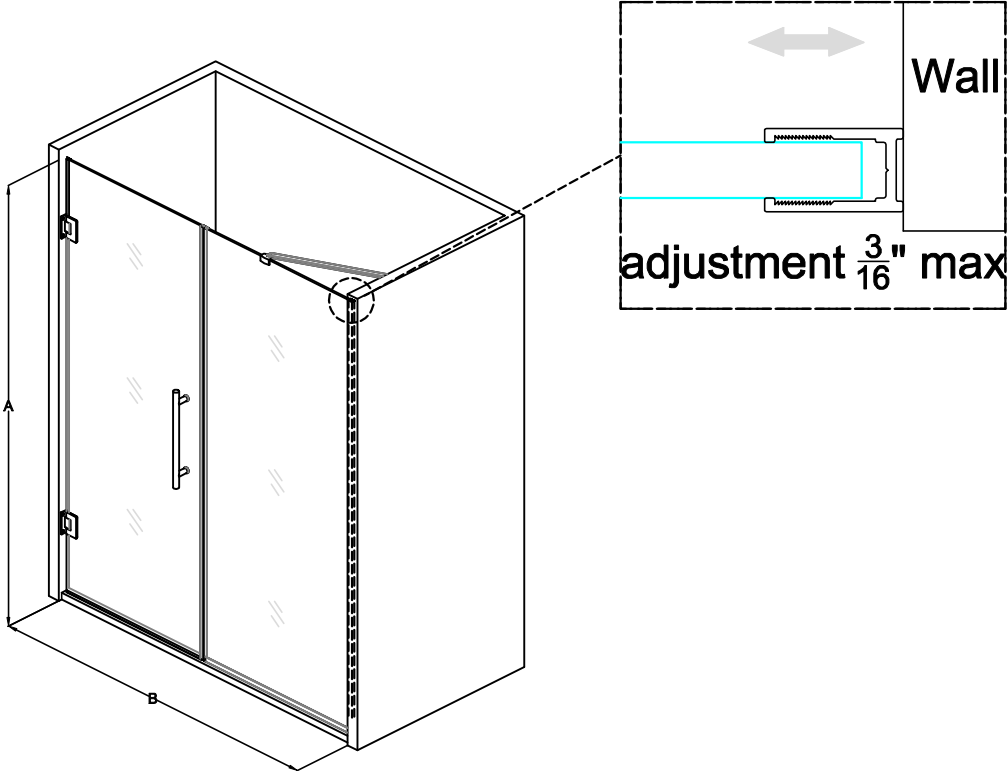
To minimize these risks, please note:

- Always wear safety glasses and gloves while handling.
- Always follow the installation instructions.
- Inspect glass for damage before installation.
- Extreme caution should be taken while handling the glass during installation as the tempered glass may shatter if in contact with a hard surface.
- Do not cut or modify the tempered glass as it will shatter if cut.
- Carefully remove product from packaging and keep packaging until installation is complete.
- Inspect all parts for damage or missing; if there is damage or part missing to the unit prior to installation, please contact customer service at the number provided in this guide.
- Cover the drain with tape to prevent the loss of small parts.
- The shower base and finished walls should be installed before beginning the shower door installation.
- During the installation, protect the shower floor with a drop cloth to avoid damage.
- This product should be installed by two people who are familiar with construction requirements. Professional installation is recommended!
- Keep this installation manual for future reference.

NOTE: Two people should perform this installation.



Model Dimensions



configuration dimensions:

A Product Height	B Model width	Installation width
71"	58"	58" ~58 3/16"

1 Hinge(B) Installation

NOTE Attach the Hinges (B) to the Glass Door (E) using two vinyl hinge gasket per side. (Fig 1)

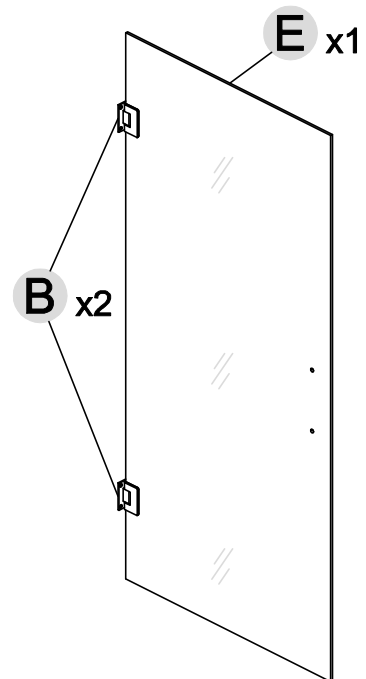
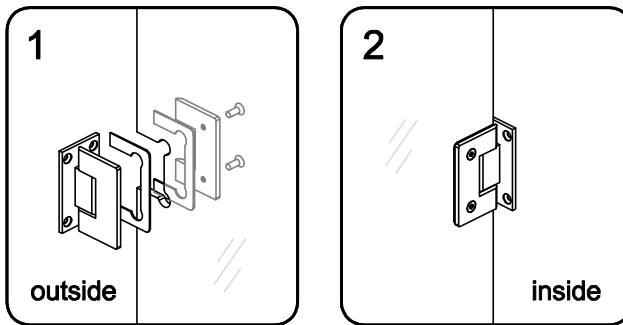


Fig 1

ATTENTION: Never set your glass down directly onto a tile or concrete floor. Always use a piece of wood or cardboard and leave the corner pads and protective shims on the glass until it becomes necessary to remove them to protect the bottom edge and corners from damage which could lead to breakage.

2 Glass Door(E) Assembly Installation

NOTE

1. Set the Glass Door (E) Assembly onto the threshold at the desired location with Wood Shims(ee) and check for level. Carefully butt the door with the hinge side against the wall, adjust its position and check for plumb with a level.
2. Measure the total width of the finished opening bottom "W" and record it.

ATTENTION: Check the Glass Door(E) with a level to verify that it is plumb before marking the hinge positions.



Finished opening bottom W

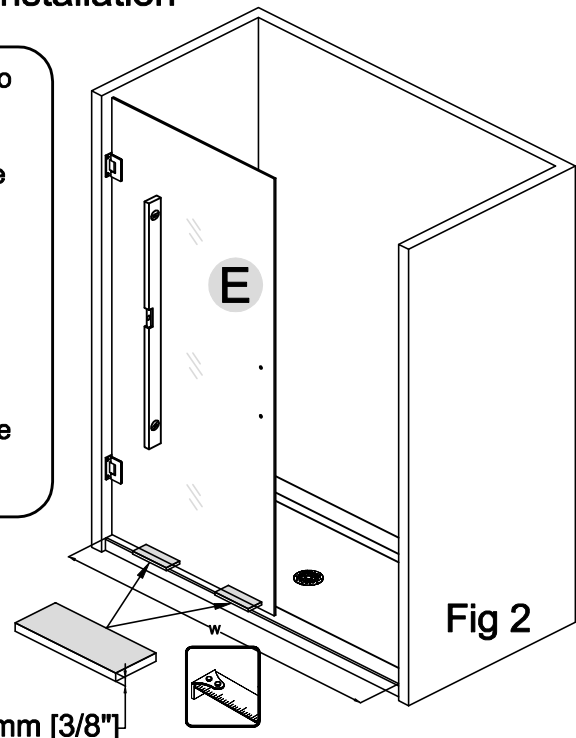
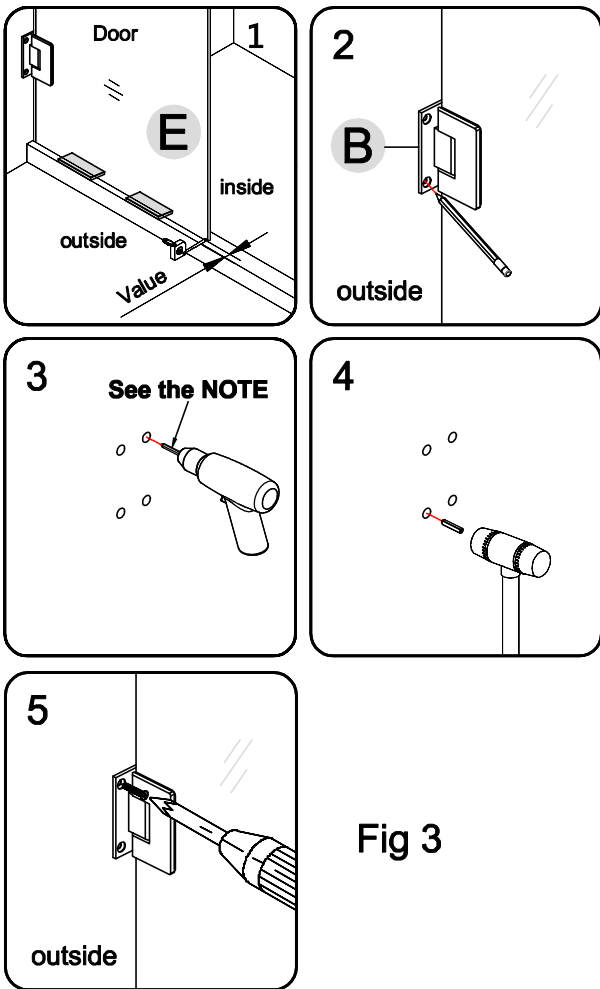


Fig 2

2 Glass Door(E) Assembly Installation

1. Align the **Glass Door(E)** so that it is vertical to the wall and parallel to the threshold. Measure the bottom clearance of the door and threshold on the outside of shower and determine an equidistance. (Fig 3.1)
2. Hold the door in place and mark the drill holes for both **Hinges (B)** on the wall. (Fig 3.2)
3. Set the door aside and drill the holes.(Fig 3.3 and Fig 3.4)
4. Place the **Glass Door (E)** back onto the threshold with the 3/8" wood and attach both hinges to the wall using the **Screws ST5×40 (dd)**. (Fig 3.5)



NOTE

- If a Stud is presented behind the wall: drill Ø1/8"(3mm) pilot holes into the stud and use the ST5.0 x 40mm Screws (dd)
- OR
- If No Stud is presented behind the wall: drill Ø5/16"(8mm) holes and insert the Wall Anchors (cc) and use the ST5.0 x 40mm Screws (dd).

Fig 3

3 Glass Door(E) Assembly Installation

1. Mark a line on the threshold base on the handle side See Fig. 4 for details.
2. Press the **Magnetic Strip (G)** on the vertical edge of the **Glass Door (E)**.

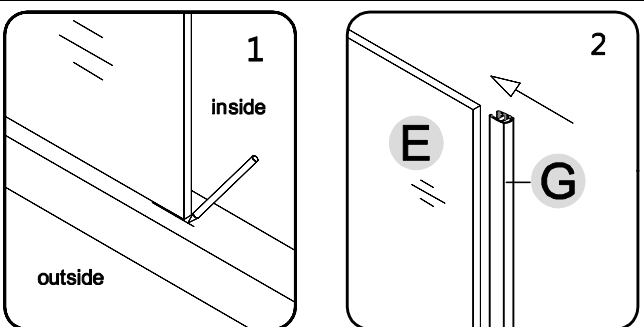


Fig 4

4 Wall Profile (I) & Bottom Profile (J) Installation

NOTE

Use a miter saw to cut the **Bottom Profile (J)** to the actual width of the W - 745mm [29 5/16"].
See Fig. 5 for details

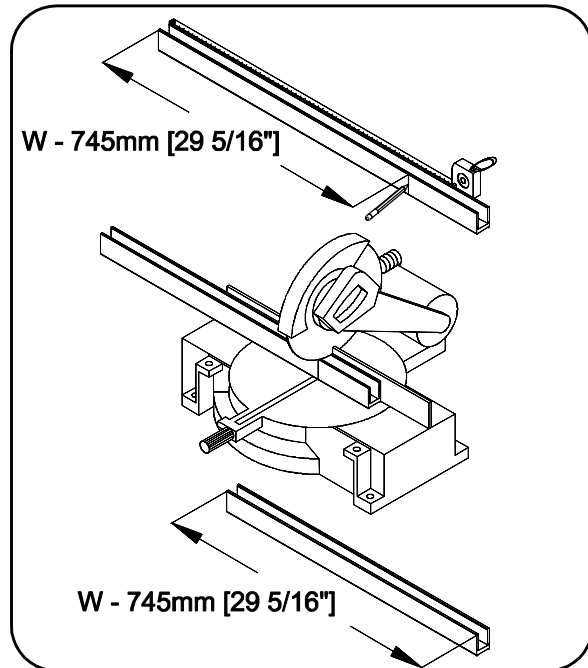


Fig 5

NOTE

NOTE: You must straightly cut the profile for this **Stationary Glass(H)** installation.

It may be necessary to remove any burrs from the cut end of the profile with a metal file before placing the profile onto the glass.

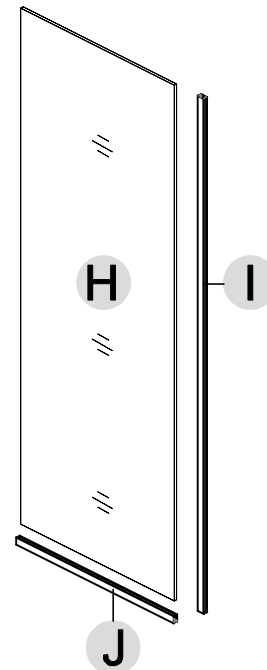


Fig 6

5 Stationary Glass(H) Installation

1. Install the **Bottom Profile(J)** and **Wall Profile (I)** onto the **Stationary Glass (H)** in the shown location. Place the door open of the **Stationary Glass(H)** on threshold opposite of **Glass Door(E)**. Adjust the **Stationary Glass(H)** and **Wall Profile(I)** against the wall to compensate for any out of plumb conditions ensuring that the **Stationary Glass(H)** is level vertically and **Wall Profile (I)** is flush with the wall.
See Fig. 7 for details

NOTE

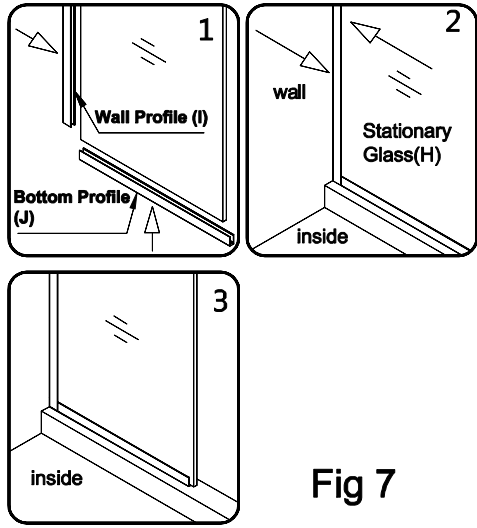


Fig 7

Install the **Magnetic Strip (G)** on the vertical edge of the **Stationary Glass (H)**. Align the **Stationary Glass(H)** with the threshold door mark and then close the door. Adjust the position of the **Stationary Glass(H)** so that the **Magnetic Strip(G)** makes tight contact to the **Glass Door(E)** from top to bottom.

NOTE: The top of the **Stationary Glass(H)** must be level with the **Glass Door(E)**.

Mark the position of the **Stationary Glass(H)** along the inside edge of both profile on the wall and threshold base.
Mark the **Wall Profile (I)** at the top horizontal glass edge.

See Fig. 8 for details

NOTE

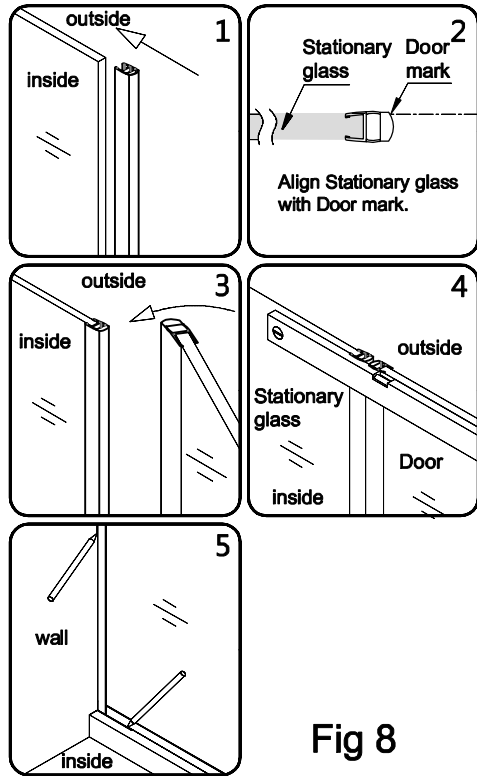


Fig 8

6 Wall Profile (I) Installation

1. Remove the **Wall Profile (I)**, **Bottom Profile (J)** and **Magnetic Strip (G)** from the **Stationary Glass (H)** and set the **Stationary Glass(H)** aside; Place the **Wall Profile(I)** align vertically with the mark on the wall.
 2. Mark the drill holes on the wall through the predrilled holes in the **Wall Profile (I)**.
 3. Drill holes in the wall using $\varnothing 1/4"$ drill bit and insert the $\varnothing 1/4"$ Wall Anchors (aa).
 4. Apply silicone along the bottom surface and around the holes of the **Wall Profile(I)** .
 5. Fasten the **Wall Profile(I)** to the wall with the Screw ST4.2x30 (bb).
- See Fig. 9 for details.

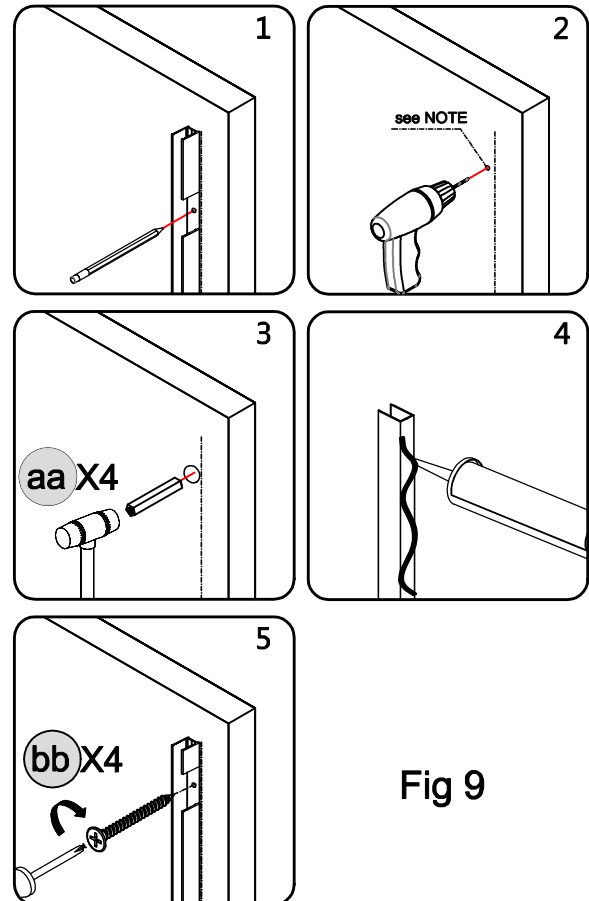
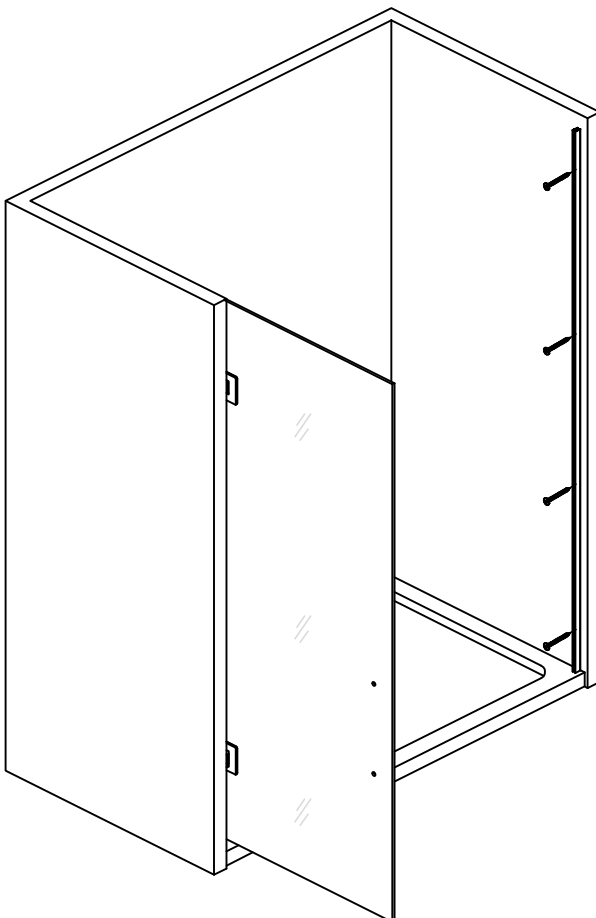


Fig 9



7 Bottom Profile(J) Installation

1. Align vertically with wall mark.
2. Mark the drill holes on the wall through the predrilled holes in the **Bottom Profile(J)**.
3. Now drill holes in the wall using $\text{Ø}1/4"$ drill bit and insert the $\text{Ø}1/4"$ Wall anchors (aa).
4. Apply silicone along the bottom surface and around the holes of the **Bottom Profile(J)**.
5. Fasten the **Bottom Profile(J)** to the wall with the **Screw ST4.2x30 (bb)**.

See Fig. 10 for details.

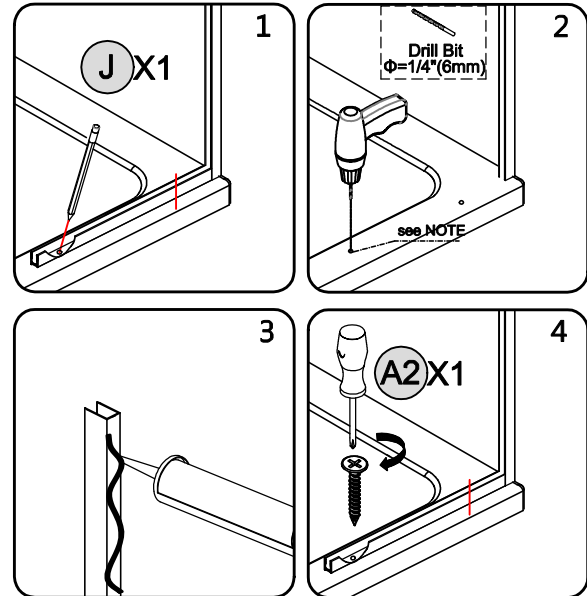
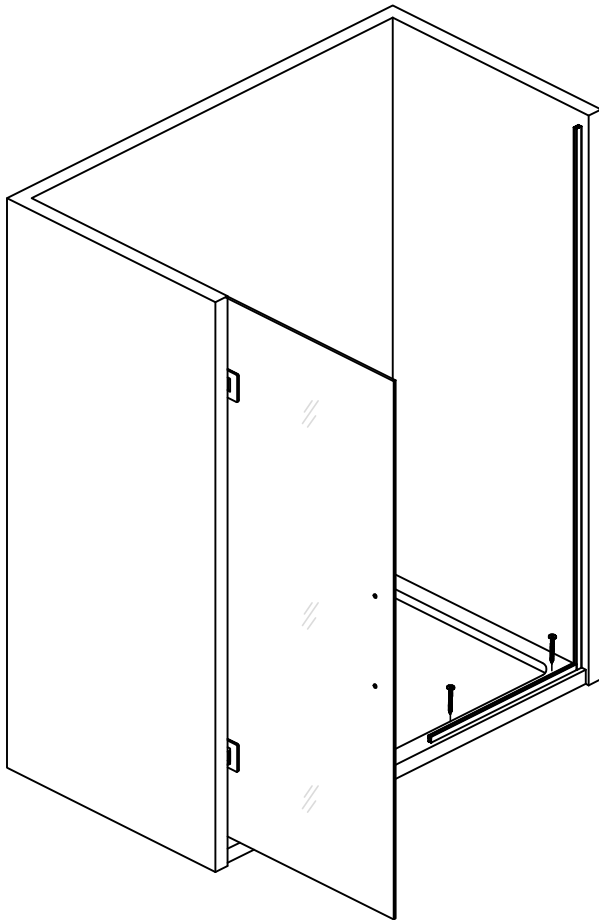


Fig 10



8

Stationary Glass(H) Installation

Insert the **Stationary Glass (H)** into the groove of both profile.

NOTE: If you have difficulty inserting the **Stationary Glass(H)** into the profile, you can slightly tap on the **Stationary Glass(H)** with a rubber mallet and a piece of wood.

If needed, adjust the position of the **Stationary Glass(H)** so that the **Magnetic Strip(G)** makes tight contact to the **Glass Door(E)** from top to bottom.

See Fig. 11 for details.

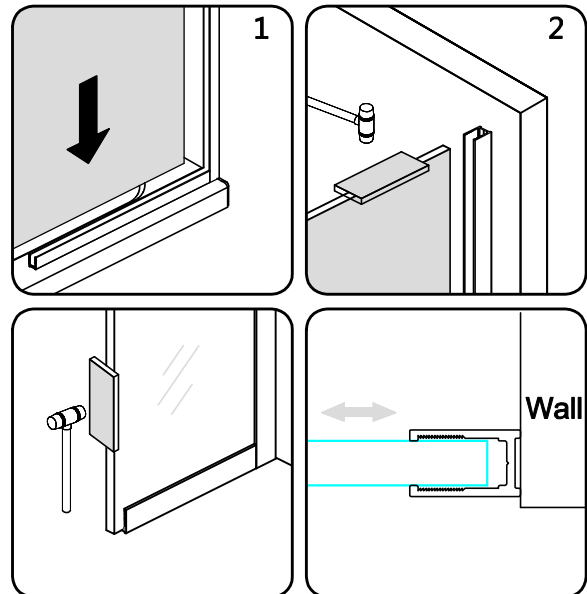
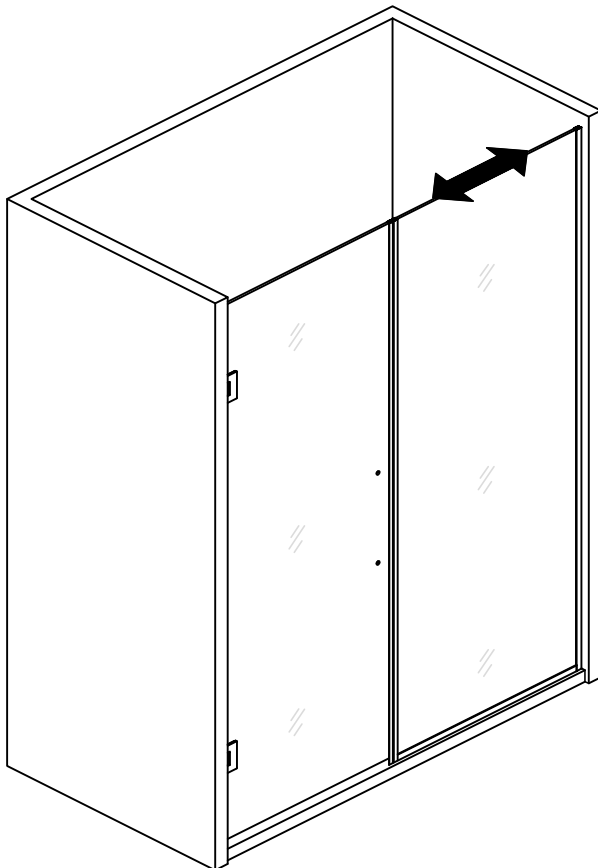


Fig 11



9 Top Bar(F) Installation

NOTE

- 1. Use a level and position the **Top Bar (F)** onto the **Stationary Glass (E)** as shown and mark the position on the wall as Fig.a
- 2. Remove the **Top Bar (F)** and mark the holes for drilling as Fig.b;
- 3. Drill one $\text{Ø}5/16"$ (8mm) hole and insert the **Wall Anchor (dd)**. Attach the **Top Bar (D)** using **ST5 x 30 Screws (cc)** as Fig.c, Fig.d and Fig.e;
- 4. Position the **Top Bar (F)** onto the **Stationary Glass (E)** and onto the wall as Fig.f

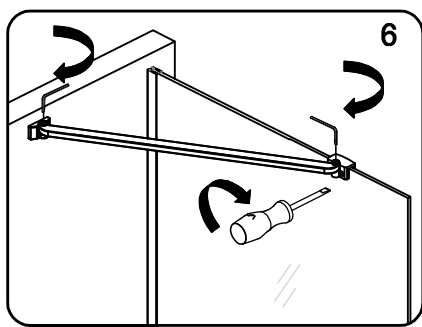
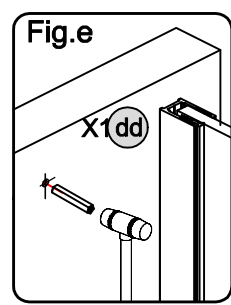
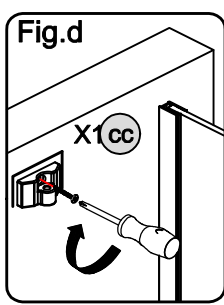
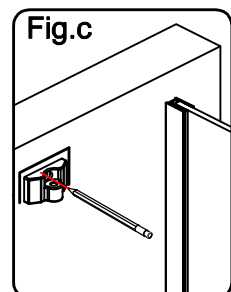
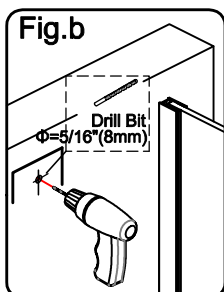
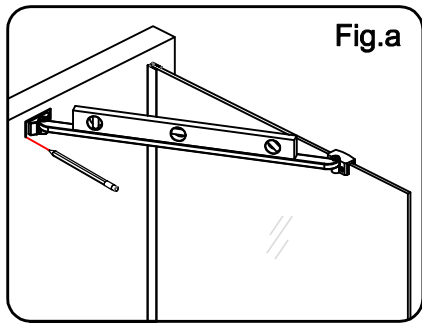
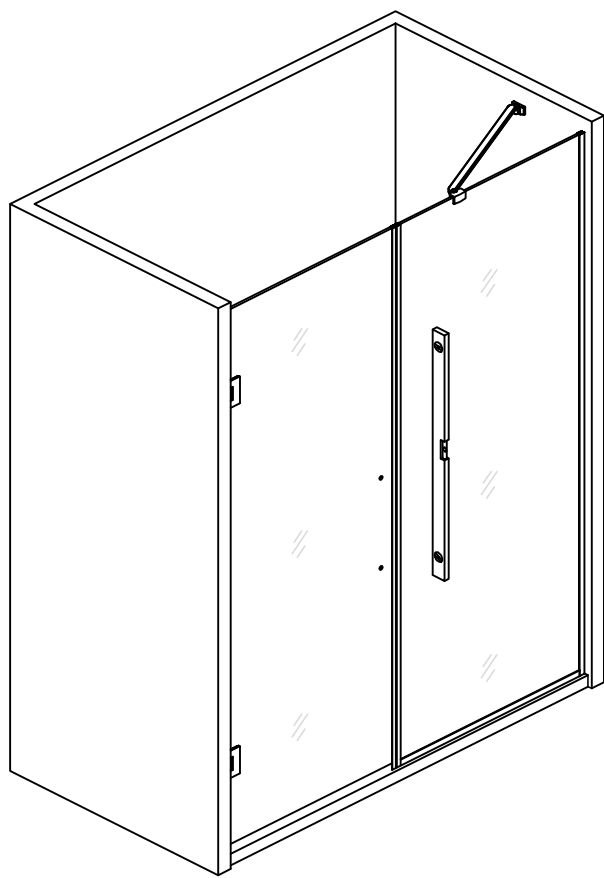
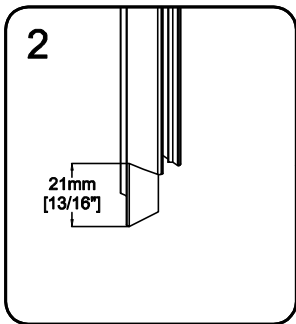
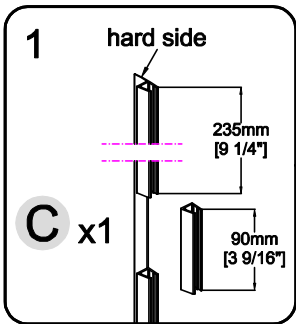


Fig 12

10 Anti-Water Strip(C) Installation

NOTE

Cut the **Anti-Water Strip(C)** as shown in the (Fig 13).
ATTENTION: Note the installation position of **Hinge (B)**, **Anti-Water Strip(C)** is installed on the glass at **Hinge (B)** side, and the end with hard edge is close to the shower area.



Hinged Left installation shown

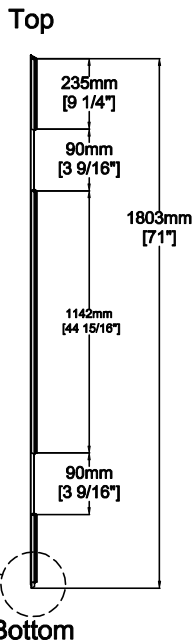


Fig 13

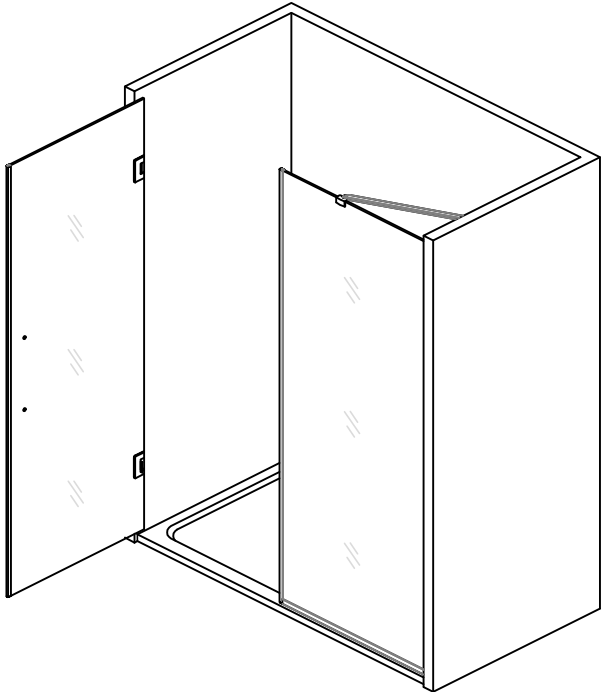
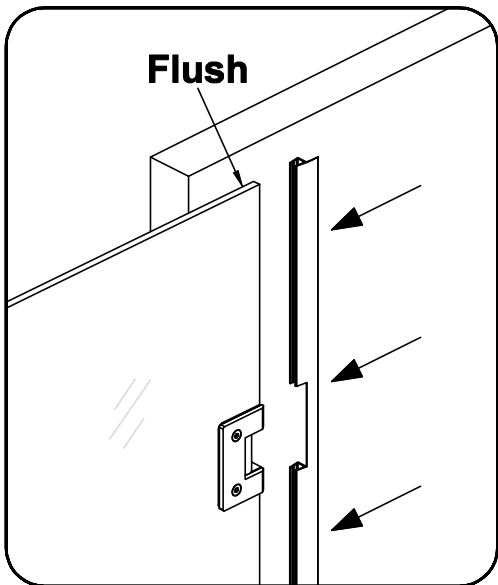


Fig 14

11 Bottom Anti-water Strip(A) Installation

NOTE

1. Measure the bottom of the **Glass Door (E)** from end to end to determine the actual width of the glass.
2. Cut the **Bottom Anti-water Strip (A)** to the size of your measurement (glass width X). (Fig 15.1)
3. Press the **Bottom Anti-Water Strip (A)** onto the bottom edge of the **Glass Door (E)**. (Fig 15.2)

Hinged Left
installation shown

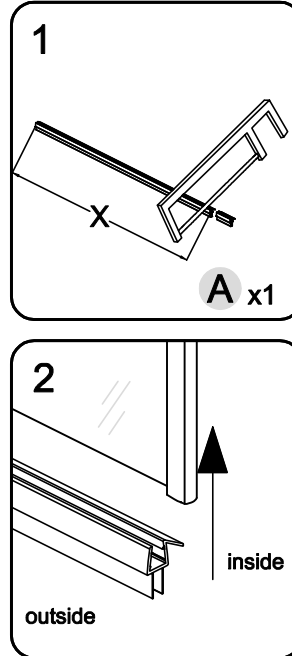
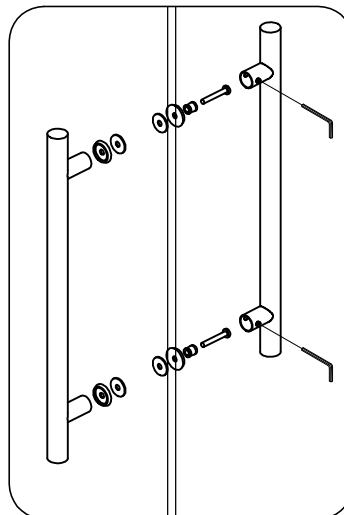
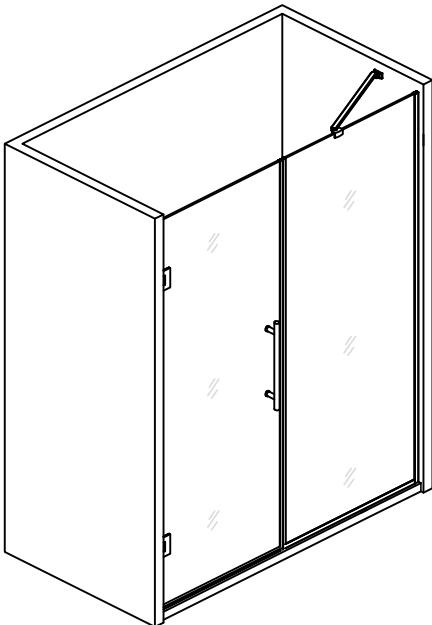


Fig 15

12 Handle(D) Installation



Attach the **Handle (D)** to the **Glass Door (E)**. Be sure to use all of the supplied rubber gaskets to protect the glass.

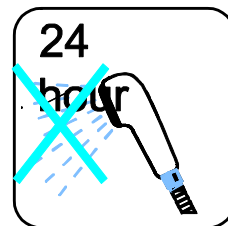
Fig 16

13 SEALING

NOTE The surfaces need to be clean and free of debris before applying silicone.

NOTE Ensure that the Shower door closes tightly and opens smoothly. Apply a good quality silicone sealant along the **Wall Profile (I)**, **Bottom Profile (J)** .

! Allow 24 hours for the silicone to cure before using the shower.



! Apply Silicone Sealant, (not supplied).

