

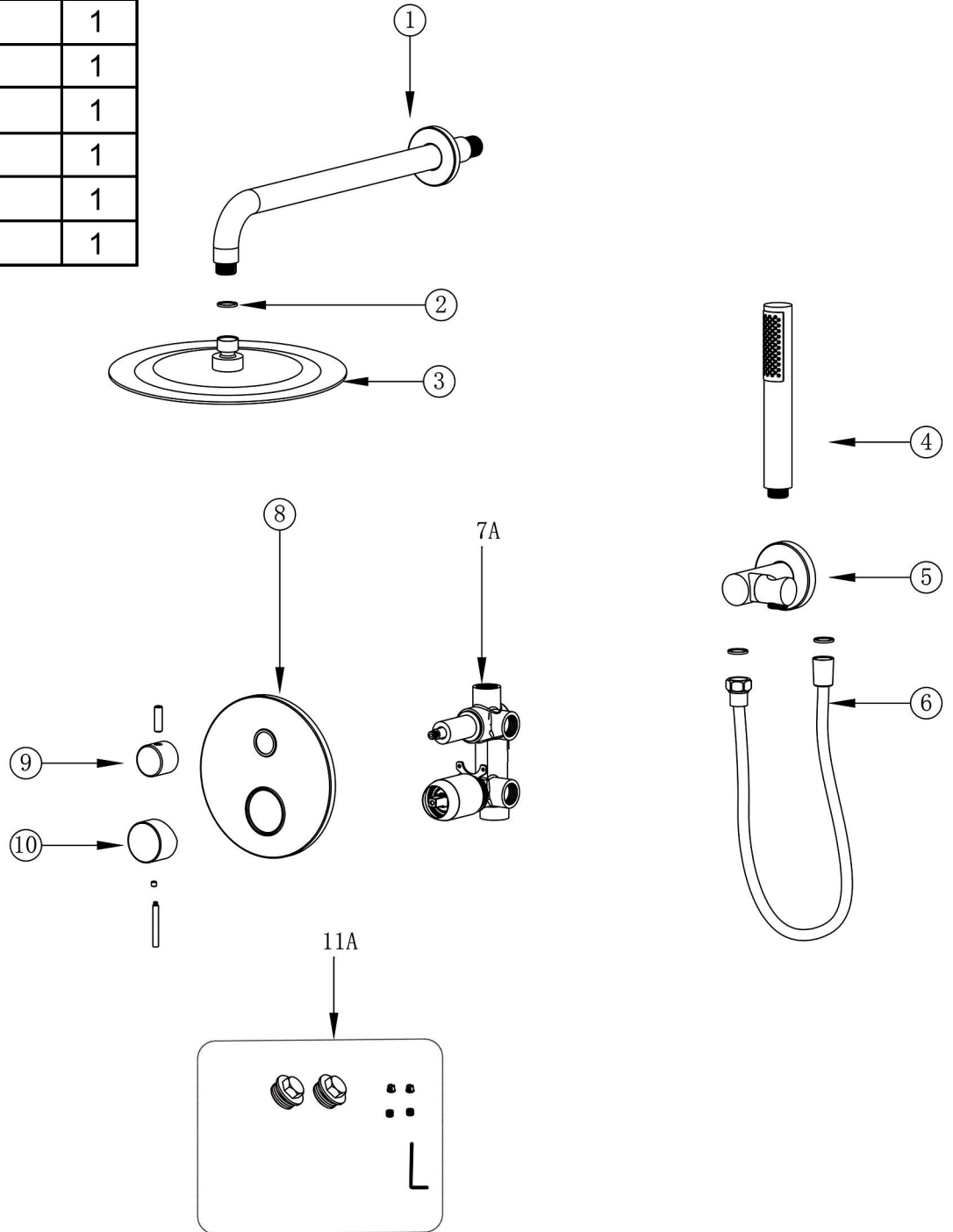
INSTALLATION INSTRUCTION



CONCEALED SHOWER

BEFORE INSTALLATION

NO.	Item	Qty
1	Shower arm	1
2	O-ring	3
3	Shower head	1
4	Hand shower	1
5	Hand shower bracket	1
6	Shower hose	1
7A	Main body	1
8	Trim plate	1
9	Diverter	1
10	Handle	1
11A	Accessory bag	1



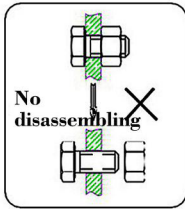
Check accessories

Standard List of Accessories:

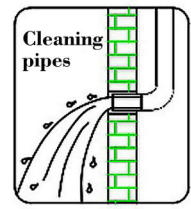
When you open the product packaging, please check whether the objects in it are consistent with the main body and accessories you purchased. If there is any inconsistency, please contact our company or our distributor.

INSTALLATION STEPS

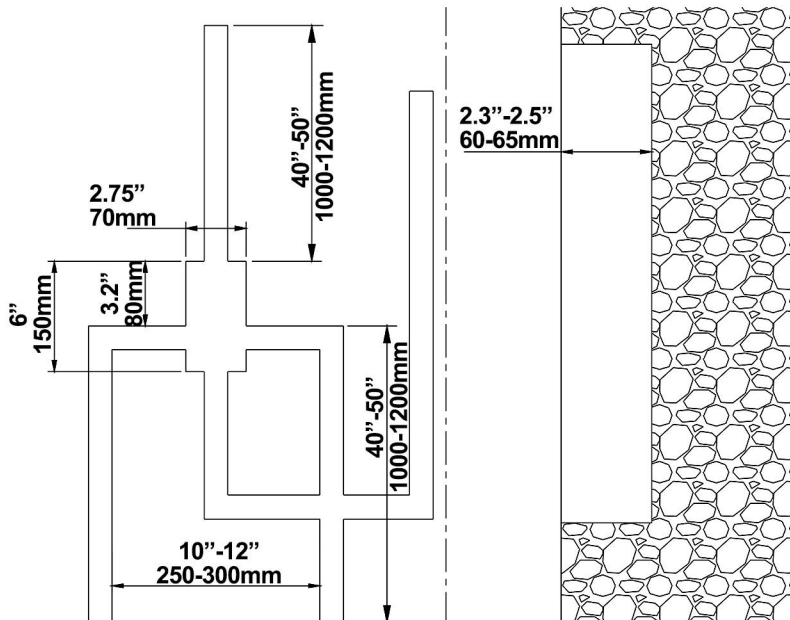
This product has been inspected and debugged by the factory to the best condition. Please do not disassemble and assemble it yourself.



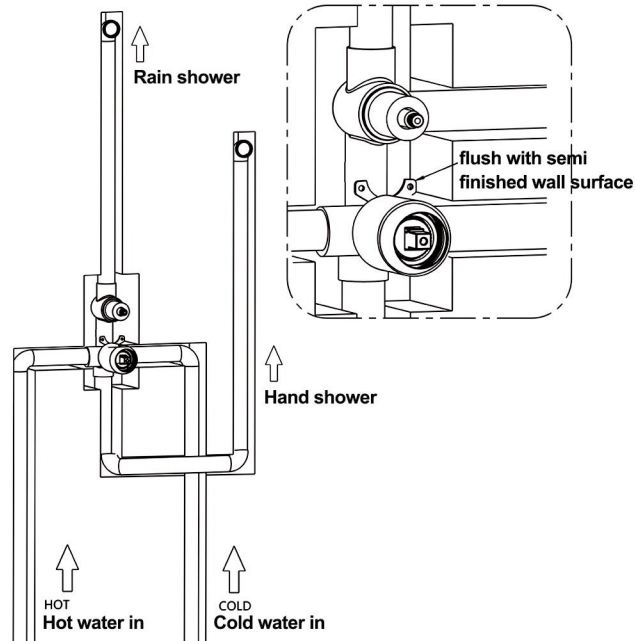
Before installing the faucet, please be sure to remove sundries and sludge from the water pipe to prevent sundries from blocking the faucet.



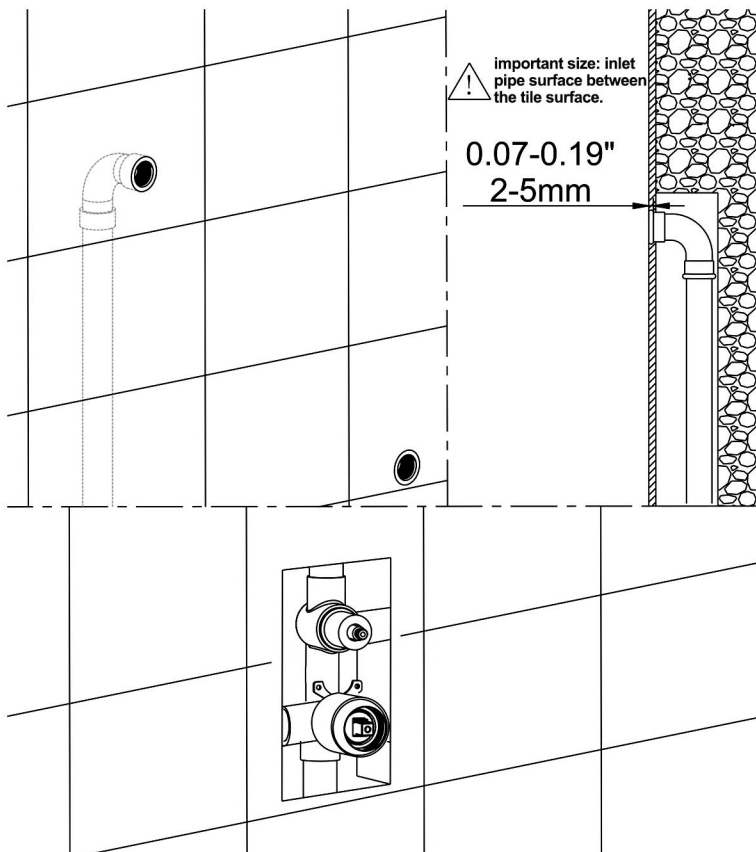
1. Dig pipe grooves for pre-burying pipes.



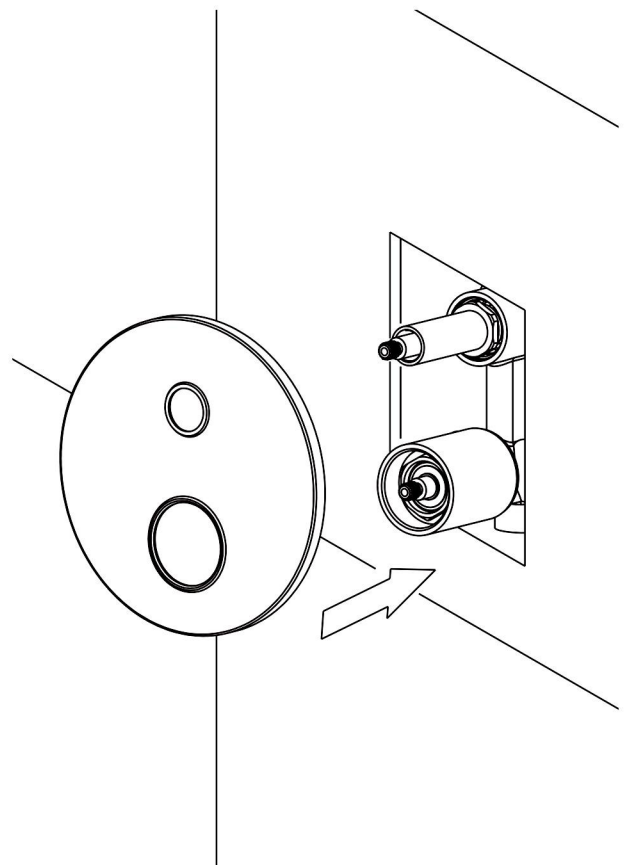
2. Install main body and inlet pipe.



3. Inlet pipe surface slightly below the tile surface/finished wall surface.

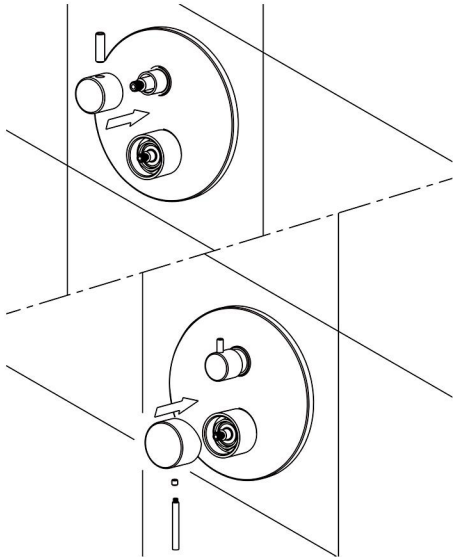


4. Install the trim plate

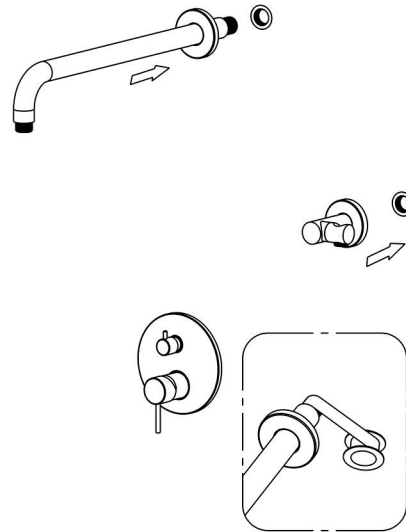


INSTALLATION STEPS

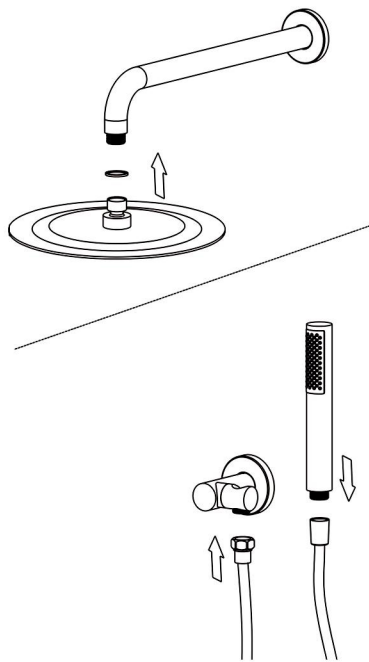
5. Install diverter and handle.



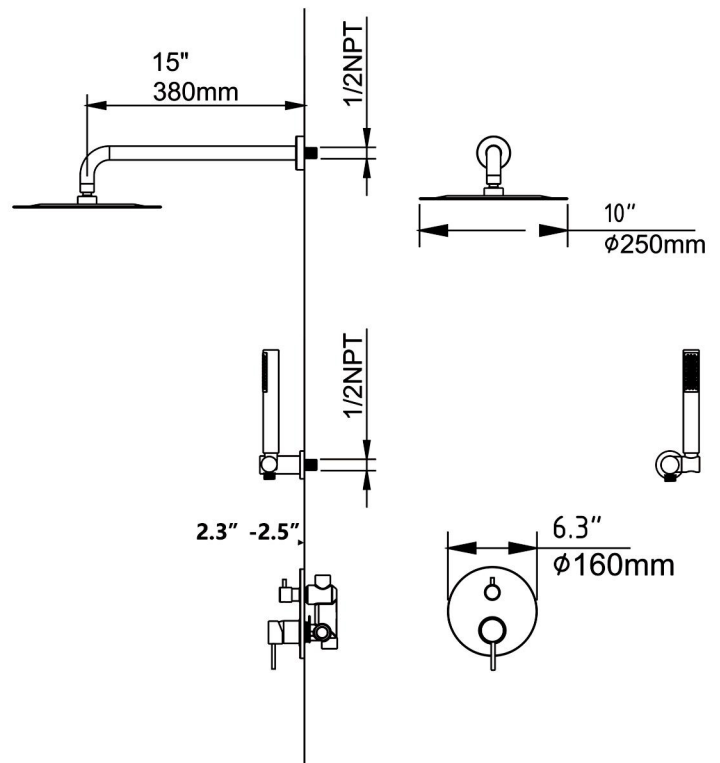
6. Install shower arm and hand shower bracket (wrap the PTFE tape on the thread).



7. Install shower head and hand shower Finished.



8. Size image.



CLEANING CARE

In order to keep the appearance of faucet clean, bright and good performance, please take care of the faucet as follows;

1. Rinse with water only and dry with soft cotton cloth;
2. Use mild liquid and colorless glass cleaner to remove surface dirt and scale film, or use polish without abrasive effect;
3. Do not use abrasive detergent, polish, emery cloth, paper towel or scraper, etc.;
4. Do not use acid cleaner, or cleaner and soap with insoluble gran etc.;
5. In the process of use, mud may accumulate in the bubbler and make the water flow slow, The bubbler can be unscrewed, rinsed with water, and then installed back in place.



