

Digital Pressure Gauge Kit

DPG-001



Features:

Supply Voltage: 4.5V

Accuracy: 0.4FS

Medium temperature: -20-80°C

Operating Temperature: -10-60°C

Overload Capacity: 150%

Measuring Medium: Water, gas and other media compatible with stainless steel

Contains:

Gauges:	80MPA	2PCS
Test Hose Assembly Test hoses	66inch	3 PCS
Test coupling:	G1/4, G3/8, M10*1, M10*1.25, M14*1.5, UNF7/16-20, UNF9/16-18, NPT1/4 , R1/4	9PCS
Quick connector	Caterpillar CAT/CASE/John Deere Komatsu	3PCS

DPG-002



Features:

Easy to carry

Suit Caterpillar Komatsu etc most brand excavator

Max working pressure: 10000PSI/700BAR

Contains:

Gauges:	70MPA	2PCS
Test Hose Assembly Test hoses	1.5m	2 PCS
Test coupling:	G1/8, G1/4, G3/8, M10*1, M10*1.25, M14*1.5, UNF7/16-20, UNF9/16-18, NPT1/4	9PCS
Quick connector	Caterpillar /CASE/John Deere-(BSP1/8F) Komatsu/HITACHI-(BSP1/4F)	2PCS

DPG-003



Features:

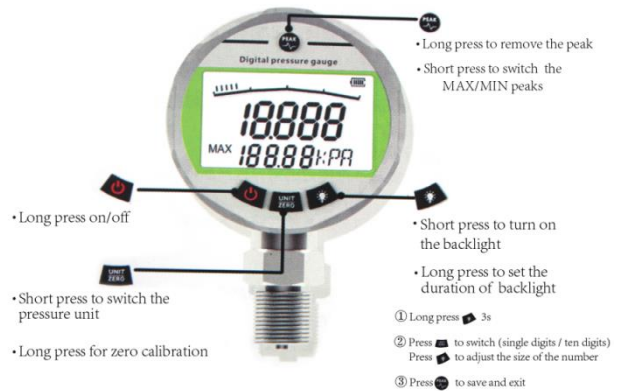
- Easy to carry
- Suit Caterpillar Komatsu etc most brand excavator
- Max working pressure: 10000PSI/700BAR



Contains:

Gauges:	70MPA , 16MPA	2PCS
Test Hose Assembly Test hoses	1.5m*2, 3m*1	3 PCS
Test coupling:	G1/8*2, G1/4*2, G3/8, M8*1, M10*1, M10*1.25, M12*1.5, M14*1.5, M16*1.5, UNF5/16, UNF7/16-20, UNF1/2-20, UNF9/16-18, R1/8, R1/4, NPT1/8, NPT1/4	19PCS
Quick connector	Caterpillar /CASE/John Deere-(BSP1/8F) Komatsu/HITACHI-(BSP1/4F)	4PCS

DPG-004



Features:

Supply Voltage: 4.5V

Accuracy: 0.4FS

Medium temperature: -20-80°C

Operating Temperature: -10-60°C

Overload Capacity: 150%

Measuring Medium: Water、 gas and other media compatible with stainless steel

Contains:

Gauges:	70MPA, 16MPA	3PCS
Test Hose Assembly Test hoses	141inch, 66inch*2	3 PCS
Test coupling:	G1/4*2 ,G1/8*2 PC, G3/8, R1/4,R1/8, M8*1, M10*1, M10*1.25, M12*1.5, M14*1.5, M16*1.5, UNF1/2-20, UNF1/4-18, UNF1/8-27, UNF5/16-24, UNF7/16-20, UNF9/16-18,	20PCS
Quick connector	Caterpillar CAT/CASE/John Deere *2 Komatsu*2	4PCS

DPG-005



Features:

Easy to carry

Suit Caterpillar Komatsu etc most brand excavator

Max working pressure: 10000PSI/700BAR

Contains:

Gauges:	70MPA	2PCS
Test Hose Assembly Test hoses	1.5m	2 PCS
Test coupling:	G1/8, G1/4, G3/8, M10*1, M10*1.25, M14*1.5, UNF7/16-20, UNF9/16-18, NPT1/4 -18 , JIC37°-7/16UNF , R1/4-19 , UNF1/2-20	13PCS
Quick connector	Caterpillar /CASE/John Deere-(BSP1/8F) Komatsu/HITACHI-(BSP1/4F) Volvo Sumsung Daewoo/Kawasaki	5PCS
Swivel Run Tees	SAE JIC-37°-7/16UNF -37°-1/2UNF -37°-9/16UNF -37°-3/4UNF -37°-7/8UNF -37°-1-1/16UNF -37°-1-5/16UNF ORFS-9/16-18UNF -11/16"-16UNF -13/16"-16UNF -1"-14UNF -1 3/16-12UNF -1 7/16-12UNF BSPP-1/4" 3/8" 1/2" 5/8" 3/4" 1" JIS30°(Komatsu)-M10*1.25 -M14*1.5 -M18*1.5 -M22*1.5 -M24*1.5 -M30*1.5 JIS30°BSPP(Kobelco)-BSP1/4" 3/8" 1/2" 3/4"	29pcs

DPG-006



Features:

Easy to carry

Suit Caterpillar Komatsu etc most brand excavator

Max working pressure: 10000PSI/700BAR

Contains:

Gauges:	70MPA	2PCS
Test Hose Assembly Test hoses	1.5m	2 PCS
Test coupling:	G1/8, G1/4, G3/8, M10*1, M10*1.25, M14*1.5, M12*1.5 ,UNF7/16-20, UNF9/16-18, NPT1/4 -18 , JIC37°-7/16UNF , R1/4-19 , UNF1/2-20	13PCS
Quick connector	Caterpillar /CASE/John Deere-(BSP1/8F) Komatsu/HITACHI-(BSP1/4F)	2PCS
Swivel Run Tees	SAE JIC-37°-7/16UNF -37°-1/2UNF -37°-9/16UNF -37°-3/4UNF -37°-7/8UNF -37°-1-1/16UNF -37°-1-5/16UNF ORFS-9/16-18UNF -11/16"-16UNF -13/16"-16UNF -1"-14UNF -1 3/16-12UNF -1 7/16-12UNF BSP-1/4" 3/8" 1/2" 5/8" 3/4" 1"	19pcs

Hydraulic Pressure Test Kit

DPG-007



Features:

Max working pressure: 10000PSI/600BAR

Contains:

Gauges:	25/40/60MPA	3PCS
Test Hose Assembly Test hoses	60 inches	3 PCS
Test coupling:	G1/8, G1/4, G3/8, M10*1, M10*1.25, M14*1.5, UNF7/16-20, UNF9/16-18	8PCS
Quick connector	Caterpillar /CASE/John Deere-(BSP1/8F)	1PCS

DPG-008



Features:

Max working pressure: 10000PSI/600BAR

Contains:

Gauges:	25/40/60MPA	3PCS
Test Hose Assembly Test hoses	60 inches	3 PCS
Test coupling:	G1/8, G1/4, M10*1, M10*1.25, UNF7/16-20, UNF9/16-18	6PCS

DPG-009



Features:

Max working pressure: 10000PSI/400BAR

Contains:

Gauges:	10/25/40MPA	3PCS
Test Hose Assembly Test hoses	60 inches	3 PCS
Test coupling:	R1/4, G1/4, M10*1, M14*1.5, UNF7/16-20, NPT1/4 -18	6PCS

DPG-010



Features:

Max Work Pressure: 9,000 PSI

Contains:

Gauges:	25/40/60MPA	3PCS
Test Hose Assembly Test hoses	60 inches	3 PCS
Test coupling:	R1/4, G1/4, M10*1, M14*1.5, UNF7/16-20, NPT1/4 -18	6PCS

DPG-011



Features:

Max working pressure: 10000PSI/600BAR

Contains:

Gauges:	10/25/40/60MPA	4PCS
Test Hose Assembly Test hoses	60 inches	4 PCS
Test coupling:	G1/8, G1/4, M10*1, G3/8, M10*1.25, M14*1.5, UNF7/16-20, UNF9/16-18, NPT1/4, M8*1.0	10PCS

DPG-012



Features:

Max working pressure: 10000PSI/600BAR

Contains:

Gauges:	25/40/60MPA	4PCS
Test Hose Assembly Test hoses	60 inches	3 PCS
Test coupling:	G1/8, G1/4, M10*1, G3/8, M10*1.25, M14*1.5, UNF7/16-20, UNF9/16-18, NPT1/4, M8*1.0	12PCS

DPG-013



Features:

Max working pressure: 10000PSI/600BAR

Contains:

Gauges:	1/10/25/40/60MPA	5PCS
Test Hose Assembly Test hoses	64 inches*2 141inch	4 PCS
Test coupling:	G1/4,G1/8,G3/8 ,R1/4 ,R1/8,M8*1,M10*1,M10*1.25,M12*1.5 ,M14*1.5,M16*1.5,UNF1/2,UNF1/4,UNF1/8,UNF5/16 ,UNF7/16 ,UNF9/16-18 ,JIC37-UNF7/16	20PCS
Quick connector	Caterpillar /CASE/John Deere-(BSP1/8F) *2 Komatsu*2pcs	4PCS

DPG-014



Features:

Max working pressure: 5000PSI/400BAR

Contains:

Gauges:	10/25/40MPA	3PCS
Test coupling:	UNF7/8,UNF5/8,UNF5/16,UNF1/2 ,G1/4(BSP1/4) , M14*1.5 ,M28*1.5	7PCS

DPG-015



Features:

Max working pressure: 10000PSI/600BAR

Contains:

Gauges:	1/10/25/40/60MPA	5PCS
Test Hose Assembly Test hoses	61.5inch	5 PCS
Test coupling:	G1/2 ,G1/4 ,G1/8 ,G3/8 ,M10*1 ,M10*1.25 ,M12*1.5 ,M14*1.5 ,M16*1.5 ,M18*1.5 ,M9/16 ,U7/16	13PCS
Tee connector	3/8 Female ,3/8 Male ,M18*1.5 Female ,M18*1.5 Male ,M16*1.5 Female ,M16*1.5 Male ,7/16 Female ,1/4 Female ,1/4 Male ,M14*1.5 ,M14*1.5 Female ,11/16 ,9/16 Female ,9/16	15pcs
Quick connector	Komatsu	1 PCS

DPG-016



Features:

Max working pressure: 10000PSI/600BAR

Contains:

Gauges:	1/10/25/40/60MPA	5PCS
Test Hose Assembly Test hoses	60 inches*2, 120inshes	3 PCS
Test coupling:	BSP 1/8"*2 ,BSP 1/4" *2 ,BSP 3/8" G1/8, G1/4, M10*1, G3/8, M8*1, M12*1.5, M16*1.5 , M10*1.25, M14*1.5, UNF 5/16-24, UNF 1/2-20, JIC37 UNF 7/16-20 female,UNF7/16-20, UNF9/16-18, NPT1/4, M8*1.0	20PCS
Quick connector	Caterpillar /CASE/John Deere-(BSP1/8F) Hyundai	4PCS

DPG-017



Features:

Max working pressure: 10000PSI/600BAR

Contains:

Gauges:	25/40/60MPA	3PCS
Test Hose Assembly Test hoses	60 inches	3 PCS
Test coupling:	G1/8, G1/4, M10*1, G3/8, M10*1.25, M14*1.5, UNF7/16-20, UNF9/16-18, NPT1/4	9PCS
Quick connector	Caterpillar /CASE/John Deere-(BSP1/8F) Hyundai	2PCS

DPG-018



Features:

Max working pressure: 10000PSI/600BAR

Contains:

Gauges:	25/40/60MPA	3PCS
Test Hose Assembly Test hoses	1.5m	3 PCS
Test coupling:	G1/8, G1/4, M10*1, G3/8, M10*1.25, M12*1.5, M14*1.5, UNF7/16-20, UNF1/2-20, UNF9/16-18, NPT1/4-18, R1/4-19, JIC37°-7/16UNF	13PCS
Quick connector	Caterpillar /CASE/John Deere-(BSP1/8F) Komatsu/Hitachi-(BSP1/8F) Volvo-(BSP1/8F) Sumsung-(BSP1/8F) Daewoo/Kawasaki-(BSP1/8F)	5PCS
Swivel Run Tees	SAE JIC-37°-7/16UNF -37°-1/2UNF -37°-9/16UNF -37°-3/4UNF -37°-7/8UNF -37°-1-1/16UNF -37°-1-5/16UNF ORFS-9/16-18UNF -11/16"-16UNF -13/16"-16UNF -1"-14UNF -1 3/16-12UNF -1 7/16-12UNF BSPP-1/4" 3/8" 1/2" 5/8" 3/4" 1" JIS30°(Komatsu)-M10*1.25 -M14*1.5 -M18*1.5 -M22*1.5 -M24*1.5 -M30*1.5 JIS30°BSPP(Kobelco)-BSP1/4" 3/8" 1/2" 3/4"	29pcs

DPG-019



Features:

Max working pressure: 10000PSI/600BAR

Contains:

Gauges:	25/40/60MPA	3PCS
Test Hose Assembly Test hoses	1.5m	3 PCS
Test coupling:	G1/8, G1/4, G3/8, M10*1, M10*1.25, M14*1.5, M12*1.5 ,UNF7/16-20, UNF9/16-18, NPT1/4 -18 , JIC37°-7/16UNF , R1/4-19 , UNF1/2-20	13PCS
Quick connector	Caterpillar /CASE/John Deere-(BSP1/8F) Komatsu/HITACHI-(BSP1/4F)	2PCS
Swivel Run Tees	SAE JIC-37°-7/16UNF -37°-1/2UNF -37°-9/16UNF -37°-3/4UNF -37°-7/8UNF -37°-1-1/16UNF -37°-1-5/16UNF ORFS-9/16-18UNF -11/16"-16UNF -13/16"-16UNF -1"-14UNF -1 3/16-12UNF -1 7/16-12UNF BSP-1/4" 3/8" 1/2" 5/8" 3/4" 1"	19pcs

DPG-020



Features:

Max working pressure:5000PSI/400BAR

Contains:

Gauges:	16/25/40MPA	3PCS
Test Hose Assembly Test hoses	59 inches	2 PCS
Test coupling:	1/8"BSP, 1/4"BSP, 1/8"NPT, 1/4"NPT, 7/16-20 UNF, 9/16-20 UNF male, M16 x 2 male	6PCS

DPG-021



Features:

Max working pressure: 10000PSI/600BAR

Contains:

Gauges:	25/40/60MPA	3PCS
Test Hose Assembly Test hoses	59 inches	3 PCS
Test coupling:	R1 / 4, G1/4, M10*1, M14*1.5, UNF7/16-20, UNF9/16-18	6PCS

DPG-022



Features:

Max working pressure: 10000PSI/600BAR

Contains:

Gauges:	25/40/60MPA	3PCS
Test Hose Assembly Test hoses	59 inches	3 PCS
Test coupling:	G1/8, G1/4, M10*1, G3/8, M10*1, M10*1.25, M14*1.5, UNF7/16-20, UNF9/16-18	9PCS
Release Coupling	Caterpillar	1pc

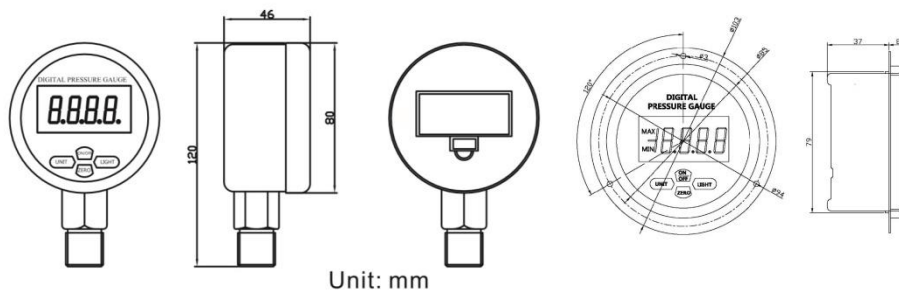
Digital Pressure Gauge

DPG-023 XZT Series Digital Pressure Gauge

XZT Series Digital Pressure Gauge are a high-precision and intelligent digital pressure gauge. They are a high-precision sensor and display the pressure accurately in real time, equipped with a large size LCD. And they are convenient to install and easy to operate. They can be used to measure gas, liquid, oil and other noncorrosive mediums of stainless steel. They apply to these fields: portable pressure measurement, equipment supporting.



Technical Drawing:



Features:

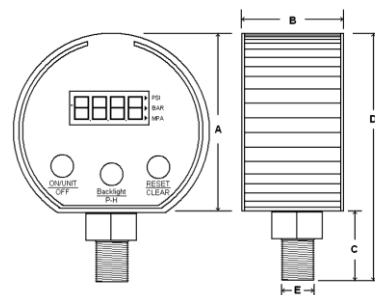
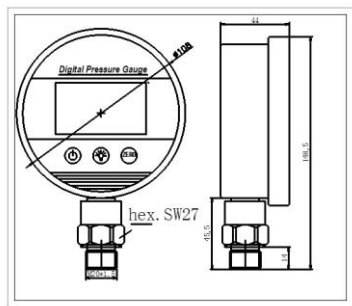
Overload Capacity	150%
Accuracy	0.5%FS
Long-term Stability	2 years
Input Voltage	3V (two 1.5V AAA batteries)
Working Temperature	-20C-70C
Thickness	46mm (1.81inch)
Outline Dimension	80mm (3.15inch)
Length	120mm (4.72inch)

DPG-024 DPG Series Digital Pressure Gauge

DPG Series Digital Pressure Gauge are a high-precision and intelligent digital pressure gauge. They are equipped with a silicone case for waterproof and protection. And The 4-digit LCD display allows for easy point-of-reference pressure readings. The backlight of digital gauge automatically shut down in 25 seconds. They apply to these fields: portable pressure measurement, equipment supporting.



Technical Drawing:

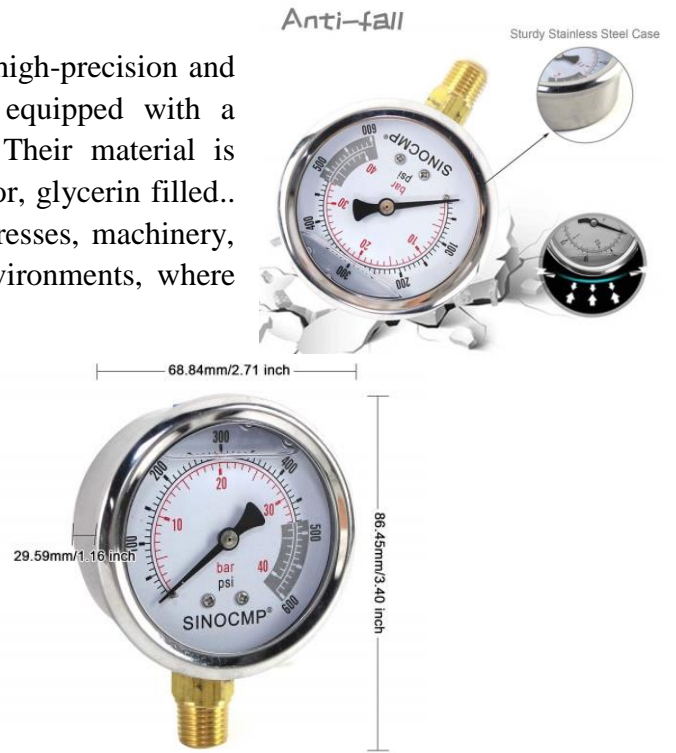


Features:

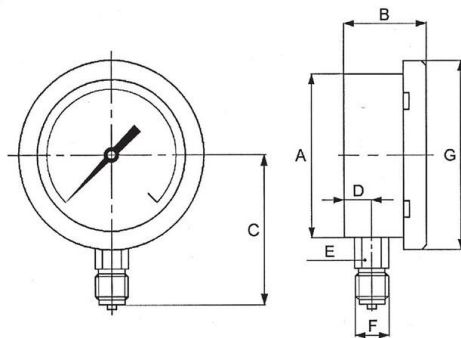
Supply Voltage	3V
Accuracy	0.4%FS
Long-term Stability	2 years
Input Voltage	3V (two 1.5V AAA batteries)
Operating Temperature	-10~60°C
Medium temperature	-20~80°C
Overload Capacity	150%

DPG-026 DPG Series Hydraulic Pressure Gauge

DPG Series Hydraulic Pressure Gauge e are a high-precision and intelligent digital pressure gauge. They are equipped with a silicone case for waterproof and protection. Their material is stainless steel case, brass internals and connector, glycerin filled.. They apply to umps, compressors, hydraulic presses, machinery, pneumatic equipment and motors in harsh environments, where harmful vibration and pulsation are present.






Technical Drawing:



Features:

Supply Voltage	3V
Accuracy	+/-3-2-3%
Long-term Stability	2 years
GAUGE SIZE	2.5" (63mm)
Working temperature	-4 to 140 deg F/-20 to 60 deg C
Ambient temperature	140 deg F/60 deg C maximum

Hydraulic Hose Test

		
<p>DPG-27 M16x2 female Hose Test Temperature range: -40°C-120°C Allow Work Pressure: 64MPa Minimum burst pressure: 160MPa Hose length: 5 meter</p>	<p>DPG-28 M16x2/ BSP1/4 Hose Test Temperature range: - 40 °C +120 °C Allow Work Pressure: 64MPa Minimum burst pressure: 160MPa Hose length: 30 mm/1.18inch</p>	<p>DPG-29 NPT1/4 female Hose Test Temperature range: -40°C-120°C Allow Work Pressure: 9000PSI Hose length: 0.5 -10meter</p>

DPG-30 Hydraulic Pressure Test Quick Release Coupling



B Quick connector for Catpelier/CASE/John Deere-(BSP1/8F)

C Quick connector for Komatsu/Hitachi-(BSP1/8F)

D Quick connector for Volvo-(BSP1/8F)

E Quick connector for Sumsung/Case-(BSP1/8F)

F Quick connector for Daewoo/Kawasaki-(BSP1/8F)

Hydraulic Swivel Run tees Tester

<p>JIS30°(Komatsu) Series</p>  <p>JIS30°(Komatsu)-M10*1.25 JIS30°(Komatsu)-M14*1.5 JIS30°(Komatsu)-M18*1.5 JIS30°(Komatsu)-M22*1.5 JIS30°(Komatsu)-M24*1.5 JIS30°(Komatsu)-M30*1.5</p>	<p>DPG-031 JIS30°(Komatsu) Series</p> <p>JIS30°(Komatsu)-M10*1.25 JIS30°(Komatsu)-M14*1.5 JIS30°(Komatsu)-M18*1.5 JIS30°(Komatsu)-M22*1.5 JIS30°(Komatsu)-M24*1.5 JIS30°(Komatsu)-M30*1.5</p>