

Caterpillar EXCAVATOR PARTS---Controller

CMPC-A001		CMPC-A002		CMPC-A003		CMPC-A004	
Caterpillar Controller, CPU, Control panel, Computer Board		Caterpillar Controller, CPU, Control panel, Computer Board		Caterpillar Controller, CPU, Control panel, Computer Board		Caterpillar Controller, CPU, Control panel, Computer Board	
E120B E200B		320A 320L E320 322L 322LN 322N		325A 325L 325 LN E330 E325		315 E315A	
861-03705 E861-03705A		119-0609/ 106-0138 1190609/ 1060138		102-8012/ 106-0134 1028012/ 1060134		119-9971 1199971	
CMPC-A005		CMPC-A006		CMPC-A007		CMPC-A008	
Caterpillar Controller, CPU, Control panel, Computer Board		Caterpillar Controller, CPU, Control panel, Computer Board		Caterpillar Controller, CPU, Control panel, Computer Board		Caterpillar Controller, CPU, Control panel, Computer Board	
330C 330CL 330CLN		E320B 320B		320B 320B L 320B N 320B S 325B 330B		330B L W330B E330B 312B	
240-5313/ 157-3165 2405313/ 1573165		119-0607/ 119-0607X-00 177-7723		164-8261/ 164-8285 151-9293		164-8255/ 157-3207	
CMPC-A009		CMPC-A010		CMPC-A011		CMPC-A012	
Caterpillar Controller, CPU, Control panel, Computer Board		Caterpillar A/C panel, air conditioner controller		Caterpillar A/C panel, air conditioner controller		Caterpillar Lamp Controller	
320D 312D 311D		E320D 320D		E320C 320C		320B 320C 320D	
331-7539/ 221-8874 221-8874		293-1136/ 145670-350		157-3210/ 146432-822		155-7042/ 176810-0050	
CMPC-A013		CMPC-A014		CMPC-A015		CMPC-A016	
Caterpillar excavator controller connector plug wire harness		Caterpillar excavator controller connector plug wire harness		Caterpillar excavator controller connector plug wire harness		Caterpillar Head Lamp and Wiper Motor Controller	
E320		E320B				320B 318C 320C 320D	
						222-8183/ 111-4800X 70800-KS9011	
CMPC-A017		CMPC-A018					
Caterpillar Head Lamp and Wiper Motor Controller		Caterpillar Head Lamp and Wiper Motor Controller					
E320C		311D 312D 320D					
163-6701		227-7575/ 191-6537					

EMAIL: service@sinocmp.com sales@excavator-parts.com sales@cmpparts.com

Whatsapp: +8615328181468 +8613242057399 +8613434784596

Skype: Mou Mark(CMP) sinocmp-daisy

Caterpillar EXCAVATOR PARTS----Monitor LCD

CMPC-B001	CMPC-B002	CMPC-B003	CMPC-B004
			
Caterpillar Display Monitor Panel, Cluster Gauge panel	Caterpillar Display Monitor Panel, Cluster Gauge panel	Caterpillar Display Monitor Panel, Cluster Gauge panel	Caterpillar Display Monitor Panel, Cluster Gauge panel
311 312 315 315 L 320A E320A	312B 312B L 315B 325B 320B	E 320C 312C 322C 325C 330C	320D 320D L 320D LRR 320D RR 323D L 323D LN 323D S
7Y-5500	151-9385/ 106-0172 106-0176	157-3198/ 260-2160 177-7700	279-7611/ 227-7698 386-3457
CMPC-B005	CMPC-B006	CMPC-B007	CMPC-B008
			
Caterpillar Display Monitor Panel, Cluster Gauge panel	Caterpillar Display Monitor Panel, Cluster Gauge panel	Caterpillar Monitor LCD	Caterpillar Monitor LCD
320D	312D 315D L 319D 320D 325D 323D	311 312 315 315 L 320A E320A	312B 312B L 315B 325B 320B 330B
260-2193/ 327-7482	319-4353/ 319-4354 450-0714		
CMPC-B009	CMPC-B010	CMPC-B011	
			
Caterpillar Monitor LCD Module	Caterpillar Monitor LCD Module	Caterpillar Monitor Connector Cable	
E 320C 312C 322C 325C 330C	320D	E 320C 312C 330C 322C 325C	

Caterpillar EXCAVATOR PARTS---Motor Parts

CMPC-C001	CMPC-C002	CMPC-C003	CMPC-C004
Caterpillar Motor Assy, Throttle Governor Motor, Accelerator	Caterpillar Motor Assy, Throttle Governor Motor, Accelerator	Caterpillar Motor Assy, Throttle Governor Motor, Accelerator	Caterpillar Motor Assy, Throttle Governor Motor, Accelerator
E 307A 307 E 307B 307B	E 307B 307B	E311 E313 E314	E320 E320A E320L E330L
111-5497/ 132-7818	102-8007		106-0092/ 7Y-3913 105-0092/ 7Y-5571/ 109-0092
CMPC-C005	CMPC-C006	CMPC-C007	CMPC-C008
Caterpillar Motor Assy, Throttle Governor Motor, Accelerator	Caterpillar Motor Assy, Throttle Governor Motor, Accelerator	Caterpillar Motor Assy, Throttle Governor Motor, Accelerator	Caterpillar Motor Assy, Throttle Governor Motor, Accelerator
E320A E320 E320L E312 E312A	E320 E325B E325L E325 E320 E320A E320L	312B 312BL E312B 320B 320B L	320C 320C L 320D 320D L
7Y-5559/ 4I-5496 7Y-3914/ 247-5227	7Y-5461/ 7Y-5558 106-0100	247-5231/ 247-5229 119-0633/ 120-0002	247-5212/ 247-5214 227-7672/ 227-7372
CMPC-C009	CMPC-C010	CMPC-C011	CMPC-C012
Caterpillar Motor Assy, Throttle Governor Motor, Accelerator	Caterpillar Motor Assy, Throttle Governor Motor, Accelerator	Caterpillar Motor Assy, Throttle Governor Motor, Accelerator	Caterpillar Motor Assy, Throttle Governor Motor, Accelerator
312C 312C L 318C 319C 320C	307C 308C 309C 311C 315C 324C 325C 329C 330C	320B 320B L 322B 325B L 325B 330B	E312B 312B E311B 311BL 322B 325B E330B
157-3177/ 247-5207 247-5211	164-8233/ 185-2481	247-5232/ 132-7778 241-5253	106-0126/ 139-3917 132-7776
CMPC-C013	CMPC-C014	CMPC-C015	CMPC-C016
Caterpillar Motor Assy, Throttle Governor Motor, Accelerator	Caterpillar Excavator Throttle Motor Single Cable	Caterpillar Excavator Throttle Motor Double Cable	Caterpillar Excavator Throttle Motor Single Cable
325BL E325BL E324BL	E320 E320A E320L E330L	E320A E320 E320L E312 E312A	307C 308C 309C 311C 315C 324C 325C 329C 330C
247-5234		157-3160	
CMPC-C017	CMPC-C018	CMPC-C019	CMPC-C020
Caterpillar Excavator Throttle Motor Double Cable	Caterpillar Throttle Drive Panel for Throttle Motor Assembly with 6 Lines	Caterpillar Throttle Drive Panel for Throttle Motor Assembly with 7 Lines	Caterpillar Throttle Drive Panel for Throttle Motor Assembly with 6 Lines
312C 312C L 318C 319C 320C 320C L 320D 320D L	E312B 312B E311B 311BL 320B 325B E330B	E320C 320C	E320

EMAIL: service@sinoamp.com sales@excavator-parts.com sales@cmpparts.com

Whatsapp: +8615328181468 +8613242057399 +8613434784596

Skype: Mou Mark(CMP) sinoamp-daisy

Caterpillar EXCAVATOR PARTS---Motor Parts

CMPC-C021	CMPC-C022	CMPC-C023	CMPC-C024
			
Caterpillar Drive Panel Connector Plug Wire Harness 6 Holes	Caterpillar Drive Panel Connector Plug Wire Harness 8 Holes	Caterpillar Throttle Electric Motor, Accelerator	Caterpillar Throttle Knob, Fuel Dial
320B	320C	320 320B 320C 320D 330B	E320B E320C
CMPC-C025	CMPC-C026	CMPC-C027	CMPC-C028
			
Caterpillar Throttle Knob, Fuel Dial	Caterpillar Blower Motor 24V Long	Caterpillar Blower Motor 24V	Caterpillar Blower Motor 24V Long
E320	320 320A	320B	320C
	162500-7191	7I-6603	
CMPC-C029			
			
Caterpillar Blower Motor 24V			
320D 330D			
245-7839			

Caterpillar EXCAVATOR PARTS---Sensor and switch

CMPC-D001	CMPC-D002	CMPC-D003	CMPC-D004
Caterpillar Excavator Throttle Motor Positioner Sensor, Fitting Sensor	Caterpillar Excavator Throttle Motor Positioner Sensor, Fitting Sensor	Caterpillar SENSOR AS-PRESSURE, Pressure Sensor 40MPa	Caterpillar SENSOR AS-PRESSURE, Oil Fuel Pressure Sensor
320B 320C 320D	315B E320B E320C	311D 312D 314D 320D	325D 330C E325D E330C
227-7658	247-5230/ 106-0107	260-2180	161-1705/ 161-1704
CMPC-D005	CMPC-D006	CMPC-D007	CMPC-D008
Caterpillar Water Temperature Sensor, Water Temperature Alarm	Caterpillar Water Temperature Sensor, Water Temperature Alarm	Caterpillar Water Temperature Sensor	Caterpillar Water Temperature Sensor
311C 312C 318B 318C E320B E320C	E330B	E200B	E320D 320D
5I-7578/ 34390-00800 297-9314	4I-5394	05204-50300	238-0112
CMPC-D009	CMPC-D010	CMPC-D011	CMPC-D012
Caterpillar Water Temperature Sensor	Caterpillar Excavator Water Temperature Sensor	Caterpillar Revolution Speed Sensor	Caterpillar SENSOR GROUP-SPEED, Revolution Speed Sensor
315C 317B 318B 320B E320C	E320C	E320C	317B 318B 320B 320C
135-2336	34390-02200	5I-7579	125-2966
CMPC-D013	CMPC-D014	CMPC-D015	CMPC-D016
Caterpillar SENSOR GROUP-SPEED, Revolution Speed Sensor	Caterpillar SENSOR GROUP-SPEED, Revolution Speed Sensor	Caterpillar ENGINE OIL PRESSURE, Engine Oil Pressure Sensor	Caterpillar SENSOR AS-PRESSURE, Hydraulic Pump Pressure Sensor
317B 318B 320B 320C	E330B E330	311C 312C 314C 312B 312B L 315B L 315C 317B L E320B	E320C 320C
196-7973	189-5746	266-6210/ 5I-8005 34390-40200	221-8859/ 106-0178 157-3182
CMPC-D017	CMPC-D018	CMPC-D019	CMPC-D020
Caterpillar SWITCH AS-PRESSURE, Pressure Switch Square Plug	Caterpillar SWITCH AS-PRESSURE, Pressure Switch Square Plug	Caterpillar SWITCH AS-PRESSURE, Pressure Switch Round Plug	Caterpillar SWITCH AS-PRESSURE, Pressure Switch Round Plug
312B 312B L 315B L E320B E320C	312B 315B L 317B 318B E320B E320C	E320A E312B E320B E320C	E320 311C 311D 312D 314C 314D
106-0180X02	106-0181	126-2938X03/ 106-0096	106-0180X03/ 309-5768

EMAIL: service@sinocmp.com sales@excavator-parts.com sales@cmpparts.com

Whatsapp: +8615328181468 +8613242057399 +8613434784596

Skype: Mou Mark(CMP) sinocmp-daisy

Caterpillar EXCAVATOR PARTS----Sensor and switch

CMPC-D021	CMPC-D022	CMPC-D023	CMPC-D024
			
Caterpillar SWITCH AS-PRESSURE, Pressure Switch Square Plug 307B E330B E330C 345C 345C L 345D 345D L	Caterpillar SWITCH AS-PRESSURE, Pressure Switch Round Plug 307 312 315 317 330L	Caterpillar Oil Pressure Switch 325 BL E330B	Caterpillar SENSOR GROUP-PRESSURE, Oil Pressure Sensor Switch E330C
106-0179X03/ 309-5795	119-9985X01/ 20PS767-7	3E-6455	224-4536
CMPC-D025	CMPC-D026	CMPC-D027	CMPC-D028
			
Caterpillar SWITCH AS-LIQUID LEVEL, Oil Pressure Sensor Switch 320B 320C E320B E320C	Caterpillar SENSOR GROUP-PRESSURE, Oil Pressure Sensor Switch 320B 320C	Caterpillar SENSOR GROUP-PRESSURE, Oil Pressure Sensor Switch 311D 312D 314D 315D 319D	Caterpillar SENSOR GROUP-PRESSURE, GP Sensor
213-0677	216-8684	238-0118	274-6721/ 274-6720
CMPC-D029	CMPC-D030	CMPC-D031	CMPC-D032
			
Caterpillar Excavator Ignition Switch (two plugs)	Caterpillar Excavator Ignition Switch (three plugs)	Caterpillar Excavator Ignition Switch (four plugs) E320C	Caterpillar Excavator Ignition Switch (five plugs) E200B
7N-0718	7N-4160	9G-7641	0.00
CMPC-D033			
			
Caterpillar Excavator Ignition Switch (six plugs) 307 307B 307C 308C 311 311C 312 312B			
7Y-3918			

Caterpillar EXCAVATOR PARTS---Wire harness

CMPC-E001	CMPC-E002	CMPC-E003	CMPC-E004
			
Caterpillar HARNESS AS-CHASSIS, External Outer Wiring Harness	Caterpillar ENGINE HARNESS ASSEMBLY, Engine Wire Harness	Caterpillar HARNESS ASSEMBLY, Engine Wire Harness	Caterpillar HARNESS AS-ENGINE, Engine Wire Harness
E320C	322C 325C	E330C 330C	320D E320D
186-4605HE01	195-7336	230-6279	296-4617
CMPC-E005	CMPC-E006	CMPC-E007	CMPC-E008
			
Caterpillar HARNESS ASSEMBLY, Engine Wire Harness	Caterpillar HARNESS ASSEMBLY, Engine Wire Harness	Caterpillar HARNESS ASSEMBLY-WIRING, Engine Wire Harness	Caterpillar Cylinder Line Wire Harness
324D 325D 326D 327D 328D 329D	330D 336D C9	330D 330D L 336D 336D L	330D 336D
198-2713/ 381-2499	235-8202	323-9140	419-0841
CMPC-E009	CMPC-E010	CMPC-E011	CMPC-E012
			
Caterpillar HARNESS ASSEMBLY, Wire Wiring Harness	Caterpillar Wire Harness ET14 Cable	Caterpillar HARNESS ASSEMBLY, Injector Wiring Harness	Caterpillar HARNESS ASSEMBLY-WIRING, Engine Wiring Harness
345C 345C L 345D 345D L		330D C7	324D C7 C9
219-7461	457-6114	215-3249	222-5917
CMPC-E013			
			
Caterpillar WIRING GROUP-ENGINE, Engine Wiring Harness			
322C 325C 325C L			
190-5038			

Caterpillar EXCAVATOR PARTS---Main valve

CMPC-F001	CMPC-F002	CMPC-F003	CMPC-F004
			
Caterpillar VALVE GROUP-RELIEF, Main Valve, Main Relief Valve	Caterpillar VALVE GROUP-RELIEF, Main Valve, Main Relief Valve	Caterpillar VALVE GROUP-RELIEF, Main Valve, Main Relief Valve	Caterpillar Control Valve Oil Suck Valve
320 320 L 320N 322 325 330	E320B 312C	E330L	200B E200B
6I-6899/ 107-7033	171-0030		2111B-40184
CMPC-F005	CMPC-F006		
			
Caterpillar Main Valve, Main Relief Valve, Overflow Valve	Caterpillar Main Valve, Main Relief Valve		
E320	E320		

Caterpillar EXCAVATOR PARTS----Solenoid valve

CMPC-G001	CMPC-G002	CMPC-G003	CMPC-G004
			
Caterpillar VALVE GROUP-SOLENOID, Rotating Rotary Solenoid Valve 12V	Caterpillar VALVE GROUP-SOLENOID, Rotating Rotary Solenoid Valve 12V	Caterpillar VALVE GROUP-SOLENOID, Rotating Rotary Solenoid Valve 12V	Caterpillar VALVE GROUP-SOLENOID, Rotating Rotary Solenoid Valve 12V
320 E320B E320C	320 E320B E320C	320D E320B E320C	320 E320B E320C
121-1491	121-1490	111-9916	116-3526
CMPC-G005	CMPC-G006	CMPC-G007	CMPC-G008
			
Caterpillar VALVE GROUP-SOLENOID, Hydraulic Pump Solenoid Valve 12V E320B E325C E320C E320D E325D E330D	Caterpillar VALVE GROUP-SOLENOID, Oil Pump Solenoid Valve	Caterpillar VALVE AS-SOLENOID, Main Pump Solenoid Valve	Caterpillar Hydraulic Pump Solenoid Valve
111-9916/ KDRDE5K-3140E30	3126 3126B C15 122-5053	330 350 375 139-3990/ 5I-8368	E3230 41-5674
CMPC-G009	CMPC-G010	CMPC-G011	CMPC-G012
			
Caterpillar Hydraulic Pump Solenoid Valve	Caterpillar Fuel Shutdown Solenoid, Stop Solenoid Valve, Shutoff Solenoid	Caterpillar Fuel Shutdown Solenoid, Stop Solenoid Valve, Shutoff Solenoid	Caterpillar Fuel Shutdown Solenoid, Stop Solenoid Valve, Shutoff Solenoid
E200B	330 330 L 330B L 350 24V/12V	E325 24V/12V	24V/12V
086-1879	155-4654/ 155-4653 3E-9785	155-4652/ 8C-3663	155-4651
CMPC-G013	CMPC-G014		
			
Caterpillar Fuel Shutdown Solenoid, Stop Solenoid Valve, Shutoff Solenoid	Caterpillar Fuel Shutdown Solenoid, Stop Solenoid Valve, Shutoff Solenoid		
E330 E330B E330C 24V/12V	24V 12V		
125-5771/ 125-5772 125-5773/ 125-5774	110-6465/ 110-6466 6T-4122/ 6T-4121		

Caterpillar EXCAVATOR PARTS----Relay

CMPC-H001	CMPC-H002	CMPC-H003	CMPC-H004
			
MITSUBISHI Electric Relay 24V	MITSUBISHI Electric Relay 24V	Caterpillar TIMER AS, Time Relay	Caterpillar RELAY 24V
Kato CAT320C E320C	CAT320C 312C 330C E320C	311B 312B 312B L 320B E320B 325BL	320 320B 320C 320D
ME077148/ R8T30173	ME049233/ R8T30171	111-4870	111-4871X
CMPC-H005	CMPC-H006		
			
Caterpillar RELAY 24V	Caterpillar METER GROUP-SERVICE, Time Relay		
E320C E320D 320C 320D	320D		
161-3128X	285-9075		

Caterpillar EXCAVATOR PARTS---Injector and turbocharger

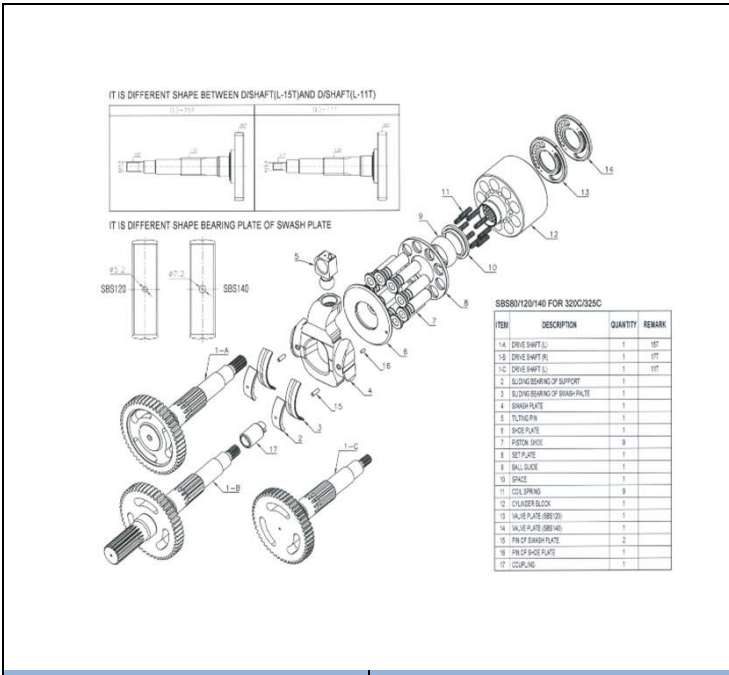
CMPC-I001	CMPC-I002	CMPC-I003	CMPC-I004
			
Caterpillar INJECTOR GROUP-FUEL, Injectors ASSY	Caterpillar INJECTOR GROUP-FUEL, Injectors ASSY	Caterpillar FUEL INJECTOR GROUP, Injectors ASSY	Caterpillar FUEL INJECTOR GROUP, Injectors ASSY
CAT 320D C6 C6.4	311D 312D 314D 320D C4.2 C6 C6.4		C402
326-4700	326-4756	127-8216	
CMPC-I005	CMPC-I006	CMPC-I007	CMPC-I008
			
Caterpillar FUEL INJECTOR GROUP, Injectors ASSY	Caterpillar Diesel Engine Fuel Injector	Caterpillar FUEL INJECTOR GROUP, Injectors ASSY	Caterpillar FUEL INJECTOR GROUP, Injectors ASSY
3114 3116	3114 3116 3126	3116 3114	330C 330D C9
127-8207/ 127-8213 127-8218	387-9427/ 235-2888	127-8211/ 127-8228 127-8230/ 127-8222	236-0962/ 254-4339 387-9434
CMPC-I009	CMPC-I010		
			
Caterpillar Injector Sleeve	Caterpillar TURBOCHARGER GROUP,		
C-9	320B 320D		
227-1200	5I-8018/ 287-0049		

Caterpillar EXCAVATOR PARTS----Seal kits

CMPC-J001	CMPC-J002	CMPC-J003	CMPC-J004
Caterpillar Arm Cylinder Seal Kit	Caterpillar Arm Cylinder Seal Kit	Caterpillar Arm Cylinder Seal Kit	Caterpillar Arm Cylinder Seal Kit
320B	320C	320D	E330B
CMPC-J005	CMPC-J006	CMPC-J007	CMPC-J008
Caterpillar Boom Cylinder Seal Kit	Caterpillar Travel Motor Seal Kit	Caterpillar Swivel Joint Seal Kit	Caterpillar Arm Cylinder Seal Kit
E70B	E70B	E120B	E120B
CMPC-J009	CMPC-J010	CMPC-J011	CMPC-J012
Caterpillar Boom Cylinder Seal Kit	Caterpillar Bucket Cylinder Seal Kit	Caterpillar Main Pump Seal Kit	Caterpillar Track Adjuster Seal Kit
E120B	E120B	E120B	E120B
CMPC-J013	CMPC-J014	CMPC-J015	CMPC-J016
Caterpillar Arm Cylinder Seal Kit	Caterpillar Boom Cylinder Seal Kit	Caterpillar Bucket Cylinder Seal Kit	Caterpillar Control Valve Seal Kit
E312	E312	E312	E312
CMPC-J017	CMPC-J018		
Caterpillar Main Pump Seal Kit	Caterpillar Track Adjuster Seal Kit		
E312	E312		

Caterpillar EXCAVATOR PARTS----Hydraulic pump rebuild parts

CMPC-K001



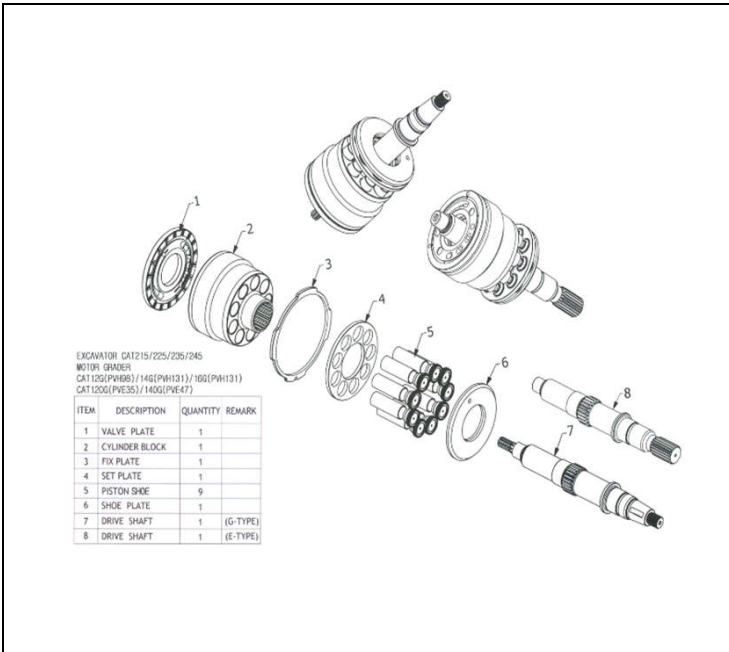
ITEM	DESCRIPTION	QUANTITY	REMARK
14	DRIVE SHAFT (L)	1	102
15	DRIVE SHAFT (R)	1	111
12	DRIVE SHAFT (S)	1	111
2	SLIDING BEARING OF SUPPORT	1	
3	SLIDING BEARING OF SWASH PLATE	1	
4	SWASH PLATE	1	
5	TILING PIN	1	
6	SHOE PLATE	1	
7	PISTON SHOE	9	
8	SET PLATE	1	
9	BALL GUIDE	1	
10	SPRING	1	
11	COIL SPRING	9	
12	CYLINDER BLOCK	1	
13	VALVE PLATE (SBS120)	1	
14	VALVE PLATE (SBS140)	1	
15	PAIR OF SWASH PLATE	2	
16	PAIR OF SET PLATE	2	
17	COUPLING	1	



SBS80 SBS120 SBS140
drive shaft, swash plate, tiling pin, shoe plate, piston shoe, set plate, ball guide,

320C 325C E311C 311D E312C 312D
cylinder block, valve plate, pin of swash plate, pin of shoe plate, coupling

CMPC-K002



ITEM	DESCRIPTION	QUANTITY	REMARK
1	VALVE PLATE	1	
2	CYLINDER BLOCK	1	
3	FIX PLATE	1	
4	SET PLATE	1	
5	PISTON SHOE	9	
6	SHOE PLATE	1	
7	DRIVE SHAFT	1	(G-TYPE)
8	DRIVE SHAFT	1	(E-TYPE)



CAT12G(PVH98)&14G(PVH131)&16G(PVH131)
CAT120G(PVE35)&140G(PVE47)
valve plate, cylinder block, fix plate, set plate, piston shoe, shoe plate

CAT 215 225 235 245
drive plate(G-type), drive shaft(E-type)