

14-0122-99-06  
fischer UX 8x50  
35x

14-0122-99-07  
fischer 5,0x60 CK RVS A2  
35x

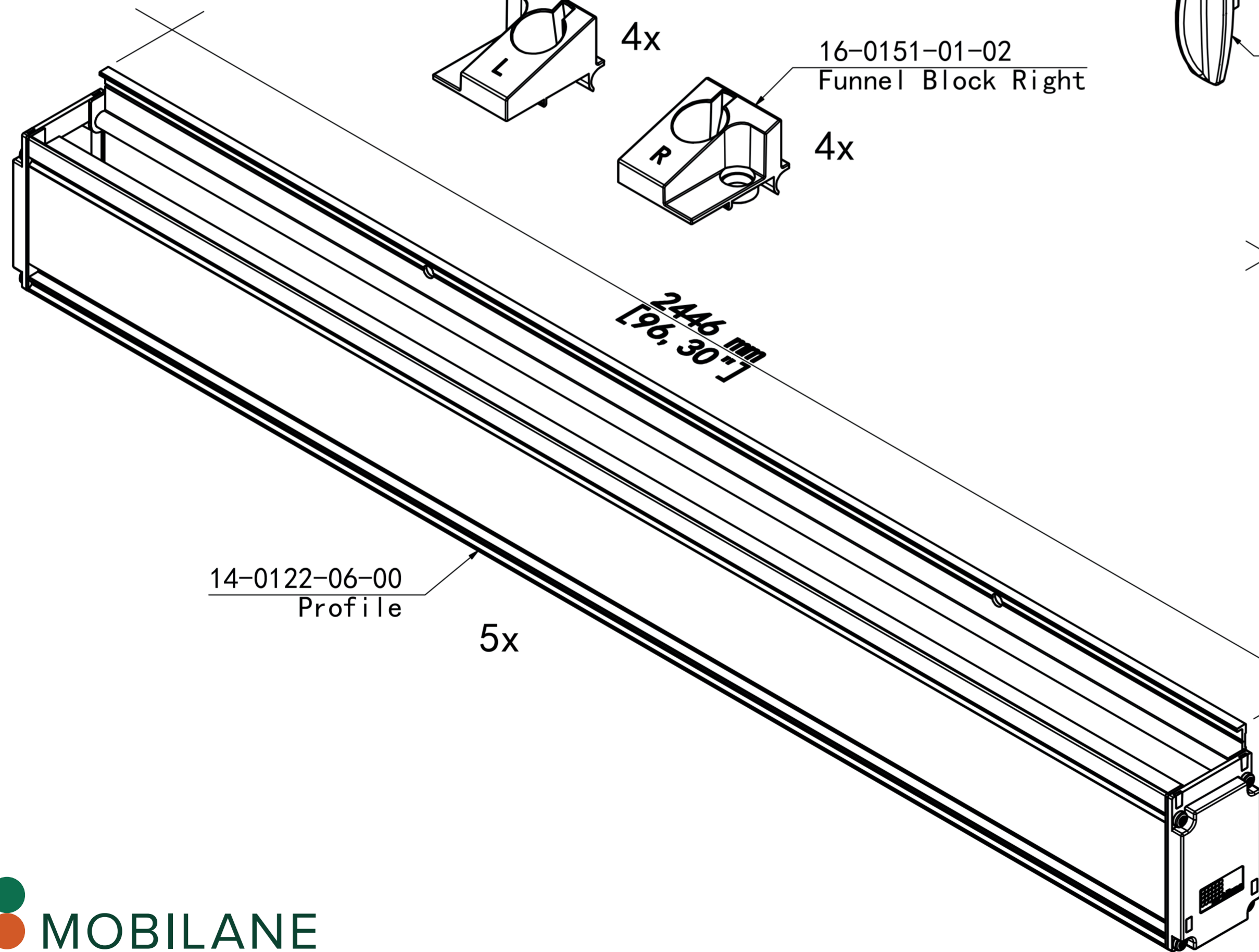
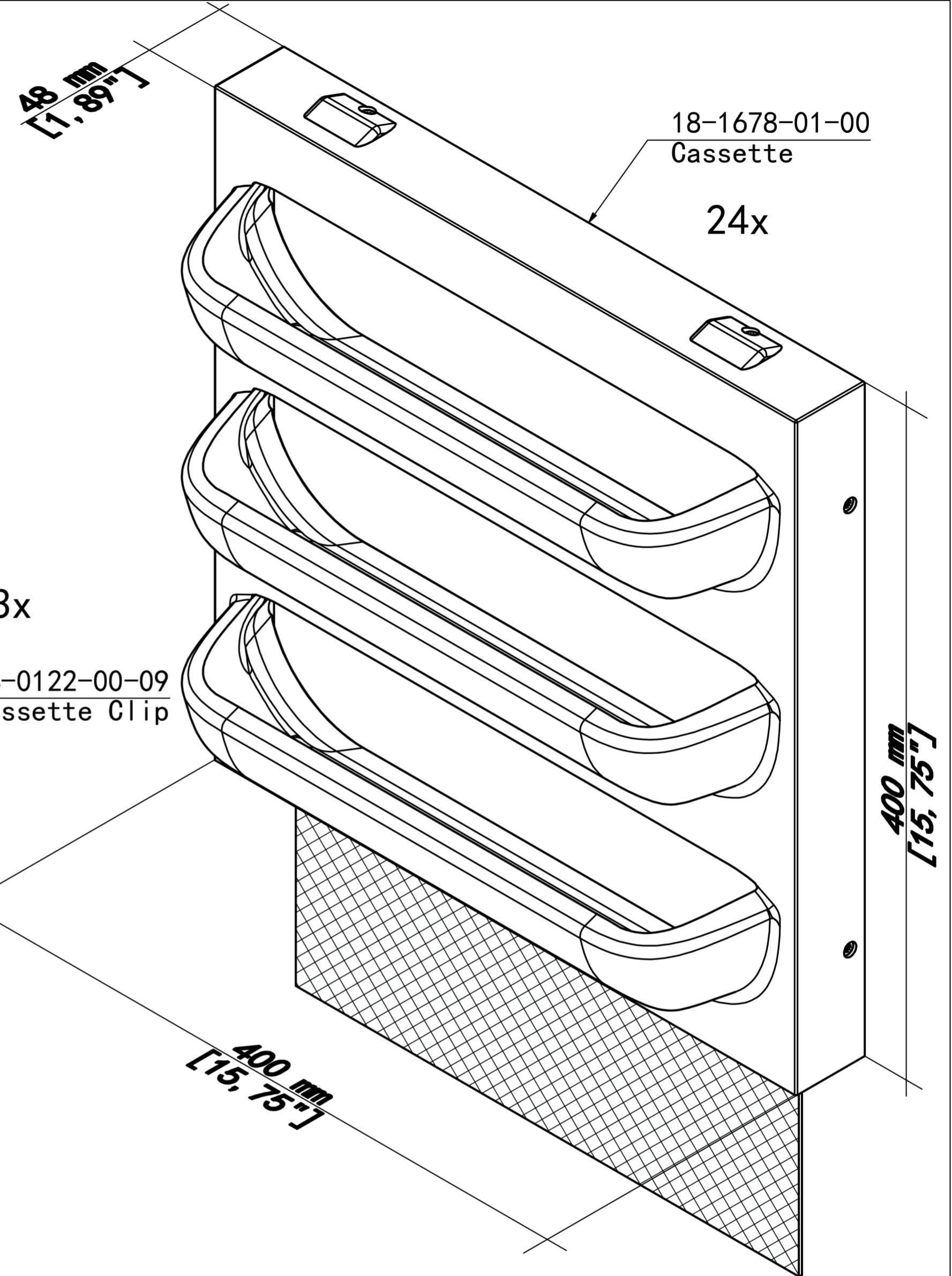
15-0089-00-01  
Funnel  
1x

16-0151-01-01  
Funnel Block Left  
4x

16-0151-01-02  
Funnel Block Right  
4x

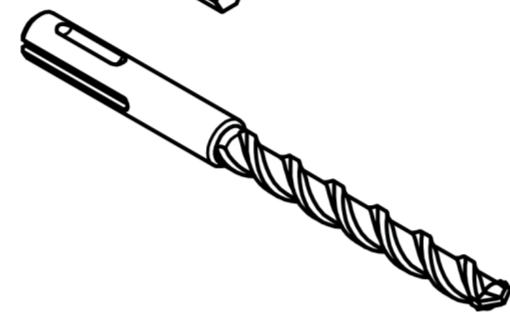
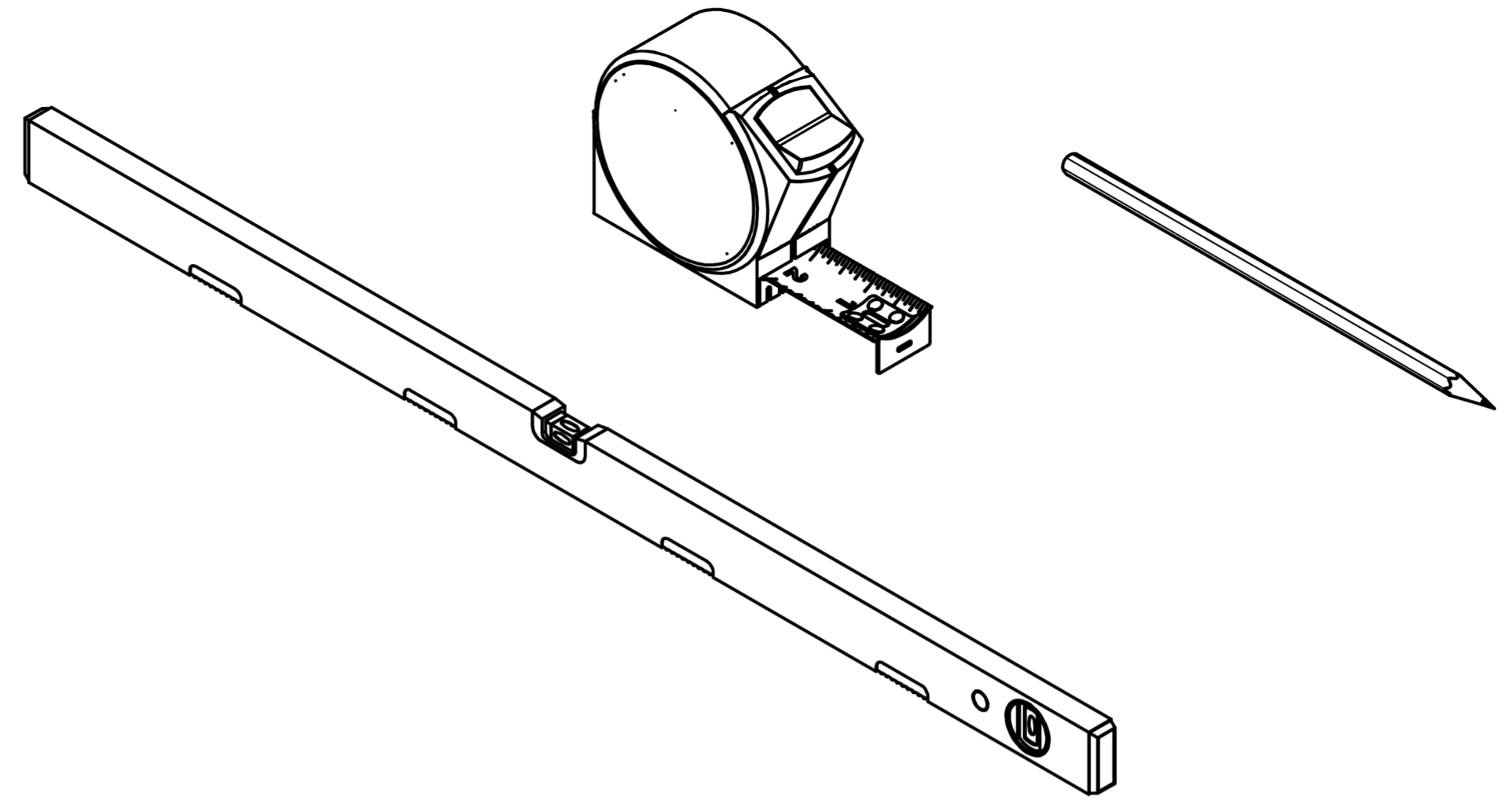
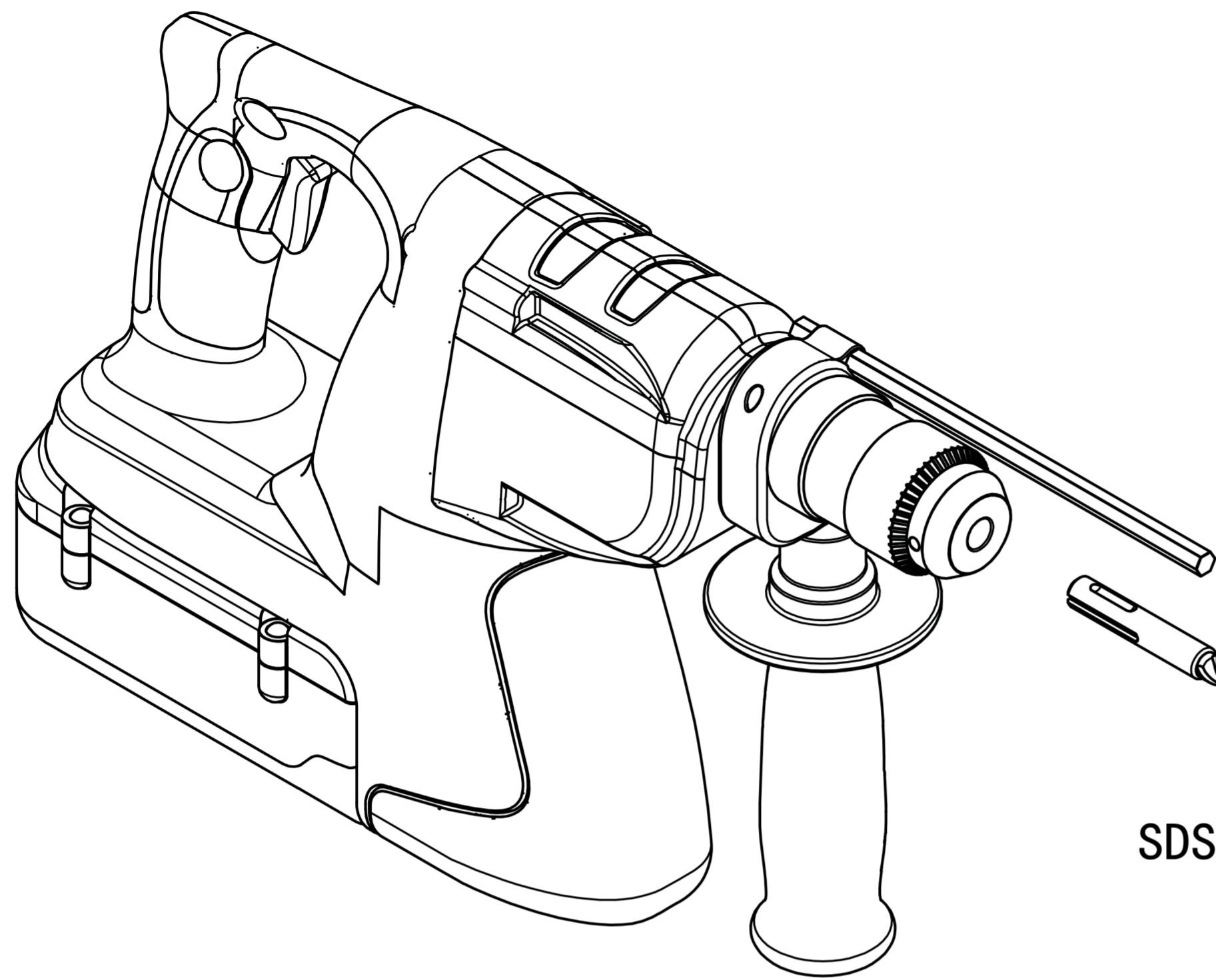
53x

14-0122-00-09  
Cassette Clip

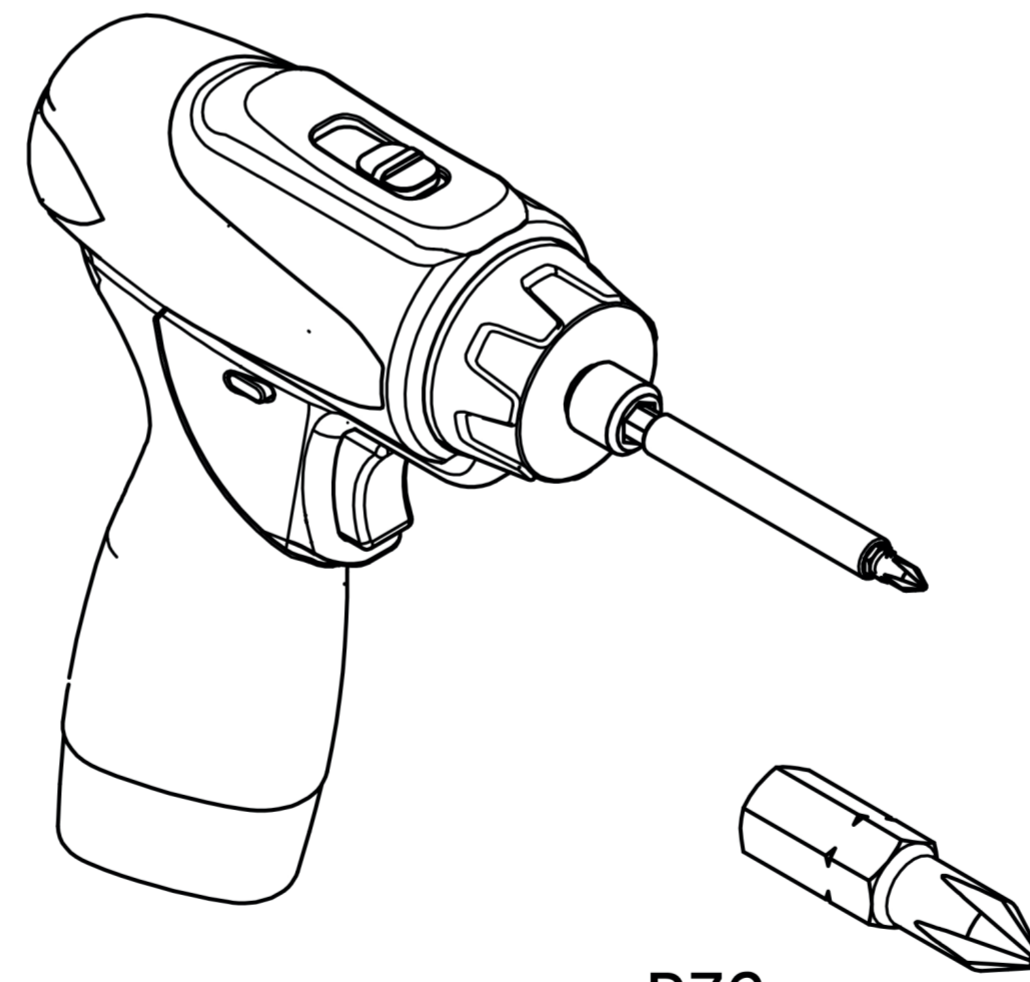
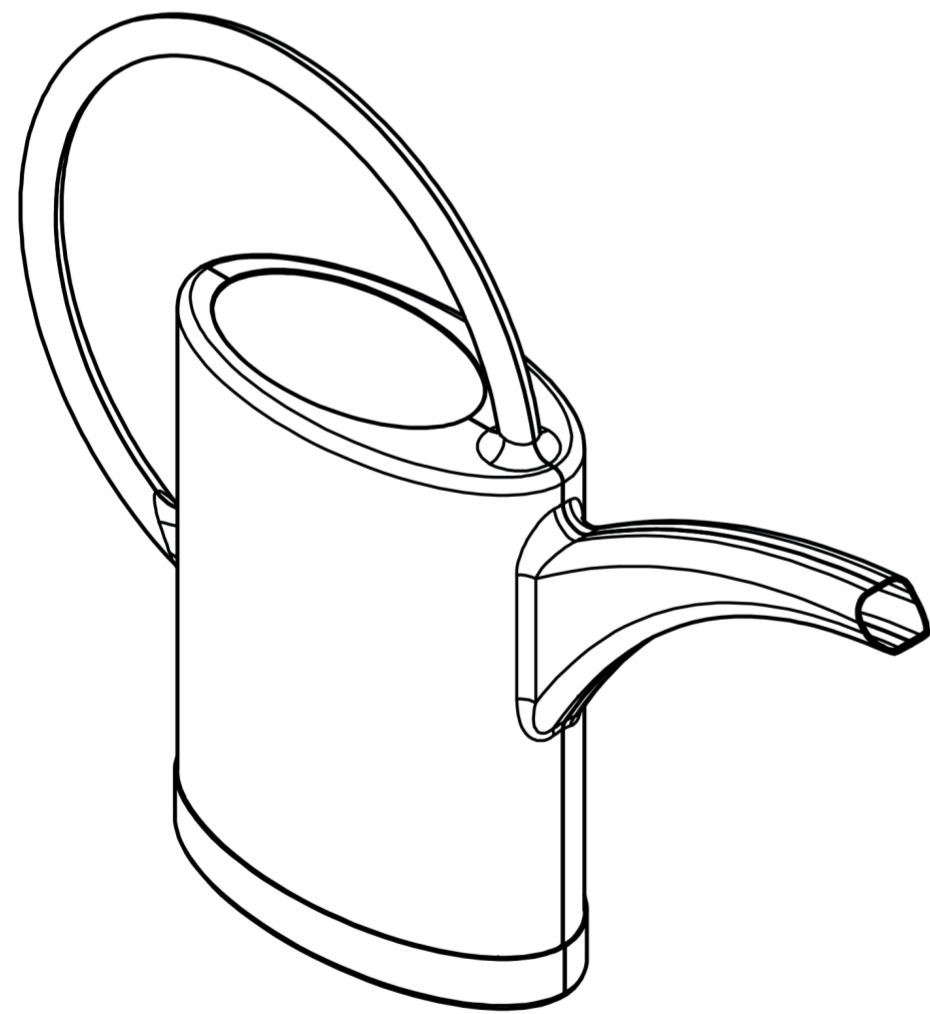


14-0122-00-07  
Endcap Transparent  
1x

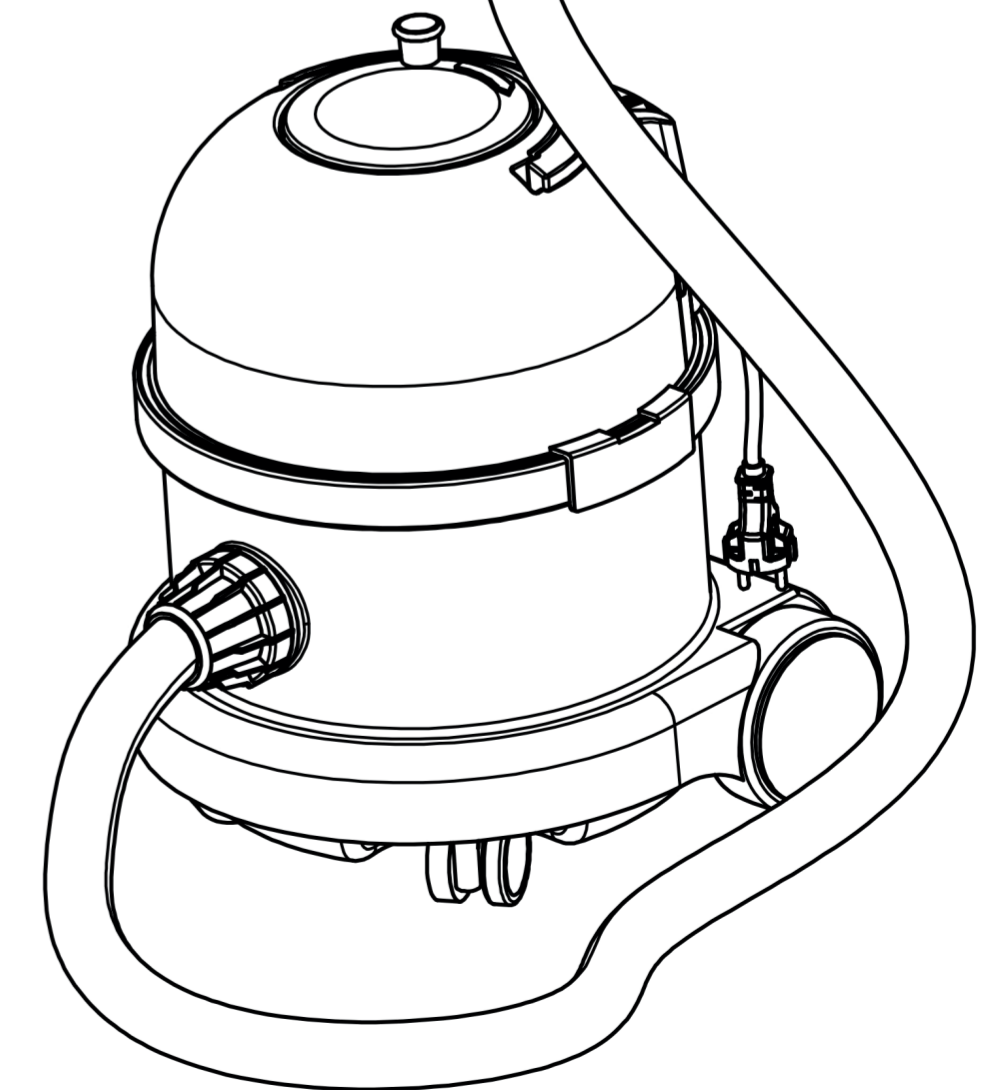
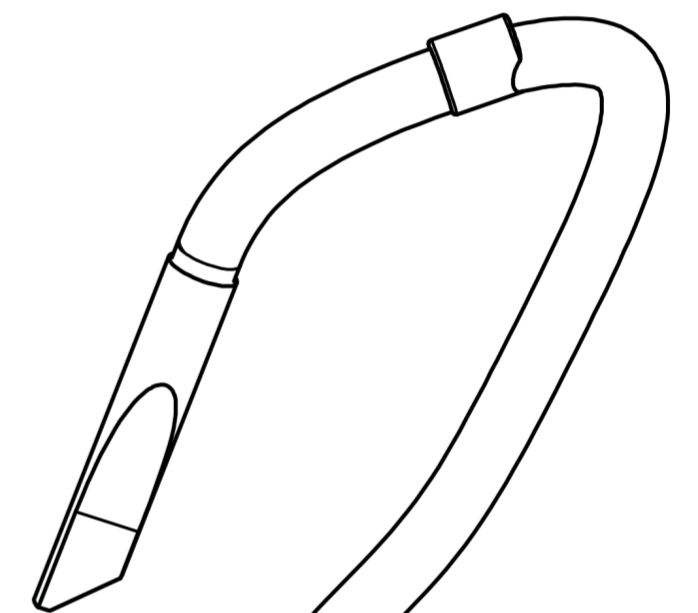
14-0122-99-05  
DIN-7981/A2 3, 9x19 T15  
4x



SDS 8 mm [5/16"]

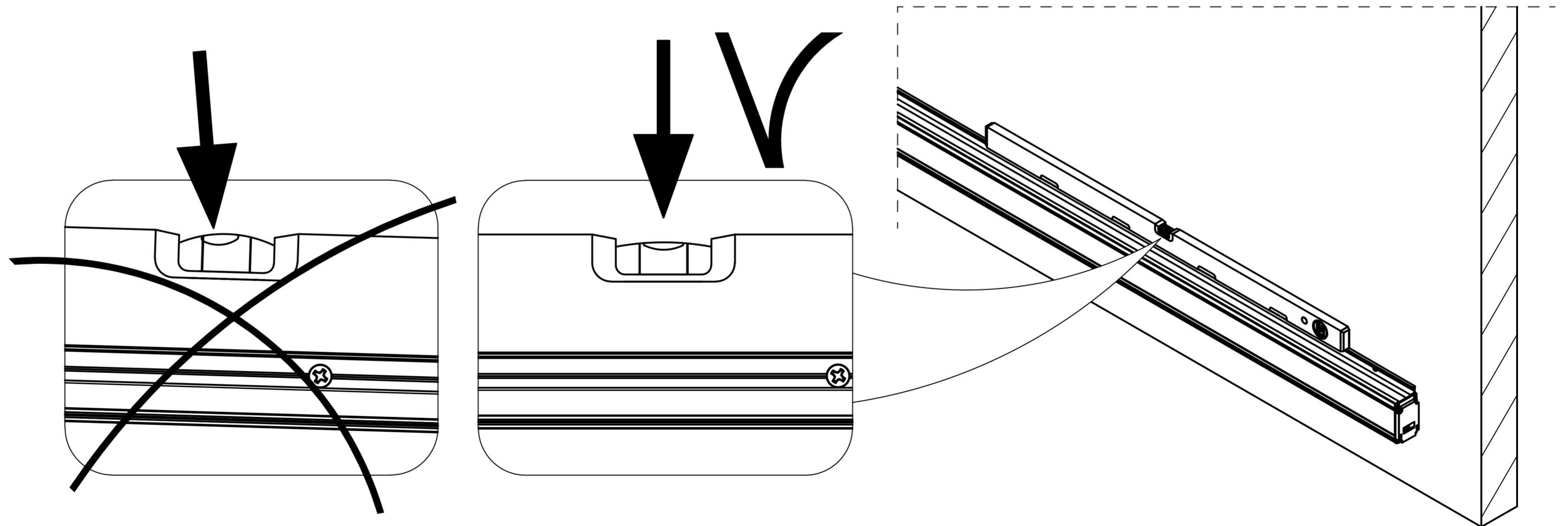
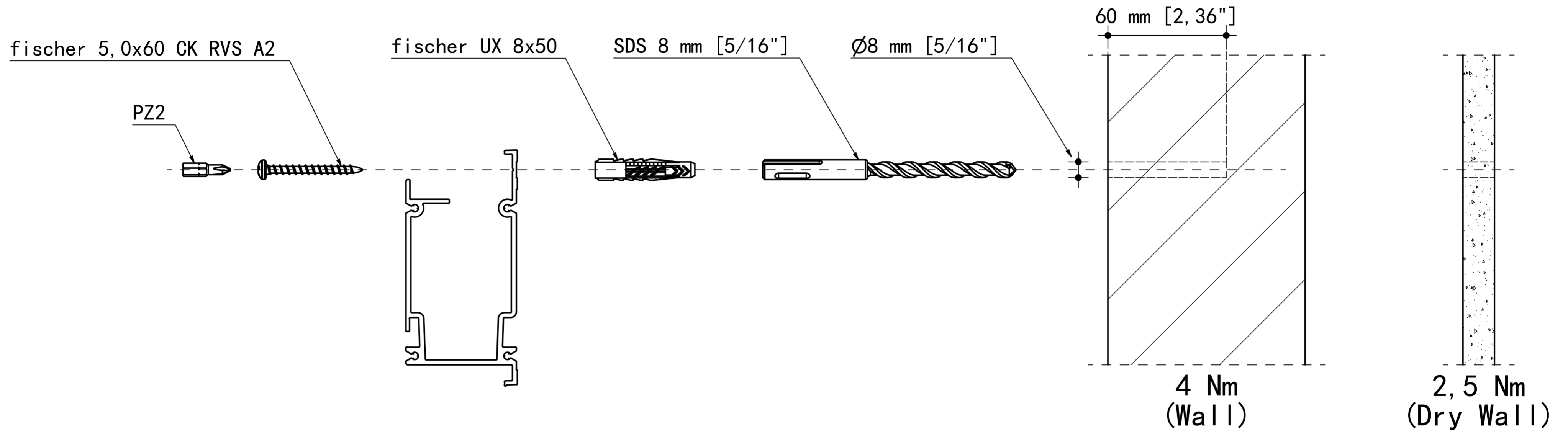


PZ2



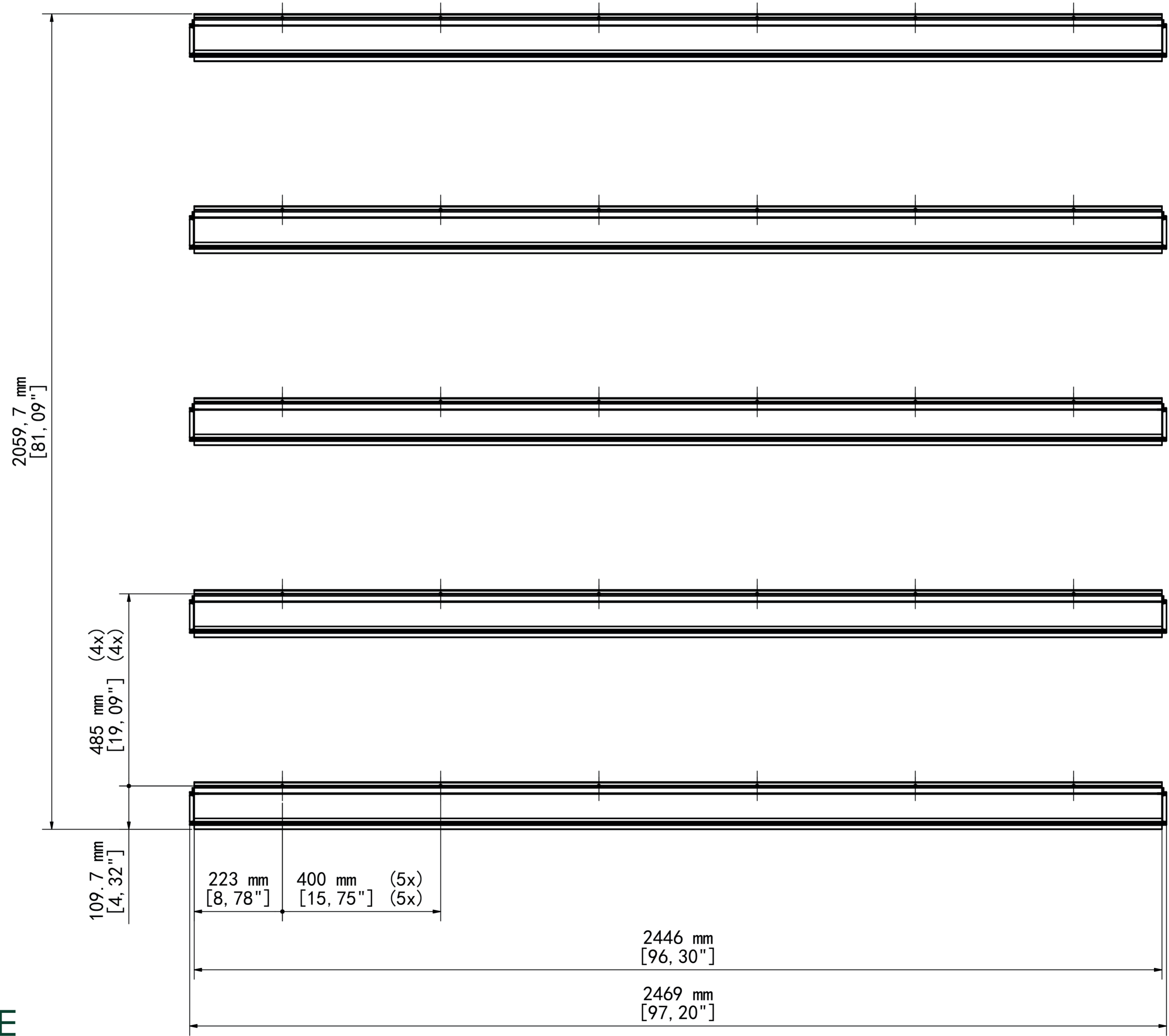
# 1A

## USE DRILL PATTERN (1B)

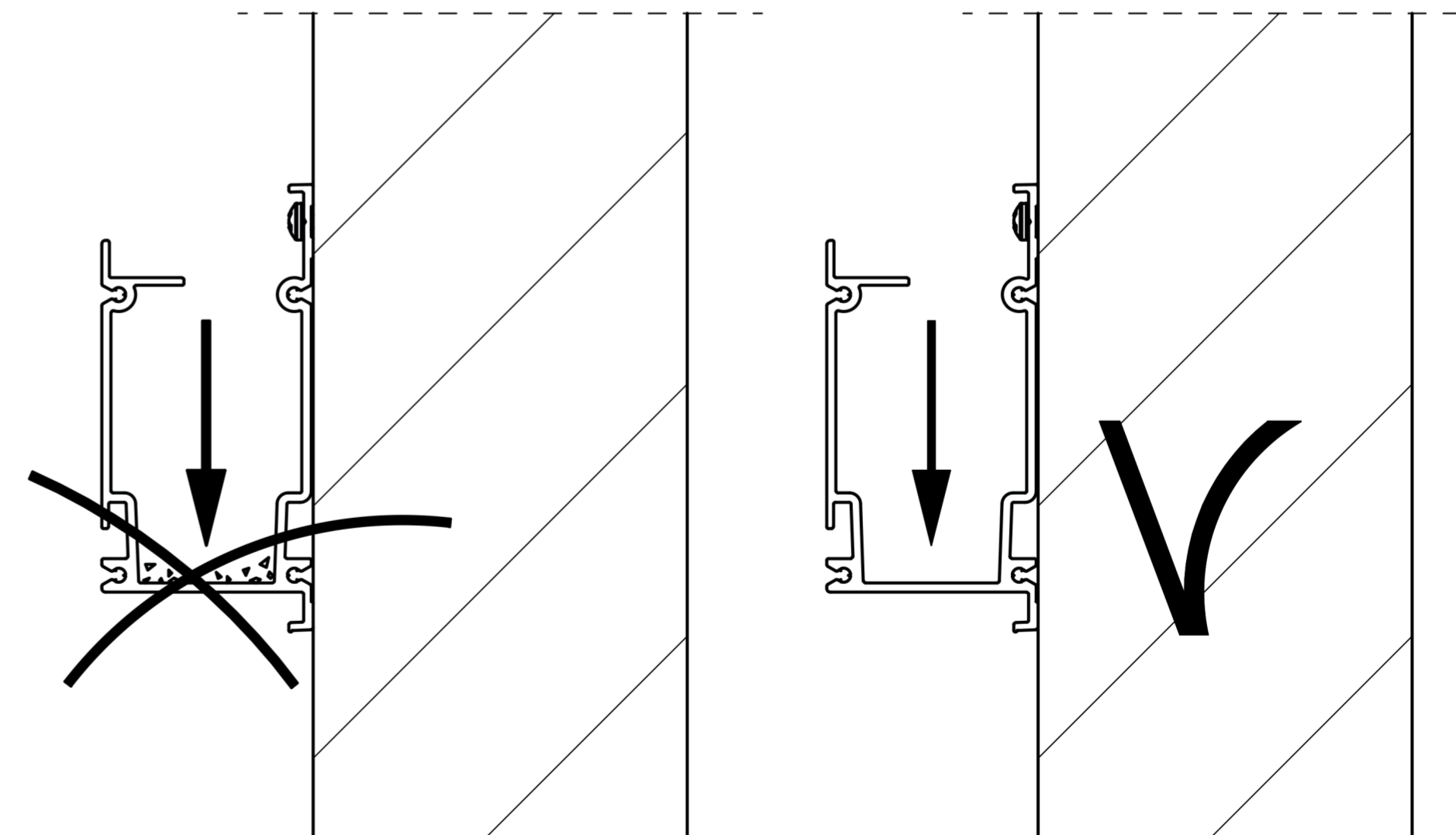
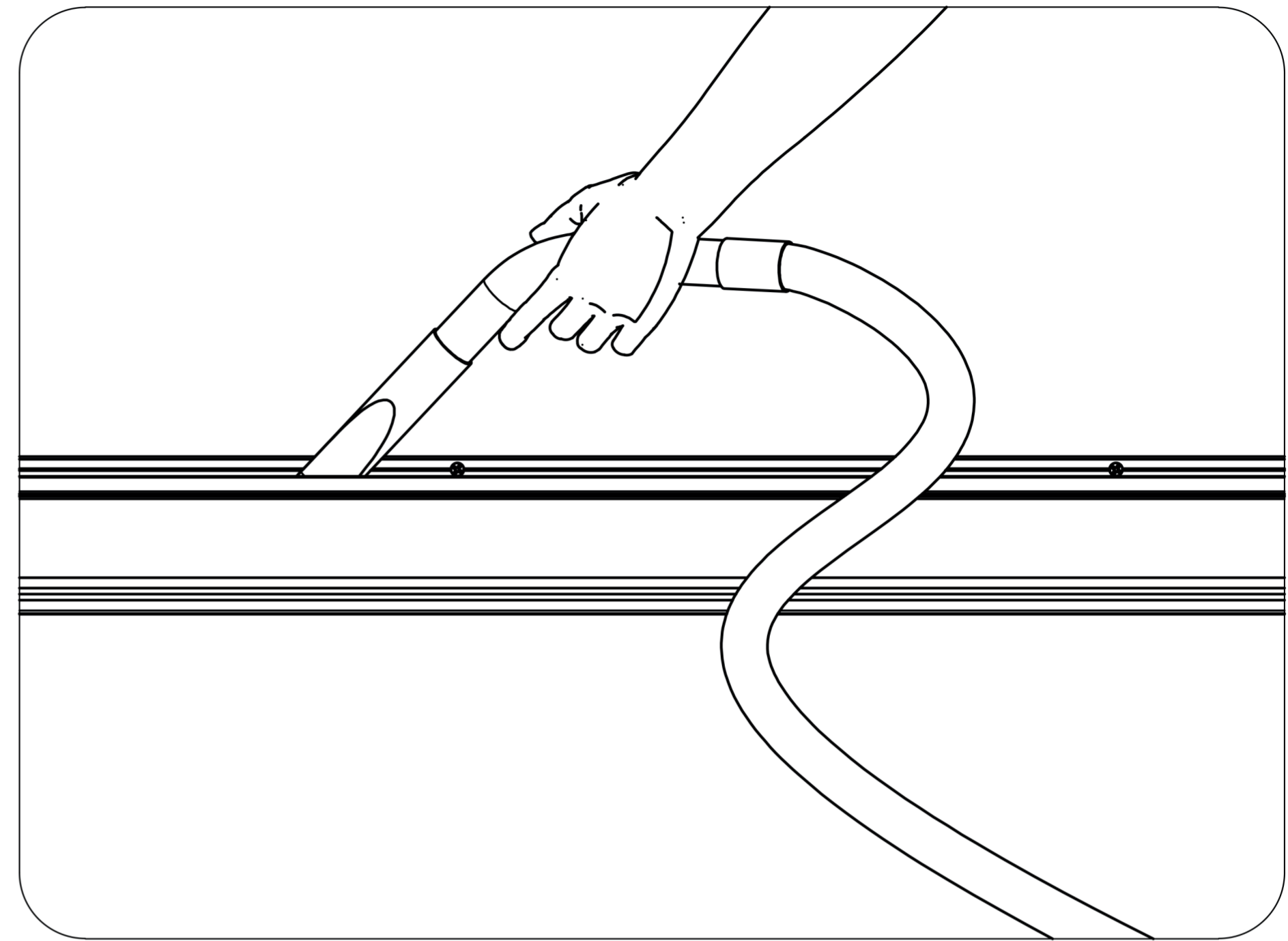
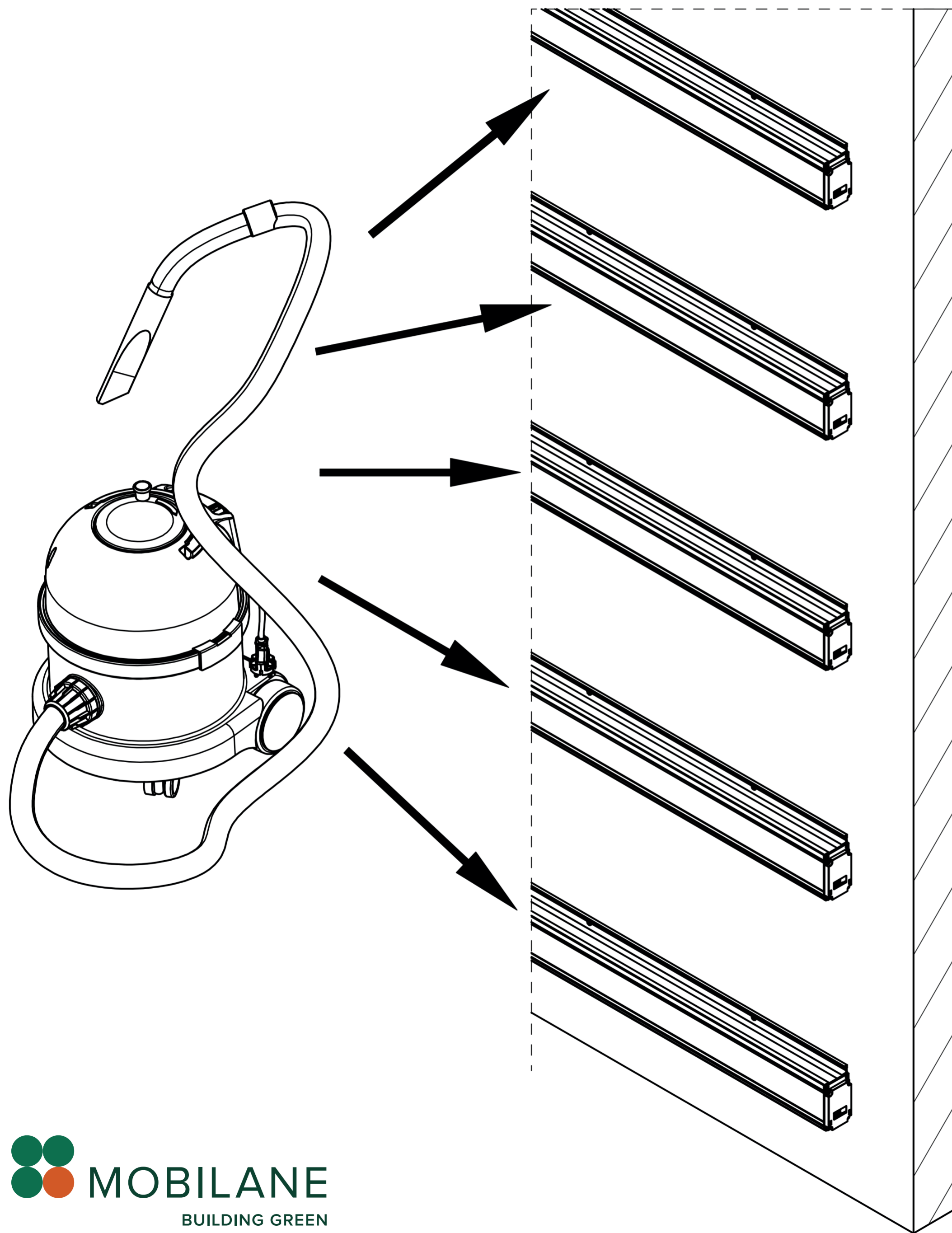


# 1B

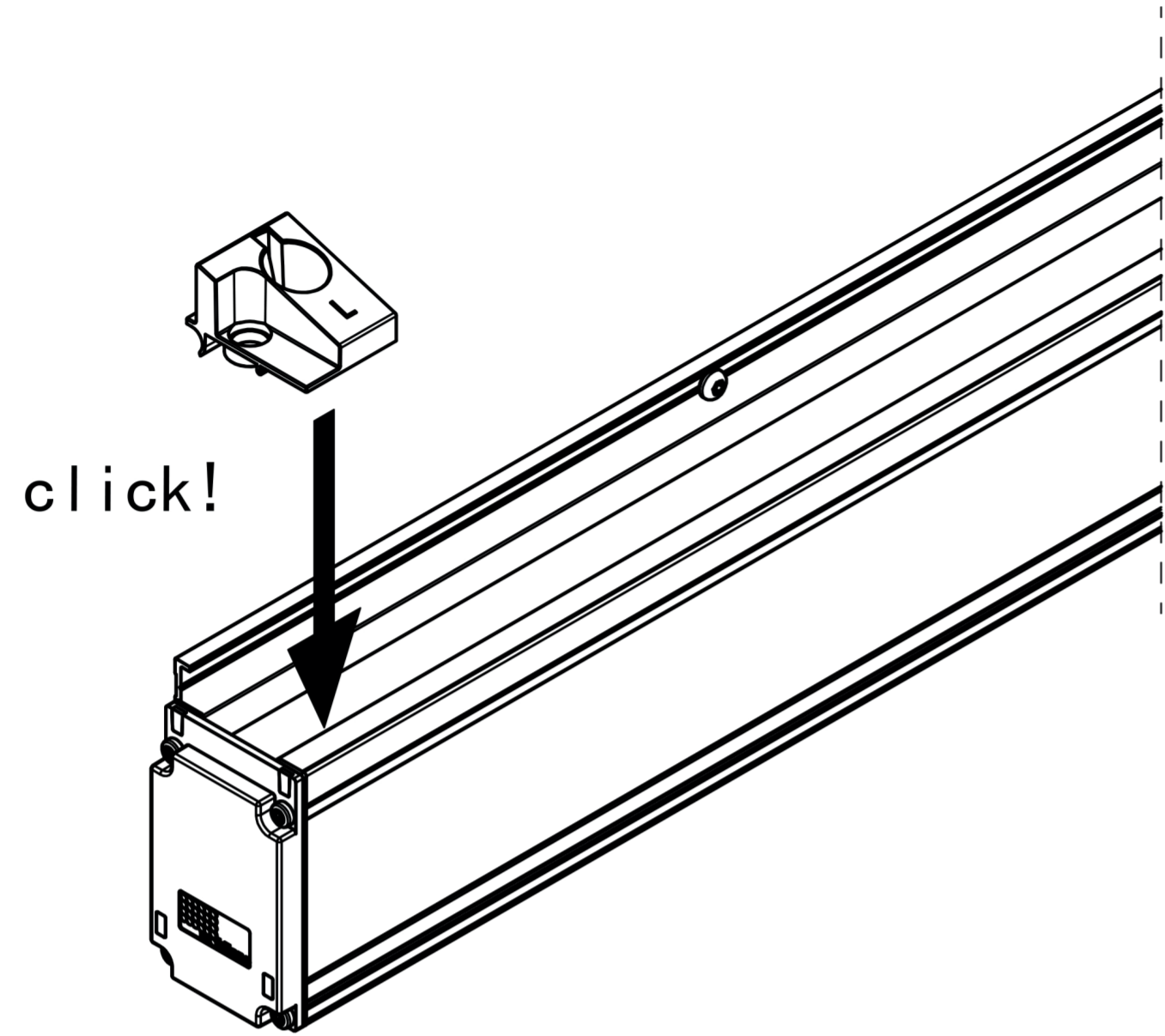
## DRILL PATTERN



2



# 3A

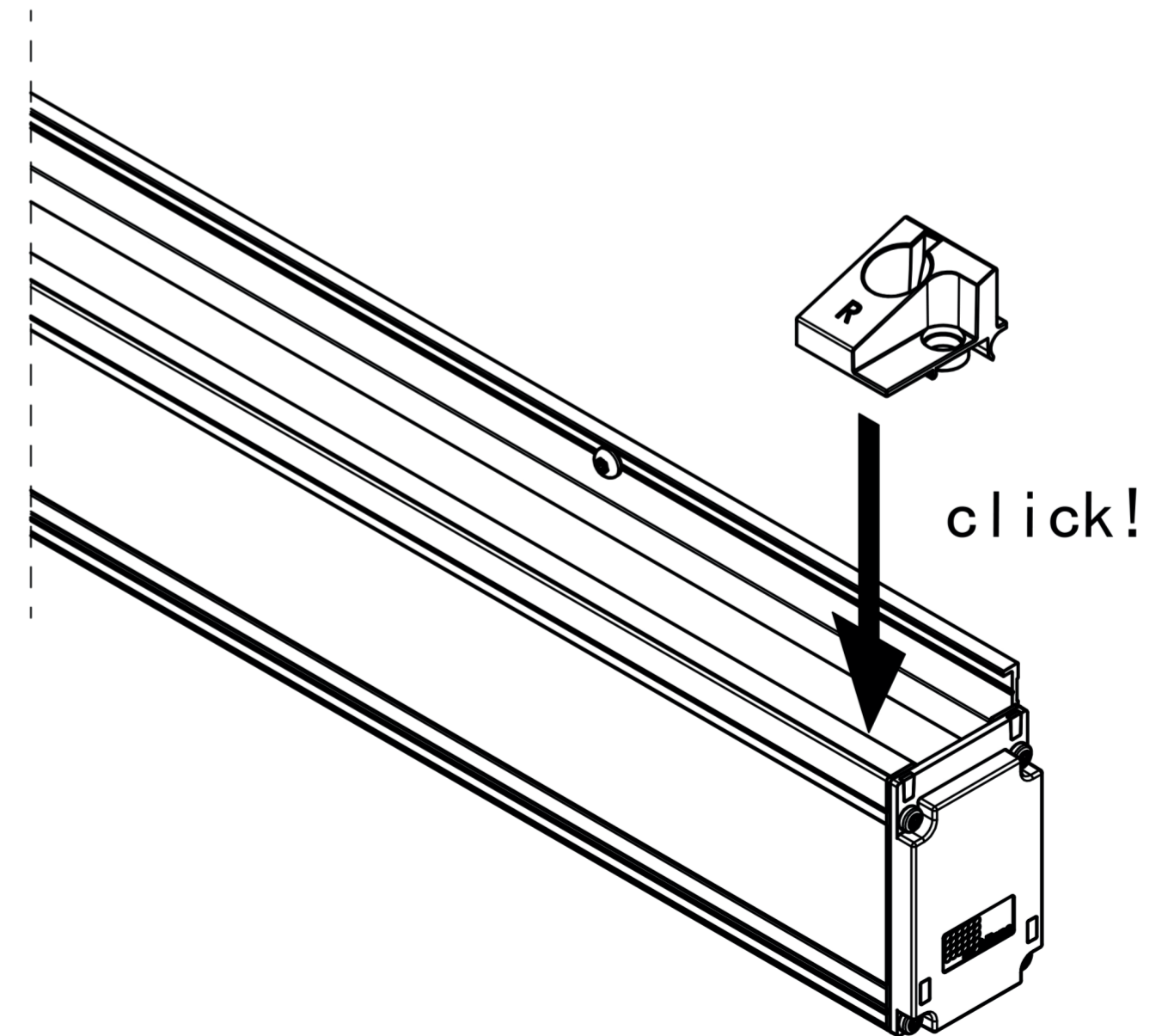
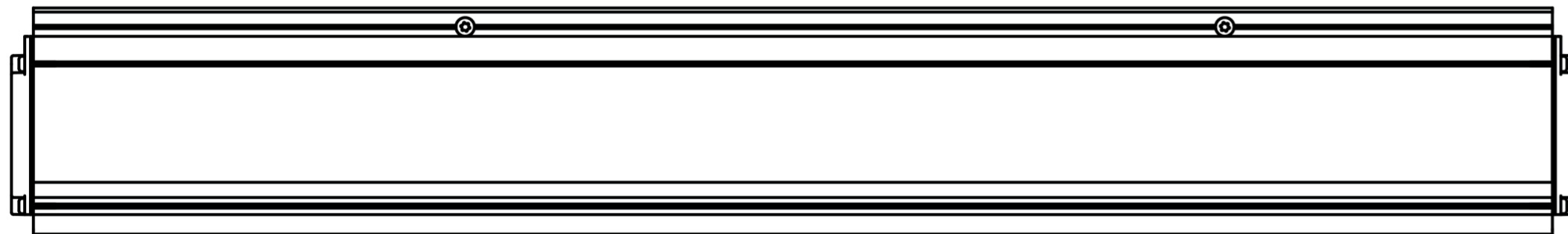
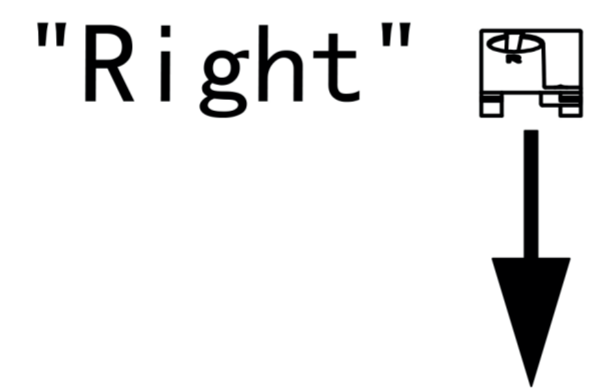


# CHOOSE

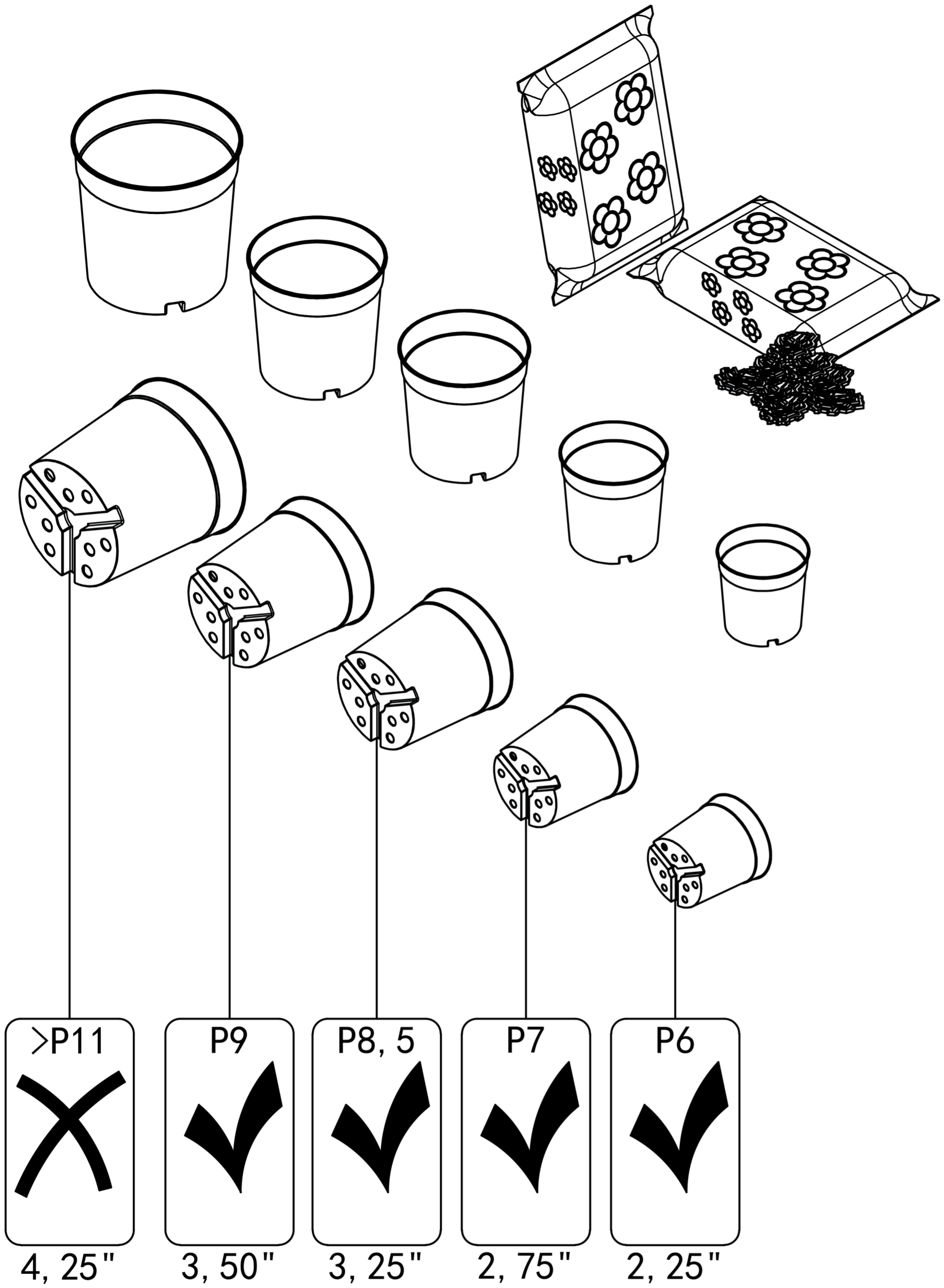
3A: "LEFT" OR 3B: "RIGHT"



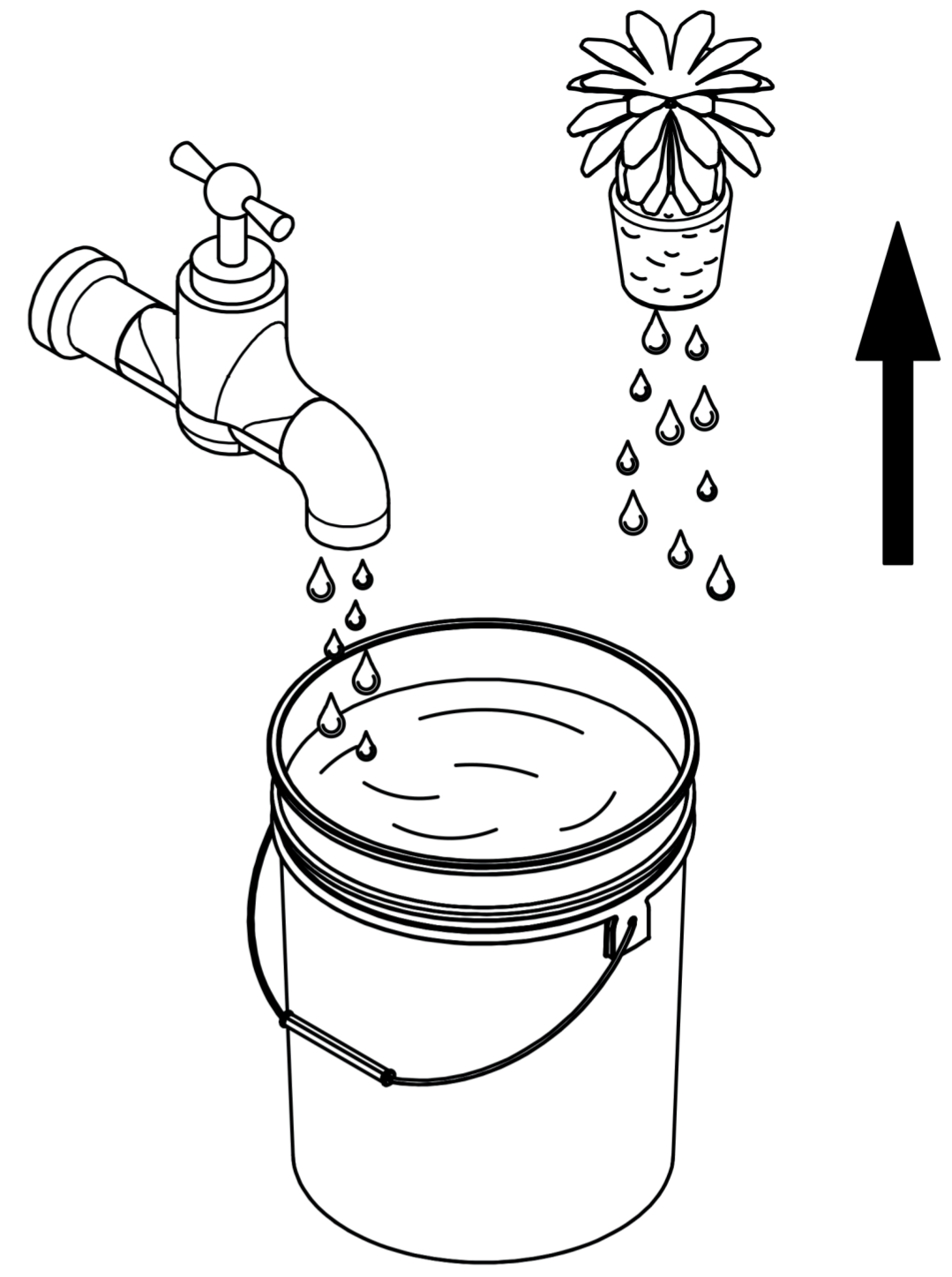
# 3B



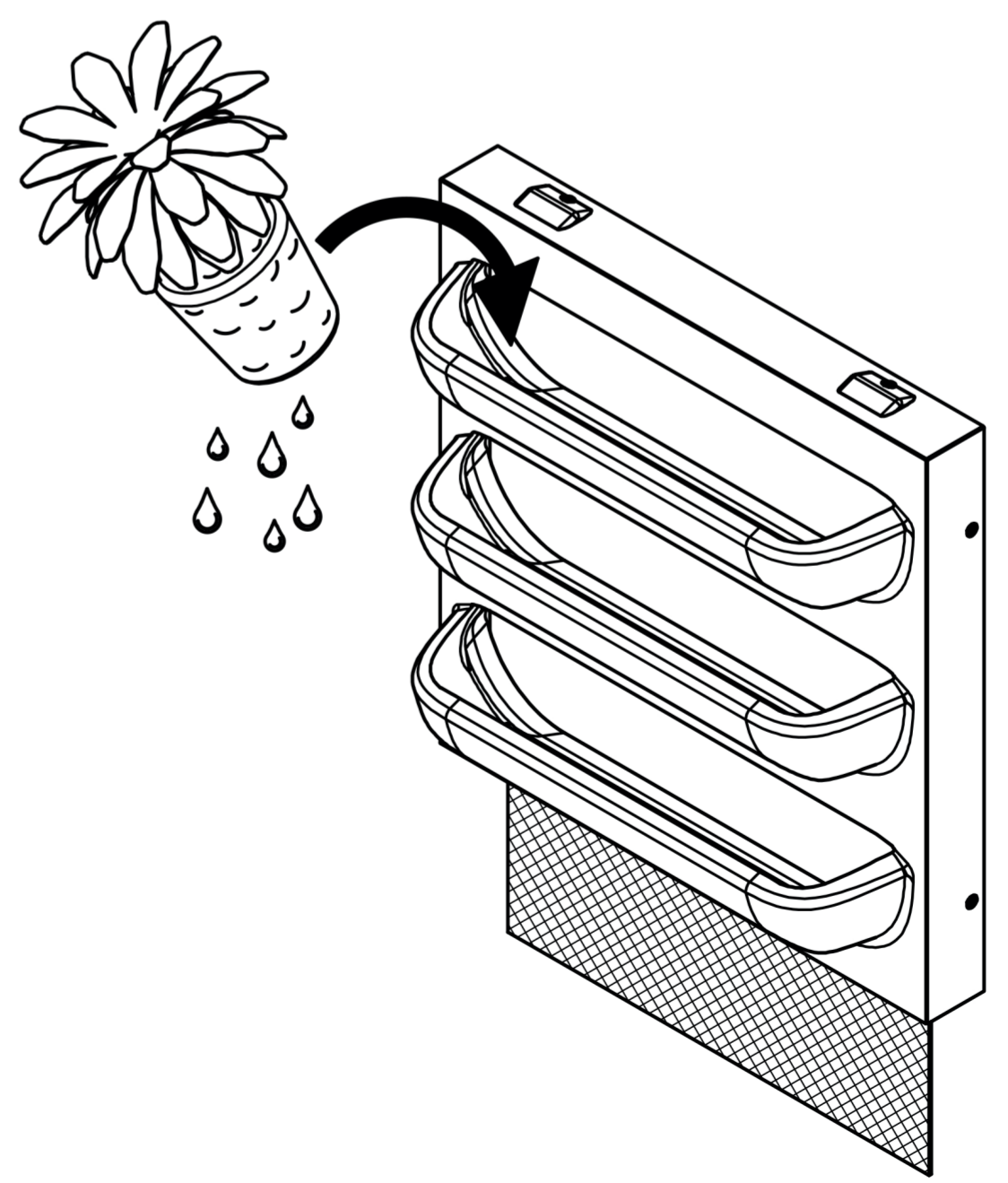
# 4A



# 4B

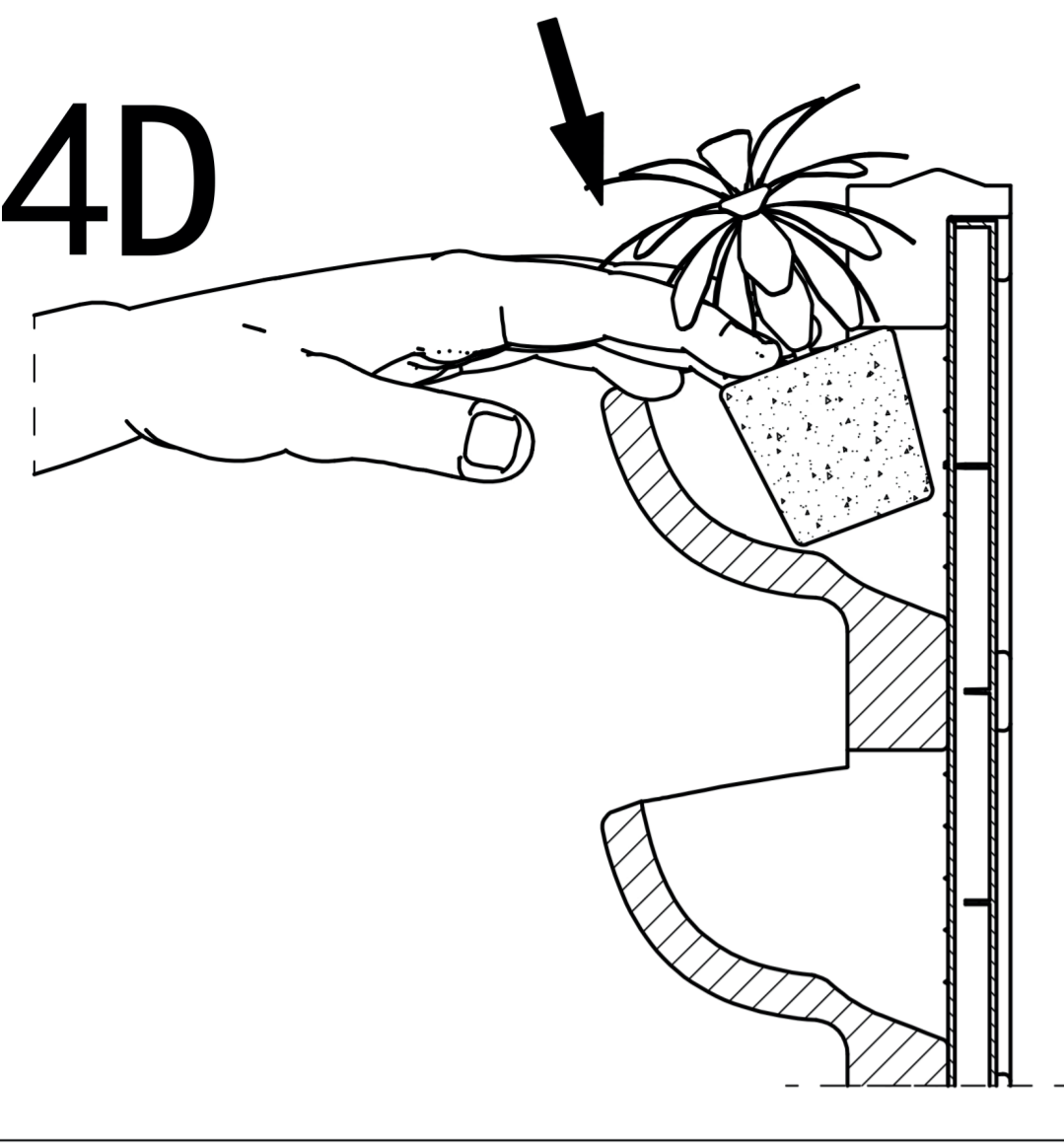


# 4C

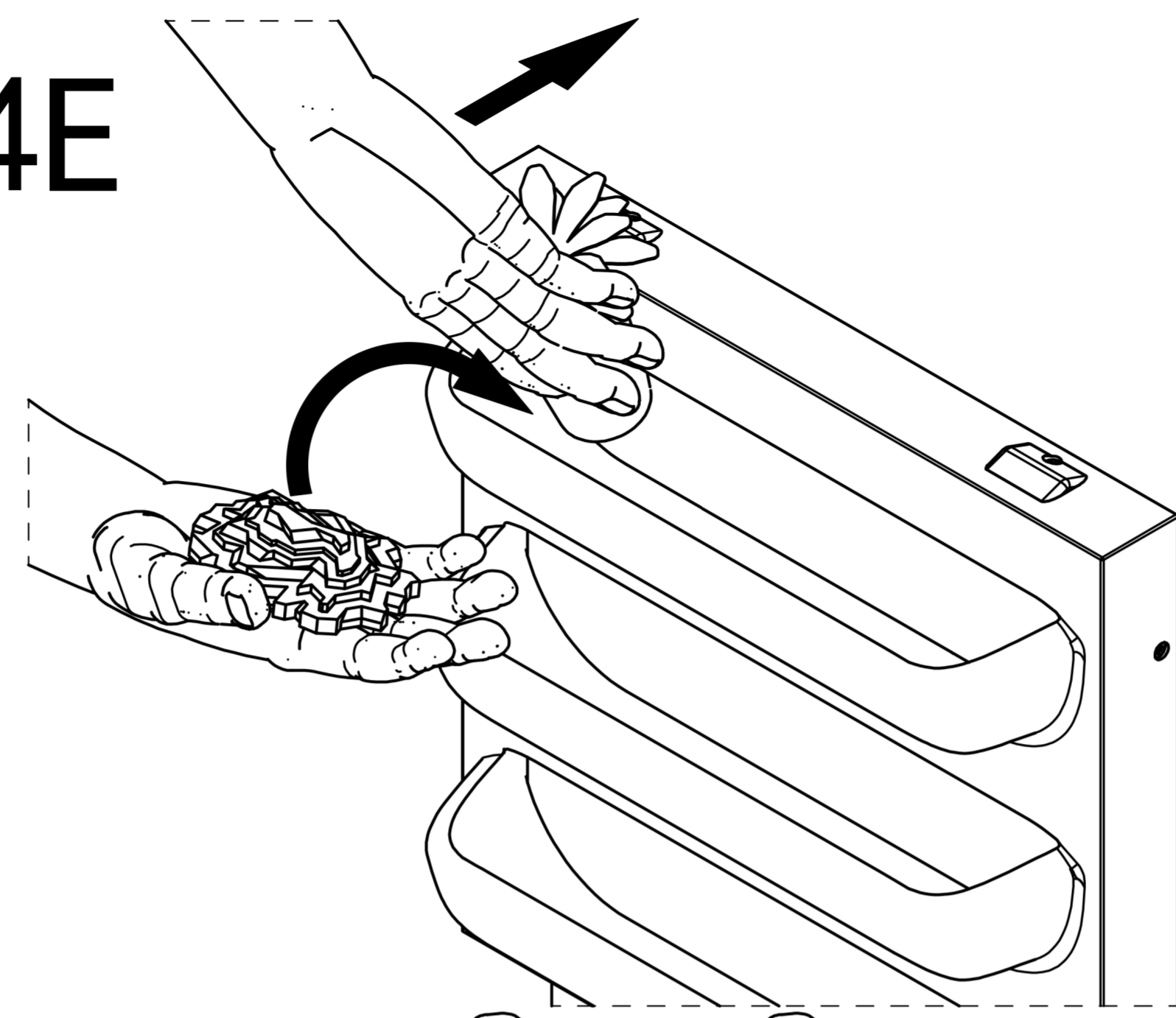




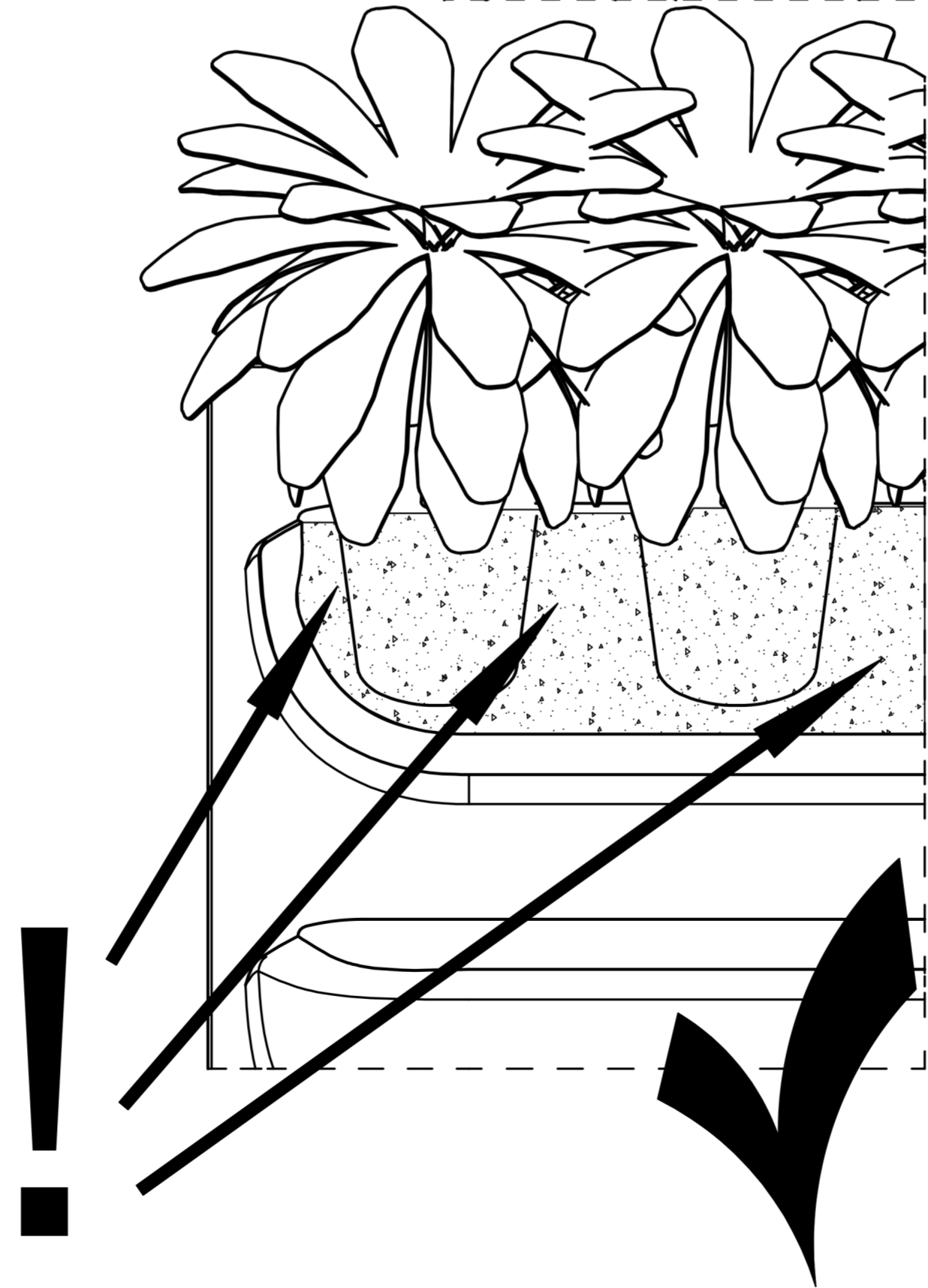
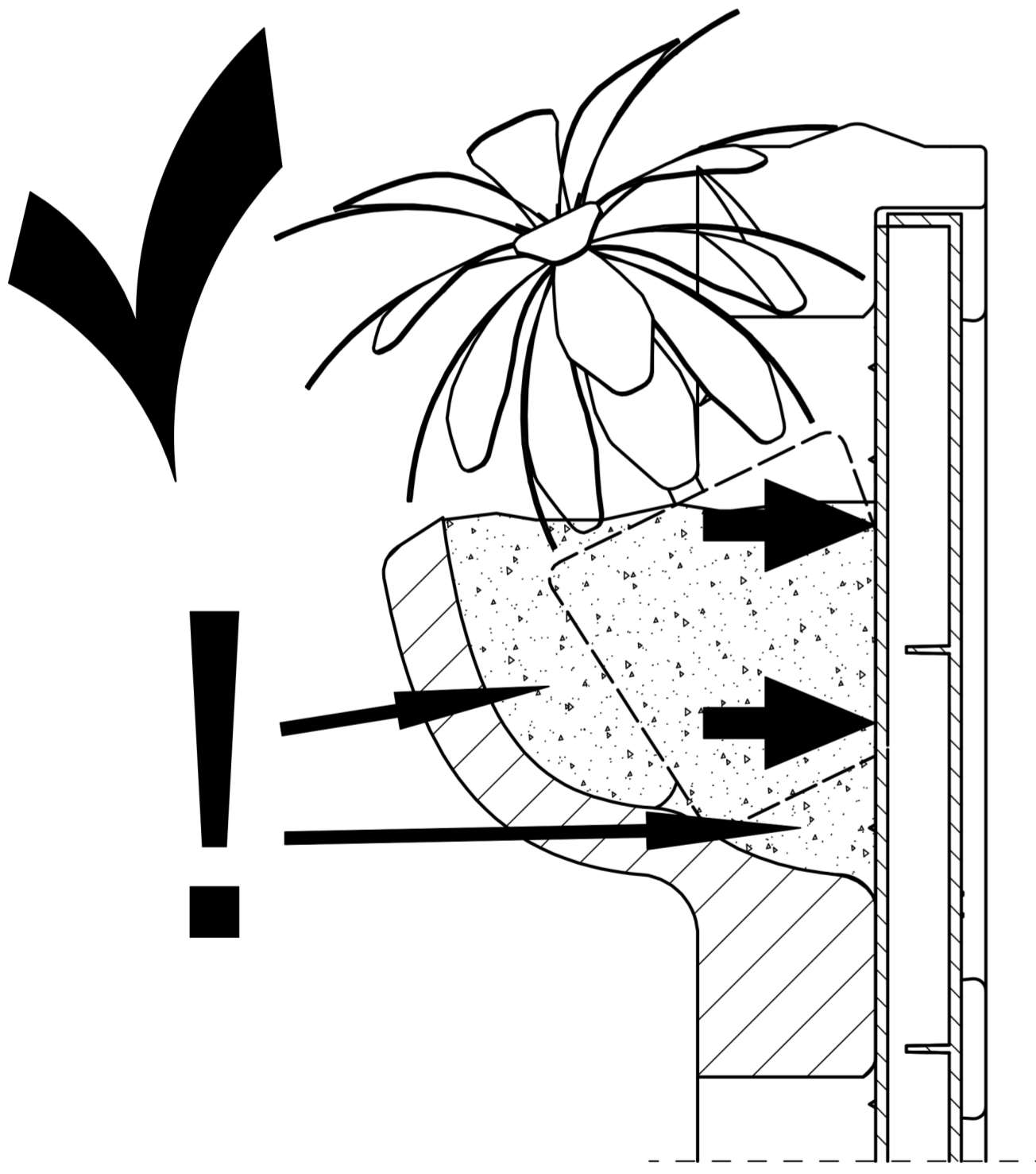
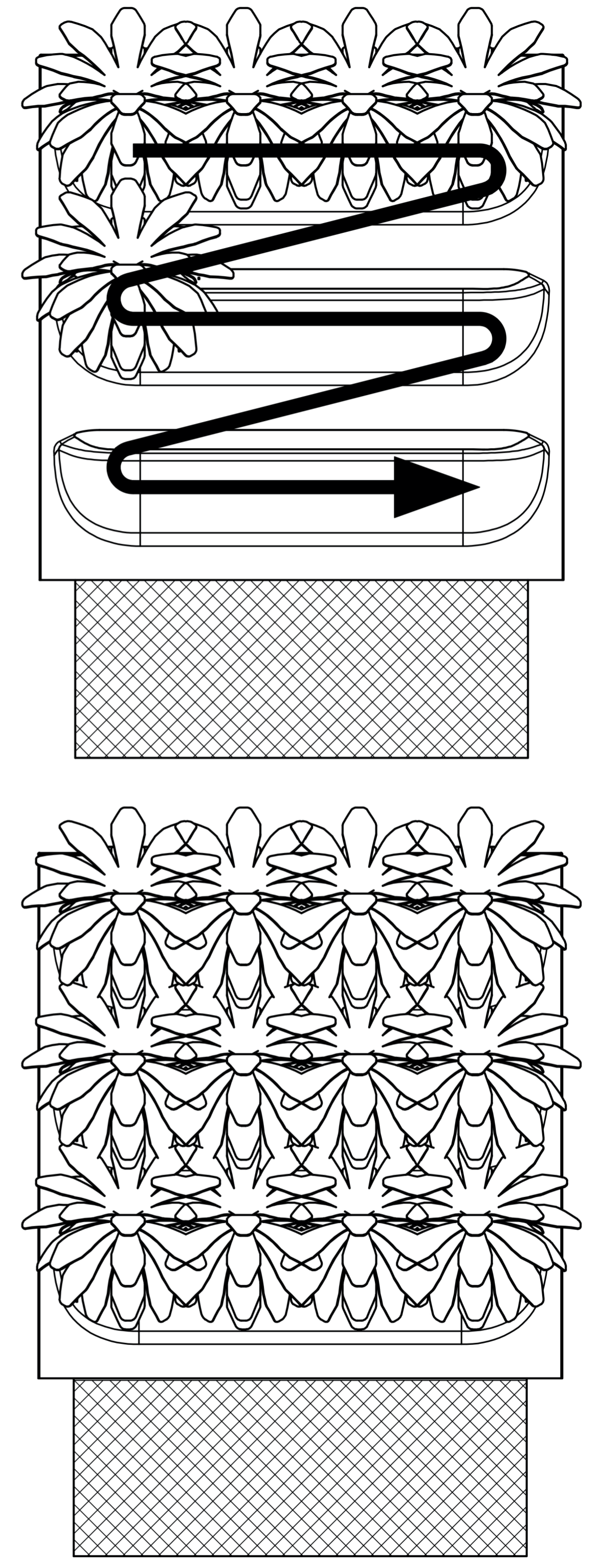
4D



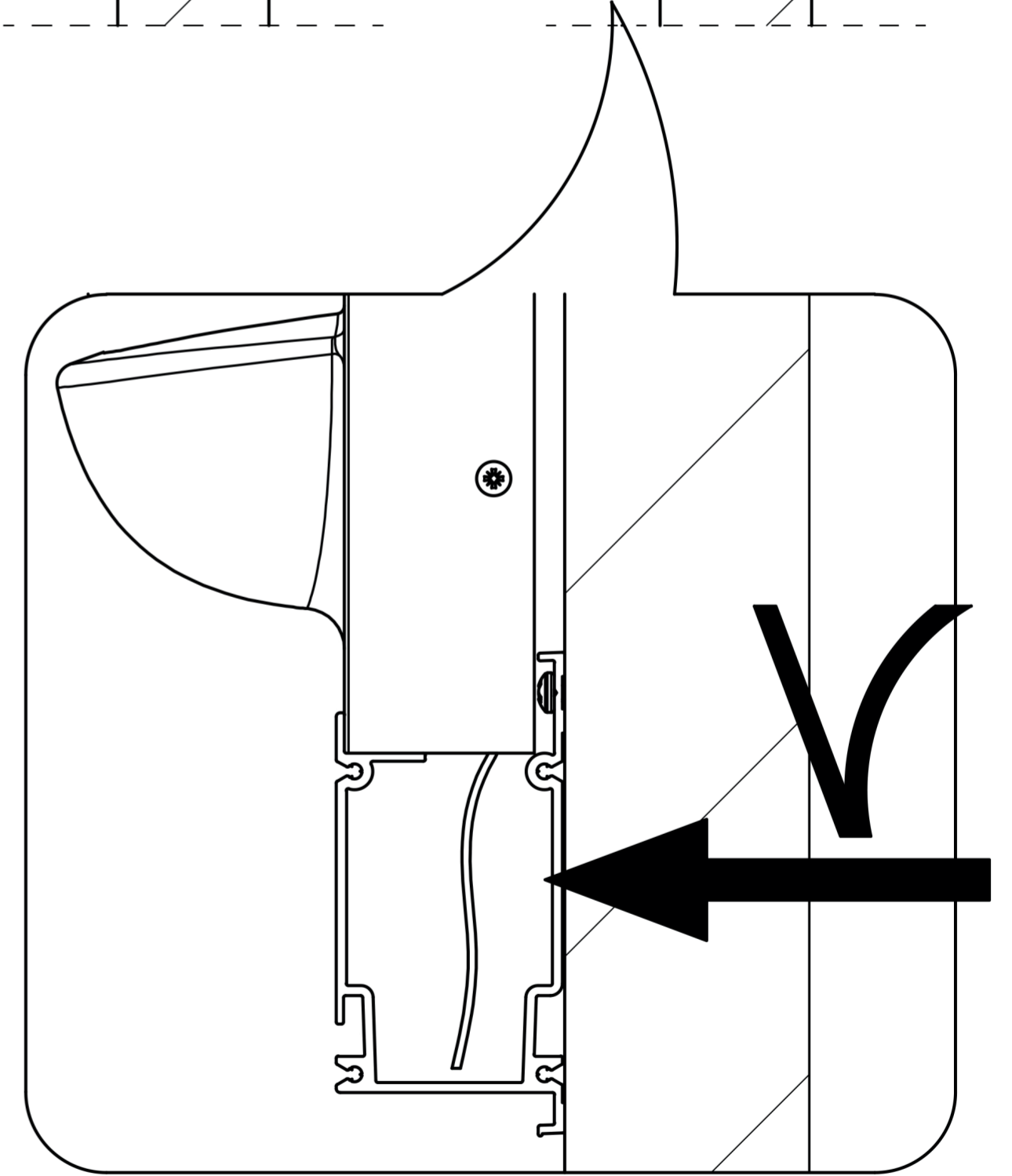
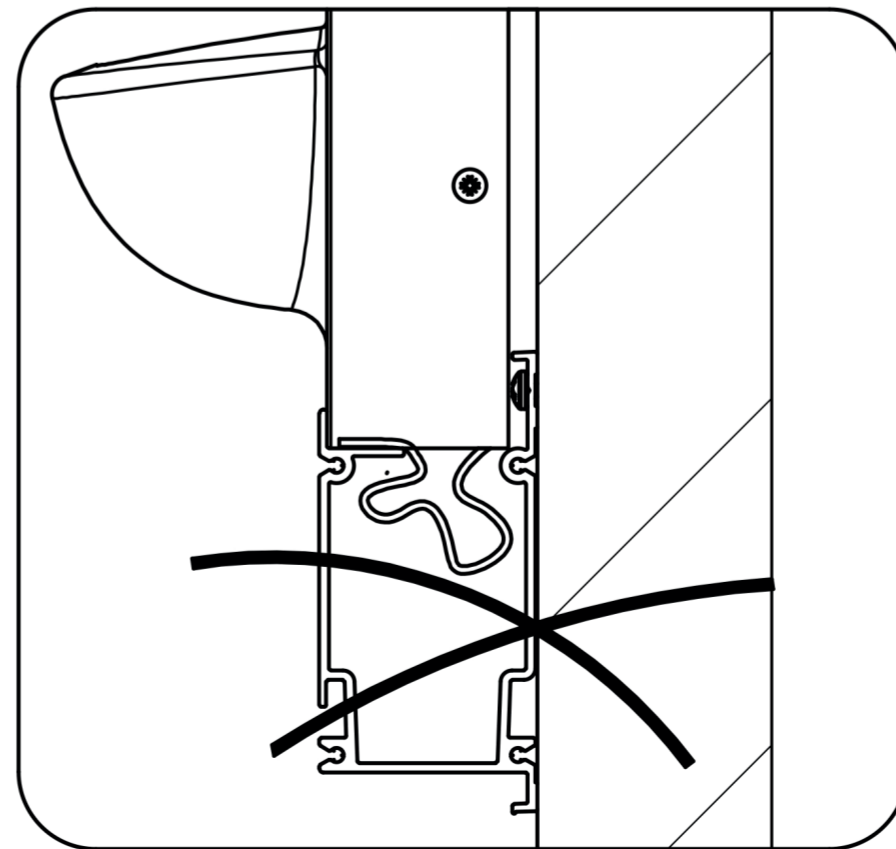
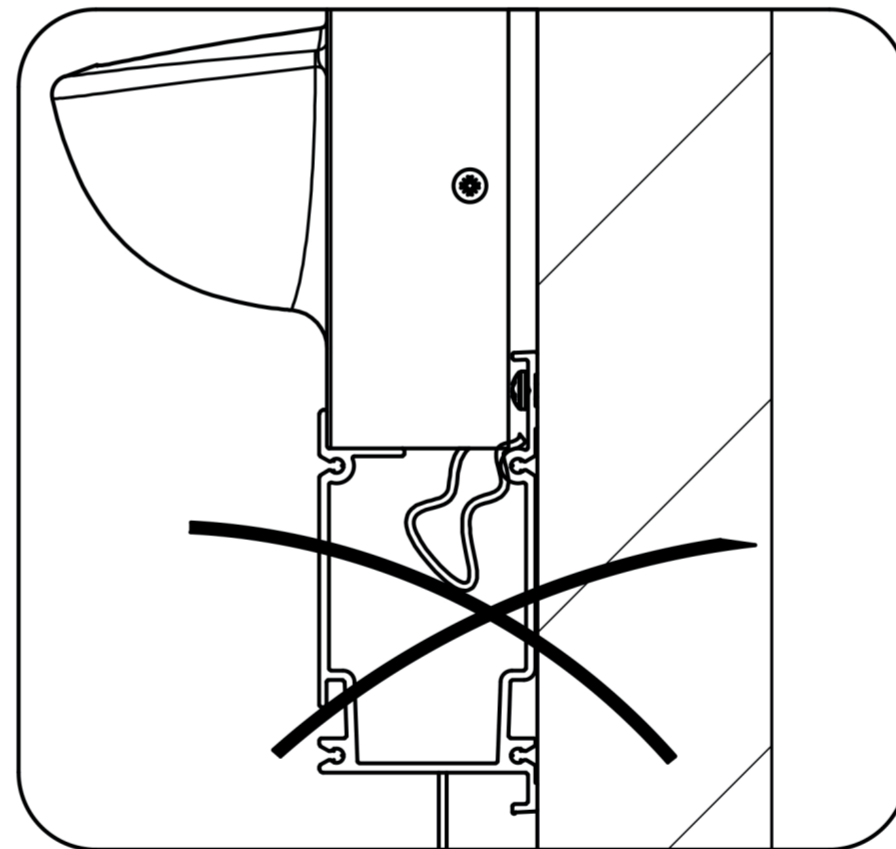
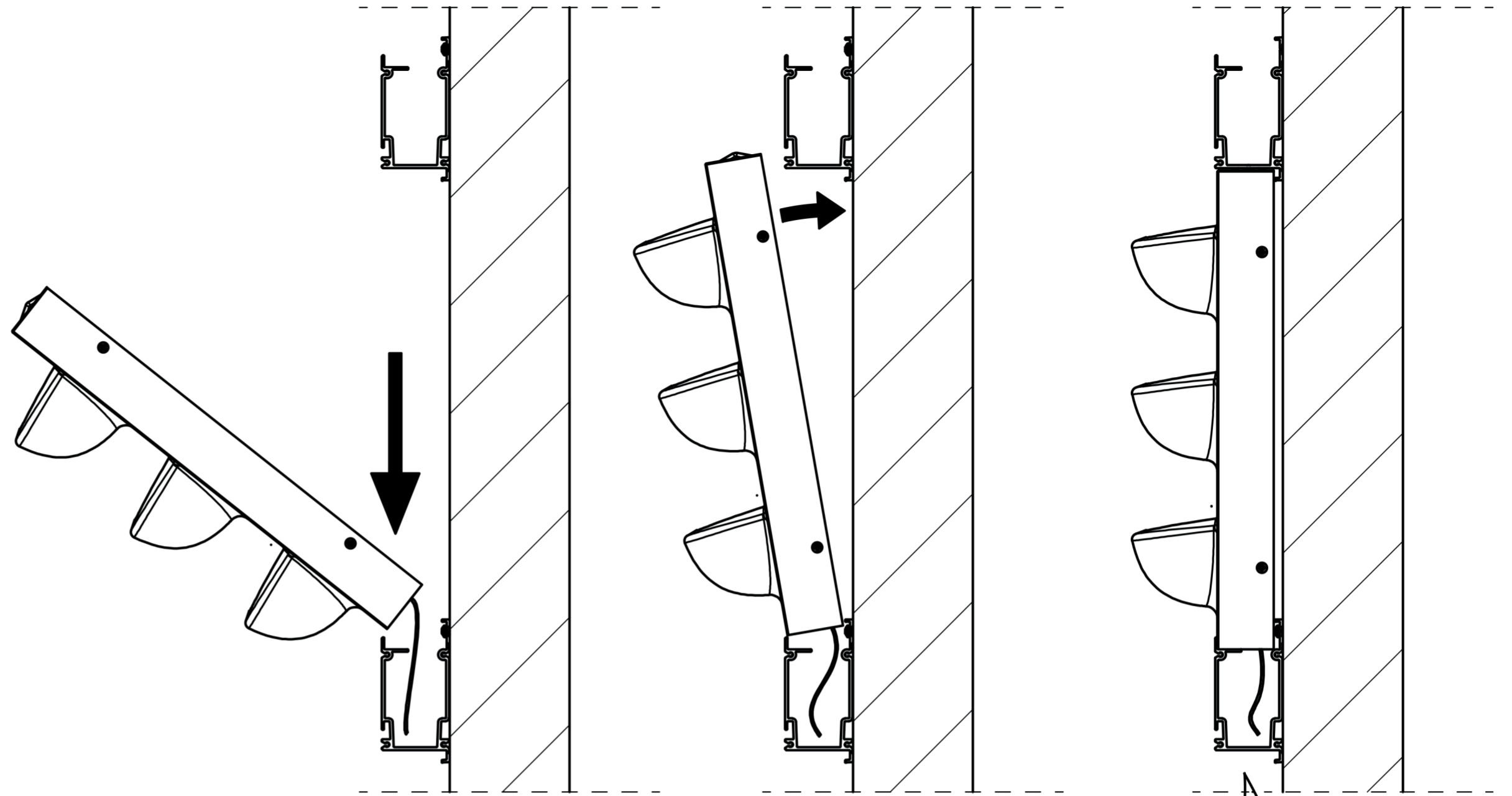
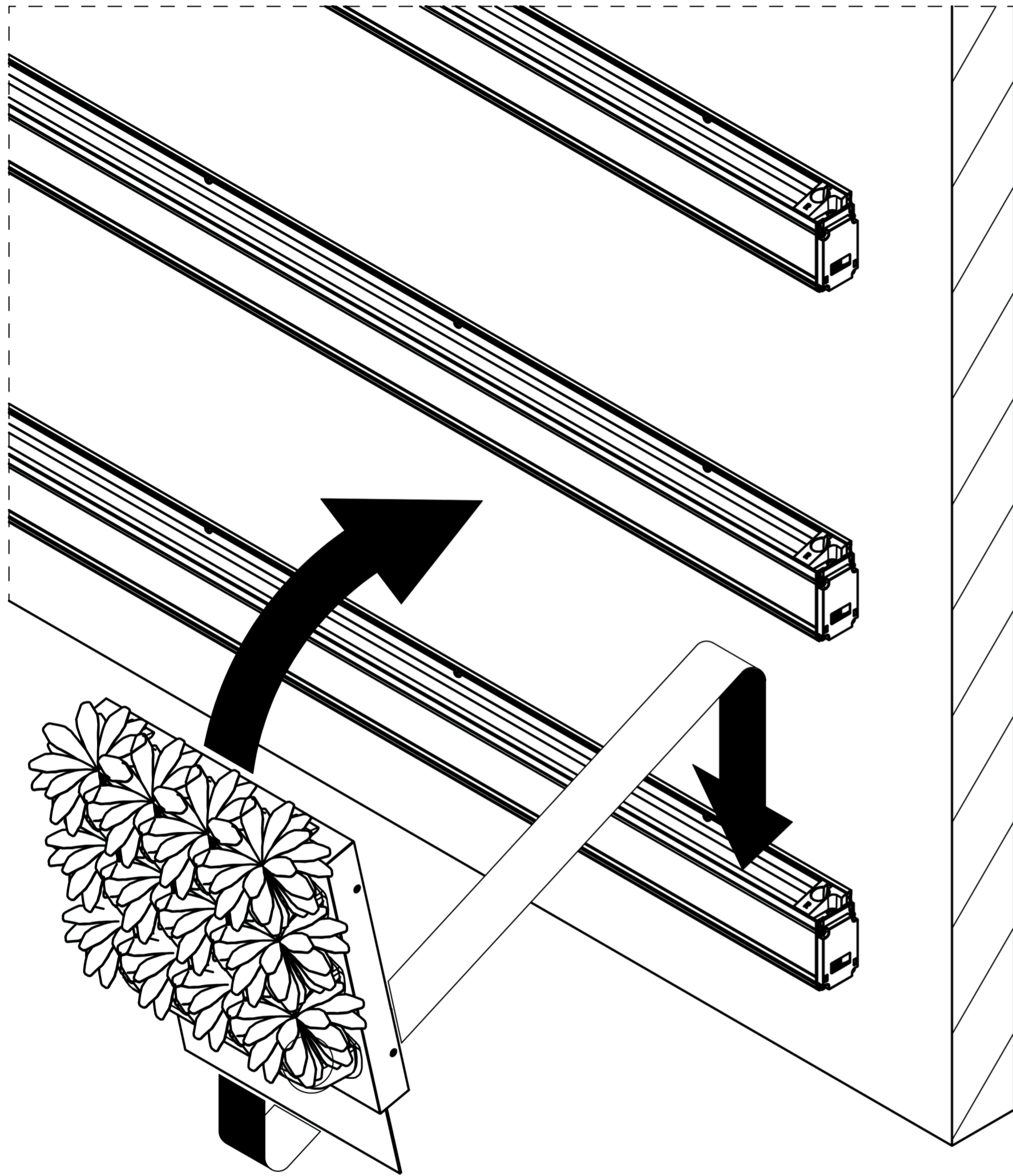
4E



4F



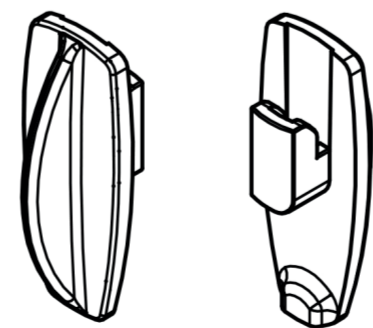
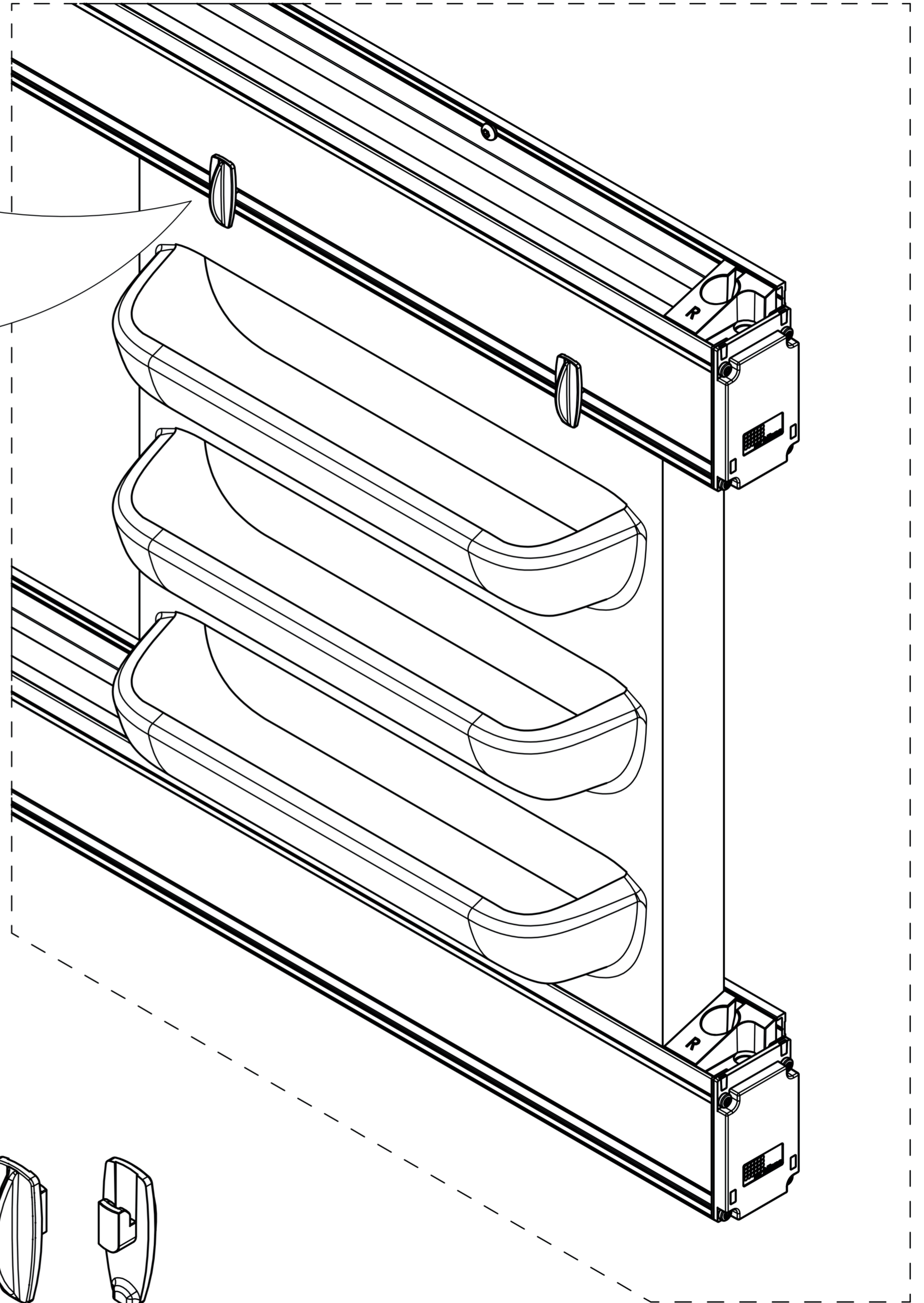
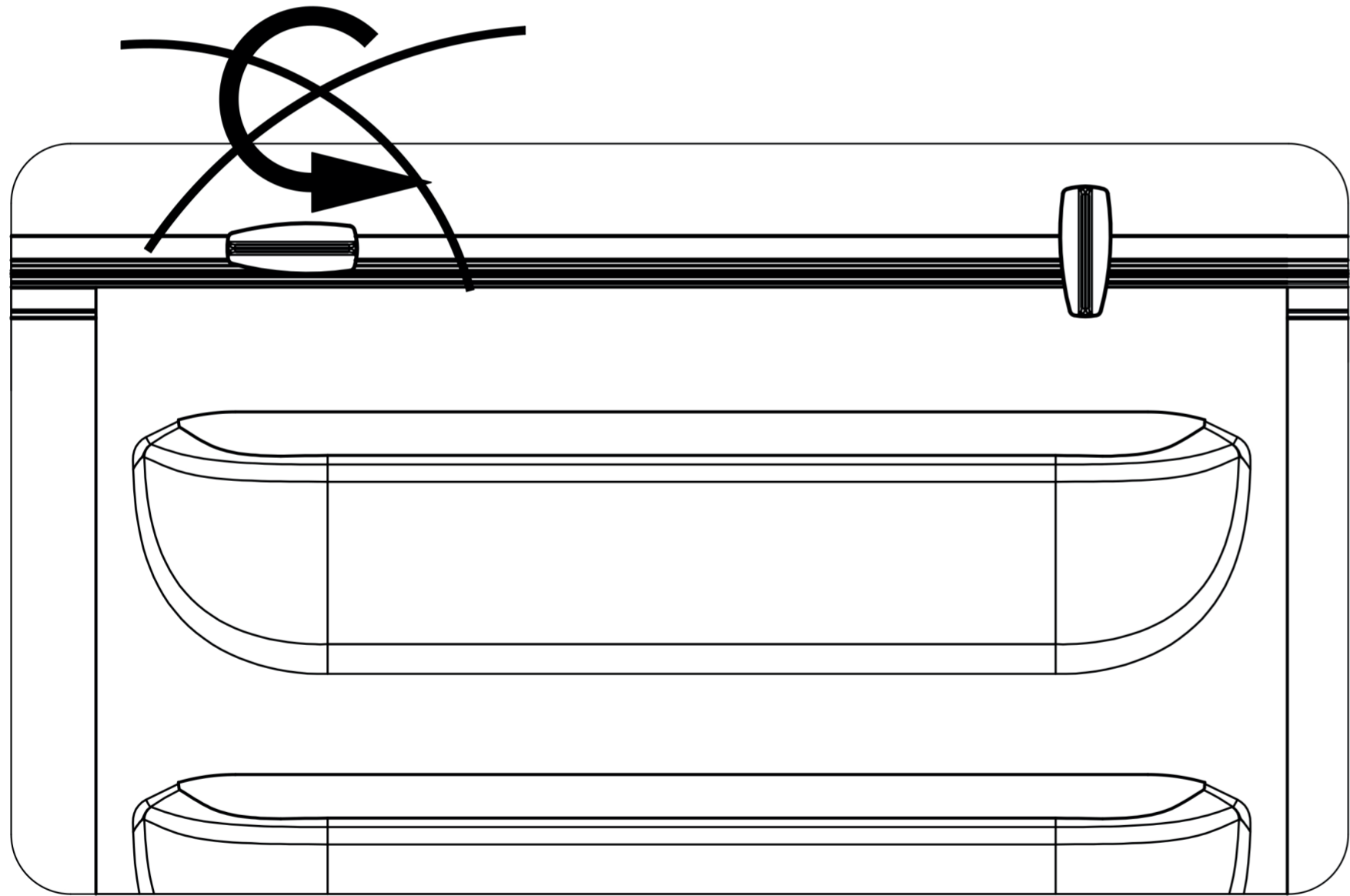
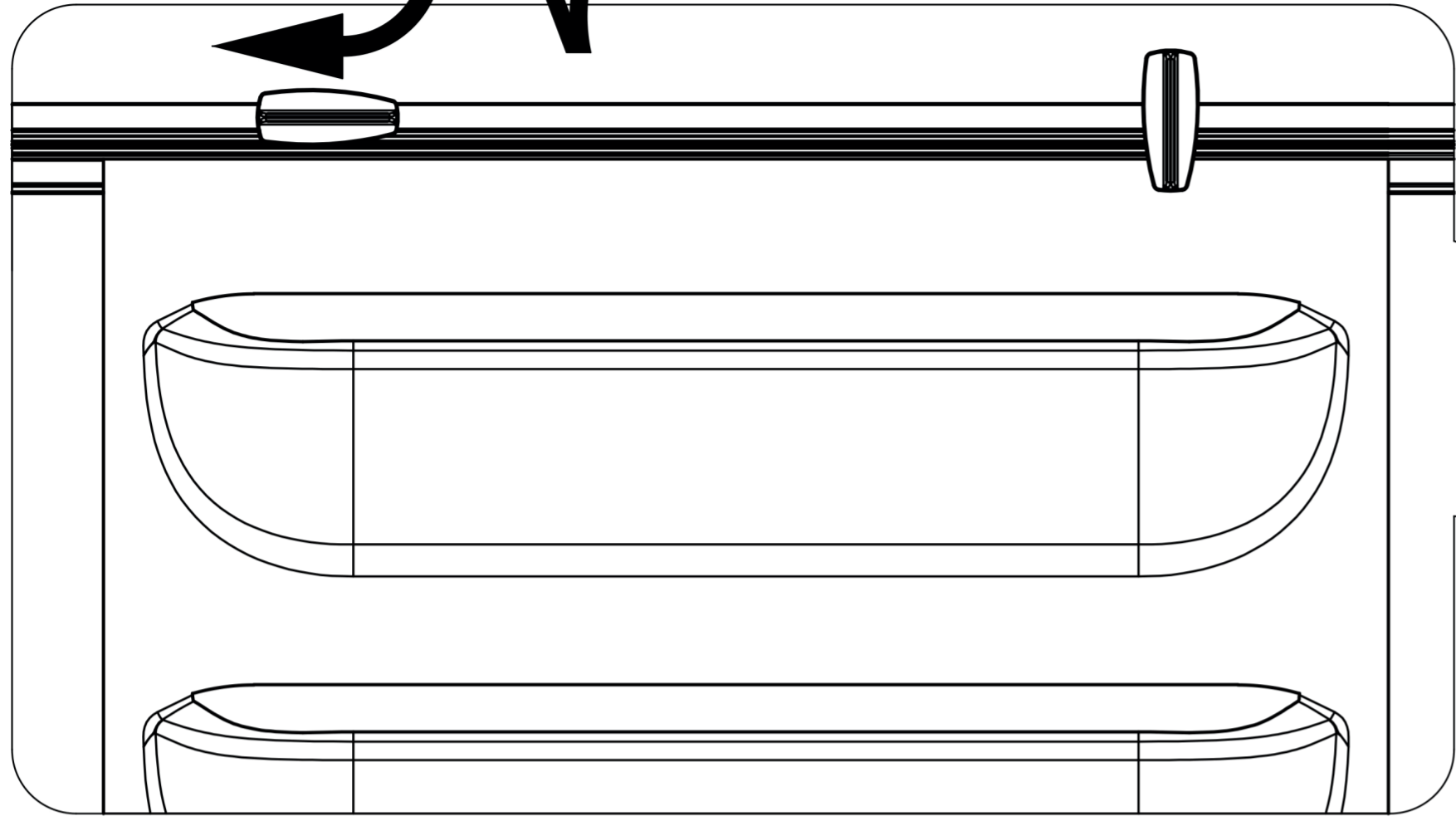
5



**CHECK!**

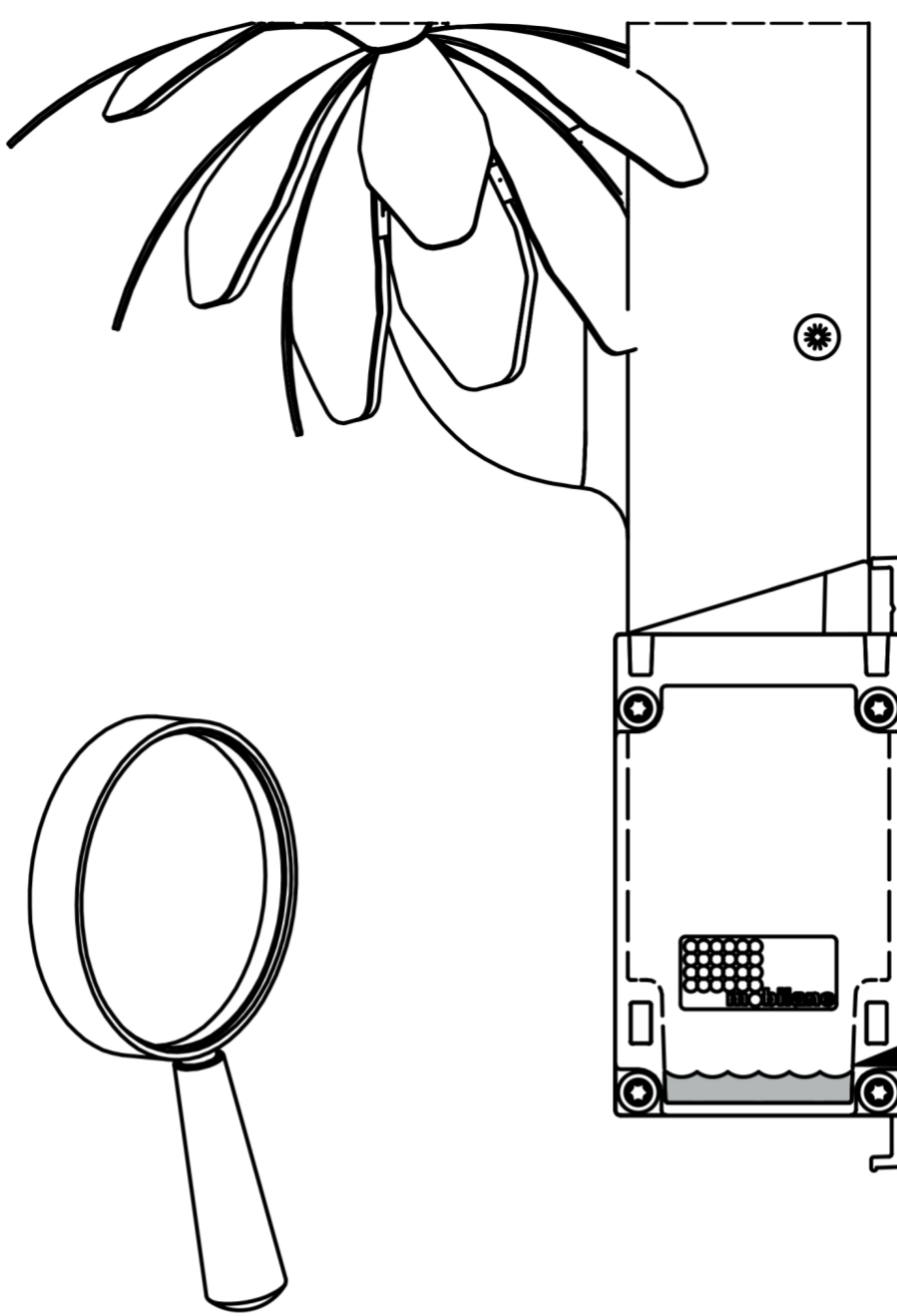
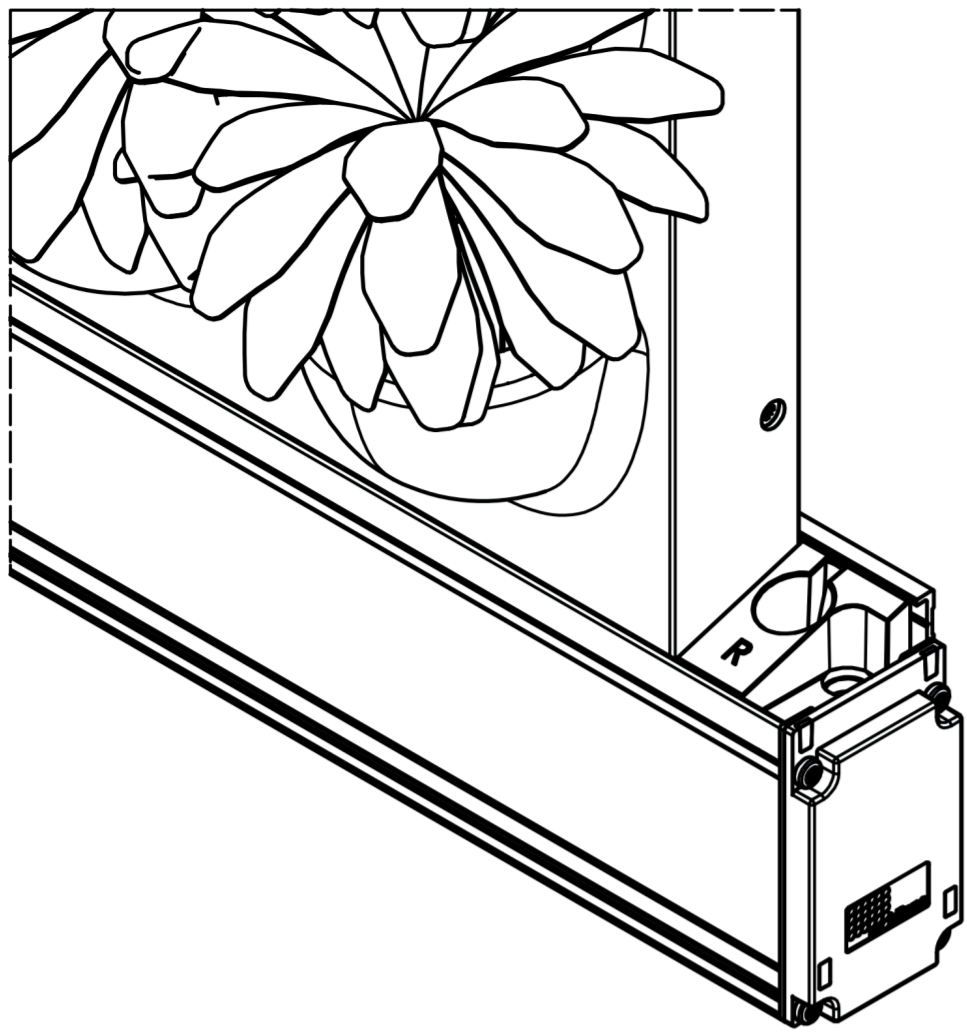
6

click!

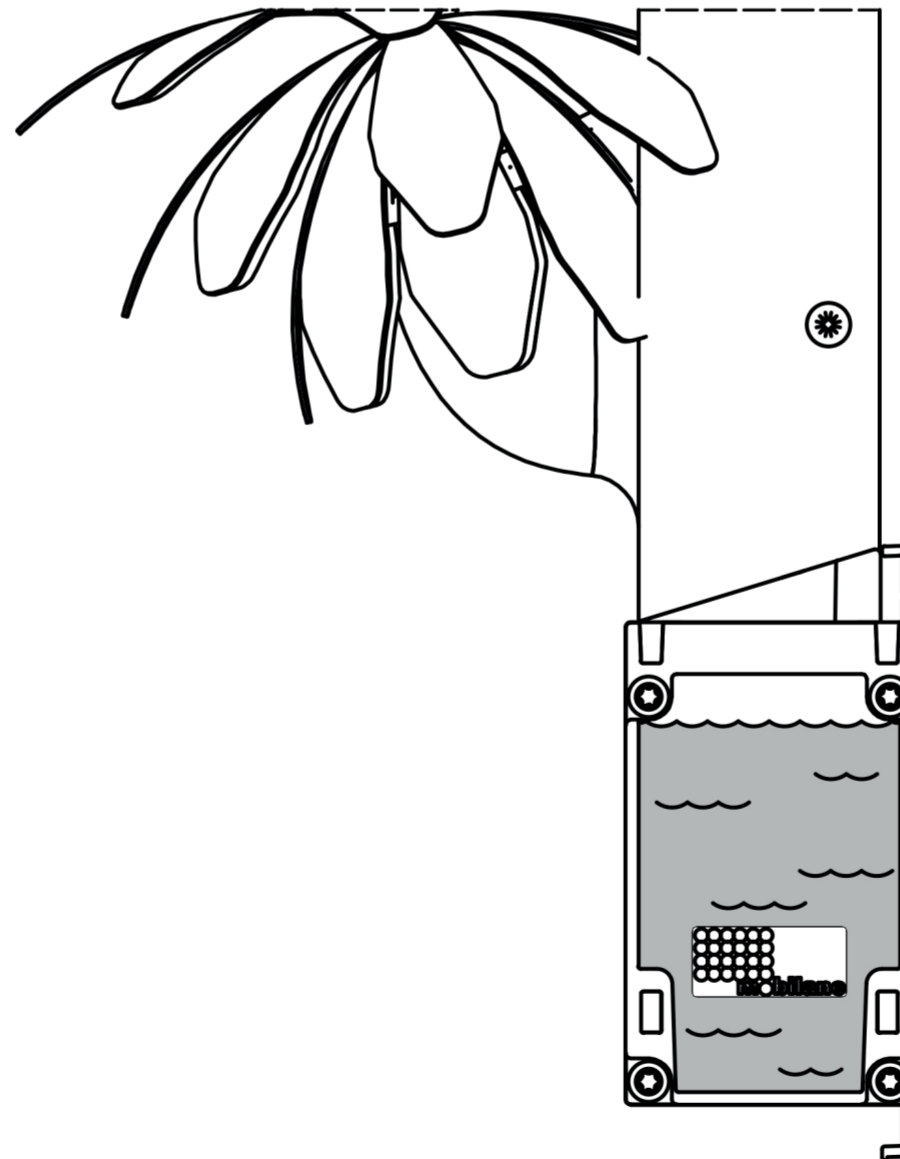
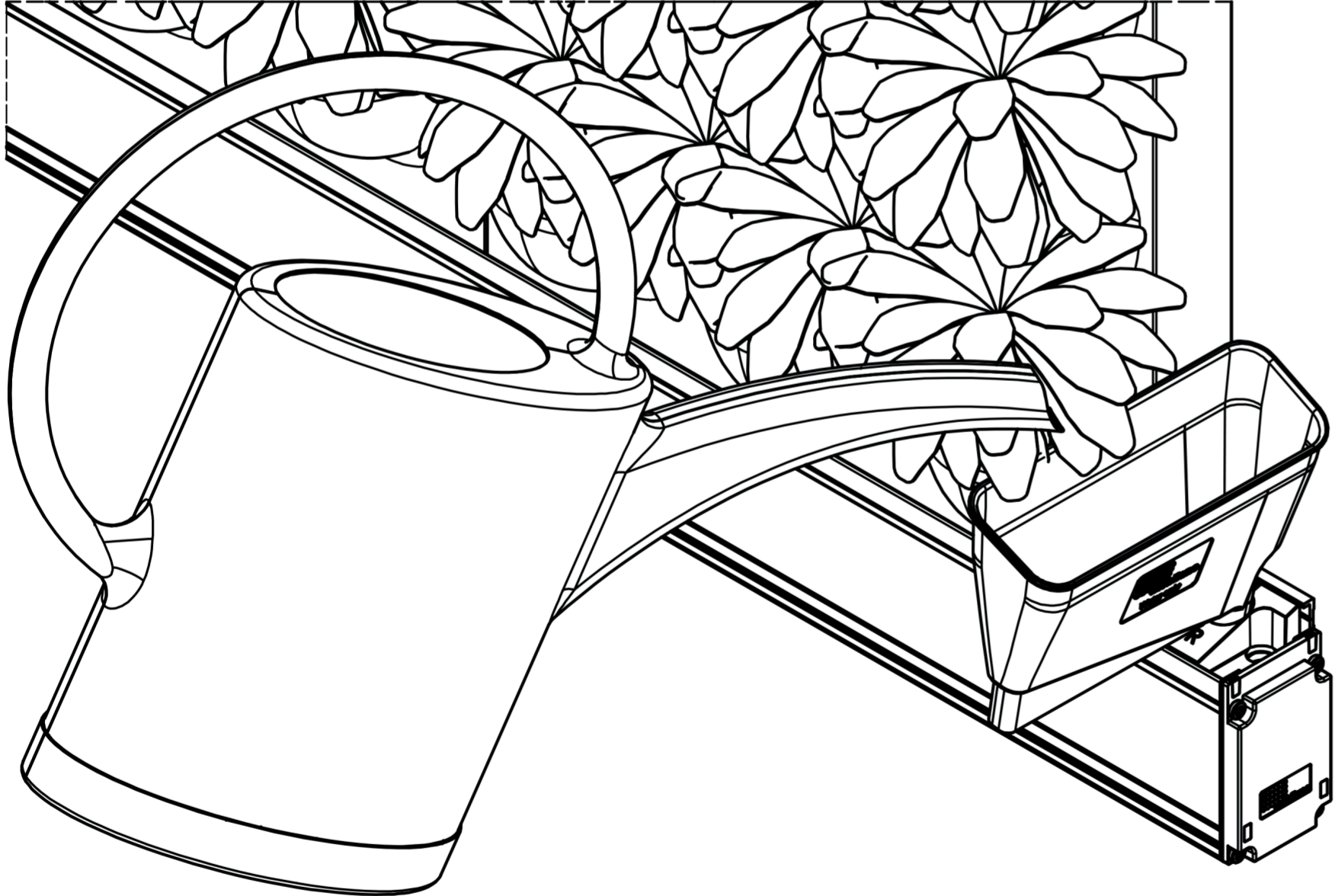
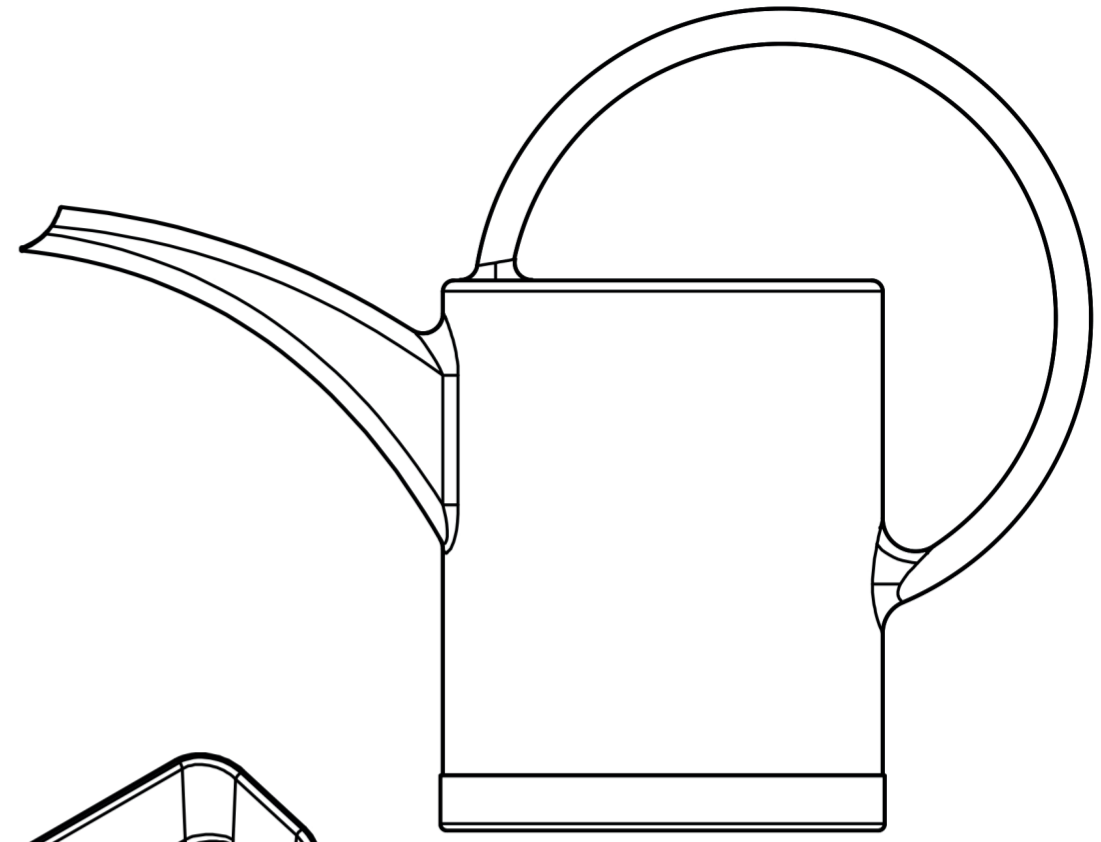
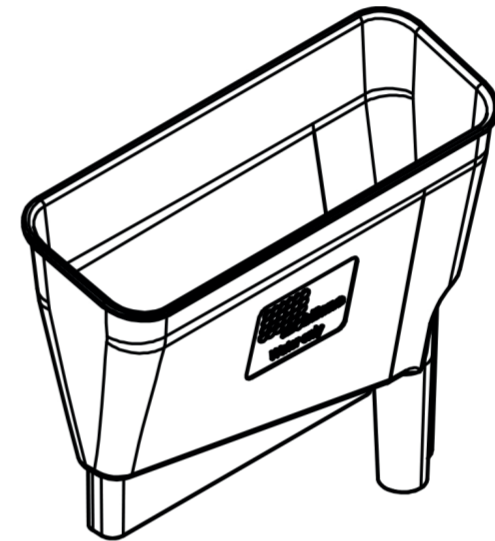
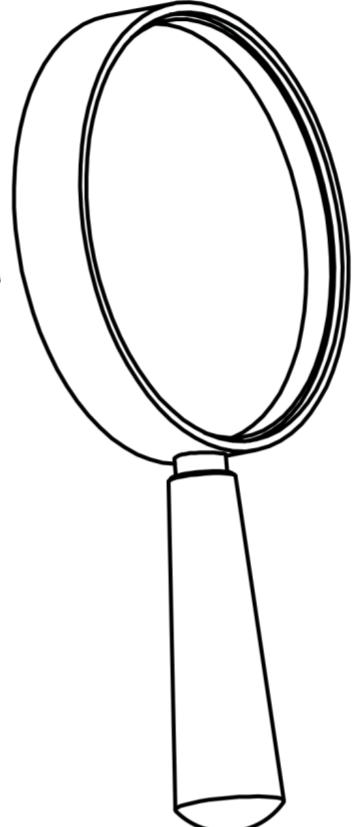


2x

7



! = Fill



! =

