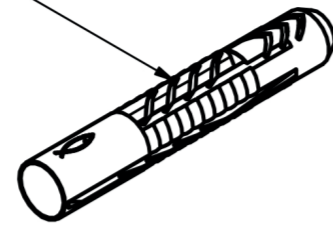


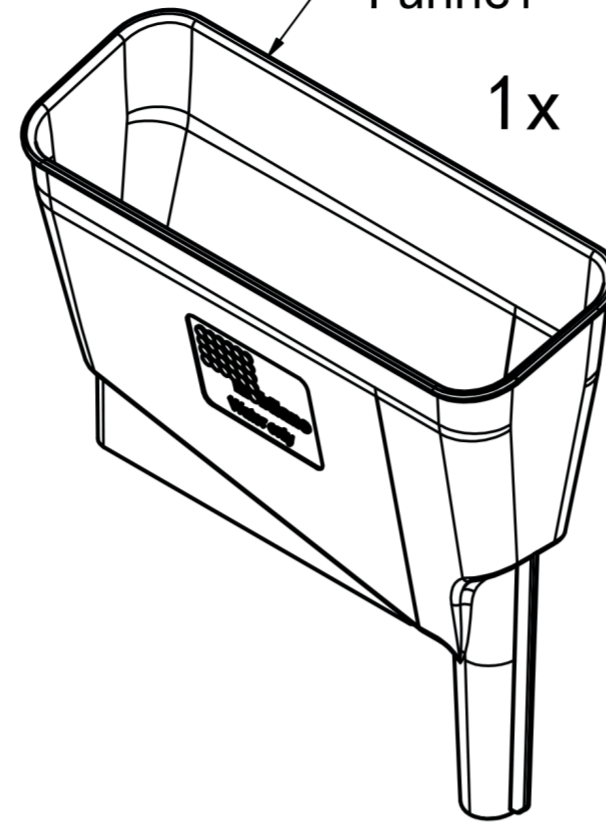
14-0122-99-06  
fischer UX 8x50

14x



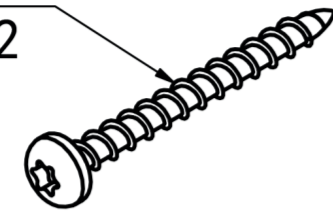
15-0089-00-01  
Funnel

1x



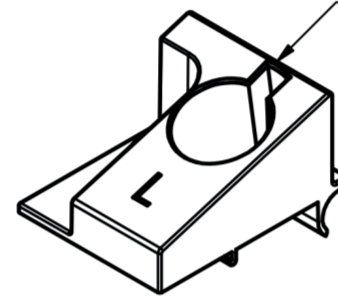
14-0122-99-11  
fischer 5,0x60 CK T-25 RVS A2

14x



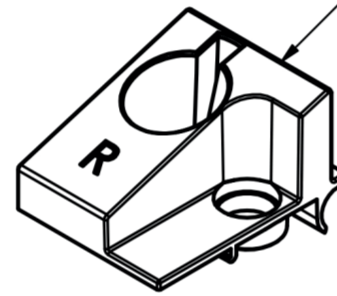
16-0151-01-01  
Funnel Block Left

2x



16-0151-01-02  
Funnel Block Right

2x



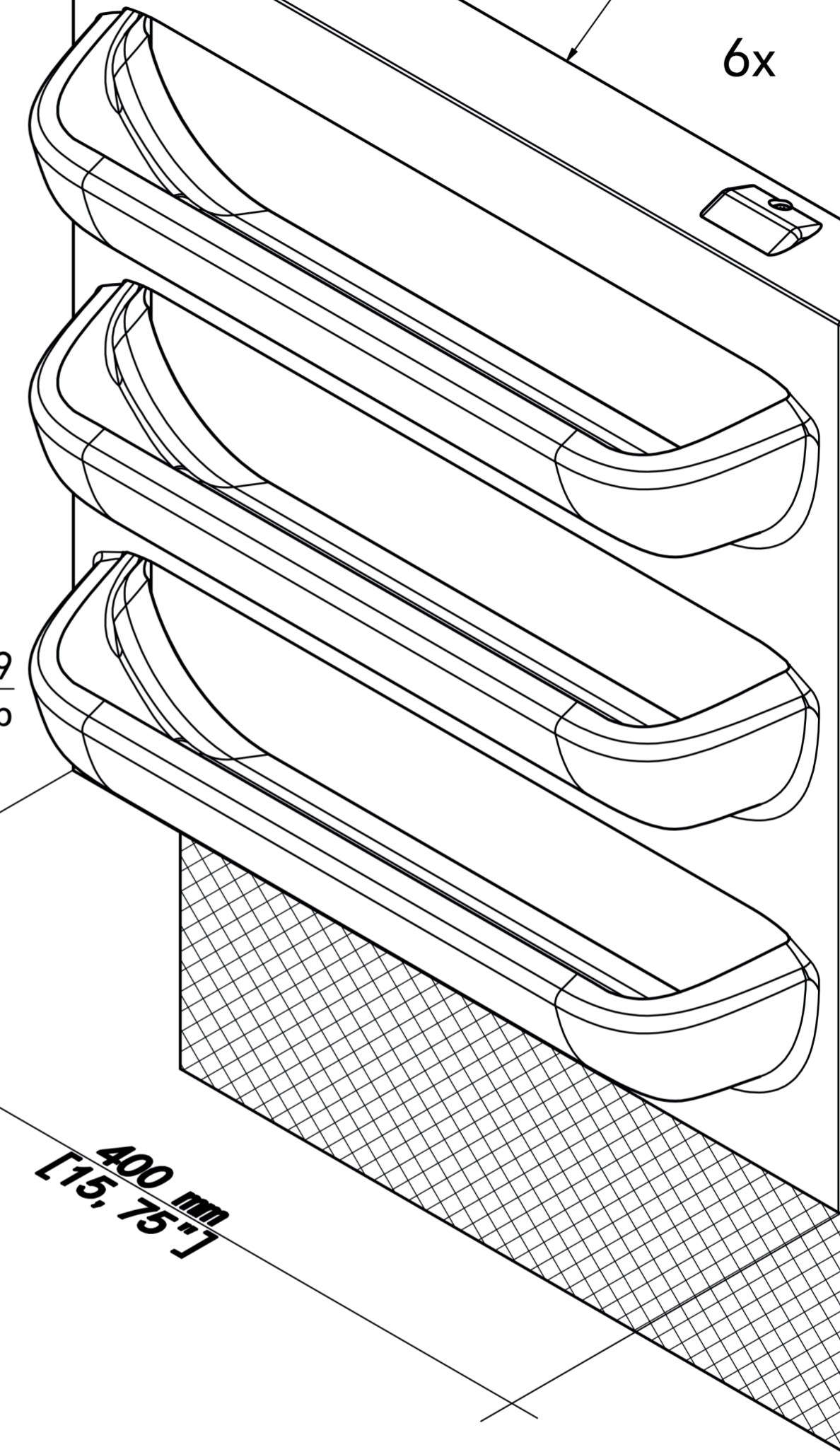
14x



14-0122-00-09  
Cassette Clip

18-1678-01-00  
Cassette

6x



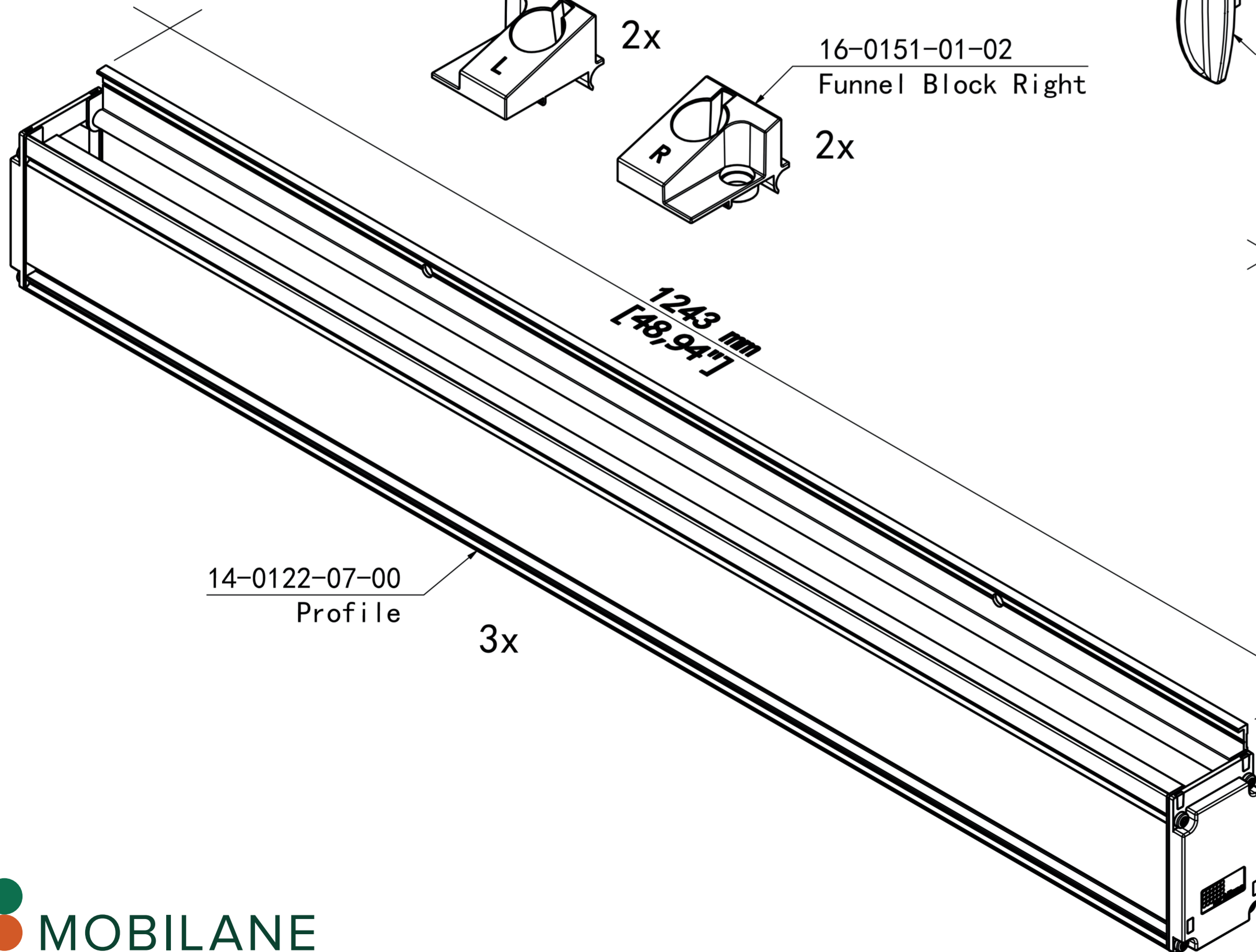
400 mm  
[15,75"]

400 mm  
[15,75"]

1243 mm  
[48,94"]

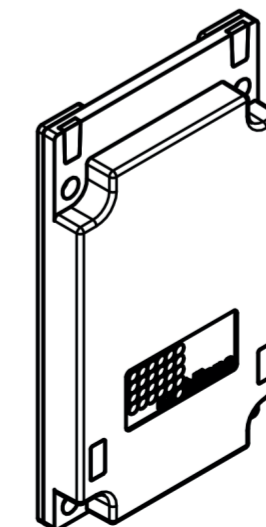
14-0122-07-00  
Profile

3x



14-0122-00-07  
Endcap Transparent

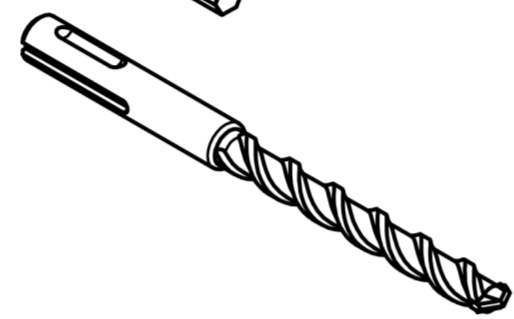
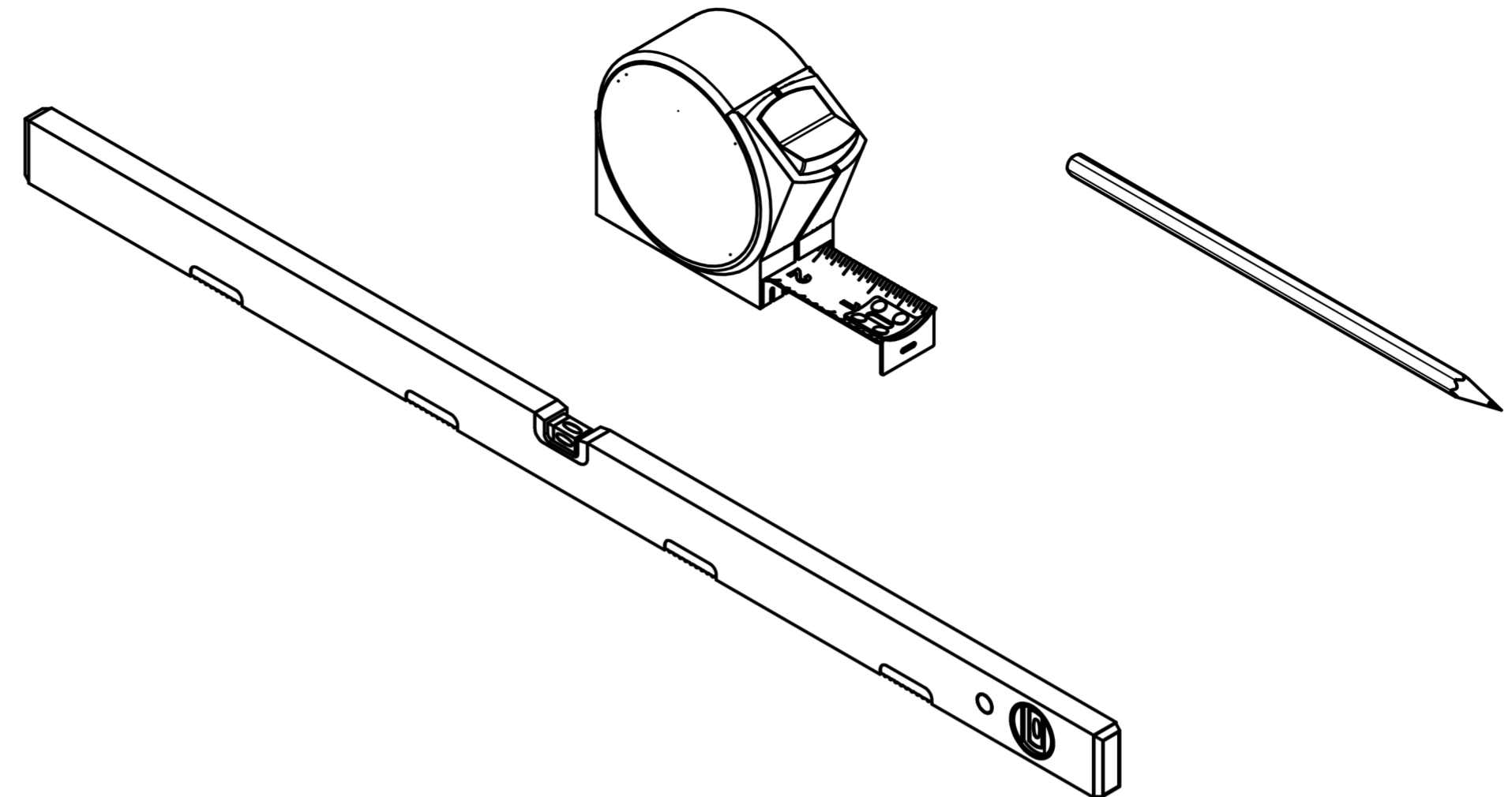
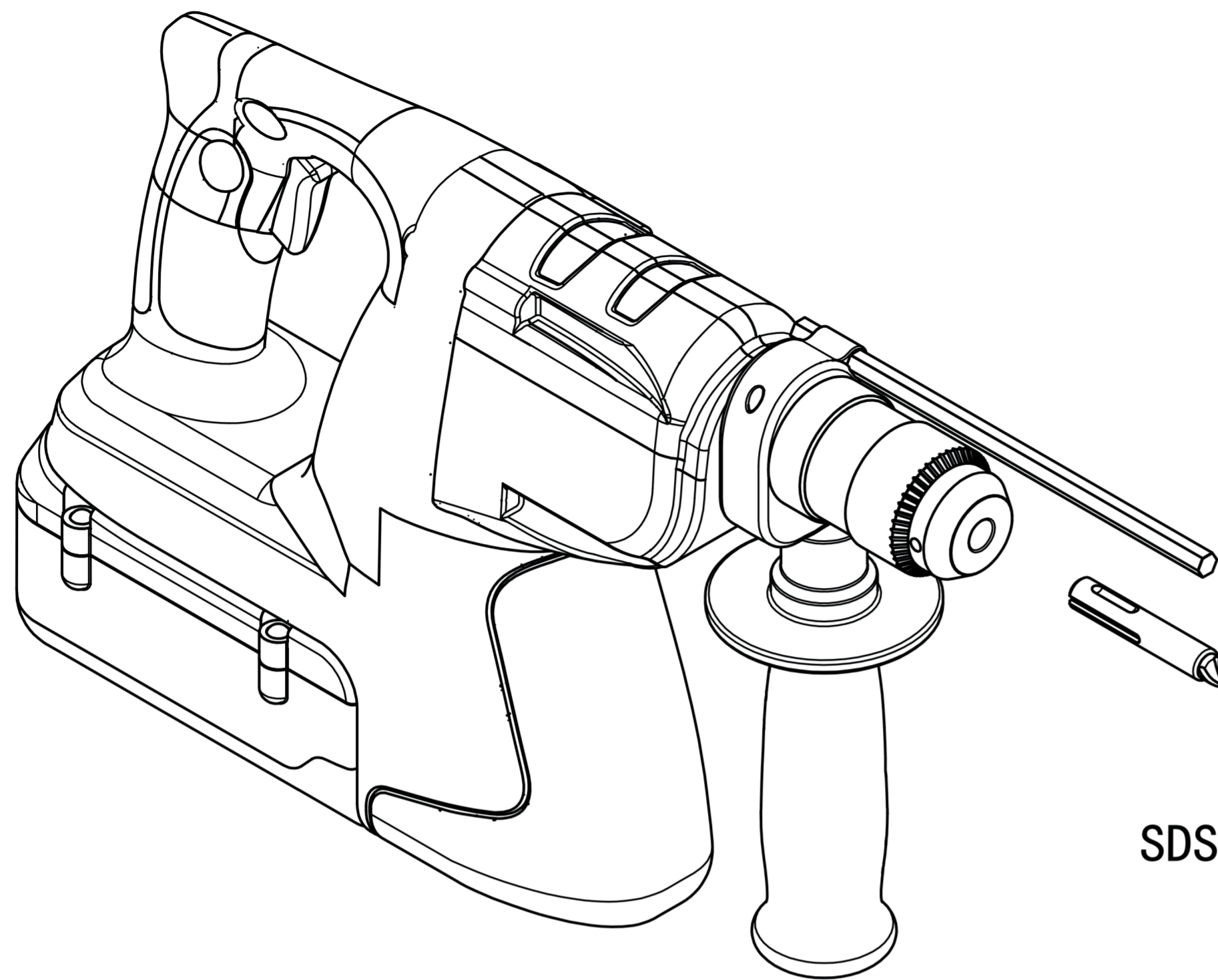
1x



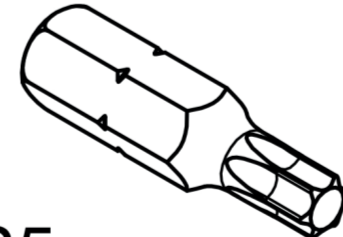
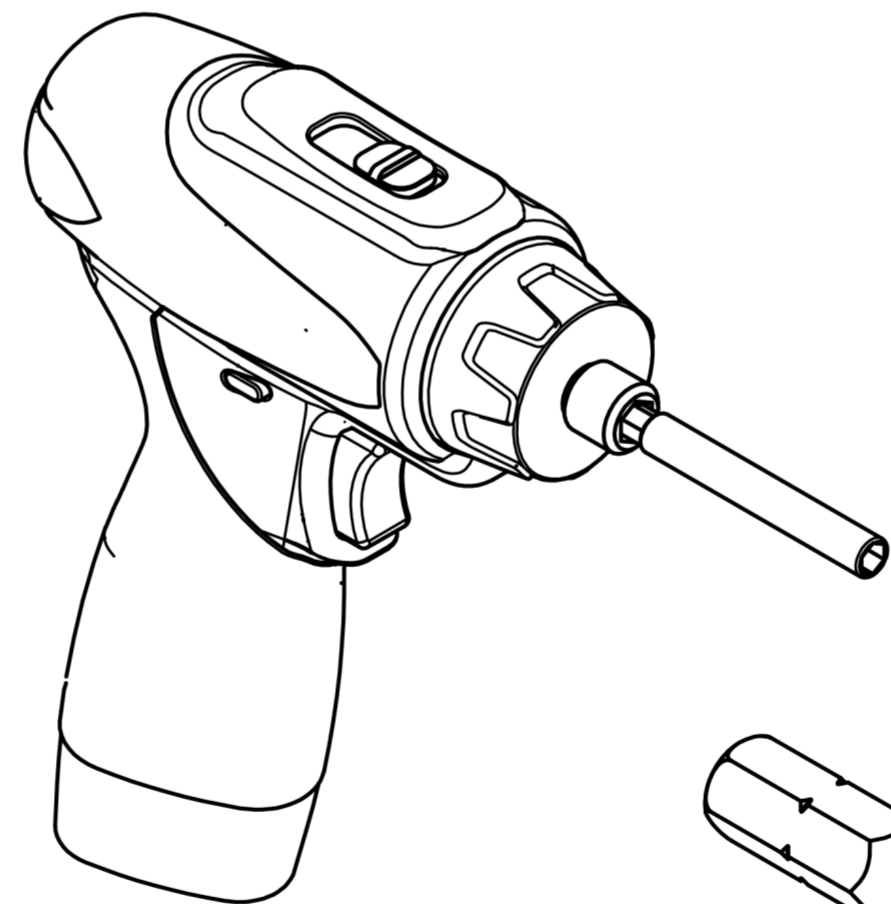
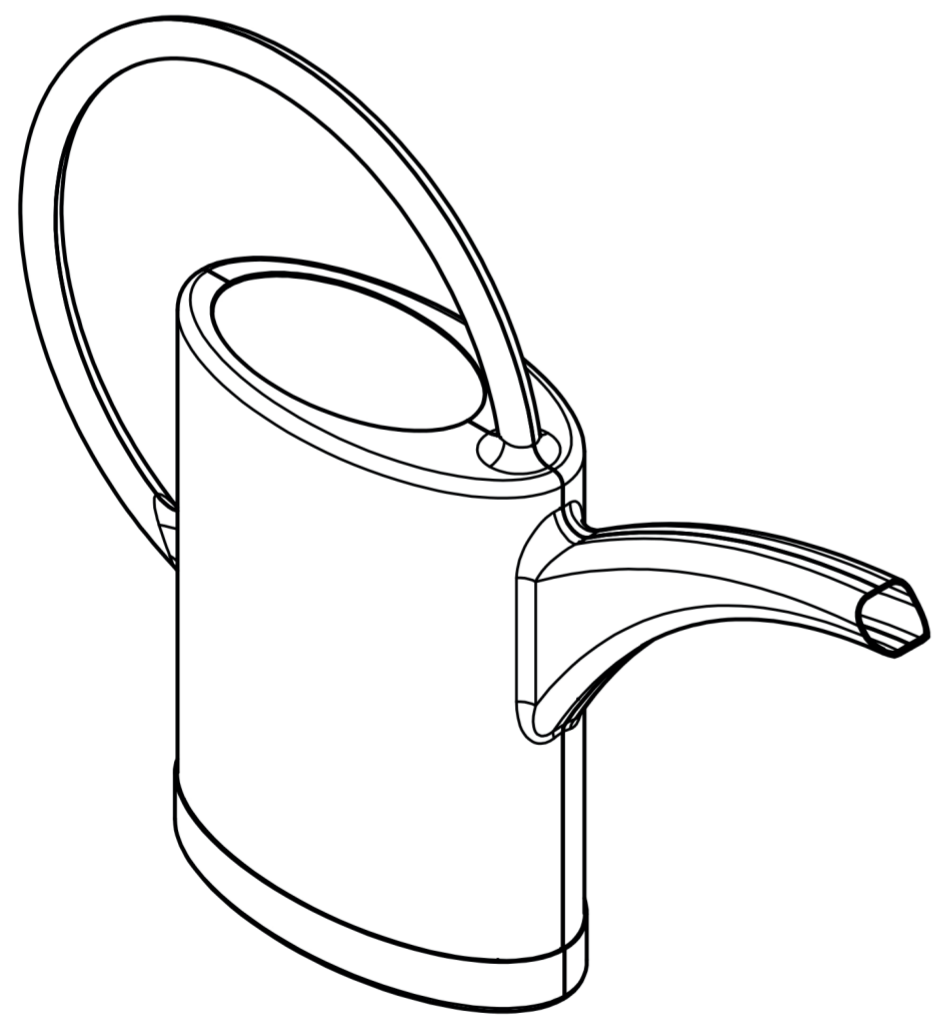
14-0122-99-05  
DIN-7981/A2 3,9x19 T15

4x

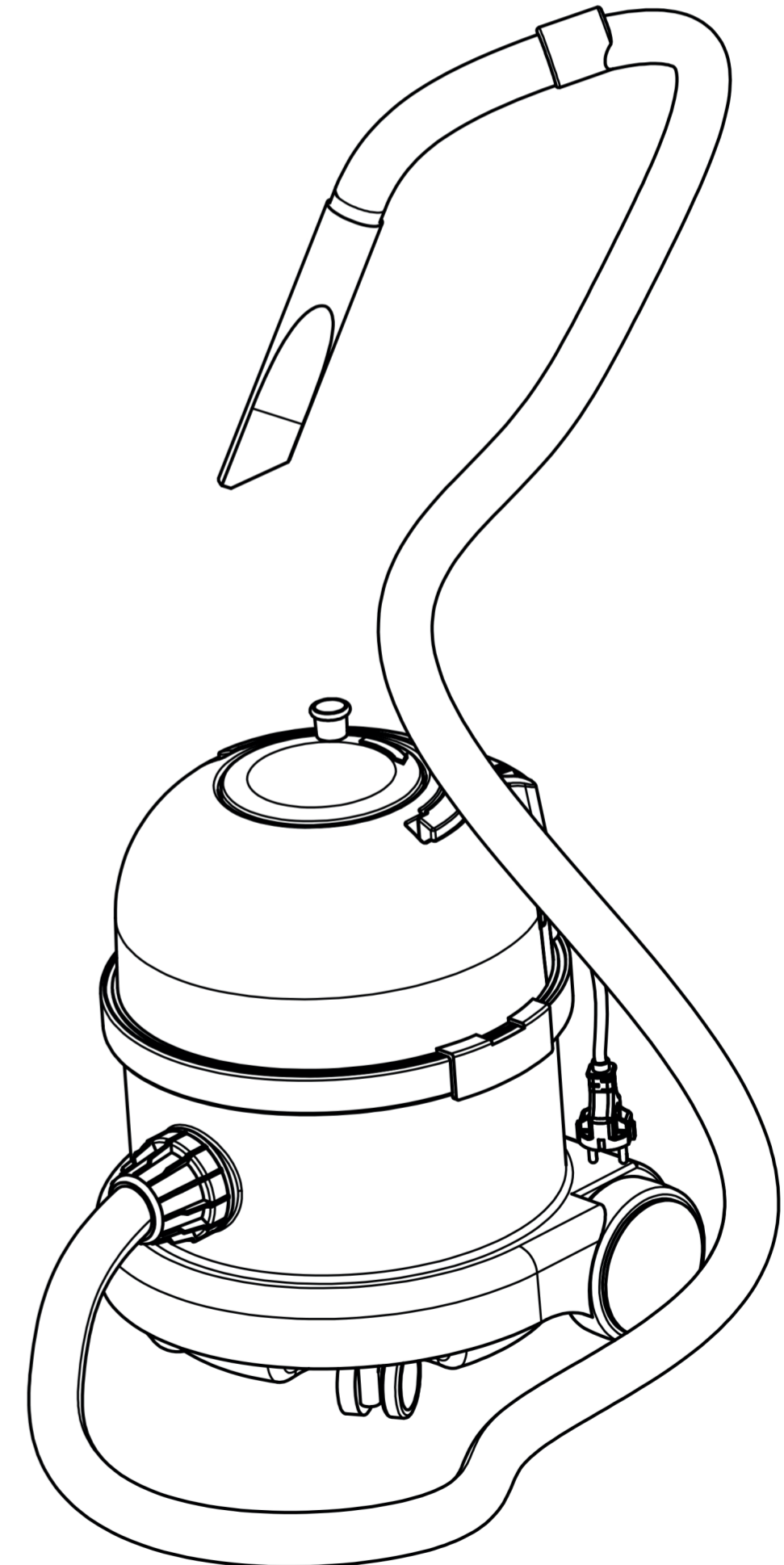




SDS 8 mm [5/16"]

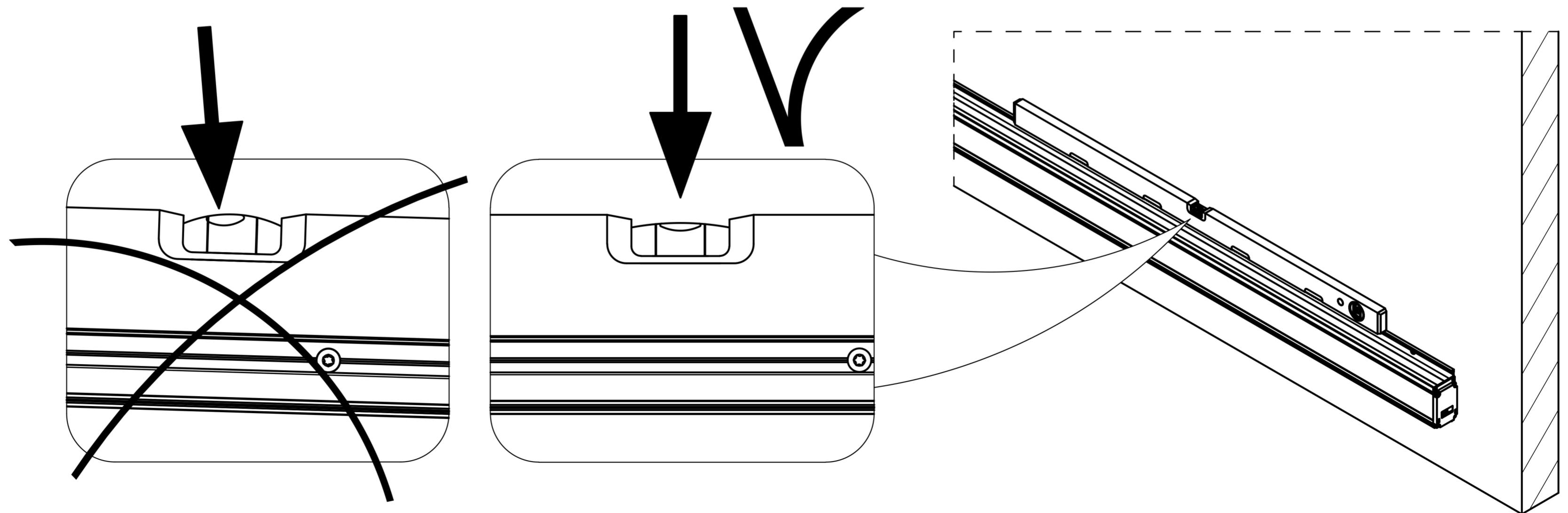
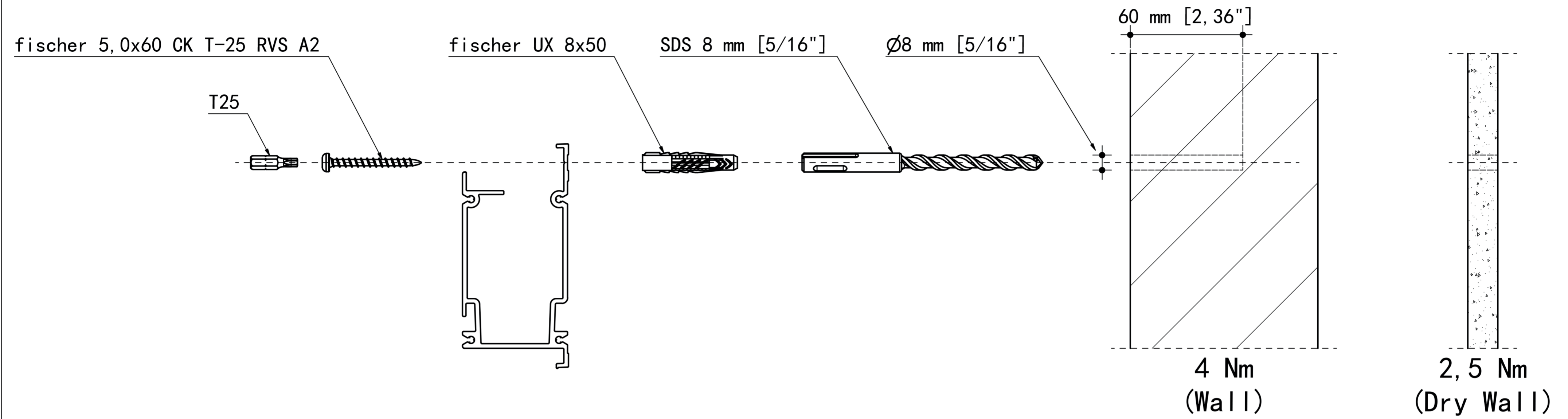


T25



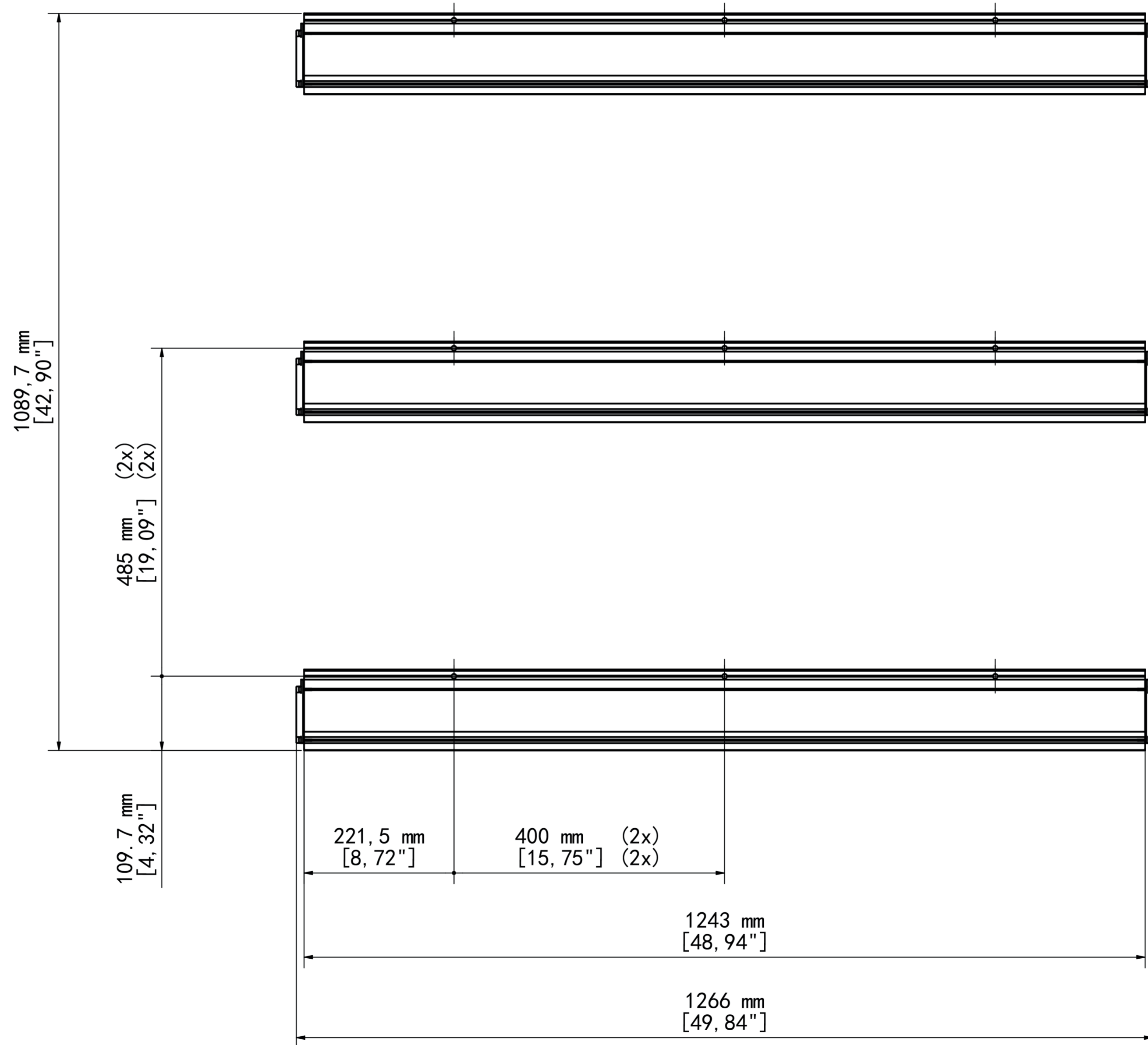
# 1A

## USE DRILL PATTERN (1B)

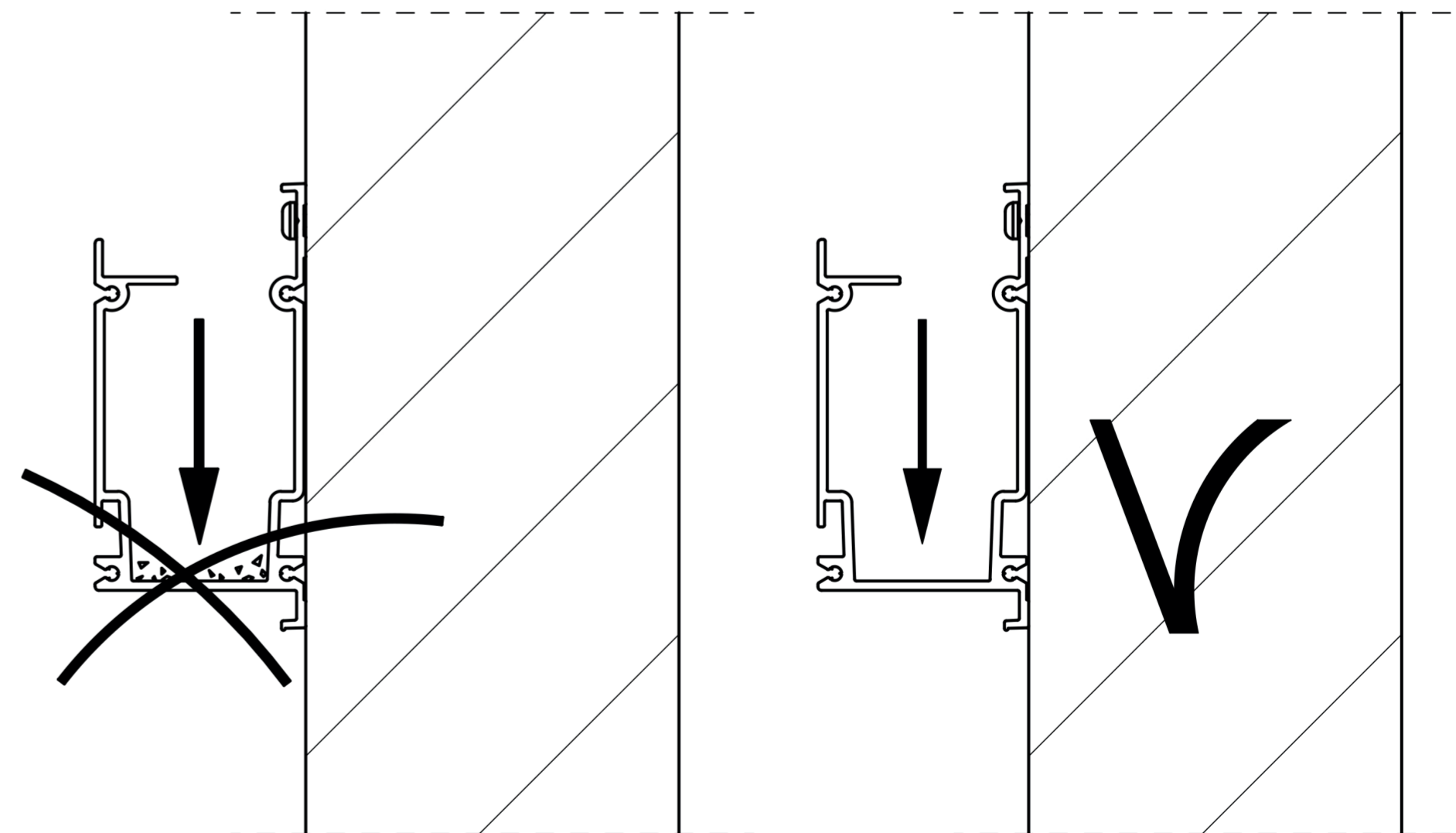
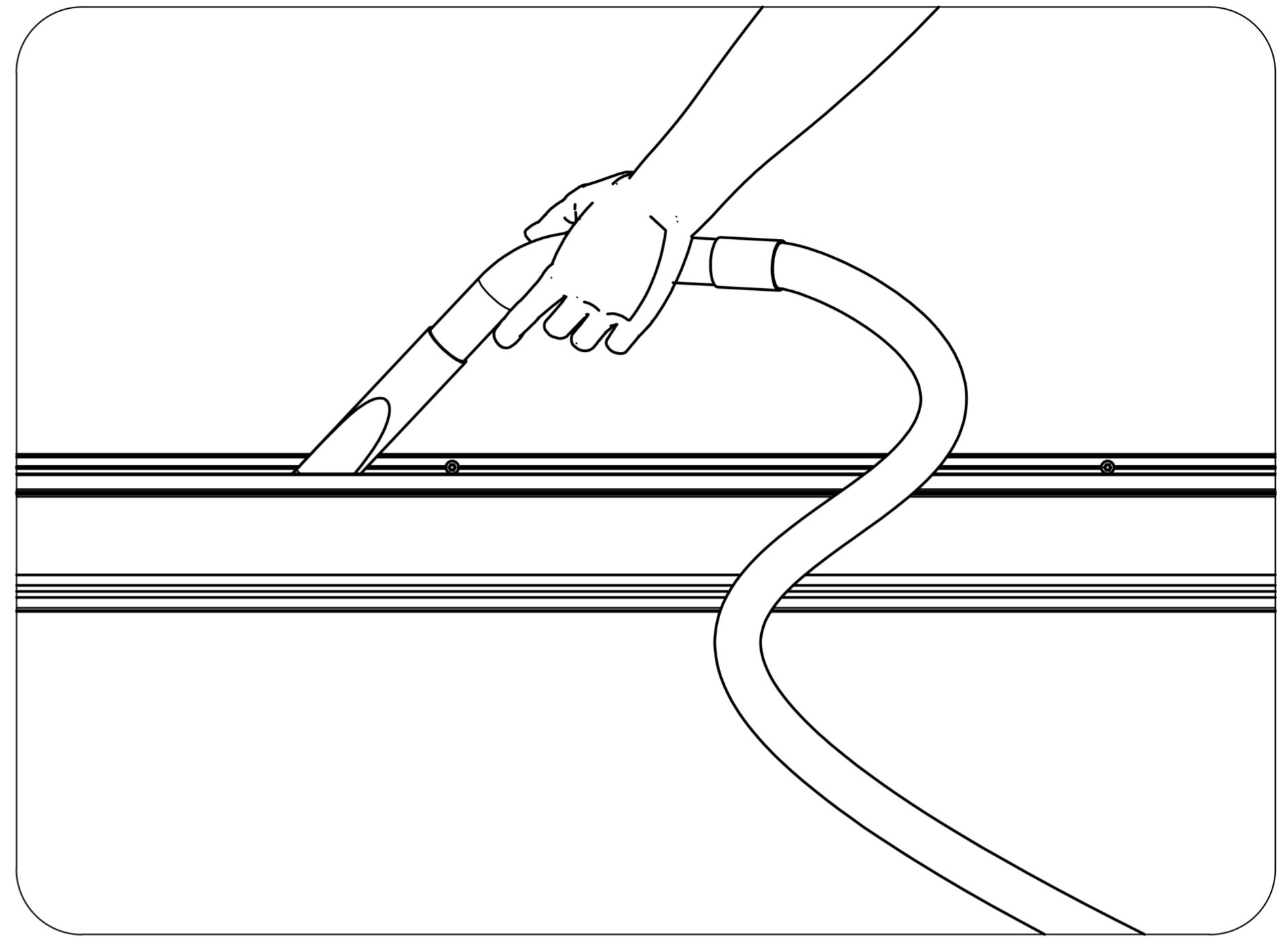
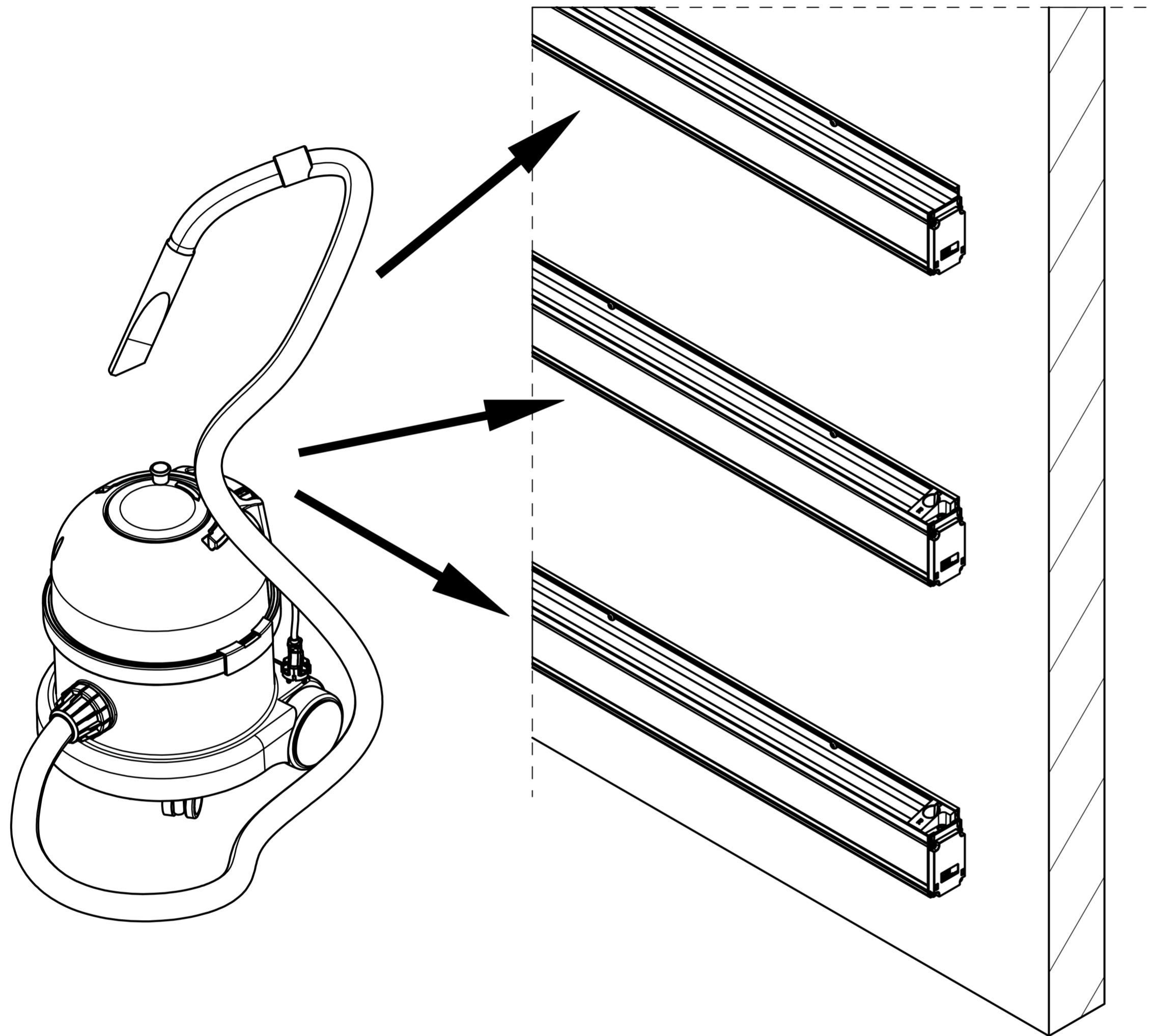


# 1B

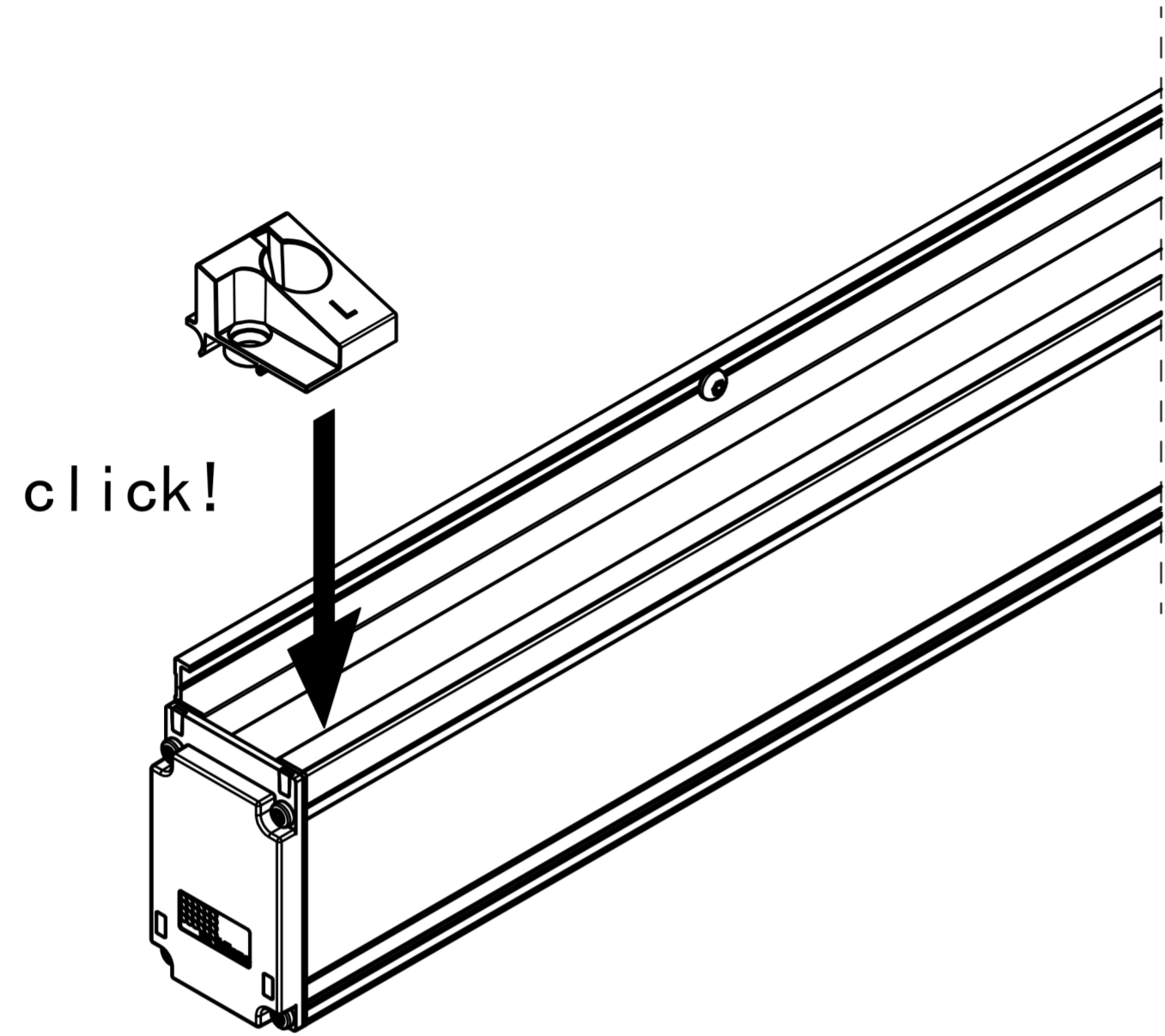
## DRILL PATTERN



2



# 3A

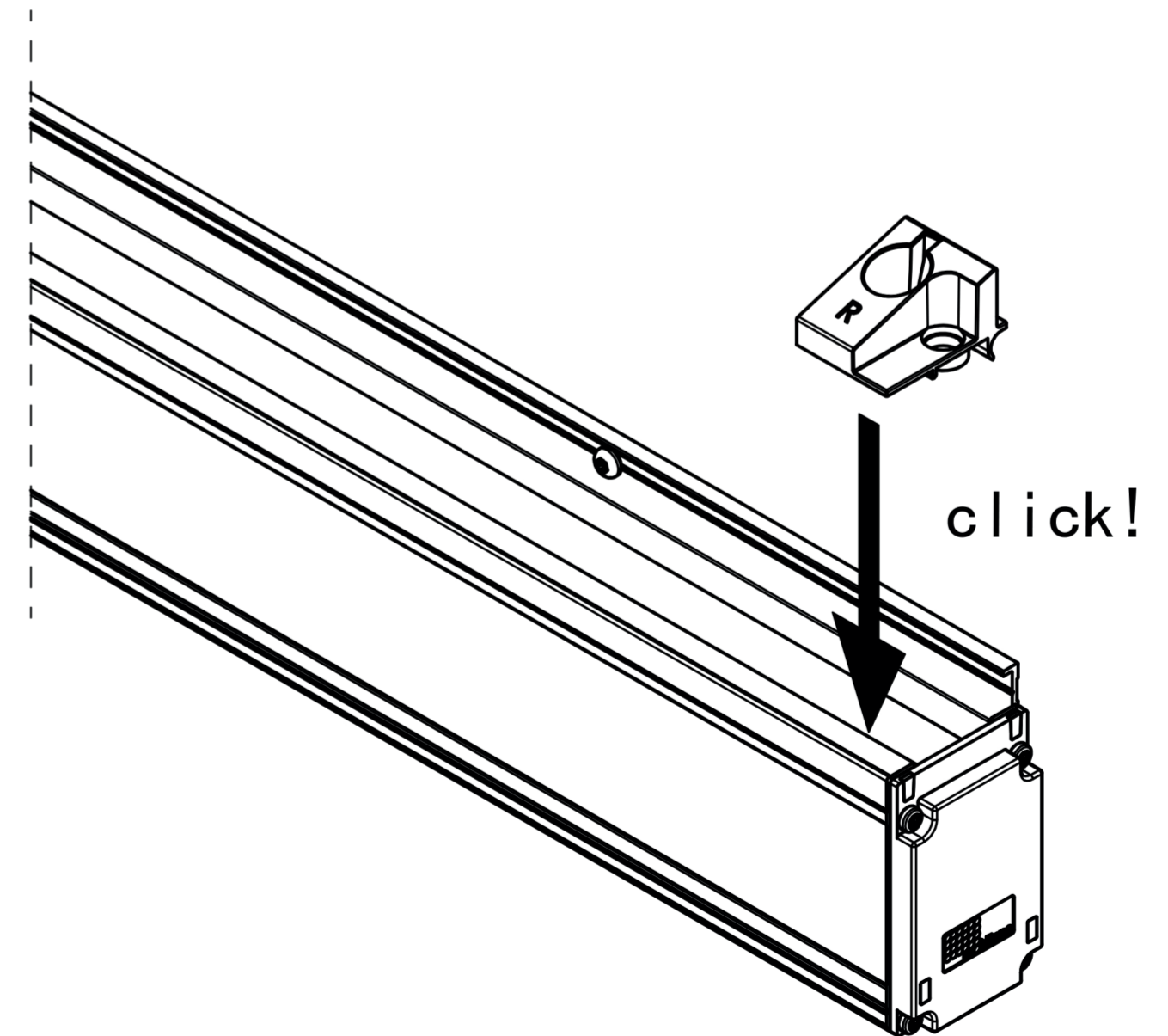
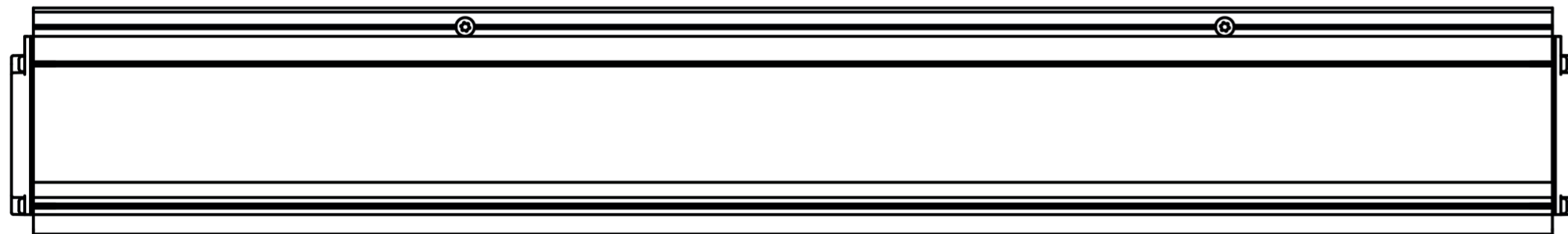
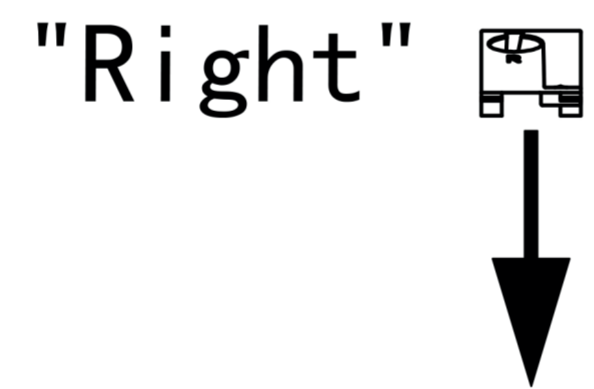


# CHOOSE

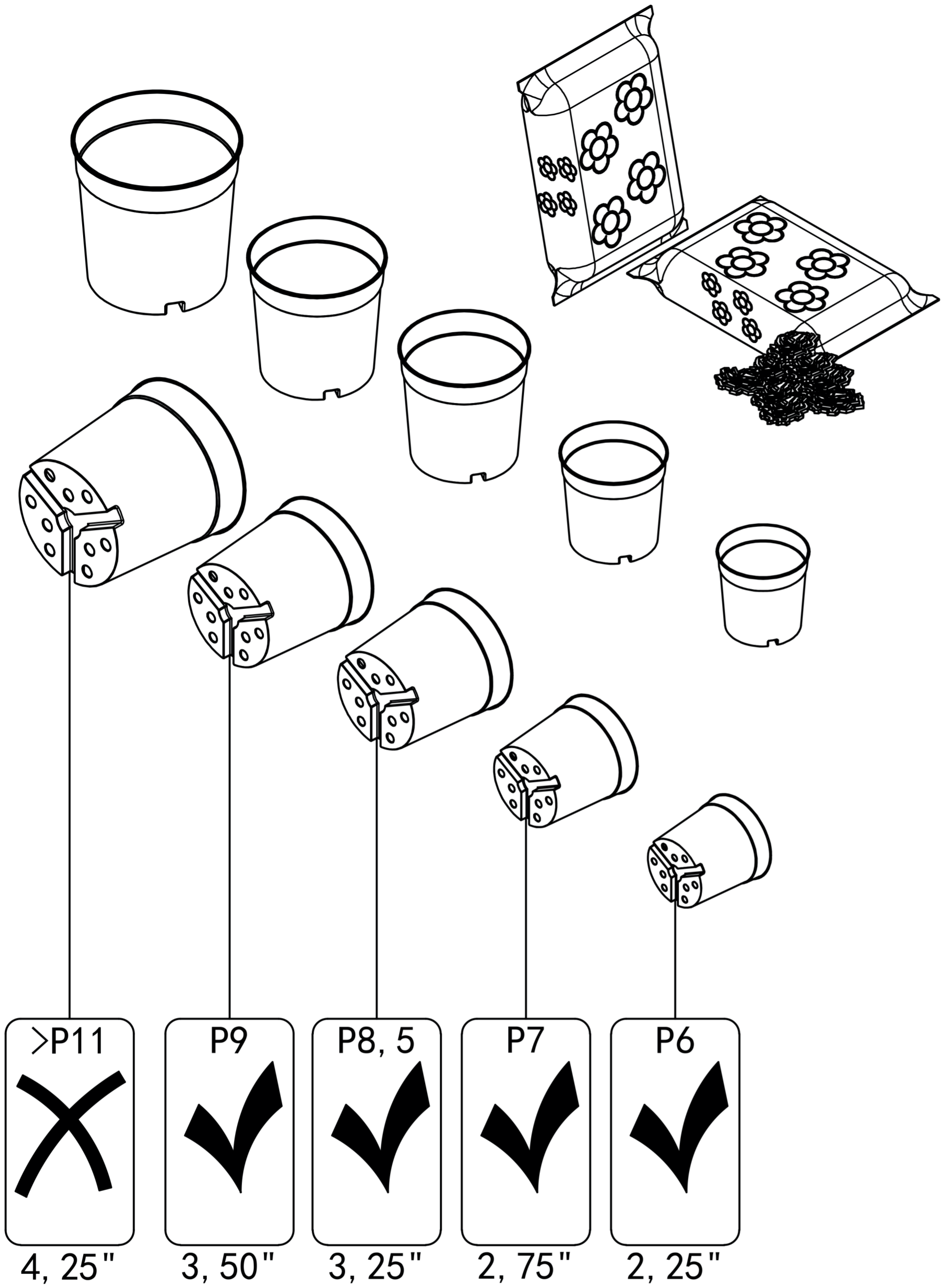
3A: "LEFT" OR 3B: "RIGHT"



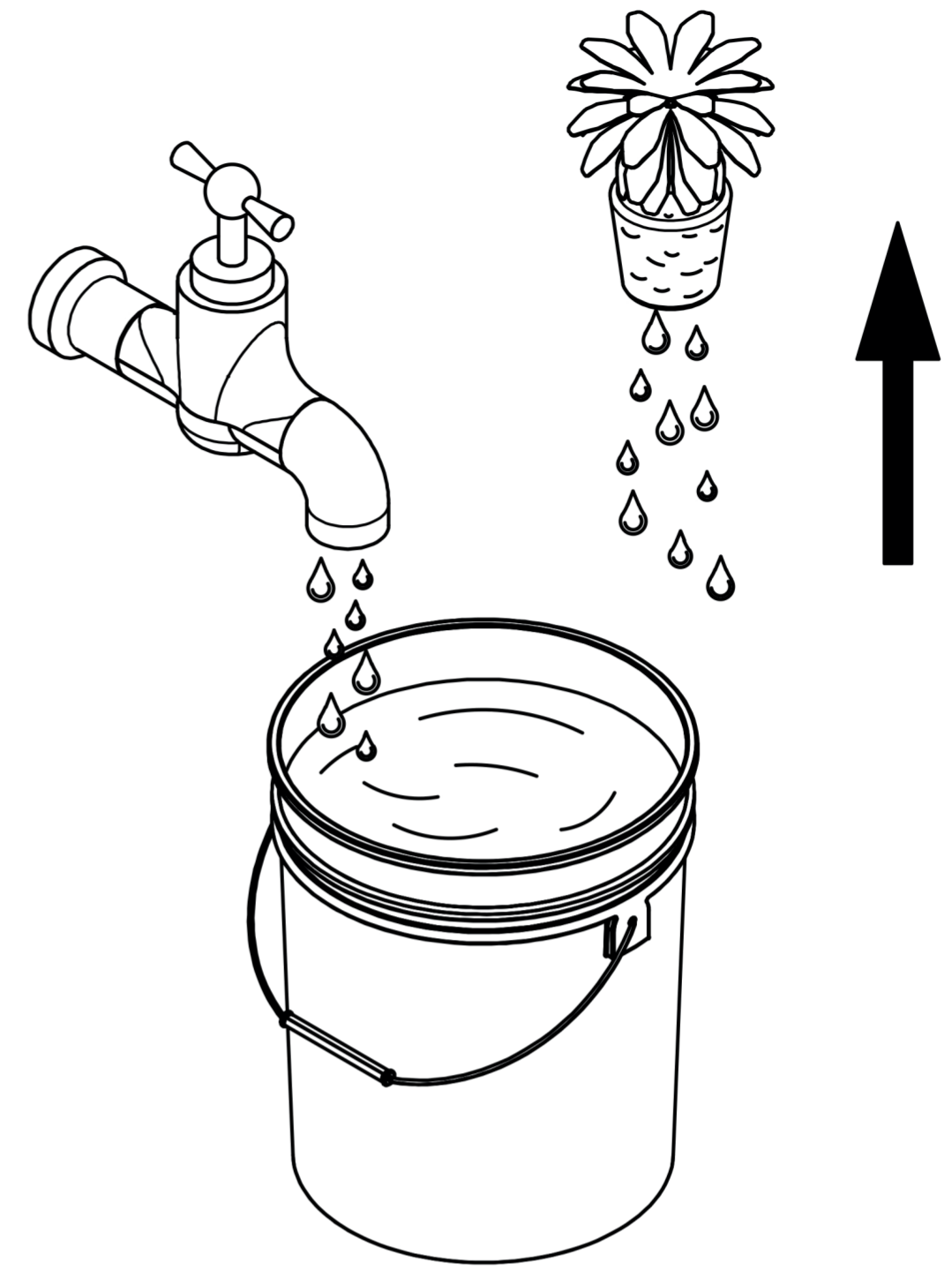
# 3B



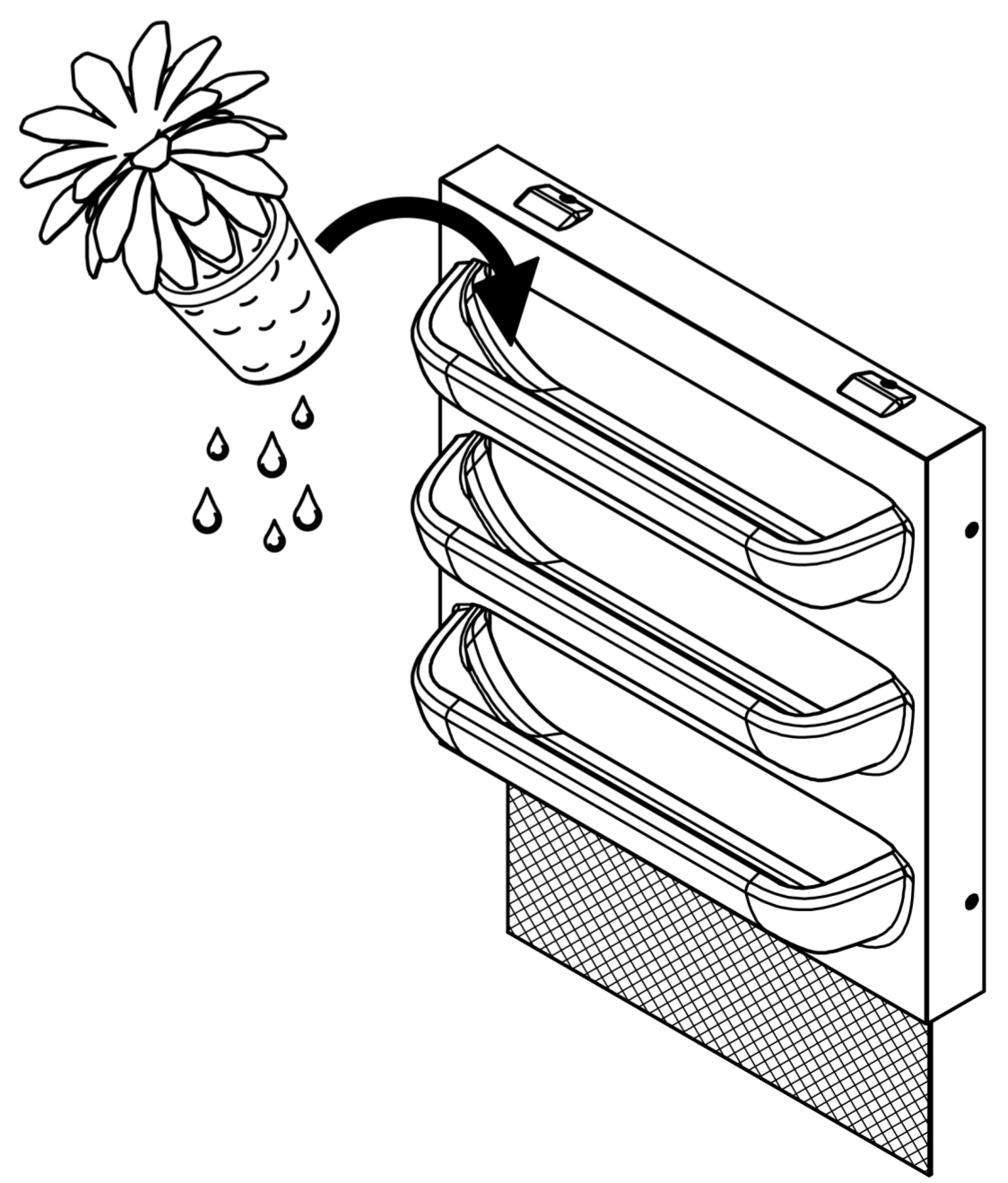
# 4A



# 4B

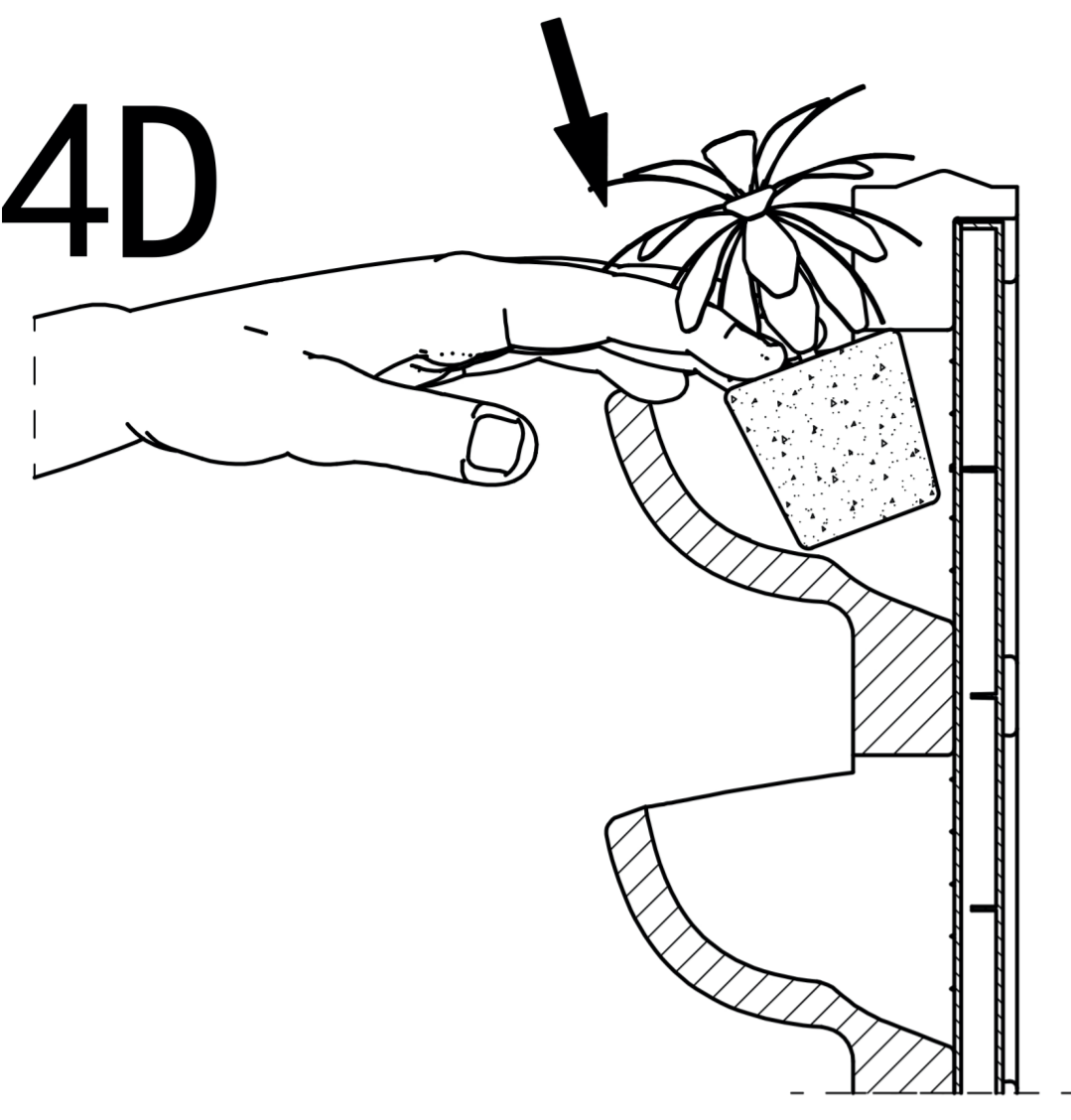


# 4C

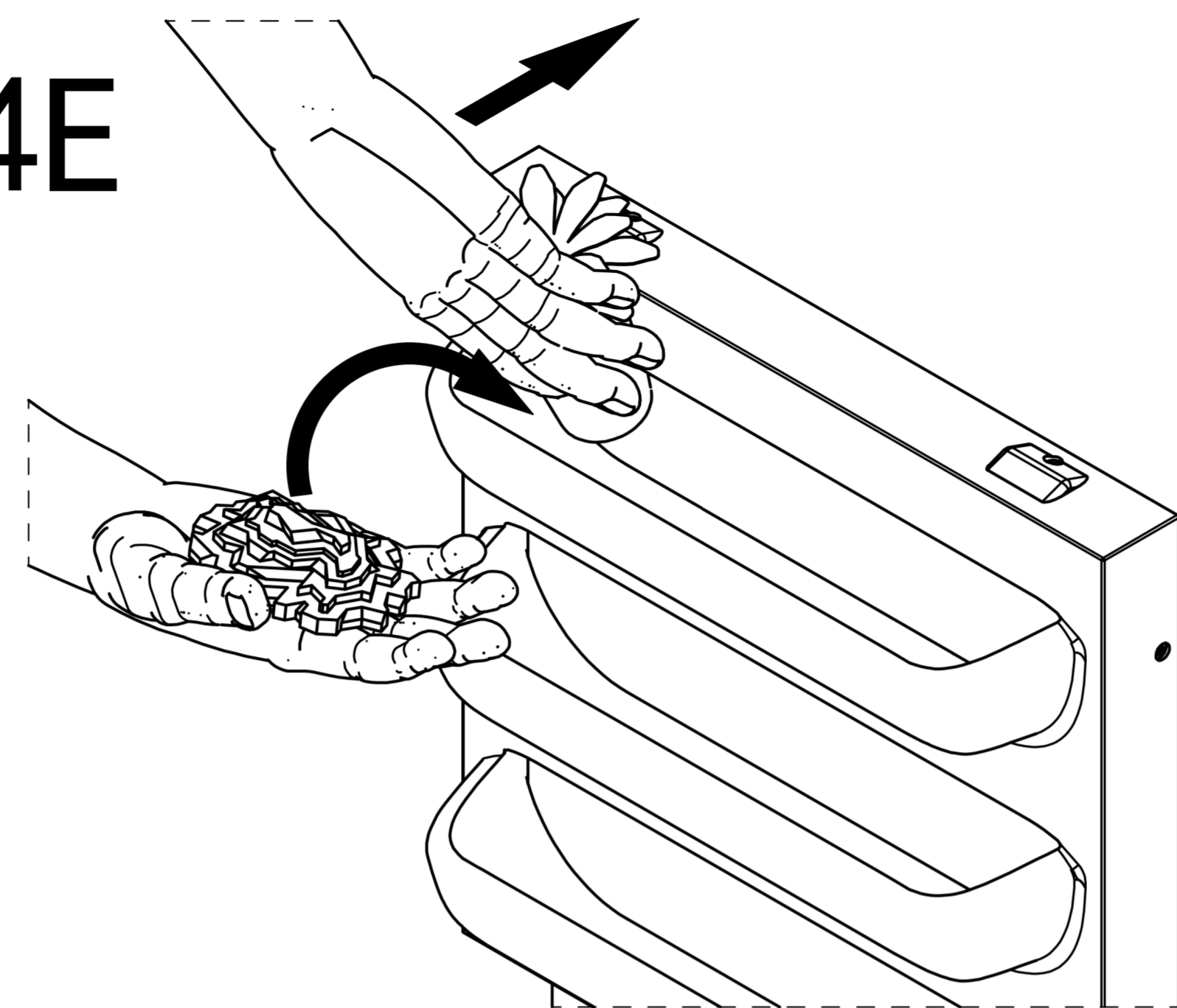




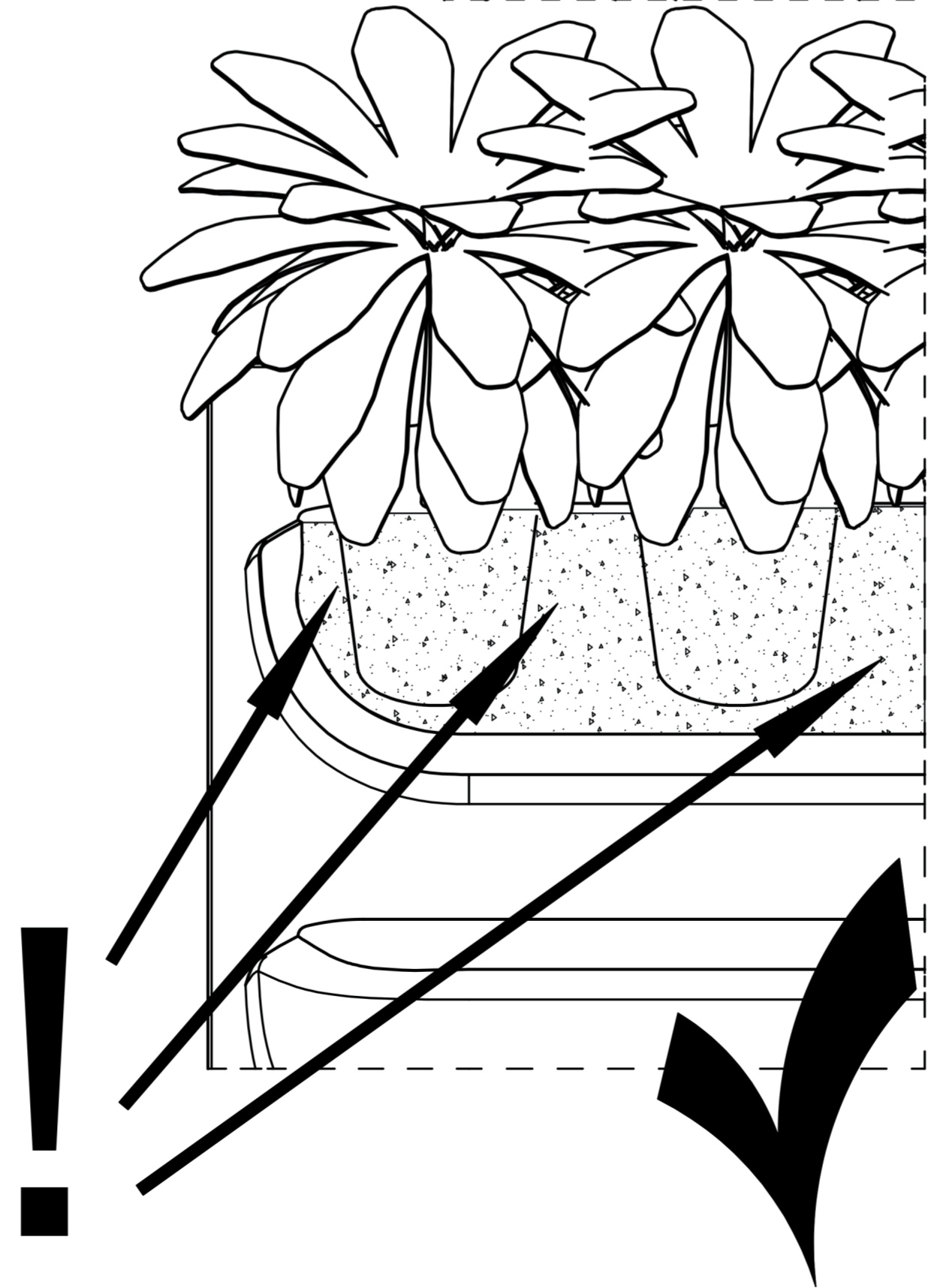
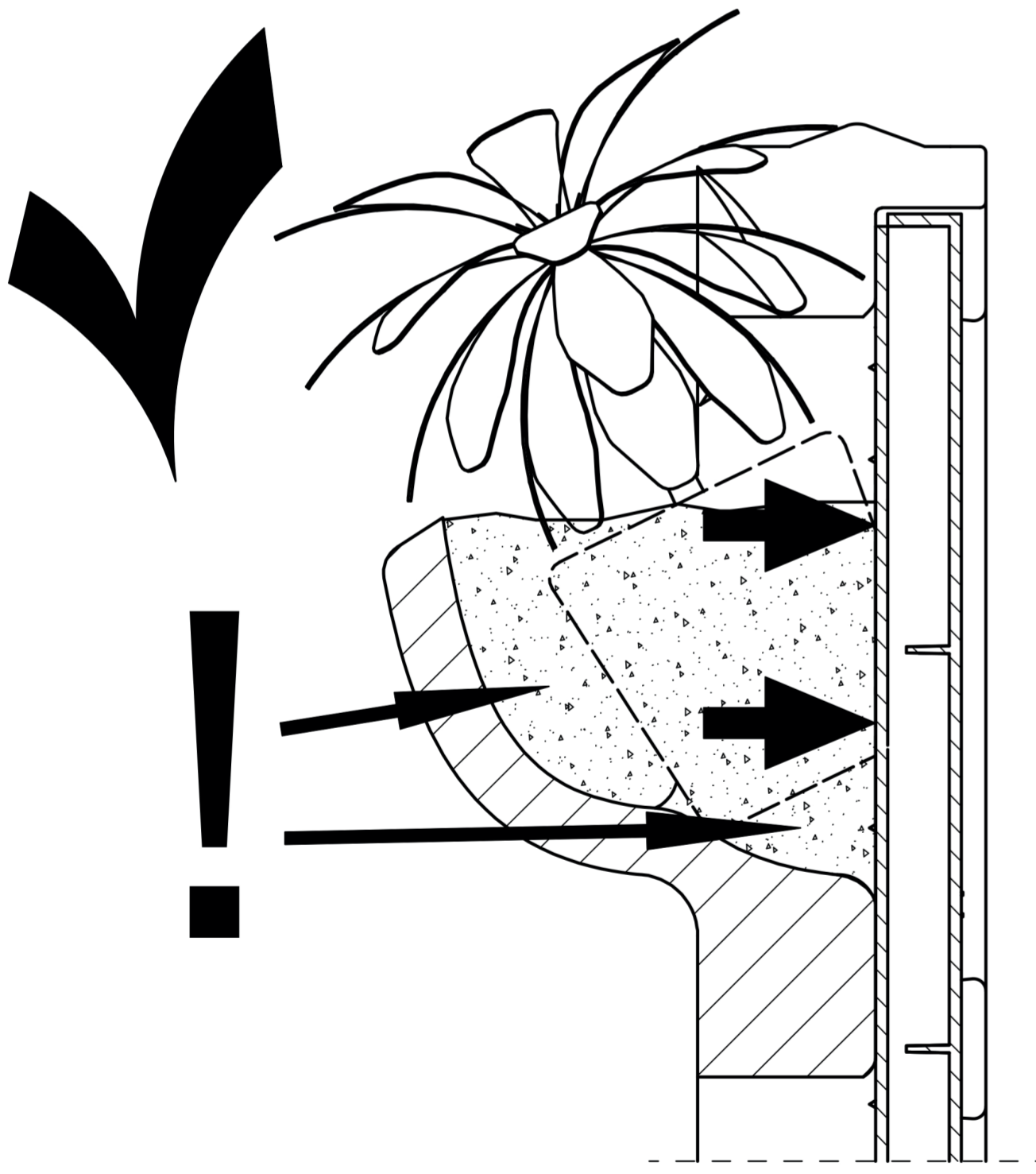
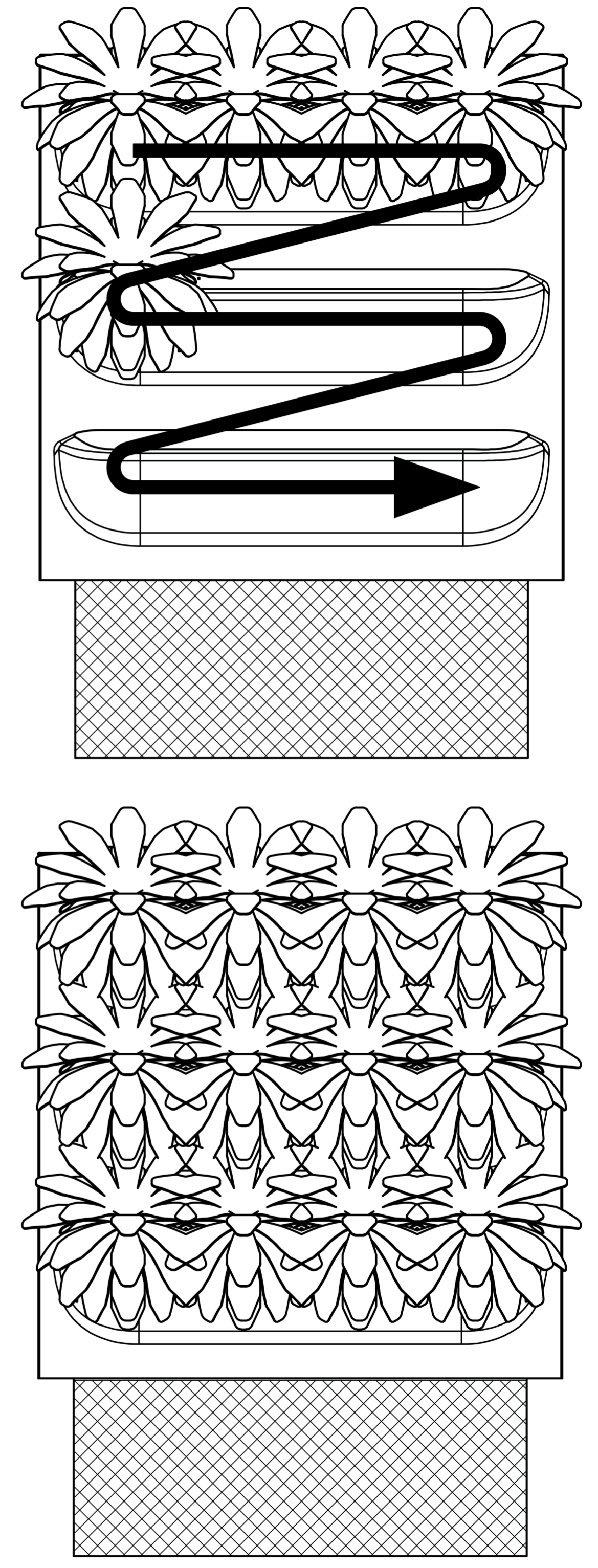
4D



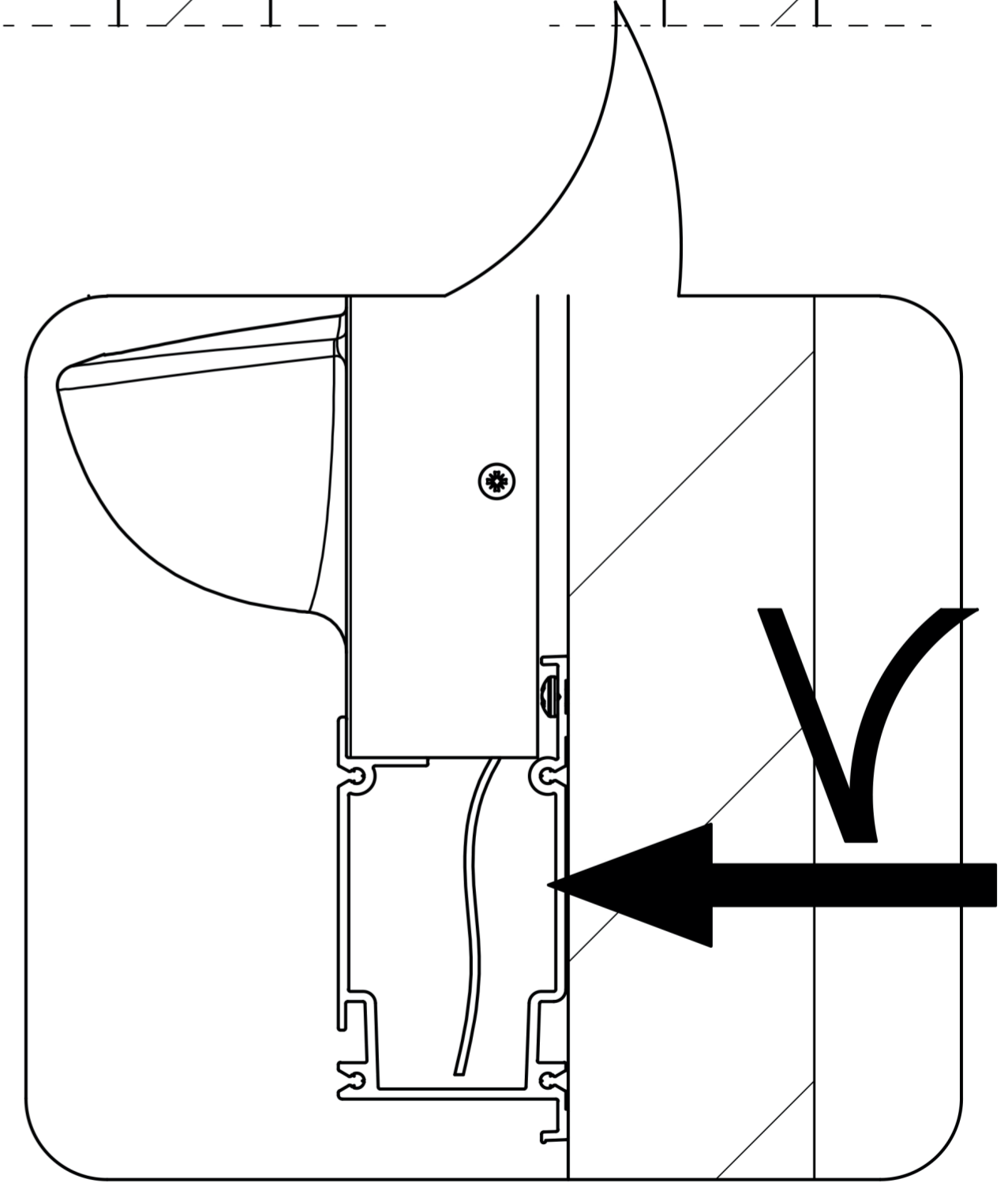
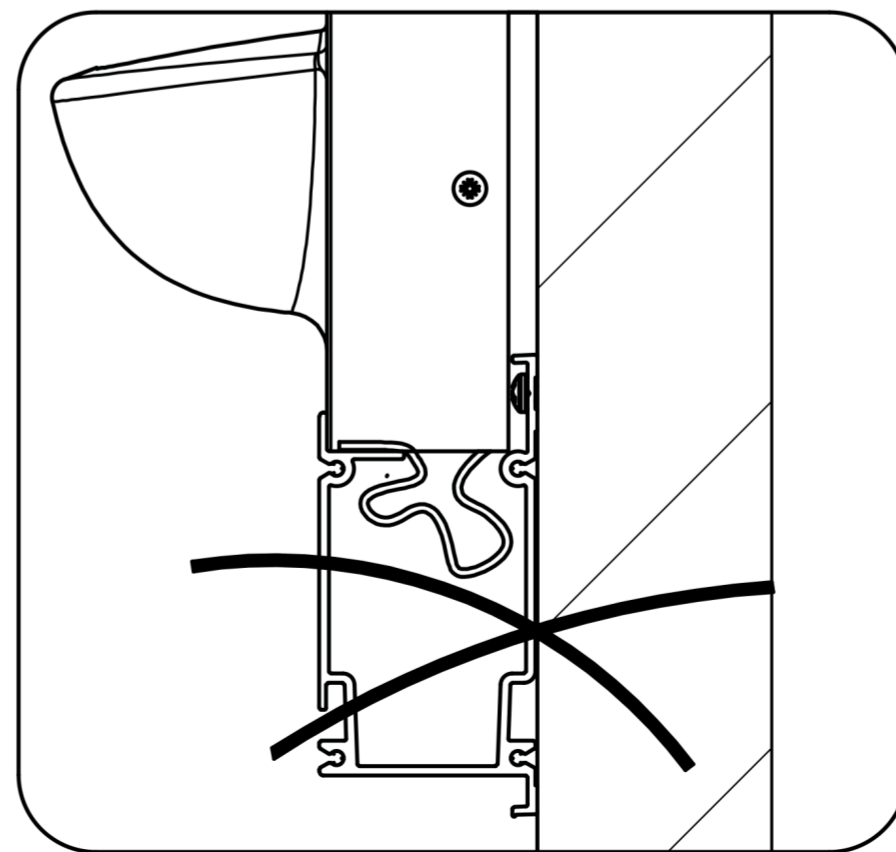
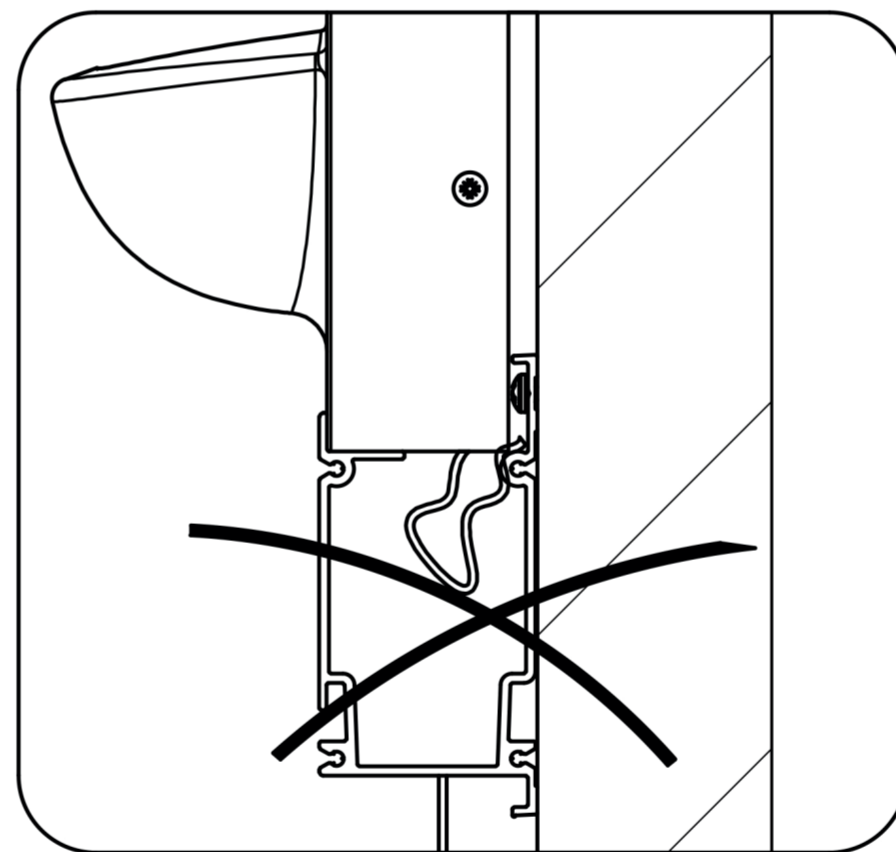
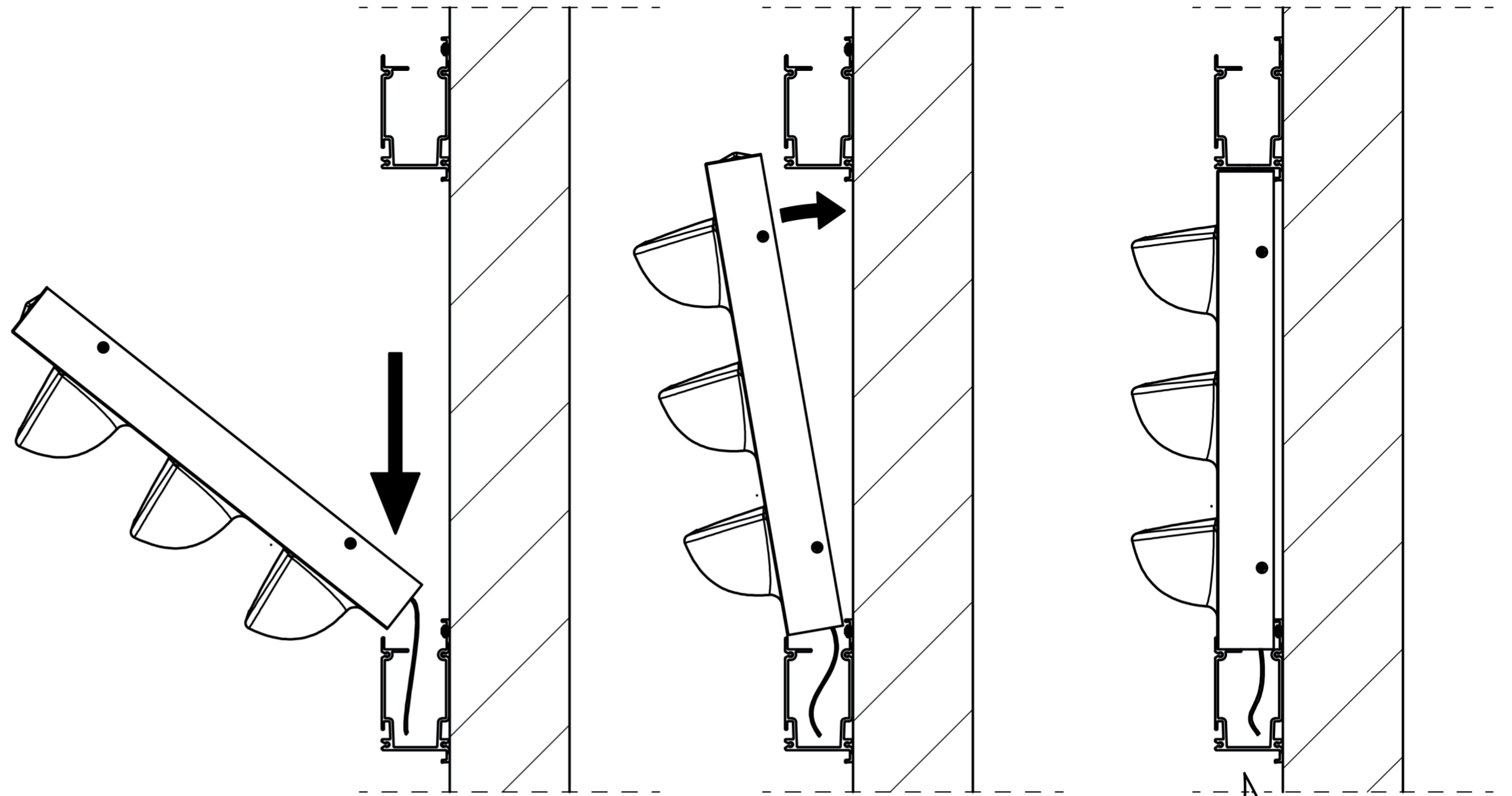
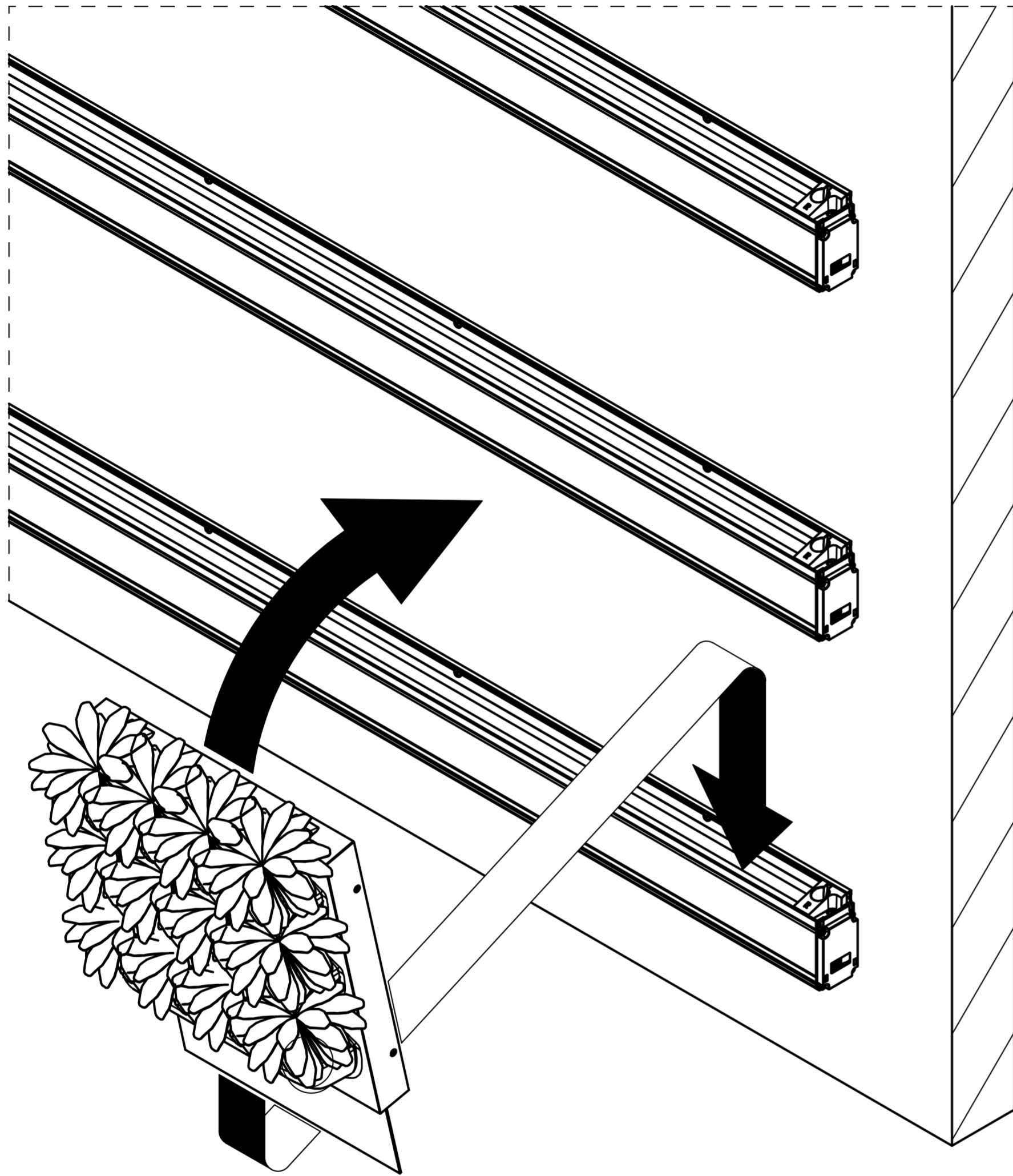
4E



4F



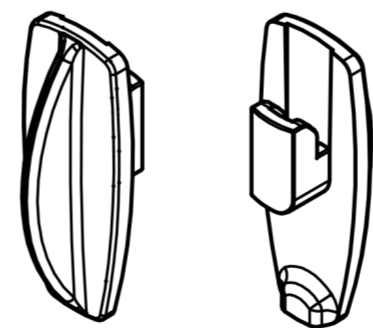
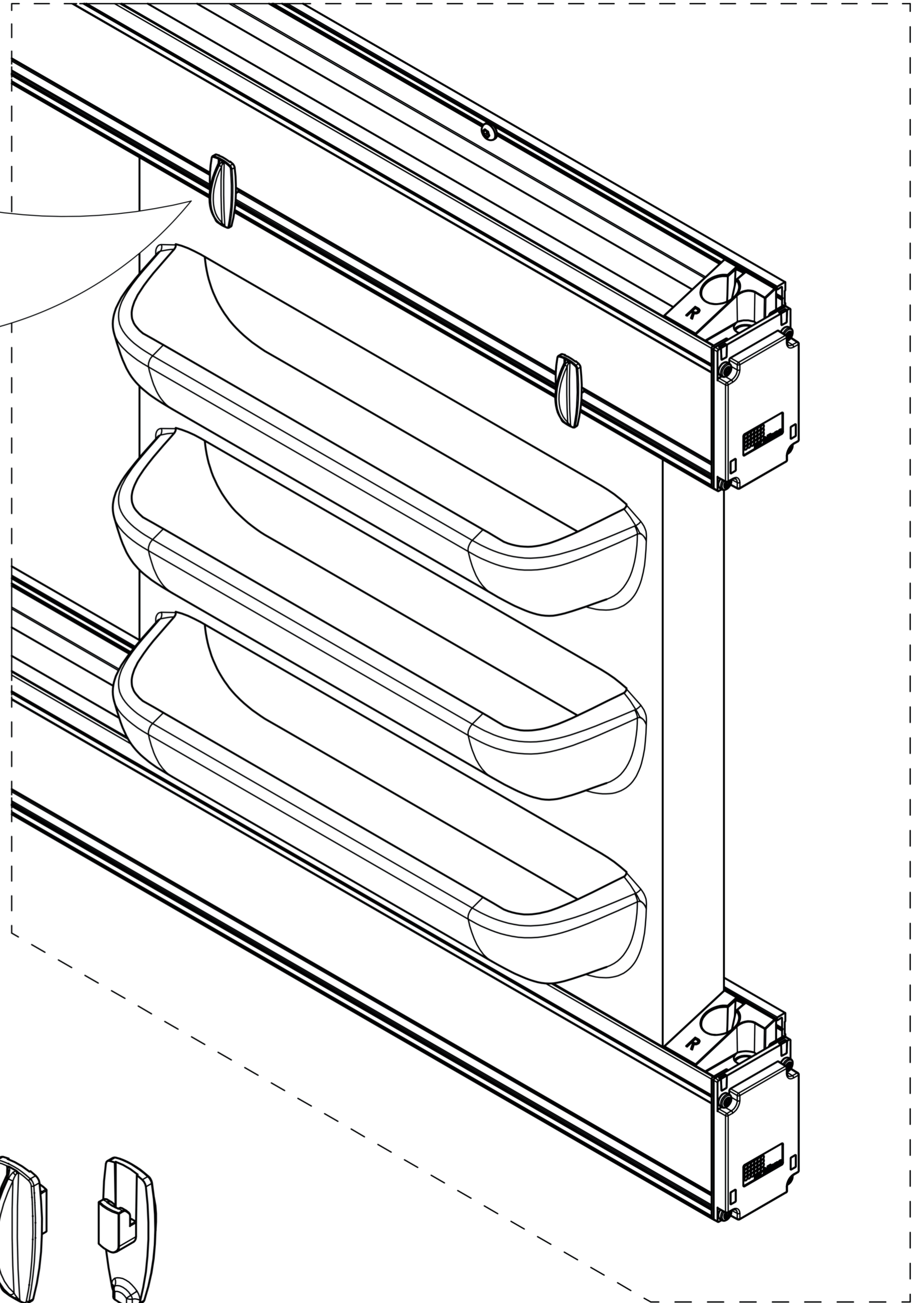
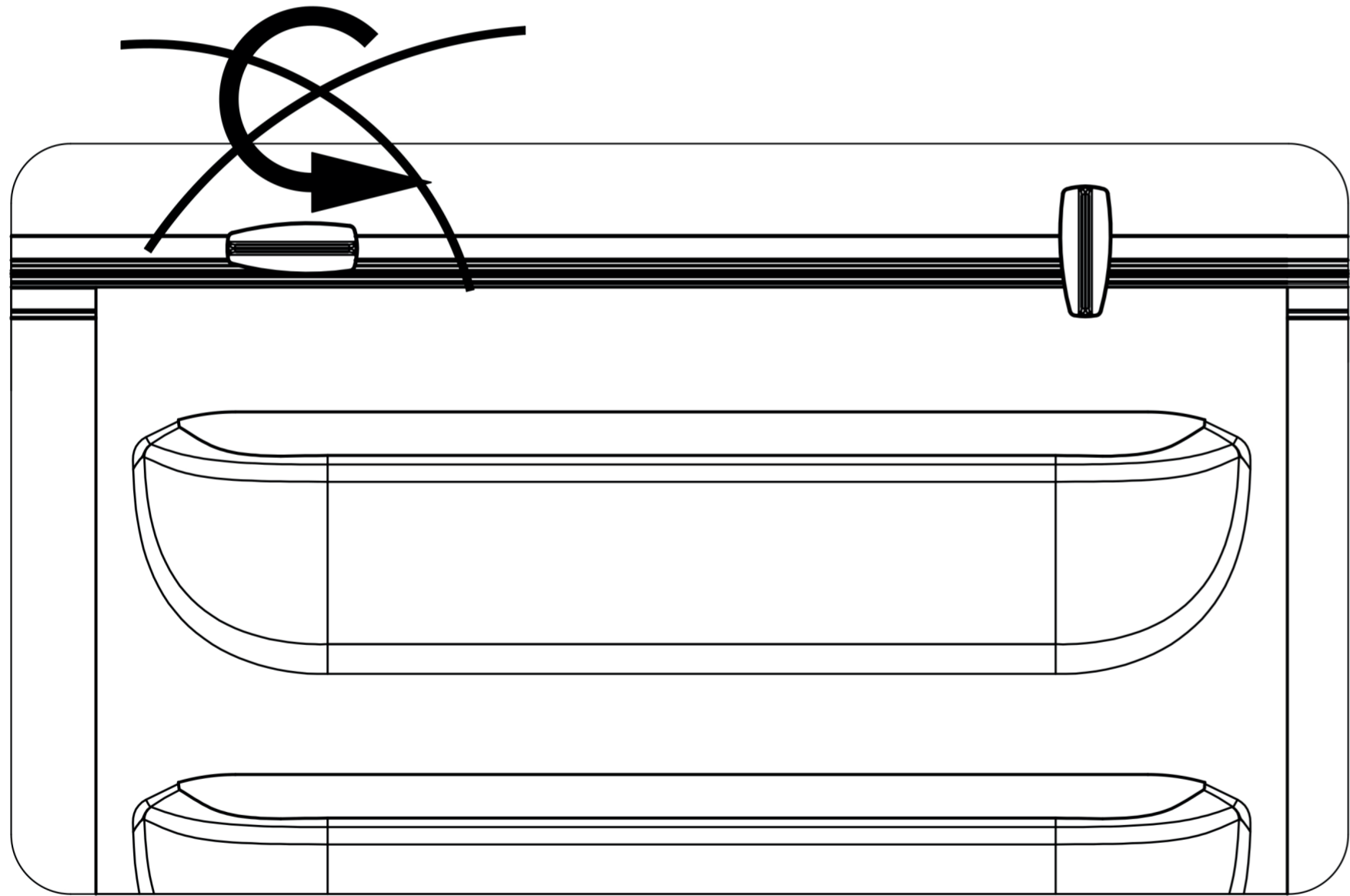
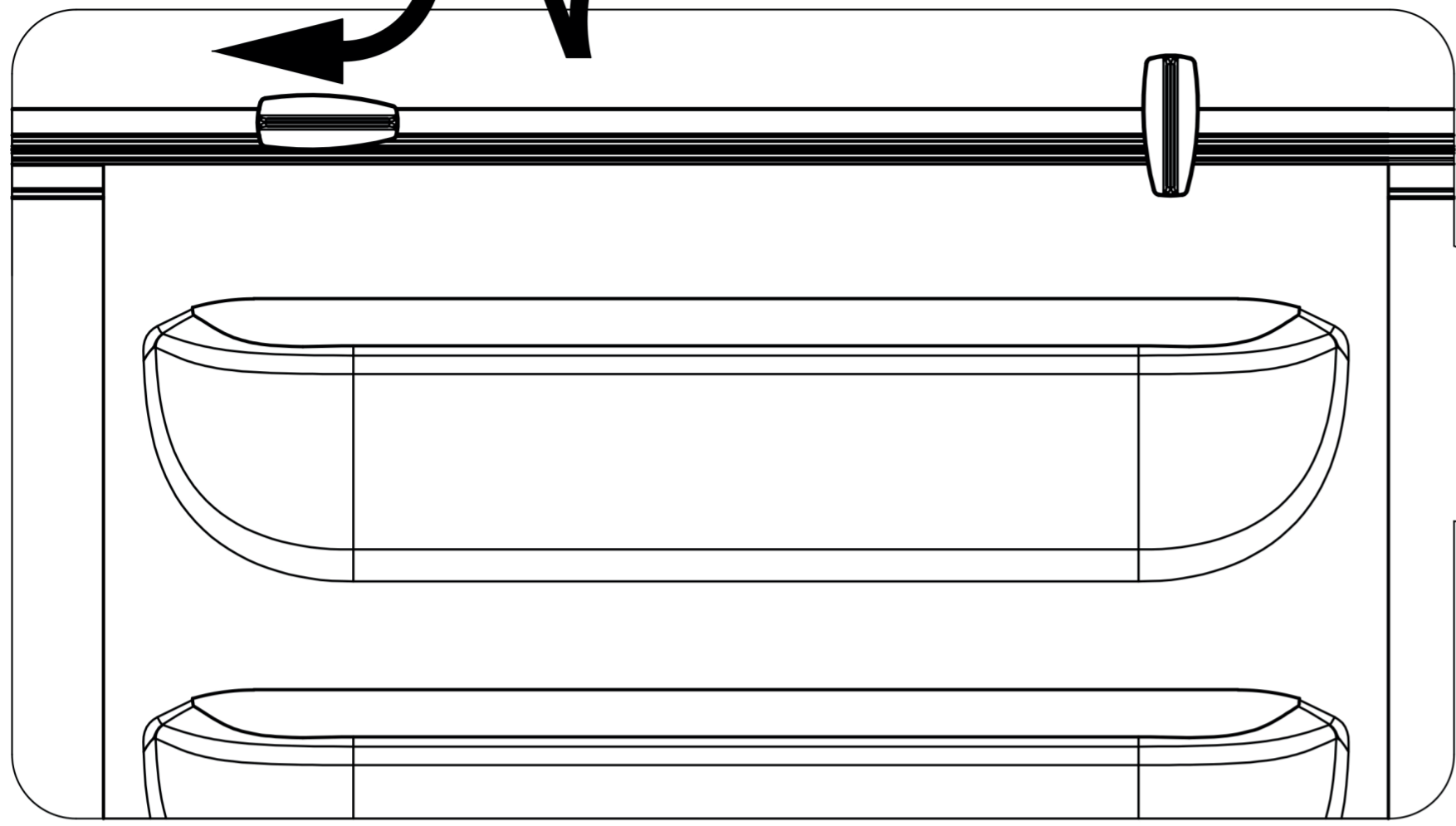
5



**CHECK!**

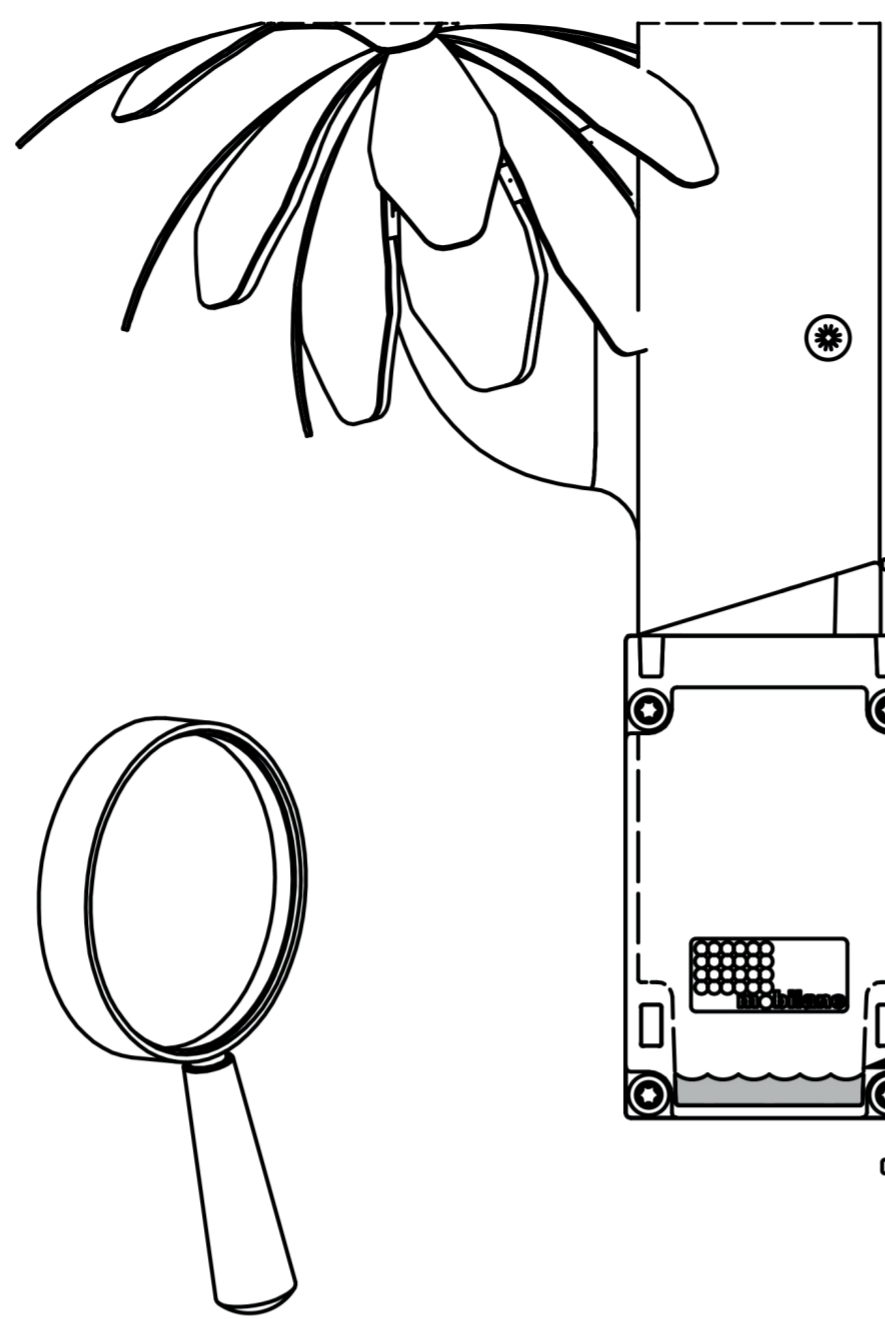
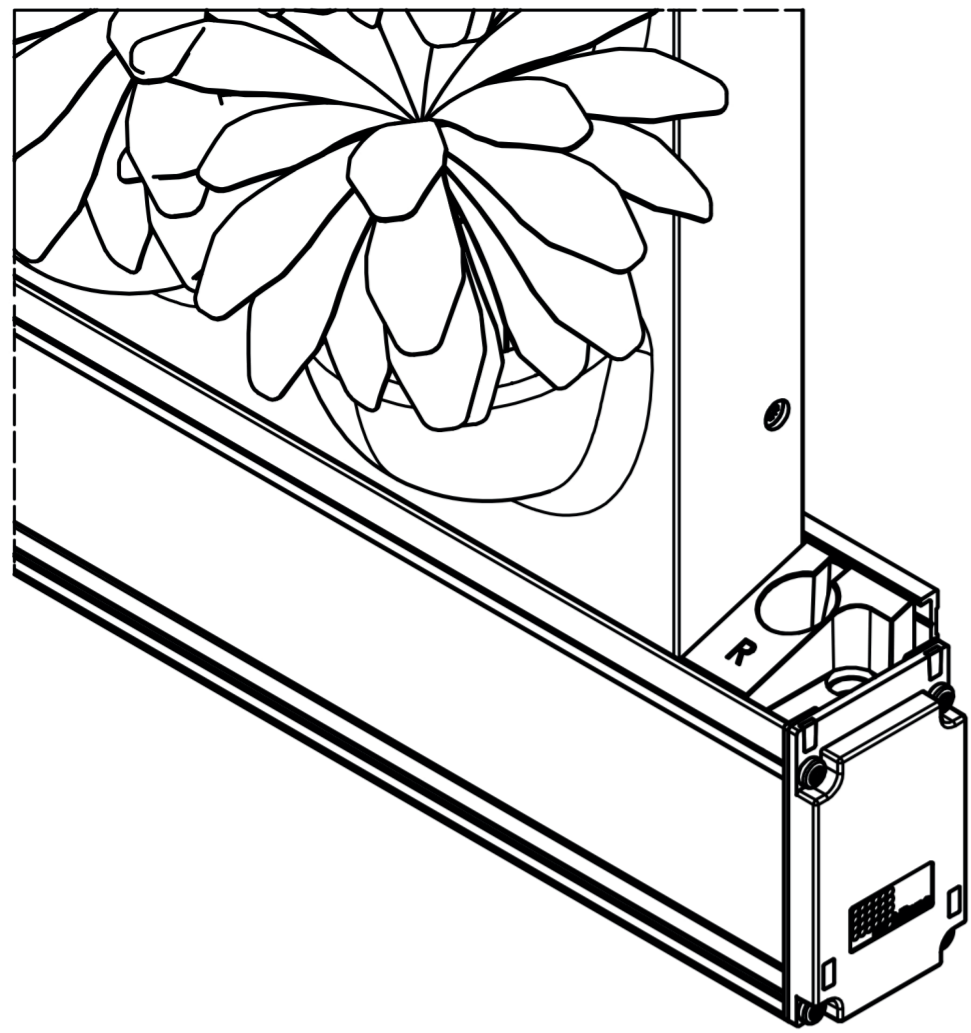
6

click!

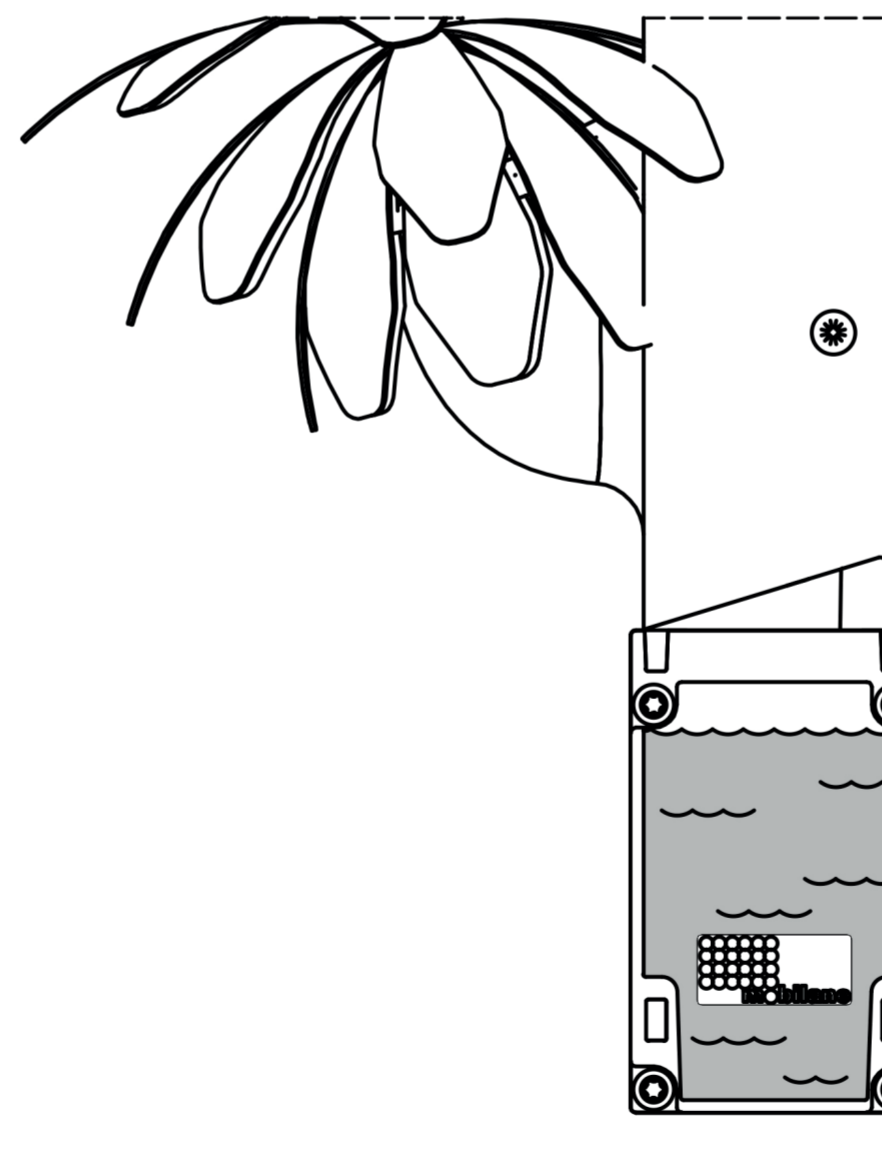
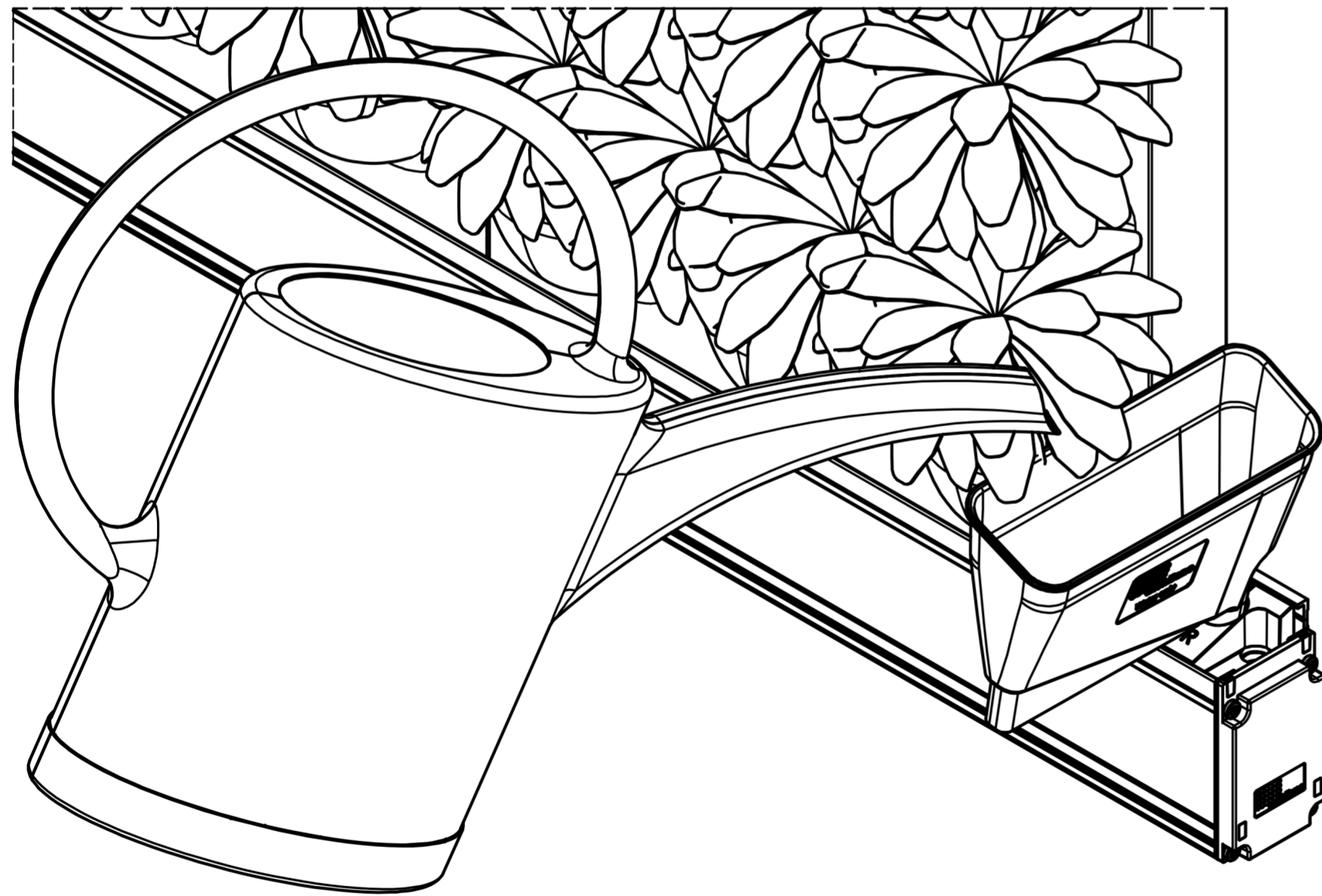
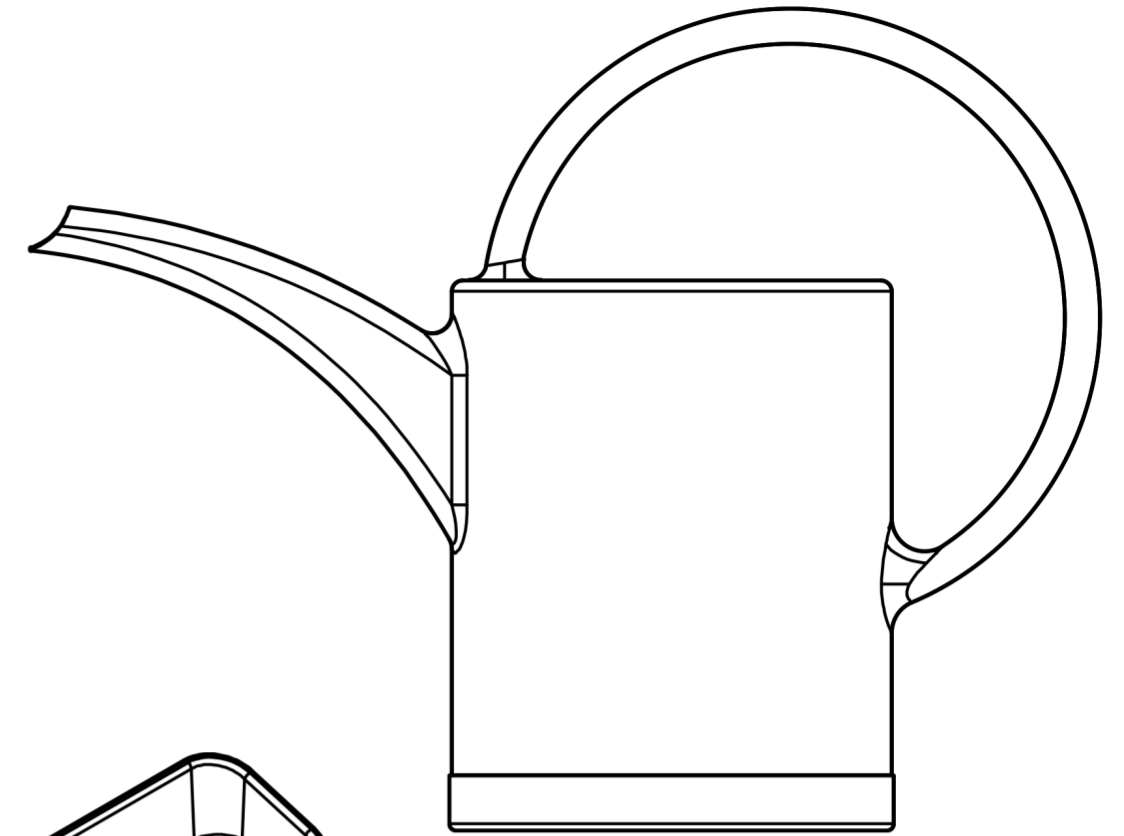
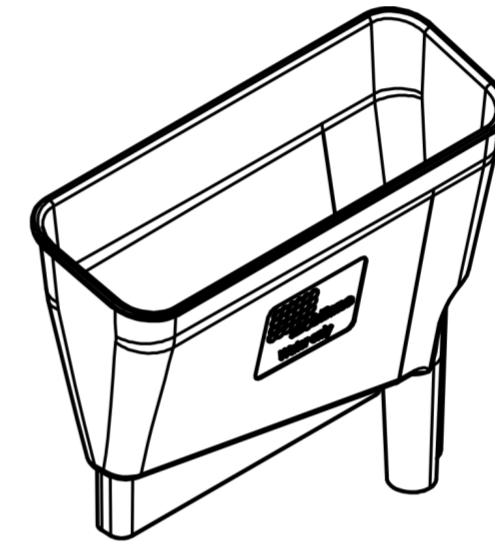
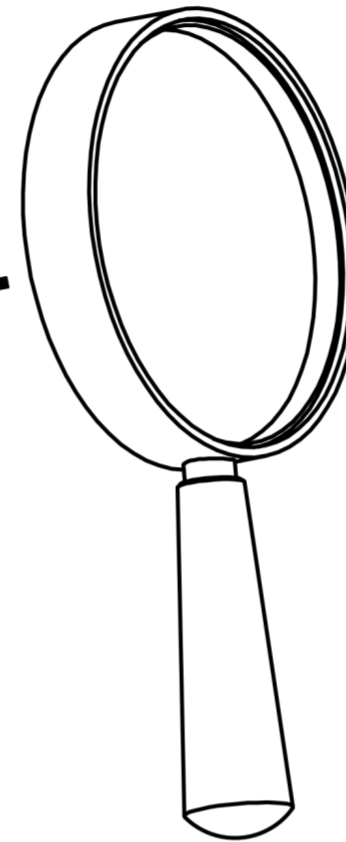


2x

7



! = Fill



! =

