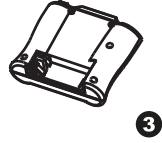
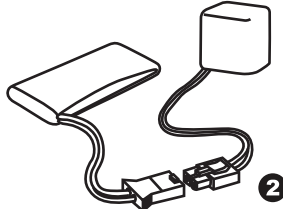
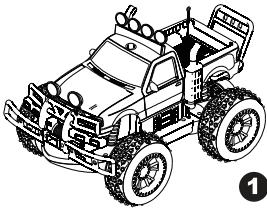




LAND + SEA TRUCK

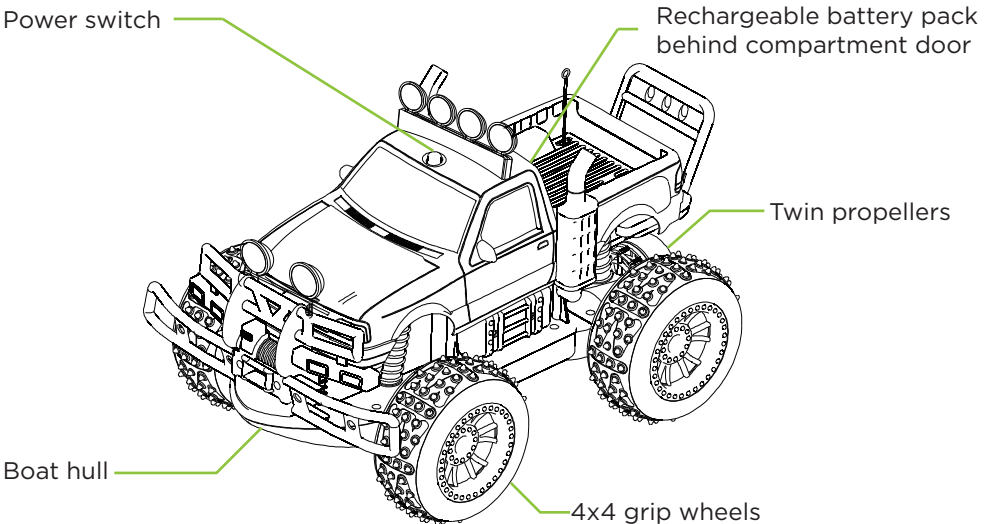
All Terrain Land and Water Stunt Machine



INCLUDED CONTENTS:

1. Land & Sea Truck
2. Rechargeable Battery Pack and Charger
3. Remote Control

COMPONENTS

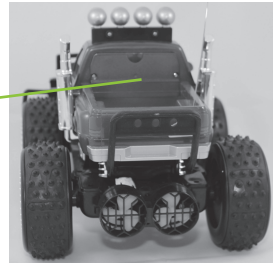


Do not use the unit in salt water. Fresh water use only.

SETTING UP THE LAND & SEA TRUCK

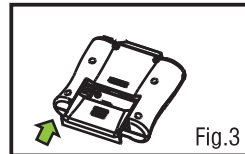
1. Locate the small battery compartment in the back of the truck's cockpit.
2. Turn off the Land & Sea Truck by pushing the power button located on the top of the truck.
3. Unscrew the two Phillips screws to open the battery compartment and remove the rechargeable battery.
4. Connect the rechargeable battery pack to the charging adapter and plug the adapter into a power outlet.
5. It takes approx. 3hrs to fully charge the battery. Once charging is complete reinstall the battery, making sure to reinstall the two phillips screws.

Rechargeable battery pack behind compartment door.



SETTING UP THE REMOTE CONTROL

1. Open the battery compartment of the remote controller by sliding the cover down (Fig. 1).
2. Insert one 1x 9V battery (Fig. 2). Ensure it is inserted correctly, matching the + & - symbols as indicated and replace cover (Fig. 3).



HOW TO CONTROL THE LAND & SEA TRUCK

**Left Wheel
Forward/Reverse
Drive**

**Right Wheel
Forward/Reverse
Drive**



Power Light

TROUBLESHOOTING

Drainage

If water gets into the truck, remove the plug on the bottom of the truck to drain. After draining make sure to replace the plug before use.

Problem	Possible Cause	Solution
Truck moves slowly, doesn't move, or doesn't steer correctly.	Batteries are low or dead. Batteries are installed incorrectly. Loose battery connection. Power switch is off.	Recharge battery. Replace batteries with correct polarity +/- Ensure battery compartment is clean. Turn power switch on.
Erratic operation, loss of control, or short control range.	Radio interference. Weak remote controller battery. Weak vehicle battery.	Move to another location away from source of interference. Replace controller battery. Recharge vehicle battery.
Vehicle stops working after operating in water or snow.	Water in battery, electronics or motor areas.	Turn off power and remove all batteries. Remove drain plug on bottom of truck. Allow truck to dry for at least 12 hours with battery door removed before using.
Battery life is short.	Battery not fully charged. Battery pack is aged and has limited capacity.	Recharge battery pack. Order replacement new battery pack.

TECHNICAL SPECIFICATIONS

RunTime: 20 Mins. +

Charging Time: 3 hours

Controller Distance: up to 50ft

Do not use the unit in salt water. Fresh water use only.



For Customer Service please email:
Care@OdysseyToys.com

Please note the units model number and name in your email:
Model no. ODY-1024 • Land & Sea Truck

Extra Parts Available! Visit Odyssey online to order:
• Extra Batteries

www.OdysseyToys.com

CAUTIONS & WARNINGS

- Suitable for ages 8 and up. Adult supervision is always recommended.
- This product contains small parts which are a choking hazard. Keep away from small children.
- This product uses a Ni-Cd battery which will fully discharge very quickly after the truck's operation slows down. Take caution that the truck is not far from land when the battery begins to fully discharge.
- Manufacturers and dealers disclaim all responsibility for damage caused by misuse.
- Keep hands, hair and loose clothing away from wheels & propellers when powered on to prevent damage to the vehicle or serious injury to oneself or others around.
- For best performance fully discharge the battery before recharging.
- Never leave the device unattended when being charged.
- Only use the supplied NiCd battery with this toy.
- Only use the supplied charger with standard household 115v outlets.
- Remove all batteries before storage.
- If the battery is hot after use, wait 20 minutes for the battery to cool before charging.

CARE & MAINTENANCE

- Do not use the unit in salt water. Fresh water use only.
- Keep the unit dry when not in use.
- Do not fully submerge the unit.
- Disconnect the unit from USB power source when not in use.
- Do not place the unit near powerful, un-shielded magnets.
- Do not expose the unit to extreme hot or cold temperatures.
- Do not hit, drop, or smash the unit with extreme force.
- Do not disassemble the unit for any reason.

NOT FOLLOWING THESE PRECAUTIONS WILL VOID YOUR WARRANTY.

This device complies with part 15 of the FCC Rules. Operation is subject to the following two conditions: (1) This device may not cause harmful interference, and (2) this device must accept any interference received, including interference that may cause undesired operation.

MADE IN CHINA

