

# PRODUCT CATALOGUE 2019 - 2020





2 FUNCTIONS



4 FUNCTIONS



6 FUNCTIONS



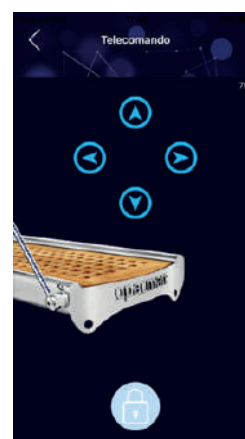
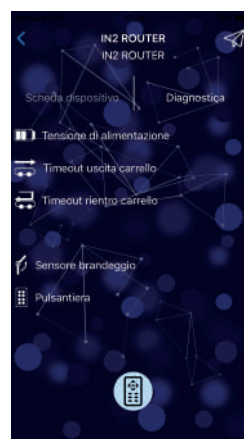
Opacmare® presents the new generation of two, four and six functions remote controls. Practical and safe, they stand out for the neat and elegant design. Made in 2014.

**OPACMARE® APP  
OPTIONAL**



Opacmare® presents the new application for IOS and Android smartphones. It is suitable for moving the gangways and running a diagnostic of main breakdowns.

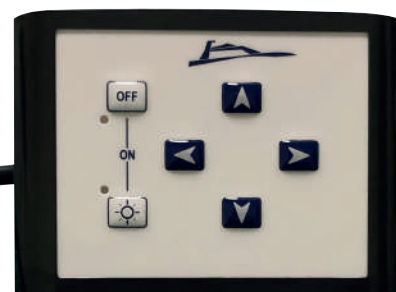
The smartphone is connected to the gangway via Bluetooth.



**“EASY” OPACMARE® ELECTRONIC UNIT**



**OPTIONAL**



**STANDARD**

Totally innovative electronic units, with reliable and tested software, able to comply with any particular functionality need.

They are handy and functional, thanks to the easy connection of the peripherals and so compact as to be installed even on the hydraulic units.

In picture 6C Electronic Unit.

Hydraulic or manual telescopic gangways, ideal for small sailing and motor boats. Made of recycled aluminium and painted with water-based products, these gangways are eco-friendly. They are supplied with teak gratings and load-bearing patented aluminium beam; they have lifting capacities ranging between 110 and 250 kg. All aluminium gangways in our catalogue allow the boarding of 120 kg. maximum (one person at a time).

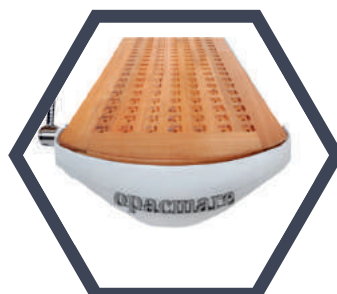
**model 3333 - Ecodolphin**

Functional and safe, this gangway can be manually extended and easily folded; it is very compact in order to be stowed in limited space.

It is available in four lengths, from 1,50 to 2,60 m. with weights ranging from 15 to 22 kg.

It can be supplied with manual stanchions, front wheels and quick fit transversal pin.

It allows the boarding of 120 kg. maximum (one person at a time).



**model 3443 - Mini Dolphin**

One-section gangway with manual stanchions on port side. It is available in four lengths, from 1,60 to 2,60 m. and has been designed for tender lifting with maximum capacity at 160 kg.



**model 3773 - Dolphin**

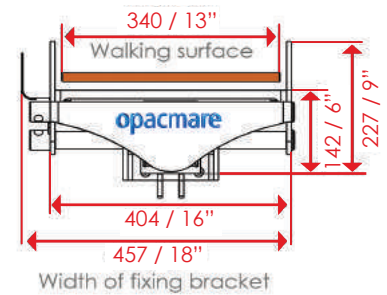
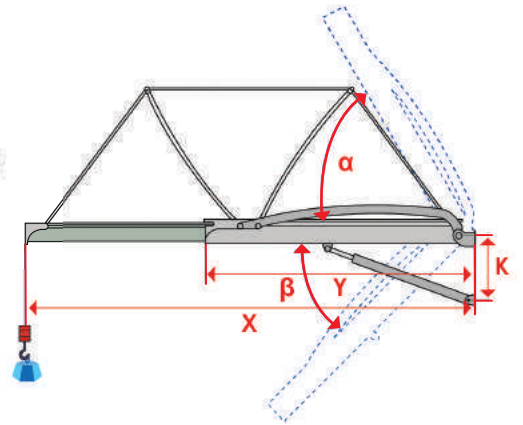
Telescopic two-sections gangway supplied with automatic stanchions on port side.

It is available in three lengths, from 1,90 to 2,60 m. and has been designed for tender lifting with loading capacity ranging from 150 to 200 kg.



**model 3883 - Maxi Dolphin**

Telescopic two-sections gangway supplied with automatic stanchions on port side. It is available in three lengths, from 2,30 to 3 m. and has been designed for tender lifting with loading capacity ranging from 150 to 250 kg.



MODEL	X (mm/inch)	Y (mm/inch)	K (mm/inch)	$\alpha$	$\beta$	Loading capacity standard (Kg/lbs)	Weight (Kg/lbs)
3333/15	1565/62"	880/35"					15/35
3333/19	1910/75"	1160/48"					18/40
3333/23	2310/91"	1410/56"					20/45
3333/26	2610/103"	1565/62"					22/50
3443/16	1670/66"		300/11 $\frac{4}{5}$ "	45°	40°	160/350	26/60
3443/19	1995/79"		300/11 $\frac{4}{5}$ "	45°	40°	160/350	32/70
3443/23	2310/91"		300/11 $\frac{4}{5}$ "	45°	40°	160/350	38/85
3443/26	2595/102"		300/11 $\frac{4}{5}$ "	45°	40°	110/250	42/95
3773/19	1900/75"	1180/47"	300/12"	45°	40°	200/400	62/140
3773/23	2380/93"	1480/58"	300/12"	45°	40°	170/380	70/155
3773/26	2630/104"	1595/63"	300/12"	45°	40°	150/330	83/185
3883/23	2380/94"	1480/58"	300/12"	45°	40°	250/550	84/185
3883/26	2630/104"	1595/63"	300/12"	45°	40°	200/440	86/190
3883/29	2945/116"	1745/68"	300/12"	45°	40°	150/330	90/200





**model 3453 - Mini Dolphin Twister**

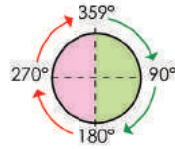
Aluminium gangway with rotating turret and one section which can be oriented. It is supplied with manual stanchions on port side and is available in three lengths (from 1,50 to 2,40 m.). It allows the boarding of 120 kg. maximum (one person at a time).

**model 3893 - Maxi Dolphin Twister**

Aluminium gangway with rotating turret, one section which can be oriented (+ 20° / - 22°) and one telescopic section. It is supplied with automatic stanchions on port side and is available in three lengths (from 2,80 to 3,30 m.). It allows the boarding of 120 kg. maximum (one person at a time).

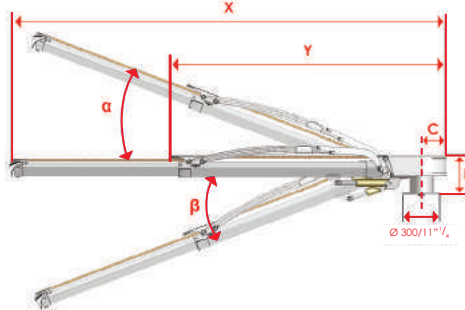
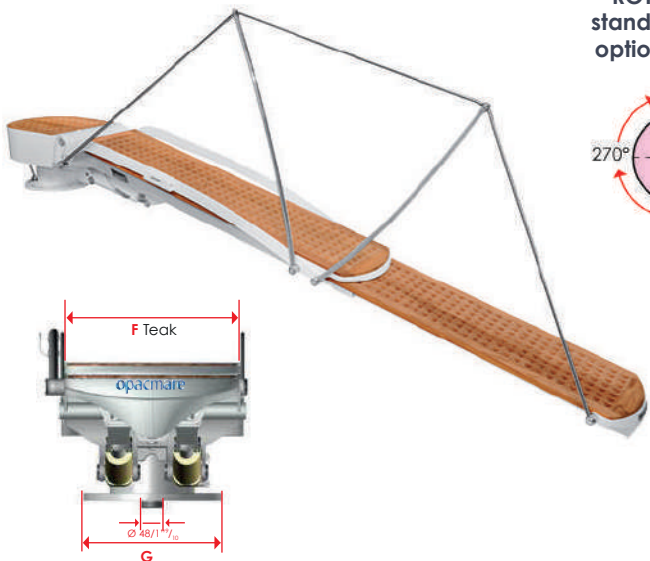


**ROTATION**  
standard 180°  
optional 359°



**model 3893S - Maxi Dolphin Twister**

Aluminium gangway with rotating turret and two hydraulic sections, first section can be oriented (+ 40° / - 22°). It is supplied with automatic stanchions on port side and is available in three lengths (from 2,80 to 3,30 m.), with loading capacities ranging from 150 to 250 kg.



MODEL	X (mm/inch)	Y (mm/inch)	C (mm/inch)	E (mm/inch)	F (mm/inch)	G (mm/inch)	α	β	Loading capacity standard (Kg/lbs)	Rotation standard	Rotation optional	Weight (Kg/lbs)
3453/15	1560/61"		190/7 <sup>1</sup> / <sub>2</sub>	247/9 <sup>13</sup> / <sub>4</sub>	360/14 <sup>1</sup> / <sub>5</sub>	382/15"	25°			180°		74/160
3453/20	2010/79"		190/7 <sup>1</sup> / <sub>2</sub>	247/9 <sup>13</sup> / <sub>4</sub>	360/14 <sup>1</sup> / <sub>5</sub>	382/15"	25°			180°		81/180
3453/24	2405/95"		190/7 <sup>1</sup> / <sub>2</sub>	247/9 <sup>13</sup> / <sub>4</sub>	360/14 <sup>1</sup> / <sub>5</sub>	382/15"	25°			180°		88/195
3893/28	2790/110"	1890/74"	205/ 8 <sup>1</sup> / <sub>8</sub>	225/ 8 <sup>11</sup> / <sub>13</sub>	360/ 14 <sup>1</sup> / <sub>5</sub>	470/ 18 <sup>1</sup> / <sub>2</sub>	20°	22°		180°/180°	359°/359°	119/262
3893/30	3040/120"	2005/79"	205/ 8 <sup>1</sup> / <sub>8</sub>	225/ 8 <sup>11</sup> / <sub>13</sub>	360/ 14 <sup>1</sup> / <sub>5</sub>	470/ 18 <sup>1</sup> / <sub>2</sub>	20°	22°		180°/180°	359°/359°	123/271
3893/33	3355/132"	2155/85"	205/ 8 <sup>1</sup> / <sub>8</sub>	225/ 8 <sup>11</sup> / <sub>13</sub>	360/ 14 <sup>1</sup> / <sub>5</sub>	470/ 18 <sup>1</sup> / <sub>2</sub>	20°	22°		180°/180°	359°/359°	128/282
3893S/28	2790/110"	1890/74"	205/ 8 <sup>1</sup> / <sub>8</sub>	225/ 8 <sup>11</sup> / <sub>13</sub>	360/ 14 <sup>1</sup> / <sub>5</sub>	470/ 18 <sup>1</sup> / <sub>2</sub>	40°	22°	250/550	180°/180°	359°/359°	128/282
3893S/30	3040/120"	2005/79"	205/ 8 <sup>1</sup> / <sub>8</sub>	225/ 8 <sup>11</sup> / <sub>13</sub>	360/ 14 <sup>1</sup> / <sub>5</sub>	470/ 18 <sup>1</sup> / <sub>2</sub>	40°	22°	200/440	180°/180°	359°/359°	135/298
3893S/33	3355/132"	2155/85"	205/ 8 <sup>1</sup> / <sub>8</sub>	225/ 8 <sup>11</sup> / <sub>13</sub>	360/ 14 <sup>1</sup> / <sub>5</sub>	470/ 18 <sup>1</sup> / <sub>2</sub>	40°	22°	150/330	180°/180°	359°/359°	142/313

## TRANSOM GANGWAYS

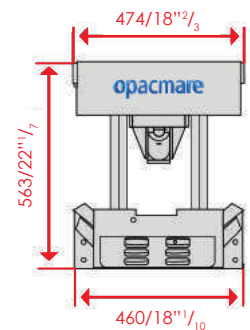
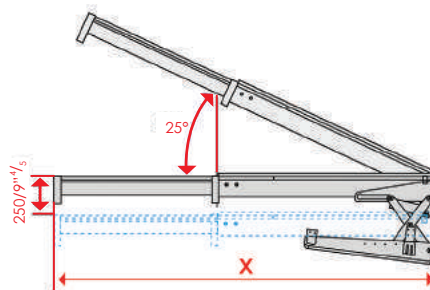
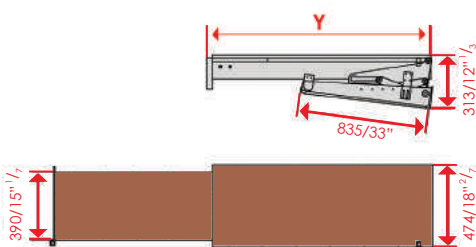
### model 3800 "POP UP" Telescopic built-in

Telescopic gangway with pantograph handling system, it is built-in in stern platform. It is available in two lengths and ideal to land on docks with various heights, since pantograph system allows for 250 mm vertical lifting of first element. Second element is telescopic.

In case of floating or low dock, gangway stays built-in and can be used horizontally only.

It is made of painted aluminium with manual stanchions on port side, while walkway finishing, either made of teak or fibreglass, is at shipyard care, in order to perfectly match with any platform

It allows the boarding of 120 kg. maximum (one person at a time).



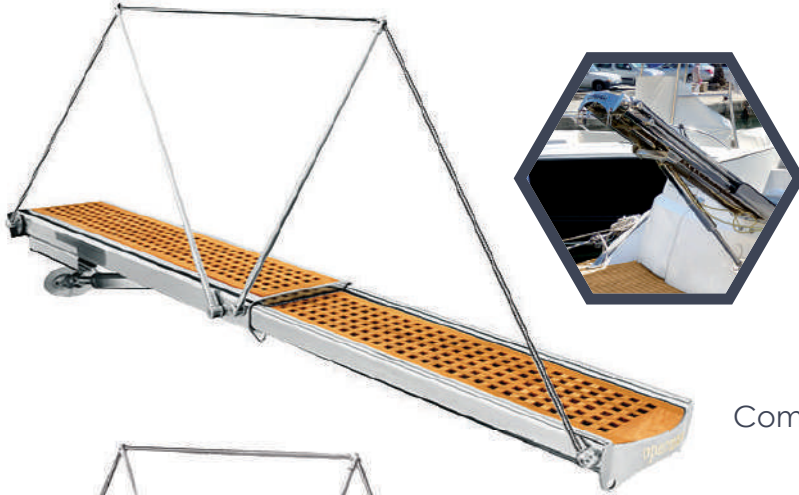
MODEL	X (mm/inch)	Y (mm/inch)	Weight (Kg/lbs)
3800/15	1520/59"	960/38"	75/165
3800/23	2200/87"	1300/51"	85/190



## STAINLESS STEEL TRANSOM GANGWAYS - Two Sections

Two or three-sections telescopic gangways with hydraulic, remote controlled handling system, both for extension and for rising. More than 40 models are available; they are made of either polished or painted AISI 316 L stainless steel with teak gratings, electronic and hydraulic units, remote control and either manual or automatic stanchions.

Optional fibre optics are also available, as well as double line of stanchions (for some models only). These gangways feature tender and water scooter lifting, capacities range from 150 kg to 450 kg. All passerelles have loading capacity of 150 kg (passengers' boarding only).



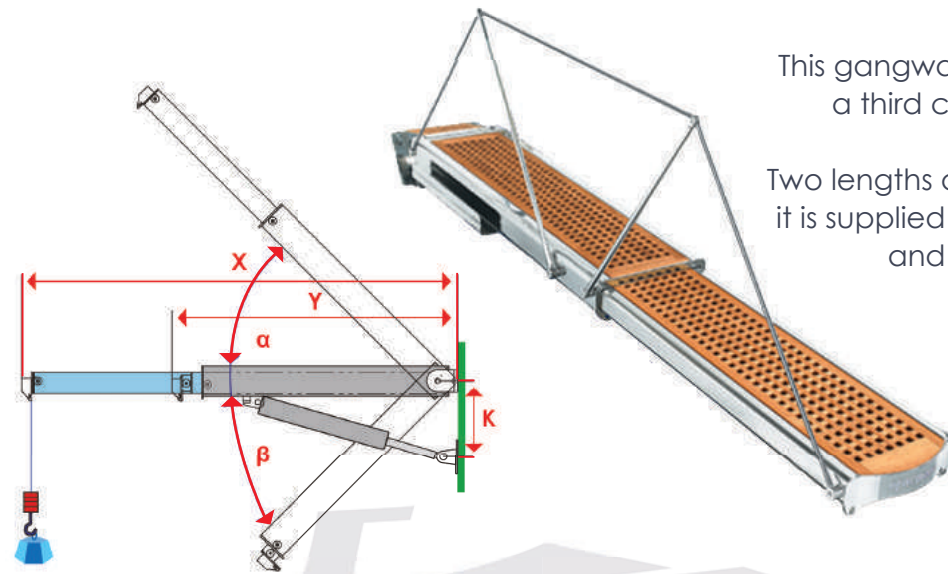
### model 4994

Two-section gangway with four lengths available (from 1,90 to 2,90 metres), supplied with automatic stanchions on port or starboard side. Standard lifting capacity is 200/250 kg which can be increased to 300 kg for some models.



### model 6996

Compact two-section gangway, suitable to lift tender or jet ski up to 300 kg, five lengths available from 2,50 to 3,60 metres); it is supplied with automatic stanchions on port side.



### model 8998

Two-section gangway with eight lengths available (from 2,30 to 4,70 metres), featuring tender and jet ski lifting up to 450 kg. It is supplied with automatic stanchions either on port or starboard side. A version with wider footwalk, manual telescopic removable stanchions and wheel guides is also available, to allow for boarding and passage of trolleys or wheelchairs for disabled people (model 8998 XXL).

### model 5995

This gangway is composed of two sections and has a third courtesy teak landing and a customized fixing plate for hinging to the stern. Two lengths are available (from 3,10 to 3,40 metres), it is supplied with automatic stanchions on port side and has standard lifting capacity of 450 kg.



Models 4994, 6996, 8998 and 5995 are supplied with the hydraulic cylinder assembled on a translating cross-beam, which allows modification of the gangway geometry on the basis of boat stern features.

## STAINLESS STEEL TRANSOM GANGWAYS - Three Sections



### model 4334

Three-sections gangway with two telescopic elements; seven lengths are available (from 1,60 to 4,20 metres) with variable vertical orientation. It is supplied with automatic stanchions on port side and has standard lifting capacity of 150 kg.



### model 5335

Compact and elegant three sections gangway with maximum extension at 4 metres, it features a teak footwalk 50 cm wide. A fourth courtesy landing is assembled at the hinging area level; the gangway is supplied with customized fixing plate and manual stanchions on port side; upon request a second line of stanchions and a ring bell on first stanchion can be supplied. It is designed for passengers' boarding only, up to a maximum load of 300 kg.

MODEL	X (mm/inch)	Y (mm/inch)	K (mm/inch)	$\alpha$	$\beta$	Loading capacity standard (Kg/lbs)	Loading capacity optional (Kg/lbs)	Weight (Kg/lbs)
4994/19	1895/75"	1175/47"	300/12"	55°	45°	250/550	300/660	58/130
4994/23	2275/90"	1375/54"	300/12"	55°	45°	250/550	300/660	65/140
4994/26	2565/101"	1535/61"	300/12"	55°	45°	200/440	-	73/160
4994/29	2890/114"	1690/67"	300/12"	55°	45°	200/440	-	92/200
6996/25	2525/100"	1545/61"	350/14"	50°	40°	300/660		127/280
6996/27	2725/108"	1695/67"	400/16"	50°	40°	300/660		129/284
6996/30	2975/117"	1795/71"	400/16"	50°	40°	250/550		136/300
6996/33	3300/130"	1980/78"	400/16"	50°	40°	200/440		144/317
6996/36	3600/142"	2130/84"	400/16"	50°	40°	150/350		152/335
8998/23	2335/92"	1435/57"	300/12"	52°	34°	450/1000	-	133/300
8998/25	2500/98"	1520/60"	300/12"	52°	34°	450/1000	-	140/310
8998/28	2785/110"	1655/65"	350/14"	55°	35°	450/1000	-	152/335
8998/30	2950/116"	1750/69"	350/14"	55°	30°	450/1000	-	157/345
8998/33	3280/129"	1950/77"	400/16"	51°	35°	450/1000	-	177/390
8998/36	3600/142"	2150/85"	400/16"	55°	35°	300/660	450/1000	194/430
8998/40*	4000/157"	2400/94"	400/16"	51°	35°	300/660	450/1000	206/455
8998/47*	4700/185"	2750/108"	500/20"	51°	35°	250/550	-	240/530
5995/31	3100/122"	1900/75"	360/14"	34°	24°	450/1000		156/340
5995/34	3400/134"	2200/87"	360/14"	34°	24°	450/1000		172/380
4334/16*	1595/63"	895/36"	250/10"	23°	46°	150/350		86/190
4334/19*	1995/79"	1050/41"	250/10"	23°	46°	150/350		120/265
4334/23	2330/92"	1140/45"	250/10"	35°	64°	150/350		126/280
4334/27	2750/108"	1310/52"	350/14"	35°	53°	150/350		140/310
4334/32	3310/130"	1510/60"	350/14"	70°	20°	150/350		167/370
4334/36	3640/144"	1640/65"	350/14"	28°	56°	150/350		179/395
4334/42	4160/164"	1830/72"	350/14"	23°	46°	150/350		185/410
5335/40	4000/157"	1750/69"	400/16"	35°	35°			185/410



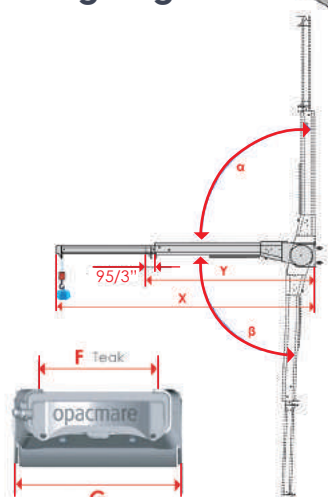
**model 8998S**

Series of gangways composed of seven models similar to classic gangway model 8998 with lengths ranging from 2,30 to 4 metres and loading capacity up to 450 kg.

This model features extensive working angles (90° upwards and 32° downwards) thanks to two cylinders directly assembled on the fixing plate which is reduced in height to 310 mm only. By reducing space taken up on stern platform, this gangway improves boat aesthetics during navigation and, most of all, improves boat handling at stern. Indeed, it allows tender lodging underneath the gangway, directly against bulwark, making maximum use of the space available.



**with extensive working angles**



**models 4999 - 8999 - 4339 with rotating actuator**

Opacmare® introduces the most traditional hydraulic telescopic gangways, without cylinder but with rotating actuator. Gangway handling is obtained by means of an actuator placed within the hinging system to stern. Upwards and downwards working angles can therefore reach 90°, minimizing space taken up on stern thus offering greater manoeuvrability possibilities for tender.

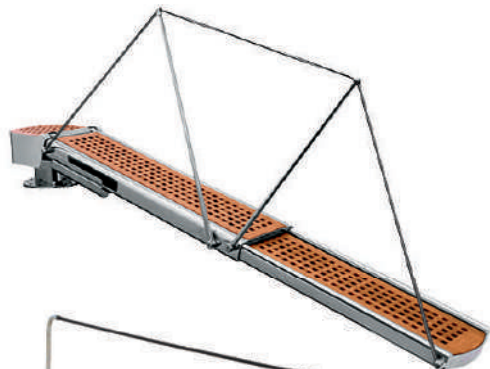
Two sections (model 4999/8999) and eleven lengths are available (from 2,00 to 4,40 metres); lifting capacity is always up to 450 kg. Three sections (model 4339) and six lengths are available (from 2,20 to 4,30 metres); loading capacity is 150 kg (passengers' boarding only); upon request, it can also be arranged to lift tender up to 150 kg.

MODEL	X (mm/inch)	Y (mm/inch)	F (mm/inch)	G (mm/inch)	α	β	Loading capacity standard (Kg/lbs)	Loading capacity optional (Kg/lbs)	Weight (Kg/lbs)
8998S/23	2330/92"	1430/56"			90°	32°	450/1000	-	165/365
8998S/25	2500/99"	1520/60"			90°	32°	450/1000	-	173/380
8998S/28	2785/110"	1655/65"			90°	32°	450/1000	-	185/410
8998S/30	2950/116"	1750/69"			90°	32°	450/1000	-	190/420
8998S/33	3280/129"	1950/77"			90°	32°	450/1000	-	212/465
8998S/36	3600/142"	2150/85"			90°	32°	300/660	450/1000	225/495
8998S/40*	4000/158"	2400/95"			90°	32°	300/660	450/1000	238/525
4999/20	2045/81"	1375/54"			90°	88°	250/550		112/250
4999/24	2425/95"	1575/62"			90°	88°	230/510		135/300
4999/27	2715/107"	1735/68"			90°	88°	200/440		152/335
4999/30	3040/120"	1890/74"			90°	88°	170/380		169/370
8999/26	2600/103"	1700/67"	340/13 <sup>2</sup> / <sub>5</sub>	550/21 <sup>3</sup> / <sub>5</sub>	90°	88°	450/1000		239/530
8999/28	2760/109"	1785/70"	340/13 <sup>2</sup> / <sub>5</sub>	550/21 <sup>3</sup> / <sub>5</sub>	90°	88°	450/1000		242/530
8999/31	3060/120"	1935/76"	340/13 <sup>2</sup> / <sub>5</sub>	550/21 <sup>3</sup> / <sub>5</sub>	90°	88°	400/880		255/560
8999/33	3230/127"	2030/80"	340/13 <sup>2</sup> / <sub>5</sub>	550/21 <sup>3</sup> / <sub>5</sub>	90°	88°	400/880		260/570
8999/36	3560/140"	2230/88"	340/13 <sup>2</sup> / <sub>5</sub>	550/21 <sup>3</sup> / <sub>5</sub>	90°	88°	300/660		275/600
8999/40*	3980/157"	2430/96"	340/13 <sup>2</sup> / <sub>5</sub>	550/21 <sup>3</sup> / <sub>5</sub>	90°	88°	300/660		290/640
8999/44*	4380/173"	2680/106"	340/13 <sup>2</sup> / <sub>5</sub>	550/21 <sup>3</sup> / <sub>5</sub>	90°	88°	300/660		320/700
4339/22	2200/87"	1255/50"			90°	90°	150/330		175/385
4339/26	2535/100"	1345/53"			90°	90°	150/330		186/410
4339/30	2955/116"	1515/60"			90°	90°	150/330		197/435
4339/35	3515/138"	1715/68"			90°	90°	150/330		225/495
4339/39*	3845/152"	1845/73"			90°	90°	-		236/520
4339/44*	4365/172"	2035/80"			90°	90°	-		245/340

## STAINLESS STEEL ROTATING GANGWAYS

Gangways composed of one rotating turret, one section which can be oriented and other telescopic sections. At rest, these gangways can be housed inside a pre-arranged box or directly on transom. They are made of AISI 316 L stainless steel, glossy polished or painted, and have teak grating and either manual or automatic stanchions.

Standard 180° rotation can be extended to optional 359° rotation for some models; standard 160 - 450 kg lifting capacities can be extended up to optional 800 kg for some models.



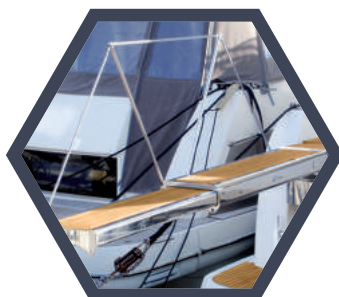
### model 1849

Light rotating gangway composed of three sections suitable for stern assembly.

Three lengths are available (from 2,30 to 2,90 m.) with 180° rotation. It allows the boarding of 150 kg. maximum (one person at a time).



**ideal for  
tender lifting**



### model 1848

Rotating gangway/crane composed of three sections with standard lifting capacity at 160 kg.

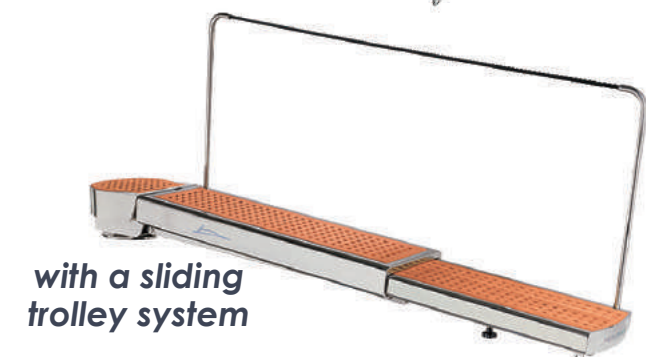
Three lengths are available (from 2,30 to 3 m.) and it is supplied with automatic stanchions on starboard side. It is pre-arranged for stanchions assembly on both sides.



**ideal for  
jet ski and  
tender lifting**

### model 1898

Rotating gangway/crane composed of three sections with three lengths available (from 2,90 to 3,90 metres), it is suitable for tender or jet ski lifting from 250 to 450 kg. It is pre-arranged for stanchions assembly on both sides; it can be housed inside a pre-arranged stern box or directly on stern.



**with a sliding  
trolley system**

### model 1802

Rotating gangway/crane composed of three sections; it is equipped with a sliding trolley system on lower part which allows tender and jet ski handling from 250 to 350/400 kg for some models.

Four lengths are available (from 2,70 to 3,90 metres) with 180° and 359° rotation.



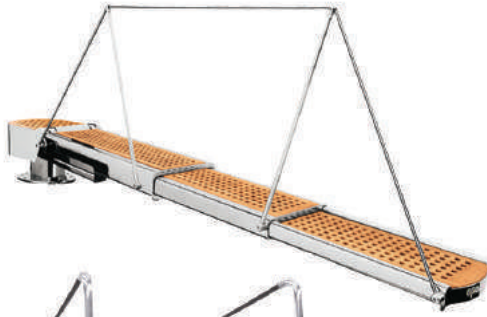
**ideal for  
tender lifting**

### model 1803

Gangway model 1803 is similar to model 1802 but is composed of four sections with 180° and 359° rotation and standard lifting capacity at 250 kg.



# STAINLESS STEEL ROTATING GANGWAYS



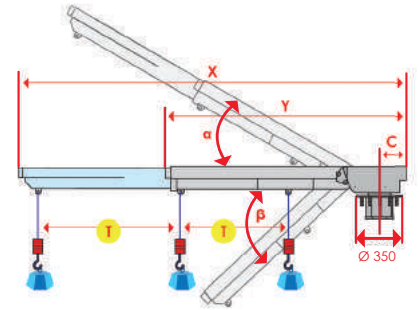
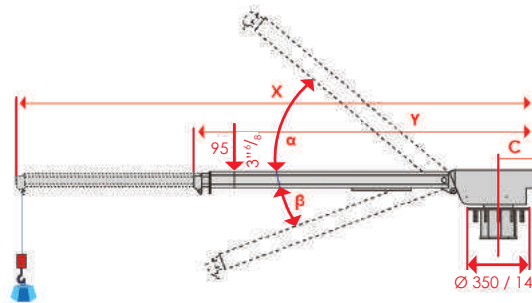
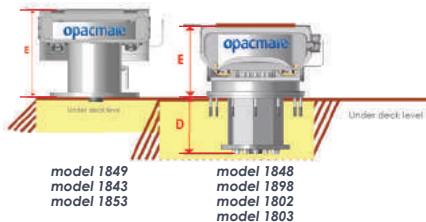
## model 1843

Rotating gangway with four sections; first section is rotating, second section, which houses third and fourth telescopic elements, can be oriented. Two lengths are available (from 2,70 to 2,90 metres). It allows the boarding of 150 kg. maximum (one person at a time).



## model 1853

External rotating telescopic stern gangway for large crafts. Being very versatile, it allows side access and can be used for large sized charters. The prestigious finish, with double hand-hold stanchions and attractive design make this passerelle a very high class product. It allows the boarding of 150 kg. maximum (one person at a time).



MODEL	X (mm/inch)	Y (mm/inch)	C (mm/inch)	D180° (mm/inch)	E (mm/inch)	T (mm/inch)	α	β	Rotation standard	Rotation optional	Loading capacity standard (Kg/lbs)	Weight (Kg/lbs)
1848/24	2340/90"	1570/62"	205/8 <sup>11</sup> / <sub>8</sub>	180/7 <sup>11</sup> / <sub>13</sub>	225/8 <sup>11</sup> / <sub>8</sub>		40°	22°	180°	359°	160/360	171/380
1848/27	2720/107"	1735/68"	205/8 <sup>11</sup> / <sub>8</sub>	180/7 <sup>11</sup> / <sub>13</sub>	225/8 <sup>11</sup> / <sub>8</sub>		40°	22°	180°	359°	160/360	182/400
1848/30	3010/119"	1980/78"	205/8 <sup>11</sup> / <sub>8</sub>	180/7 <sup>11</sup> / <sub>13</sub>	225/8 <sup>11</sup> / <sub>8</sub>		40°	22°	180°	359°	160/360	198/440
1849/23	2240/88"	1520/60"	200/7 <sup>11</sup> / <sub>8</sub>		275/10 <sup>13</sup> / <sub>4</sub>		18°	15°	180°			95/210
1849/26	2620/103"	1800/71"	200/7 <sup>11</sup> / <sub>8</sub>		275/10 <sup>13</sup> / <sub>4</sub>		18°	15°	180°			105/230
1849/29	2910/115"	1880/74"	200/7 <sup>11</sup> / <sub>8</sub>		275/10 <sup>13</sup> / <sub>4</sub>		18°	15°	180°			120/265
1898/29	2905/114"	1925/76"	205/8 <sup>11</sup> / <sub>8</sub>	200/8"	225/8 <sup>11</sup> / <sub>8</sub> 6/10 275/10 <sup>13</sup> / <sub>4</sub> 3/4 275/10 <sup>13</sup> / <sub>4</sub> 3/4		40° 35° 35°	22° 12° 12°	180°	359°	250/550 350/800 450/1000	171/380
1898/32	3200/126"	2220/88"	205/8 <sup>11</sup> / <sub>8</sub>	200/8"	275/10 <sup>13</sup> / <sub>4</sub> 3/4 320/12" 320/12"		40° 35° 35°	22° 12° 12°	180°	359°	250/550 350/800 450/1000	267/590
1898/39	3930/156"	2490/98"	205/8 <sup>11</sup> / <sub>8</sub>	200/8"	275/10 <sup>13</sup> / <sub>4</sub> 3/4 320/12" 320/12"		40° 35° 35°	22° 12° 12°	180°	359°	250/550 350/800 450/1000	314/690
1802/27	2700/106"	1770/70"	205/8 <sup>11</sup> / <sub>8</sub>	200/8"	225/8 <sup>11</sup> / <sub>8</sub> 7/8 275/10 <sup>13</sup> / <sub>4</sub> 3/4	950/37"	40° 35°	22° 12°	180	359°	250/550	224/490
1802/29	2900/114"	1870/74"	205/8 <sup>11</sup> / <sub>8</sub>	200/8"	225/8 <sup>11</sup> / <sub>8</sub> 7/8 275/10 <sup>13</sup> / <sub>4</sub> 3/4	1045/41"	40° 35°	22° 12°	180°	359°	250/550	243/540
1802/33	3300/130"	2100/83"	205/8 <sup>11</sup> / <sub>8</sub>	200/8"	275/10 <sup>13</sup> / <sub>4</sub> 3/4 320/12"	1235/49"	40° 35°	22° 12°	180°	359°	250/550	291/640
1802/39	3840/151"	2430/96"	205/8 <sup>11</sup> / <sub>8</sub>	200/8"	270/10 <sup>13</sup> / <sub>4</sub> 5/8 320/12"	1570/62"	40° 35°	22° 12°	180°	359°	250/550	358/790
1803/38	3730/147"	1930/76"	205/8 <sup>11</sup> / <sub>12</sub>	208/8"	275/10 <sup>13</sup> / <sub>4</sub> 3/4		40°	22°	180°	359°	250/550	252/555
1843/27	2660/105"	1460/57"	200/7 <sup>11</sup> / <sub>8</sub>		275/10 <sup>13</sup> / <sub>4</sub> 5/5		18°	15°	180°			172/380
1843/29	3060/120"	1530/60"	200/7 <sup>11</sup> / <sub>8</sub>		285/11 <sup>11</sup> / <sub>4</sub>		18°	15°	180°			190/420
1853/60	6000/236"	3461/136"	338/13 <sup>11</sup> / <sub>4</sub>	180/7"	293/11"		30°	30°	180°	359°		611/1345

## STAINLESS STEEL EXTENDING PASSERELLES - One and two Sections

Over 120 models of box telescopic gangways are available, especially designed to be fitted in transom stairs or under walkway. They are composed of two, three or four sections with frame made of either polished or painted AISI 316 L stainless steel and teak gratings. They are supplied either with manual or automatic stanchions. Housing box and port are made of watertight anodized aluminium.



### **model 1041 - box height 156 mm**

Box gangway with hydraulic handling composed of two sections, one is telescopic and the other one can be oriented. Six lengths are available (from 1,50 to 3,20 metres) with automatic stanchions on the port side. It allows the boarding of 150 kg. maximum (one person at a time).

### **model 1022**

Box gangway composed of two sections and folded in a box only 210 mm high; it is ideal for housing in stern steps. Three lengths are available (from 2,5 to 3,3 metres) with automatic stanchions on port side. Upon request it can also be arranged to lift tender up to 150 kg.

### **model 1002 - box height 230 mm**

Two-sections gangway, it has been designed in six different lengths (from 2,50 to 5 metres) with automatic stanchions (manual stanchions for models over 4 metres). Upon request, it can be arranged to lift tender from 180 to 250 kg. Some models can also be supplied with a second line of stanchions.

### **model 1032 - box height 195 mm**

This gangway allows the boarding of 150 Kg / 330 lbs maximum (one person at a time).

### **model 1003 - box height 230 mm**

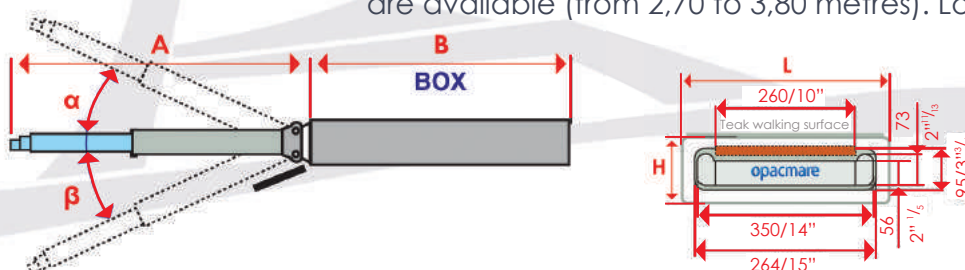
Three-sections gangway folded in a stern box 230 mm high. It is supplied with manual or automatic stanchions on port side; it features a teak footwalk up to 460 mm wide. Up to ten lengths are available (from 1,90 to 5 metres). Upon request, some models can also be arranged to lift tender and jet-ski from 200 to 300 kg.

### **model 1033 box height 195 mm**

Three-sections box gangway featuring a teak footwalk up to 460 mm wide. It is supplied with automatic stanchions on port side (manual stanchions for model 1033/19); eight lengths are available (from 1,90 to 4,10 metres). It allows the boarding of 150 kg. maximum (one person at a time).

### **model 1043 box height 180 mm**

Three-section gangway folded in a stern box 180 mm high; four lengths are available (from 2,70 to 3,80 metres). Loading capacity is 150 kg.





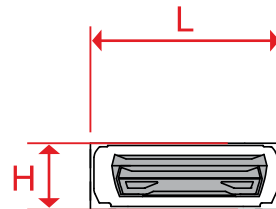
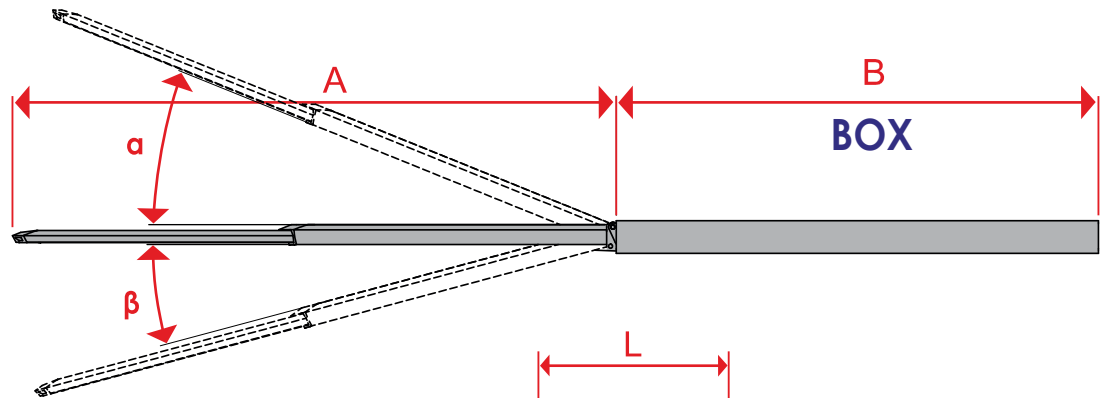
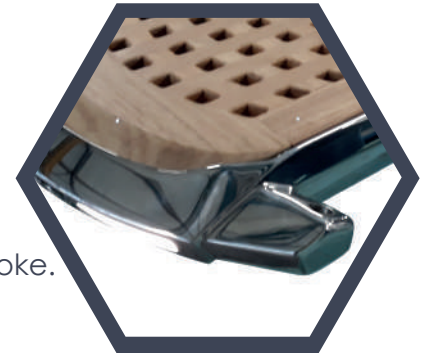
# STAINLESS STEEL EXTENDING PASSERELLES - One and two Sections

MODEL	A (mm/inch)	B (mm/inch)	H (mm/inch)	L (mm/inch)	α	β	Loading capacity optional (Kg/lbs)	Weight (Kg/lbs)
1041/15	1500/59"	1420/56"	156/6" <sup>1</sup> / <sub>8</sub>	400/16"	22°	15°		92/210
1041/19	1875/74"	1570/62"	156/6" <sup>1</sup> / <sub>8</sub>	400/16" 450/18" ●	22°	15°		148/325
1041/23	2255/89"	1770/70"	156/6" <sup>1</sup> / <sub>8</sub>	400/16" 450/18" ●	22°	15°		152/335
1041/26	2545/100"	1930/76"	156/6" <sup>1</sup> / <sub>8</sub>	400/16" 450/18" ●	22°	15°		154/340
1041/29	2860/113"	2110/83"	156/6" <sup>1</sup> / <sub>8</sub>	450/18" ●	22°	15°		170/375
1041/32	3190/125"	2300/91"	156/6" <sup>1</sup> / <sub>8</sub>	450/18" ●	22°	15°		179/395
1022/25	2500/98"	2140/84"	210/8" <sup>1</sup> / <sub>8</sub>	550/22" ●	18°	18°	150/350	170/370
1022/29	2900/114"	2300/91"	210/8" <sup>1</sup> / <sub>8</sub>	550/22" ●	18°	18°	150/350	190/420
1022/33	3300/130"	2620/103"	210/8" <sup>1</sup> / <sub>8</sub>	550/22" ●	18°	18°	150/350	258/570
1002/25	2505/99"	2140/84"	230/9"	550/22" ●	15°	15°	250/550	235/520
1002/29	2875/113"	2340/92"	230/9"	550/22" ●	15°	15°	250/550	240/530
1002/35	3530/139"	2800/110"	230/9"	550/22" ●	15°	15°	180/440	308/680
1002/40*	4040/159"	3140/124"	230/9"	550/22" ●	15°	15°	-	418/920
1002/45*	4410/174"	3480/137"	230/9"	550/22" ●	15°	15°	-	440/970
1002/50*	5040/199"	3840/151"	230/9"	550/22" ●	15°	15°	-	461/1015
1032/33	3310 /130" <sup>3</sup> / <sub>10</sub>	2620/103"	195/7" <sup>2</sup> / <sub>3</sub>	550/21" <sup>6</sup> / <sub>10</sub>	19°	16°		225/500
1003/19*	1930/76"	1540/61"	230/9"	550/21" <sup>2</sup> / <sub>3</sub> ●	15°	15°	-	165/370
1003/23	2280/90"	1640/65"	230/9"	550/21" <sup>2</sup> / <sub>3</sub> ●	15°	15°	-	186/410
1003/27	2690/106"	1940/76"	230/9"	550/21" <sup>2</sup> / <sub>3</sub> ●	15°	15°	200/440	210/460
1003/30	3020/119"	2040/80"	230/9"	550/21" <sup>2</sup> / <sub>3</sub> ●	15°	15°	200/440	225/495
1003/33	3260/128"	2140/84"	230/9"	550/21" <sup>2</sup> / <sub>3</sub> ●	15°	15°	200/440	240/530
1003/36	3580/138"	2340/92"	230/9"	550/21" <sup>2</sup> / <sub>3</sub> ●	15°	15°	300/660	258/565
1003/38	3820/150" 3820/150"	2460/97" 2480/98"	230/9" 230/9"	550/21" <sup>2</sup> / <sub>3</sub> ● 710/28"	15° 15°	15° 15°	- -	275/605 293/645
1003/41	4100/161"	2660/105"	230/9"	550/21" <sup>2</sup> / <sub>3</sub> ●	15°	15°	-	300/660
1003/45	4500/177"	2800/110"	230/9"	550/21" <sup>2</sup> / <sub>3</sub> ●	15°	15°	-	384/845
1003/50*	5000/197"	3200/126"	230/9"	550/21" <sup>2</sup> / <sub>3</sub> ●	15°	15°	-	430/950
1033/19*	1930/76"	1540/60" <sup>2</sup> / <sub>3</sub>	195/7" <sup>2</sup> / <sub>3</sub>	550/21" <sup>2</sup> / <sub>3</sub> ●	22°	15°		155/340
1033/23	2280/90"	1640/64" <sup>3</sup> / <sub>5</sub>	195/7" <sup>2</sup> / <sub>3</sub>	550/21" <sup>2</sup> / <sub>3</sub> ●	22°	15°		170/375
1033/27	2690/106"	1960/77"	195/7" <sup>2</sup> / <sub>3</sub>	550/21" <sup>2</sup> / <sub>3</sub> ●	22°	15°		198/435
1033/30	3020/119"	2040/80" <sup>1</sup> / <sub>3</sub>	195/7" <sup>2</sup> / <sub>3</sub>	550/21" <sup>2</sup> / <sub>3</sub> ●	22°	15°		212/465
1033/33	3260/128"	2140/84" <sup>1</sup> / <sub>4</sub>	195/7" <sup>2</sup> / <sub>3</sub>	550/21" <sup>2</sup> / <sub>3</sub> ●	22°	15°		225/500
1033/36	3580/141"	2340/92"	195/7" <sup>2</sup> / <sub>3</sub>	550/21" <sup>2</sup> / <sub>3</sub> ●	22°	15°		240/530
1033/38	3820/150"	2480/98"	195/7" <sup>2</sup> / <sub>3</sub>	550/21" <sup>2</sup> / <sub>3</sub> ●	22°	15°		253/560
1033/41	4100/162"	2660/105"	195/7" <sup>2</sup> / <sub>3</sub>	550/21" <sup>2</sup> / <sub>3</sub> ●	22°	15°		270/595
1043/27	2620/103"	1960/77"	180/7"	550/21" <sup>2</sup> / <sub>3</sub> ●	18°	16°		182/400
1043/30	3020/119"	2040/80" <sup>1</sup> / <sub>3</sub>	180/7"	550/21" <sup>2</sup> / <sub>3</sub> ●	18°	16°		197/435
1043/33	3260/128"	2140/84" <sup>1</sup> / <sub>4</sub>	180/7"	550/21" <sup>2</sup> / <sub>3</sub> ●	18°	16°		208/455
1043/38	3820/150"	2480/98"	180/7"	550/21" <sup>2</sup> / <sub>3</sub> ●	18°	16°		238/525

L BOX	400	450	510	550	590	660	710
G	365	365	390	430	470	550	600
F	260	260	260	300	340	410	460



- New look for the outlines of the swivelling and extendable sections
- New look for the automatic stanchions and their supports
- New look for the rope collecting tray
- Increase of the teak grating walkable area, being equal the width of the sections compared to the current model 1041
- Introduction of new hydraulic lifting rams with electronic control of the stroke. All sensors for gangway alignment and tilt have been removed
- Gangway box with single panels also available with watertight cap
- Watertight aluminium panels with liquid PUR gasket applied with FIPFG method, saving space in the box bottom part.
- Totally built-in LED lighting on the extendable section front, that can be matched with the optic fibres on the teak grating



MODEL	A (mm/inch)	B (mm/inch)	L (mm/inch)	H (mm/inch)	α	β	Loading capacity optional (Kg/lbs)	Weight (Kg/lbs)
VIPER	2860/113"	2110/83"	450/18" •	156/6" 1/8	22°	15°		190/420

L BOX	Weight (Kg/lbs)
450	450
G	365
F	310



## EXTENDING GANGWAYS with special trolley - Two Sections

Telescopic gangways composed of two, three or four sections, ideal for installation in stern stairs as they are equipped with a special trolley which allows inclination point to move forward, making dock access easier. 70 models are available, with lengths ranging from 1,50 to 7,50 metres. Housing box and relevant opening port are made of anodized aluminium with watertight lower panels.

Upon request, some models can also be arranged to lift tender or jet-ski, from 150 to 500 kg.

### model 1141 box height 156 mm

Ultra-compact box gangway composed of two sections, with manual or automatic stanchions; six different lengths are available (from 1,80 to 3,50 m). Loading capacity is 150 kg. (one person at a time).

### model 1102

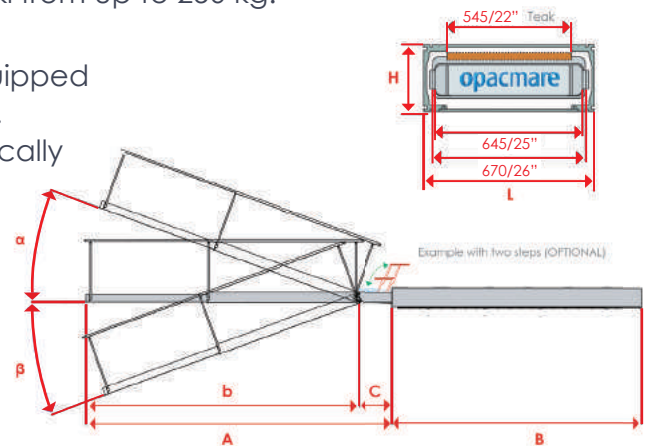
Box gangway composed of two sections, with lodging box 230 mm High. Eleven different lengths are available (from 2,70 to 5,60 metres) with manual or automatic stanchions.

Loading capacity is 150 kg (passengers' boarding only) but, upon request, it can be arranged to lift tender and jet-ski from up to 250 kg.

### model 1412 "MAXI"

Two-sections remote-controlled gangway which can be equipped with additional steps to make access to transom level easier.

Upon request, port opening and step lifting can be electronically controlled. Four different lengths are available (from 3,80 to 5,50 m), with manual stanchions on port side. It allows the boarding of 150 kg. maximum (one person at a time).



L BOX	400	450	510	550	590	660	710
G	365	365	390	430	470	550	600
F	260	260	260	300	340	410	460

MODEL	A (mm/inch)	B (mm/inch)	b (mm/inch)	L (mm/inch)	H (mm/inch)	C (mm/inch)	$\alpha$	$\beta$	loading capacity optional (kg/lbs)	Weight (Kg/lbs)
1141/18	1800/71"	1620/64"		450/18"	156/6 <sup>1</sup> / <sub>7</sub>	150/5 <sup>6</sup> / <sub>7</sub>	22°	15°		122/270
1141/24	2415/95"	1930/76"		450/18"	156/6 <sup>1</sup> / <sub>7</sub>	150/5 <sup>6</sup> / <sub>7</sub>	22°	15°		146/330
1141/26	2550/100"	2110/83"		450/18"	156/6 <sup>1</sup> / <sub>8</sub>	300/11 <sup>7</sup> / <sub>8</sub>	22°	15°		175/400
1141/29	2890/114"	2300/91"		450/18"	156/6 <sup>1</sup> / <sub>7</sub>	350/13 <sup>4</sup> / <sub>5</sub>	22°	15°		183/410
1141/32	3170/125"	2400/95"		450/18"	156/6 <sup>1</sup> / <sub>8</sub>	300/11 <sup>7</sup> / <sub>8</sub>	22°	15°		194/430
1141/35	3490/137"	2600/102"		450/18"	156/6 <sup>1</sup> / <sub>7</sub>	300/11 <sup>7</sup> / <sub>8</sub>	22°	15°		217/480
1141/37	3700/145"	2950/116"		450/18"	156/6 <sup>1</sup> / <sub>8</sub>	500/20"	22°	15°		238/524
1122/36	3610/142"	3000/118"		550/22" ●	210/8 <sup>1</sup> / <sub>8</sub>	300/11 <sup>3</sup> / <sub>4</sub>	18°	18°		302/665
1122/40	4000/157"	3200/126"		550/22" ●	210/8 <sup>1</sup> / <sub>8</sub>	300/11 <sup>3</sup> / <sub>4</sub>	18°	18°		335/740
1122/45	4500/177"	3500/138"		550/22" ●	210/8 <sup>1</sup> / <sub>8</sub>	300/11 <sup>3</sup> / <sub>4</sub>	18°	18°		376/830
1122/47	4705/185"	3760/148"		550/22" ●	210/8 <sup>1</sup> / <sub>8</sub>	300/11 <sup>3</sup> / <sub>4</sub>	18°	18°		390/860
1102/27	2715/107"	2340/92"		550/22" ●	230/9"	200/7 <sup>7</sup> / <sub>8</sub>	15°	15°	250/550	195/430
1102/31	3100/122"	2540/100"		550/22" ●	230/9"	200/7 <sup>7</sup> / <sub>8</sub>	15°	15°	250/550	225/490
1102/34	3390/134"	2960/117"		550/22" ●	230/9"	500/20"	15°	15°	-	250/550
1102/37	3700/146"	3000/118"		550/22" ●	230/9"	200/7 <sup>7</sup> / <sub>8</sub>	15°	15°	-	275/600
1102/42*	4185/165"	3340/131"		550/22" ●	230/9"	200/7 <sup>7</sup> / <sub>8</sub>	15°	15°	-	365/800
1102/46*	4600/181"	3840/151"		550/22" ●	230/9"	600/24"	15°	15°	-	430/950
1102/47*	4700/185"	3680/145"		550/22" ●	230/9"	200/7 <sup>7</sup> / <sub>8</sub>	15°	15°	-	453/1000
1102/50*	5015/197"	4070/160"		550/22" ●	230/9"	600/24"	15°	15°	-	490/1080
1102/52*	5200/205"	4040/159"		550/22" ●	230/9"	200/7 <sup>7</sup> / <sub>8</sub>	15°	15°	-	526/1160
1102/56*	5645/222"	4400/173"		550/22" ●	230/9"	600/24"	15°	15°	-	578/1270
1412/55	5510/216"	4460/176"	4915/193"	750/30"	290/11"	600/23"	20°	20°		922/2030

## EXTENDING GANGWAYS with special trolley - Three and four Sections

### model 1143 box height 180 mm

Ultra-compact box gangway composed of three sections, with manual or automatic stanchions; five different lengths are available (from 3,0 to 4,5 m). Gangway is folded in a particularly short box, just 180 mm high. It allows the boarding of 150 kg. maximum (one person at a time).



### model 1133 box height 195 mm

Three-sections telescopic gangway featuring a teak footwalk up to 46 mm wide; four different lengths are available (from 3,50 to 4,40 m). Gangway is folded in a particularly short box, just 195 mm high. It allows the boarding of 150 kg. maximum (one person at a time).



### model 1103

Box gangway composed of three sections; fourteen different lengths are available (from 2,10 to 6,50 metres) with manual or automatic stanchions and featuring a teak footwalk up to 460 mm wide. Upon request some models can also be arranged to lift tender up to 150 kg.



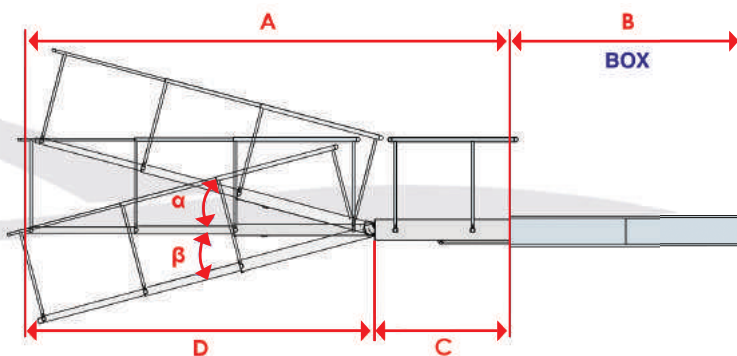
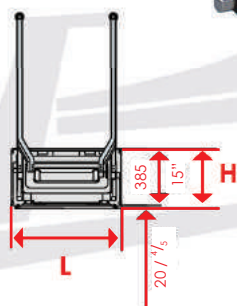
### model 1434 ultra-compact

Box gangway composed of three sections; five lengths are available (from 3 to 7 metres). Gangway is folded in a particularly short box, just 385 mm high; it is supplied with double line of manual stanchions. It allows the boarding of 150 kg. maximum (one person at a time).



### model 1413

Three-sections gangway with maximum extension over 6 m; it can be equipped with additional steps to make access to transom level easier. Gangway is housed in a box just 290 mm high and supplied with double line of manual stanchions. Loading capacity is 150 kg.





# EXTENDING GANGWAYS with special trolley - Three and four Sections

MODEL	A (mm/inch)	B (mm/inch)	C (mm/inch)	D (mm/inch)	H (mm/inch)	L standard (mm/inch)	$\alpha$	$\beta$		Weight (Kg/lbs)
1143/30	2920/115"	2260/89"	300/11 <sup>4</sup> / <sub>5</sub>		180/7"	550/21 <sup>2</sup> / <sub>3</sub> •	18°	16°		203/450
1143/33	3320/131"	2340/92"	300/11 <sup>4</sup> / <sub>5</sub>		180/7"	550/21 <sup>2</sup> / <sub>3</sub> •	18°	16°		216/475
1143/36	3560/140"	2440/96"	300/11 <sup>4</sup> / <sub>5</sub>		180/7"	550/21 <sup>2</sup> / <sub>3</sub> •	18°	16°		232/510
1143/41	4120/162"	2780/110"	300/11 <sup>4</sup> / <sub>5</sub>		180/7"	550/21 <sup>2</sup> / <sub>3</sub> •	18°	16°		287/630
1143/45	4520/178"	3180/125"	700/27 <sup>1</sup> / <sub>2</sub>		180/7"	550/21 <sup>2</sup> / <sub>3</sub> •	18°	16°		314/690
1133/35	3460/136"	2340/92"	200/7 <sup>4</sup> / <sub>5</sub>		195/7 <sup>2</sup> / <sub>3</sub>	550/21 <sup>2</sup> / <sub>3</sub> •	18°	16°		255/560
1133/38	3755/148"	2540/100"	200/7 <sup>4</sup> / <sub>5</sub>		195/7 <sup>2</sup> / <sub>3</sub>	550/21 <sup>2</sup> / <sub>3</sub> •	18°	16°		298/660
1133/40	4035/159"	2660/104 <sup>2</sup> / <sub>3</sub> "	200/7 <sup>4</sup> / <sub>5</sub>		195/7 <sup>2</sup> / <sub>3</sub>	550/21 <sup>2</sup> / <sub>3</sub> •	18°	16°		312/690
1133/44	4425/174"	2910/115"	300/11 <sup>4</sup> / <sub>5</sub>		195/7 <sup>2</sup> / <sub>3</sub>	550/21 <sup>2</sup> / <sub>3</sub> •	18°	16°		338/750
1103/21*	2130/84"	1740/69"	200/7 <sup>4</sup> / <sub>5</sub>		230/9"	550/21 <sup>2</sup> / <sub>3</sub> •	15°	15°	150/330	200/440
1103/29	2900/114"	2140/84"	200/7 <sup>4</sup> / <sub>5</sub>		230/9"	550/21 <sup>2</sup> / <sub>3</sub> •	15°	15°	150/330	232/510
1103/35	3460/136"	2340/92"	200/7 <sup>4</sup> / <sub>5</sub>		230/9"	550/21 <sup>2</sup> / <sub>3</sub> •	15°	15°	150/330	275/600
1103/38	3755/147"	2540/100"	200/7 <sup>4</sup> / <sub>5</sub>		230/9"	550/21 <sup>2</sup> / <sub>3</sub> •	15°	15°	-	318/700
1103/40	4035/159"	2660/105"	200/7 <sup>4</sup> / <sub>5</sub>		230/9"	550/21 <sup>2</sup> / <sub>3</sub> •	15°	15°	-	333/735
1103/43	4345/171"	2800/110"	200/7 <sup>4</sup> / <sub>5</sub>		230/9"	550/21 <sup>2</sup> / <sub>3</sub> •	15°	15°	-	353/780
1103/44	4425/175"	2900/114"	300/12"		230/9"	550/21 <sup>2</sup> / <sub>3</sub> •	15°	15°	-	360/795
1103/45	4540/179"	3000/118"	400/16"		230/9"	550/21 <sup>2</sup> / <sub>3</sub> •	15°	15°	150/330	371/820
1103/47	4710/186"	3340/131"	600/24"		230/9"	550/21 <sup>2</sup> / <sub>3</sub> •	15°	15°	-	407/900
1103/50*	5040/199"	3440/136"	500/20"		230/9"	550/21 <sup>2</sup> / <sub>3</sub> •	15°	15°	-	440/970
1103/54*	5400/213"	4100/161"	1350/53"		230/9 <sup>5</sup> / <sub>6</sub> "	550/21 <sup>2</sup> / <sub>3</sub> •	15°	15°	-	497/1095
1103/58*	5800/228"	4100/161"	800/32"		230/9"	550/21 <sup>2</sup> / <sub>3</sub> •	15°	15°	-	542/1190
1434/30	3020/119"	1730/68"	740/29"	2280/90"	385/15"	750/29"	15°	15°		424/935
1434/41	4060/160"	2130/84"	1040/41"	3020/119"	385/15"	750/29"	15°	15°		560/1235
1434/50	4920/194"	2430/96"	1340/53"	3580/141"	385/15"	750/29"	15°	15°		685/1510
1434/58	5745/226"	2750/108"	1605/63"	4140/163"	385/15"	750/29"	15°	15°		806/1775
1434/70	7015/275"	3290/130"	2000/79"	5015/198"	385/15"	750/29"	15°	15°		952/2100
1413/60	6000/236"	4670/184"	830/33"		290/11 <sup>1</sup> / <sub>2</sub> "	750/29"	18°	15°		930/2050
1413/63	6430/253"	4800/189"	250/10"		290/11 <sup>1</sup> / <sub>2</sub> "	920/36"	18°	15°		1095/2400

L BOX	400	450	510	550	590	660	710
<b>G</b>	365	365	390	430	470	550	600
<b>F</b>	260	260	260	300	340	410	460

## STAINLESS STEEL ROTATING BOX GANGWAYS

Rotating box gangways with special trolley, ideal for passengers' side boarding and for fitting in transom stairs, thanks to a special trolley which allows inclination point to move forward.

Suitable for big yachts as they allow for passengers' side boarding.

They are composed of three or four sections; first section is fixed and includes the rotating part, second section with variable slant is connected to the first and is arranged for housing of telescopic sections.

They can be equipped with hydraulic box opening system which allows 180° span in order to adapt them to boats with special outlines.

### model 1212

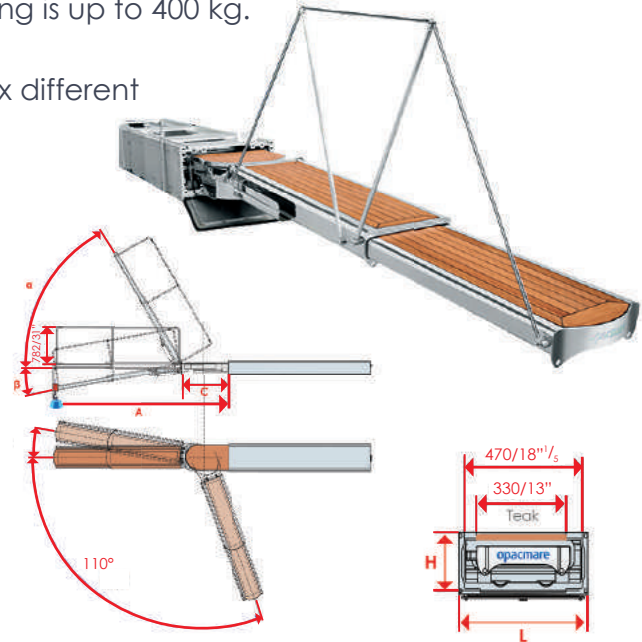
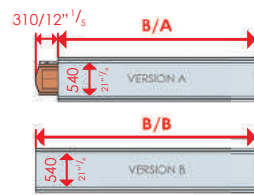
This gangway features possible use of its front part in rest position as a connection step between stern platform and deck. It is supplied with manual or automatic stanchions, with teak planking and standard 120° rotation; lifting capacity for tender and jet ski lifting is up to 400 kg.

### model 1202 standard 180° rotation

This gangway is composed of three sections and available in six different lengths. It is supplied with manual or automatic stanchions on starboard side. Upon request, model 1202/29 can be arranged to lift 350 kg.

### model 1203 standard 180° rotation

This gangway is composed of four sections and eight lengths are available (from 3,60 to 7,60 m). It is supplied with automatic or manual stanchions on starboard side. Loading capacity is 150 kg.



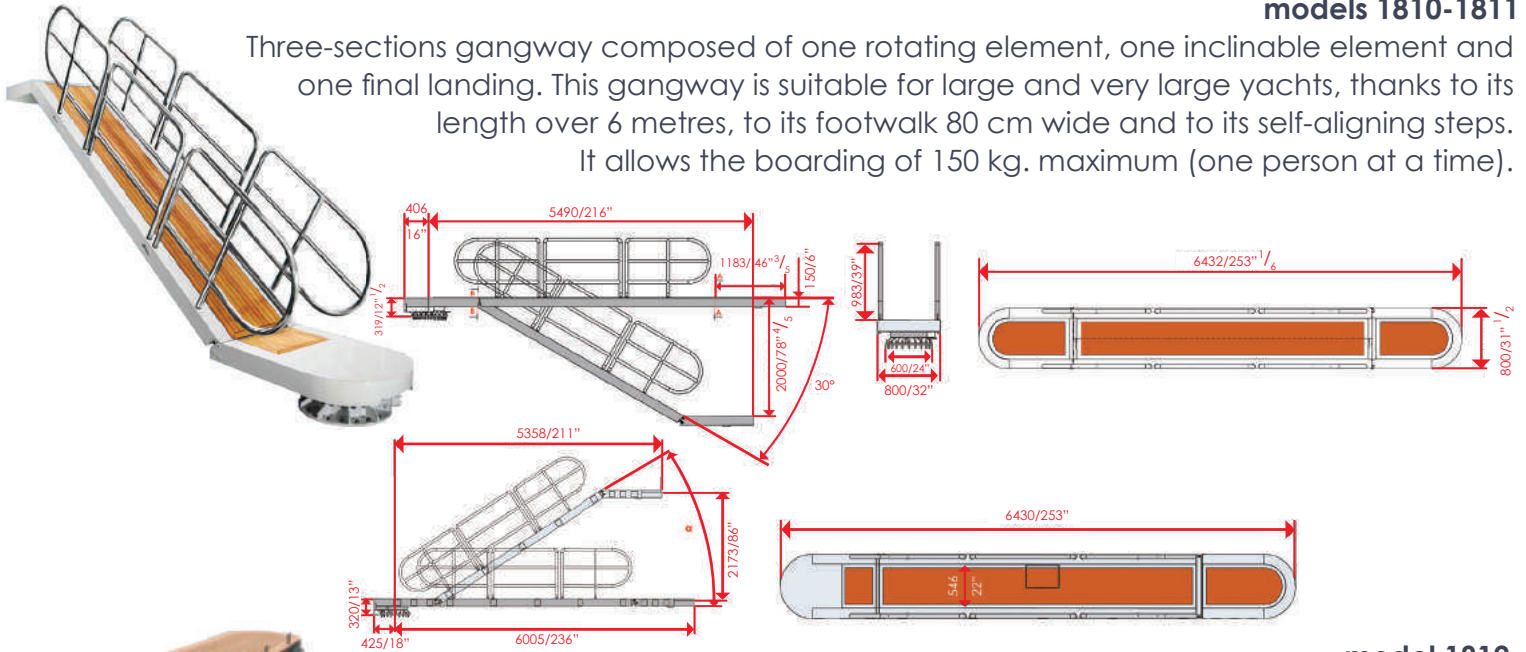
L BOX	400	450	510	550	590	660	710
G	365	365	390	430	470	550	600
F	260	260	260	300	340	410	460

MODEL	A (mm/inch)	B (mm/inch)	B/A (mm/inch)	B/B (mm/inch)	L (mm/inch)	H (mm/inch)	C (mm/inch)	α	β	Rotation	Loading capacity standard (Kg/lbs)	Weight (Kg/lbs)
1212/38	3790/149"		3050/120"	3400/134"	600/23"	290/11"	1000/39"	60°	10°		400/880	860/1895
1212/42	4170/164"		-	3800/150"	600/23"	290/11"	1000/39"	60°	10°		400/880	920/2030
1202/29	2860/113"	2800/110"			600/24" 780/31"	290/11"	290/11"	20°	15°	180°	350/800	605/1330
1202/35	3530/139"	3750/148"			600/24" 780/31"	290/11"	805/32"	15°	15°	180°	-	790/1750
1202/40	4100/161"	3850/152"			600/24" 780/31"	290/11"	890/35"	15°	15°	180°	-	881/1830
1202/52*	5270/207"	4600/181"			600/24" 780/31"	290/11"	890/35"	15°	15°	180°	-	962/2120
1202/57*	5700/224"	5600/220"			780/31"	290/11"	1305/51"	15°	15°	180°	-	1075/2370
1202/80*	8000/315"	8200/323"			780/31"	290/11"	3565/140"	15°	15°	180°	-	1413/3550
1203/36	3600/142"	2800/110"			600/24" 780/31"	290/11"	300/12" 350/14"	15°	15°			848/1870
1203/46	4600/181"	3550/140"			600/24" 780/31"	290/11"	300/12" 350/14"	15°	15°			932/2050
1203/52	5150/203"	4120/162"			780/31"	290/11"	805/32"	15°	15°			958/2100
1203/58*	5810/228"	4900/193"			780/31"	290/11"	1135/44"	15°	15°			1030/2270
1203/60*	5950/234"	4800/181"			780/31"	290/11"	805/32"	15°	15°			1055/2320
1203/63*	6300/248"	5100/202"			780/31"	290/11"	1135/44"	15°	15°			1208/2660
1203/73*	7300/287"	5500/217"			780/31"	290/11"	1135/44"	15°	15°			1450/3200
1203/76*	7620/300"	6970/274"			780/31"	290/11"	2425/96"	15°	15°			1650/3600



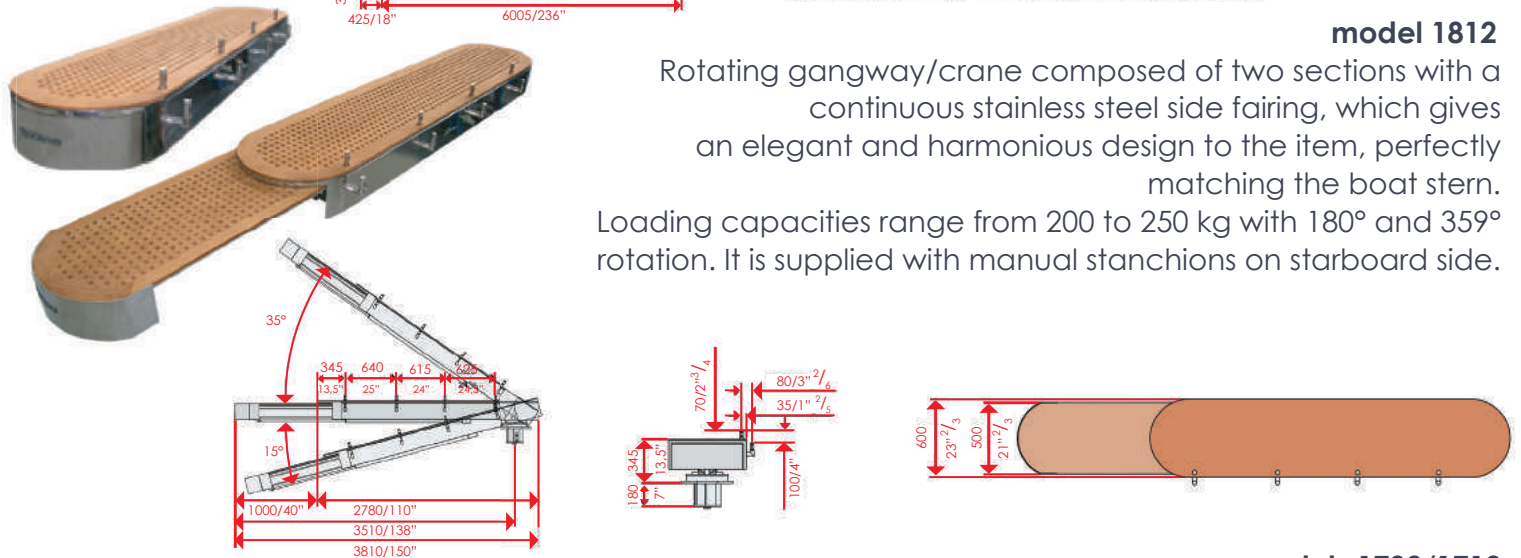
**models 1810-1811**

Three-sections gangway composed of one rotating element, one inclinable element and one final landing. This gangway is suitable for large and very large yachts, thanks to its length over 6 metres, to its footwalk 80 cm wide and to its self-aligning steps. It allows the boarding of 150 kg. maximum (one person at a time).



**model 1812**

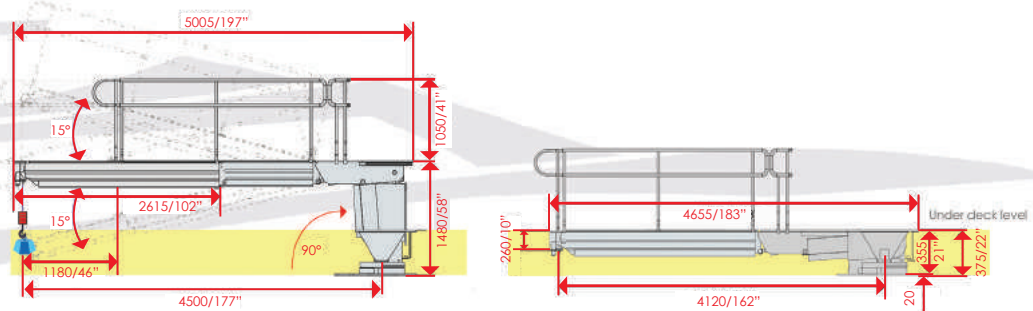
Rotating gangway/crane composed of two sections with a continuous stainless steel side fairing, which gives an elegant and harmonious design to the item, perfectly matching the boat stern. Loading capacities range from 200 to 250 kg with 180° and 359° rotation. It is supplied with manual stanchions on starboard side.



**models 1702/1712**

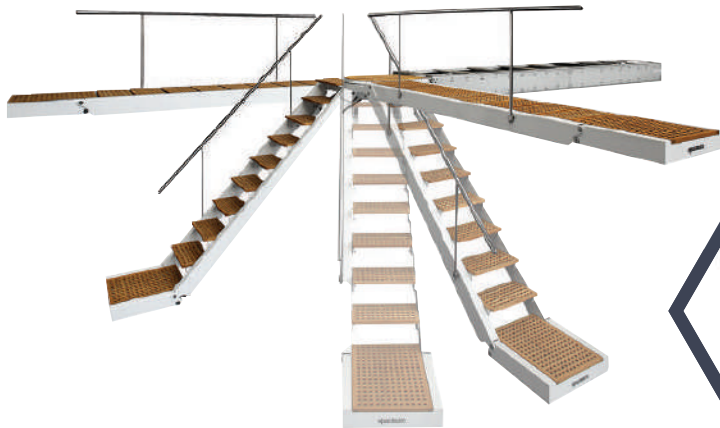
These new models can be custom-made and combine rotating gangway functions to crane ones. They are ideal for stern platforms on very large yachts with transom garage opening upwards.

They are supplied with hydraulic float feature and shaped telescopic manual stanchions on both sides. Lifting capacities range from 600 to 800 kg with boom length at 4,5 metres, by means of a hydraulic hoist. In rest position, these gangways lay flush with stern platform, therefore footwalk finishing is at shipyard request and care.



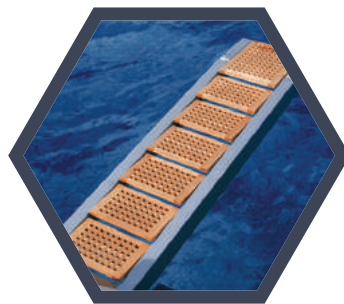
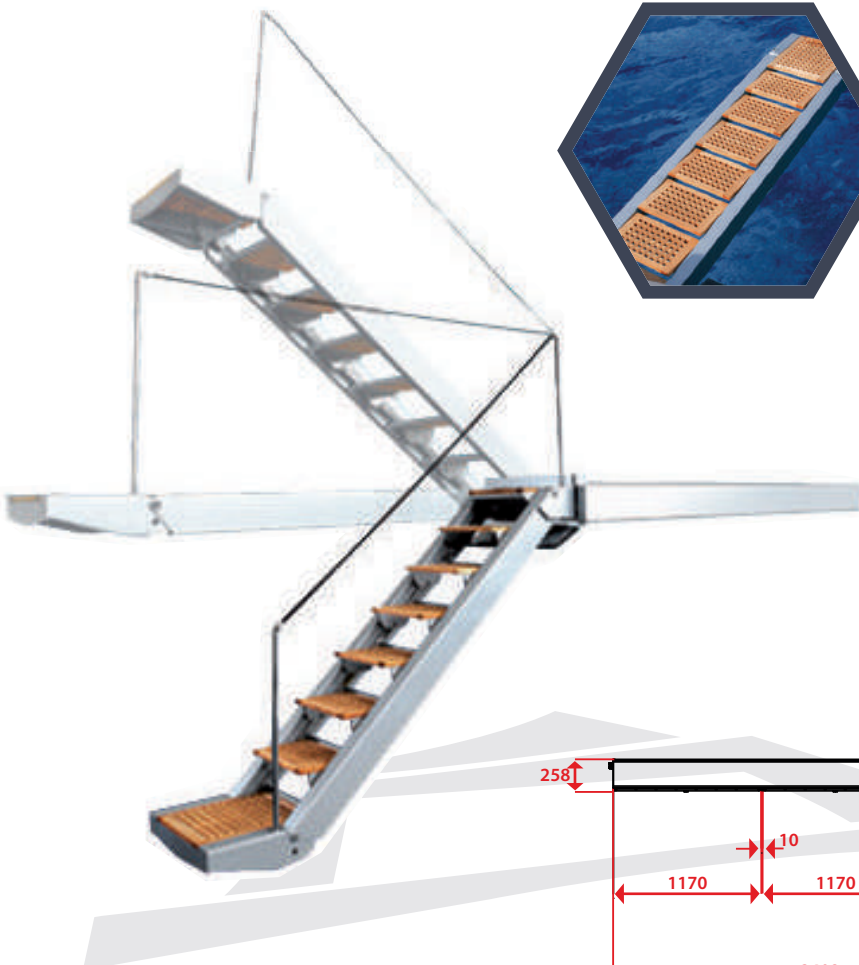
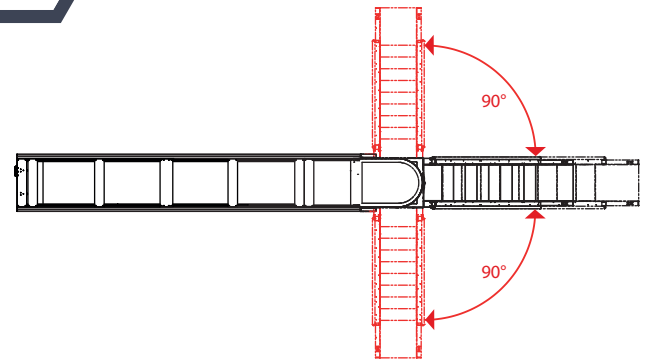
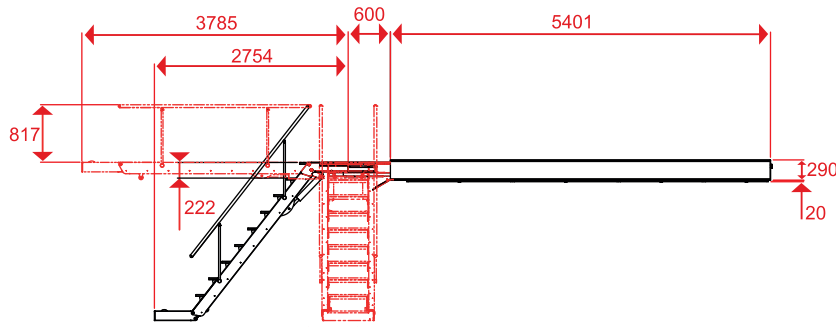
# STAINLESS STEEL MULTIFUNCTIONAL GANGWAYS

Box gangways which can be used as swim ladders or king stepladders for large yachts. Their frame is made of AISI 316 L stainless steel, mirror polished for model 3610, painted for the other models; they have teak footwalk and are housed in a box made of anodized aluminium. Walkway is composed of self-aligning steps and landings, stanchions are rigid and manual. Dimensions and number of steps depend on customer's request.



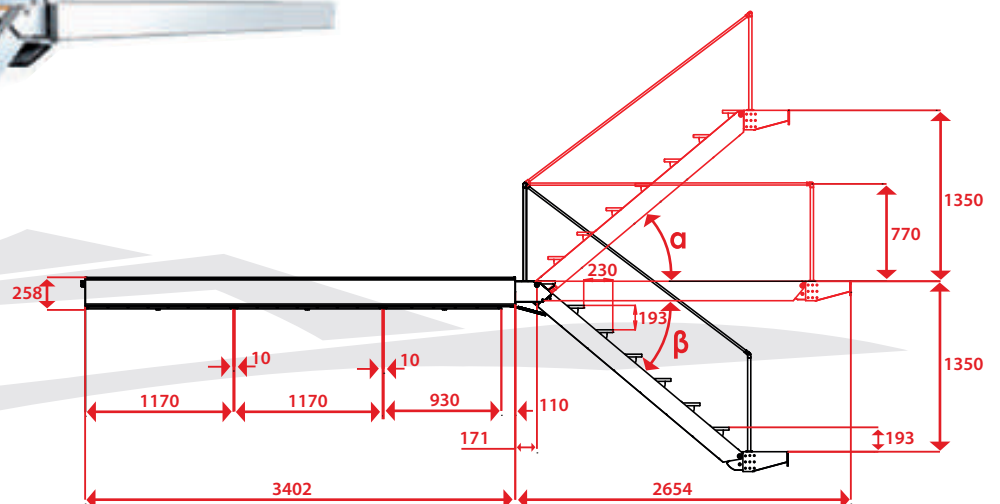
## model 3610 180° rotation

Multifunctional rotating box gangway which can be used as a king stepladder, it features 180° rotation and variable vertical orientation through two landings and eight self-aligning steps. Hydraulic movements are handled by an electronic unit. Loading capacity is 150 kg (passengers' boarding only).

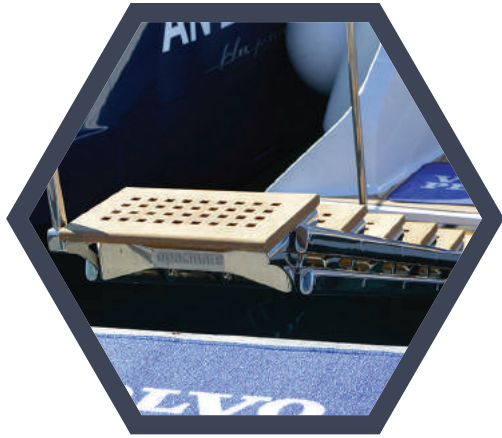


## model 3612

Box gangway which can be used as a king stepladder, it features upwards and downwards 40° orientation. It is ideal for mooring at variable heights. It is supplied with rigid manual stanchions. Hydraulic movements are handled by an electronic unit. Two versions are available, with six or eight self-aligning steps and two landings. Loading capacity is 150 kg (passengers' boarding only).







## model 3622E

Fully automated box gangway which can be used as a ladder, to land on high docks, or as a beach stepladder to get into water and get back onboard.

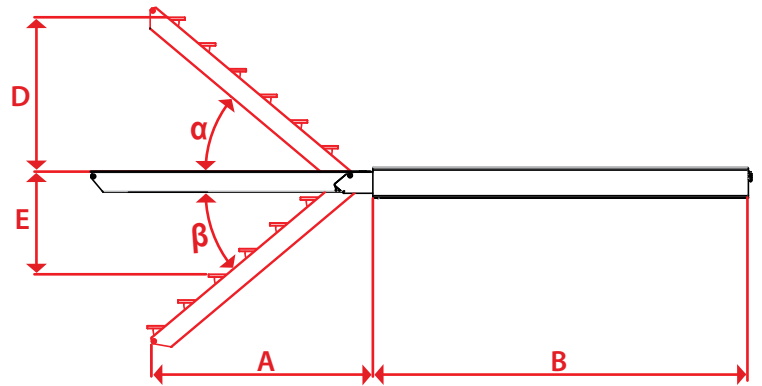
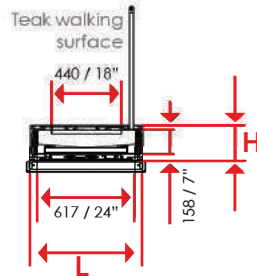
It can be supplied with five of seven self-aligning teak steps and one landing; it is supplied with a special trolley in order to clear any hurdle and to have an inclination point moved forward to make docks access easier. It allows the boarding of 150 kg maximum (one person at a time).

## model 3623 LUX

Box gangway/ladder with self-aligning steps; it features upwards and downwards orientation. Its structure is similar to model 3612 but it has a more compact box, reduced in height, like model 3622.

Three versions are available, It can be folded inside boxes with 710 mm widths, number of steps ranges from 5 to 7, depending on customer's needs.

Loading capacity is 150 kg (passengers' boarding only).

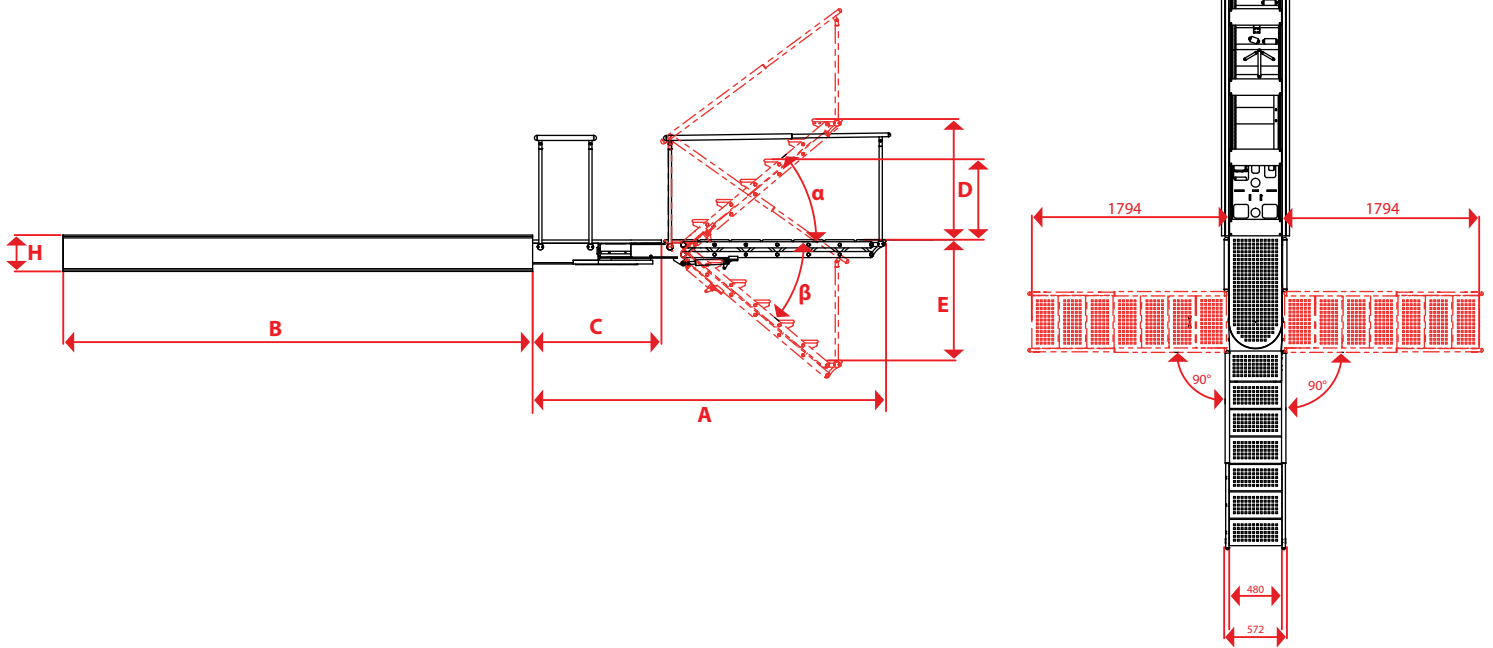
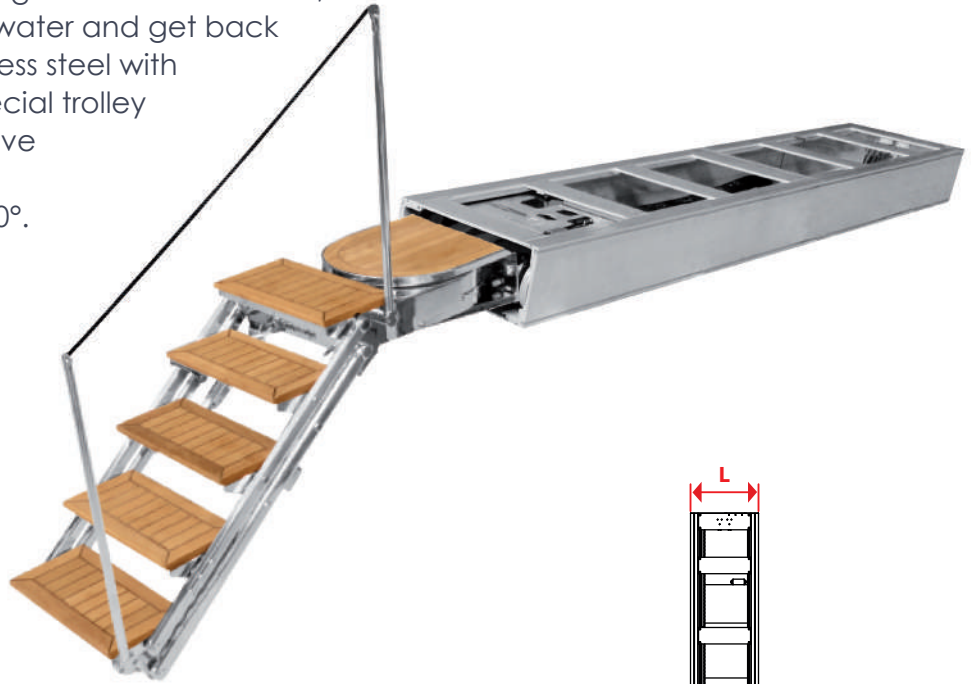


MODEL	A (mm/inch)	B (mm/inch)	C (mm/inch)	D (mm/inch)	E (mm/inch)	F (mm/inch)	G (mm/inch)	H (mm/inch)	L (mm/inch)	Weight (Kg/lbs)	α	β	n° steps
3610/44	4385/173"	5400/213"	600/23" <sup>2</sup> / <sub>3</sub>	2110/83"			570/22" <sup>1</sup> / <sub>2</sub>	290/11" <sup>1</sup> / <sub>2</sub> / <sub>5</sub>	900/35" <sup>2</sup> / <sub>5</sub>	1315/2900		52°	8
3610/59	5885/232"	6900/272"	600/23" <sup>2</sup> / <sub>3</sub>	3295/130"			570/22" <sup>1</sup> / <sub>2</sub>	290/11" <sup>1</sup> / <sub>2</sub> / <sub>5</sub>	900/35" <sup>2</sup> / <sub>5</sub>	1660/3660		52°	13
3612/20	2050/81"	2855/112"	170/6" <sup>2</sup> / <sub>3</sub>	960/38"	960/38"			230/9"	710/28"		40°	40°	6
3612/27	2655/105"	3400/134"	170/6" <sup>2</sup> / <sub>3</sub>	1350/53"	1350/53"			230/9"	710/28"		40°	40°	8
3612/29	2845/112"	3655/143" <sup>4</sup> / <sub>5</sub>	350/13" <sup>4</sup> / <sub>5</sub>	1350/53"	1350/53"			230/9"	710/28"		40°	40°	8
3622E /12	1110/43" <sup>3</sup> / <sub>5</sub>	1570/61" <sup>4</sup> / <sub>5</sub>	316/12" <sup>2</sup> / <sub>5</sub>	450/17" <sup>3</sup> / <sub>5</sub>	450/17" <sup>3</sup> / <sub>5</sub>	635/25"	345/13" <sup>1</sup> / <sub>2</sub>	156/6"	446/17" <sup>1</sup> / <sub>2</sub>		40°	40°	4
3622E /14	1350/53"	1770/69" <sup>3</sup> / <sub>5</sub>	316/12" <sup>2</sup> / <sub>5</sub>	600/23" <sup>3</sup> / <sub>5</sub>	600/23" <sup>3</sup> / <sub>5</sub>	810/31" <sup>4</sup> / <sub>5</sub>	345/13" <sup>1</sup> / <sub>2</sub>	156/6"	446/17" <sup>1</sup> / <sub>2</sub>		40°	40°	5
3622E /20	1910/75"	2300/90" <sup>1</sup> / <sub>2</sub>	316/12" <sup>2</sup> / <sub>5</sub>	932/36" <sup>3</sup> / <sub>5</sub>	932/36" <sup>3</sup> / <sub>5</sub>	1210/47" <sup>3</sup> / <sub>5</sub>	345/13" <sup>1</sup> / <sub>2</sub>	156/6"	446/17" <sup>1</sup> / <sub>2</sub>		40°	40°	7
3623/16	1520/60"	2115/83"	170/6" <sup>2</sup> / <sub>3</sub>	840/33"	840/33"		440/17"	230/9"	710/28"	280/620	40°	40°	5
3623/19	1820/72"	2465/97"	170/6" <sup>2</sup> / <sub>3</sub>	1030/40"	1030/40"		440/17"	230/9"	710/28"	298/650	40°	40°	6
3623/21	2120/83"	2815/111"	170/6" <sup>2</sup> / <sub>3</sub>	1225/48"	1225/48"		440/17"	230/9"	710/28"	315/695	40°	40°	7
3623/41	4045/159"	4750/187"	900/35" <sup>2</sup> / <sub>5</sub>	2020/79" <sup>1</sup> / <sub>2</sub>	2300/90" <sup>1</sup> / <sub>2</sub>		440/17"	230/9"	710/28"	600/1323	40°	40°	11

# STAINLESS STEEL MULTIFUNCTIONAL GANGWAYS

## model 3620

Multifunctional rotating box gangway folded in a box made of anodized aluminium, with self-aligning steps. This gangway can be used as a ladder, to land on high stern or side docks, or as a beach stepladder to get into water and get back onboard. It is made of AISI 316 L stainless steel with teak covering. It is supplied with a special trolley in order to clear any hurdle and to have an inclination point moved forward; it features horizontal rotation up to 180°. Dimensions and number of steps depend on customer's needs. It allows the boarding of 150 kg. maximum (one person at a time).



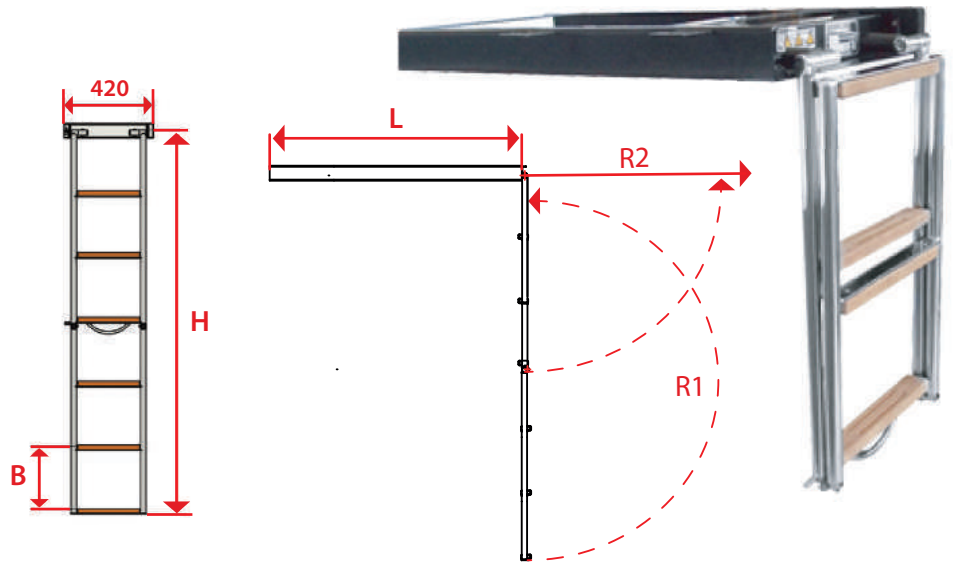
MODEL	A (mm/inch)	B (mm/inch)	C (mm/inch)	D (mm/inch)	E (mm/inch)	F (mm/inch)	G (mm/inch)	H (mm/inch)	L (mm/inch)	Weight (Kg/lbs)	$\alpha$	$\beta$	n° steps
3620/24	2325/91"	3250/128"	1030/40"	640/25"	640/25"		480/19"	290/11"1/1	620/24"1/1	572/1260			5
3620/29	2825/111"	3750/148"	1030/40"	965/38"	965/38"		480/19"	290/11"1/2	620/24"1/2	592/1305			7





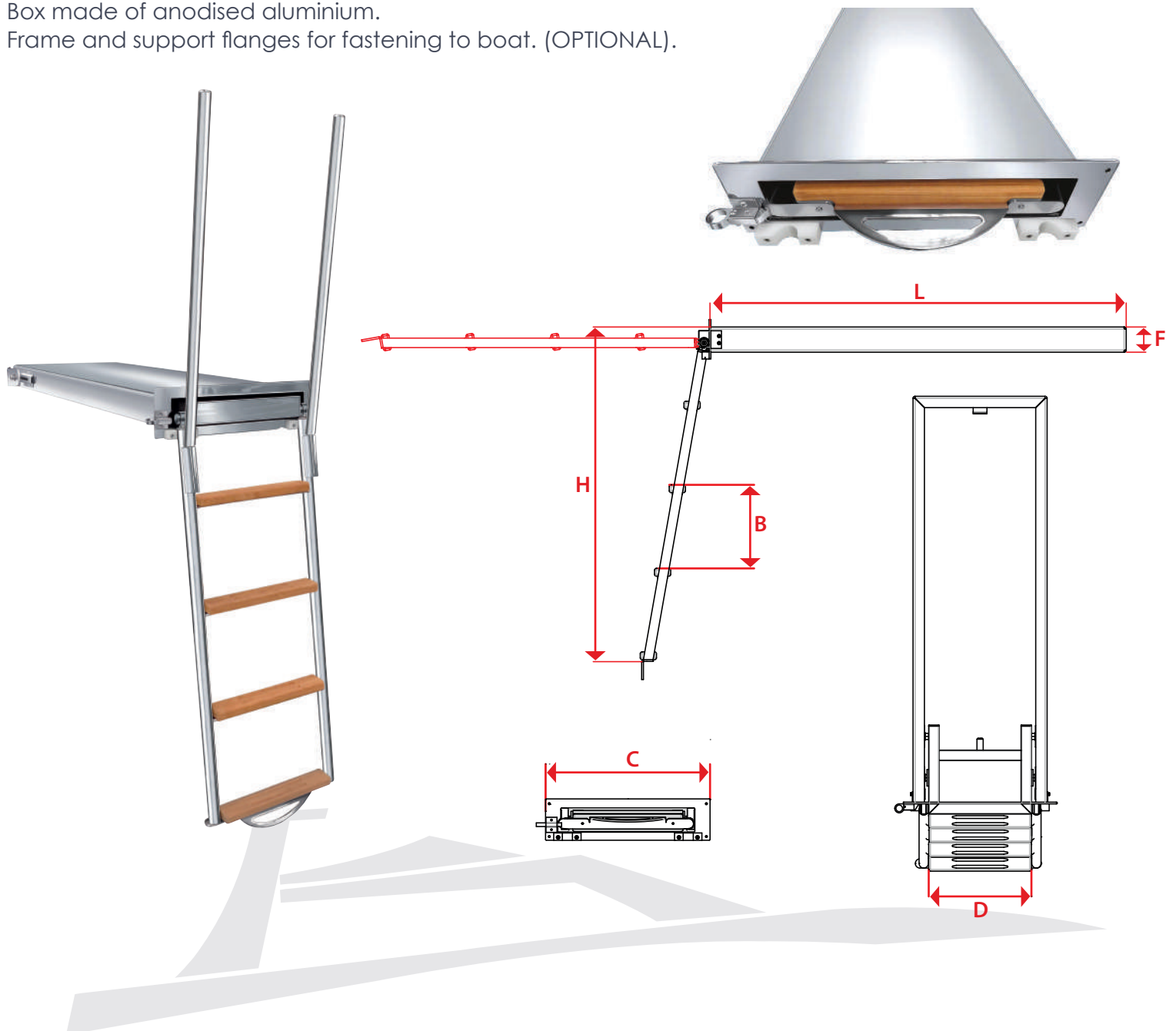
**model 3236**

Manually foldable beach stepladder which can be folded inside a stainless steel box reduced in height. This ladder has been designed to allow assembly of quite long ladders even on small and medium size boats, which have little room for ladder box.



**model 3234**

Box made of anodised aluminium. Frame and support flanges for fastening to boat. (OPTIONAL).



## STAINLESS STEEL SWIM LADDERS



### models 3220-3224

These are the "comfort" versions of the swim ladder range, hydraulically operated, with double line of stanchions and automatically-positioned handrail.

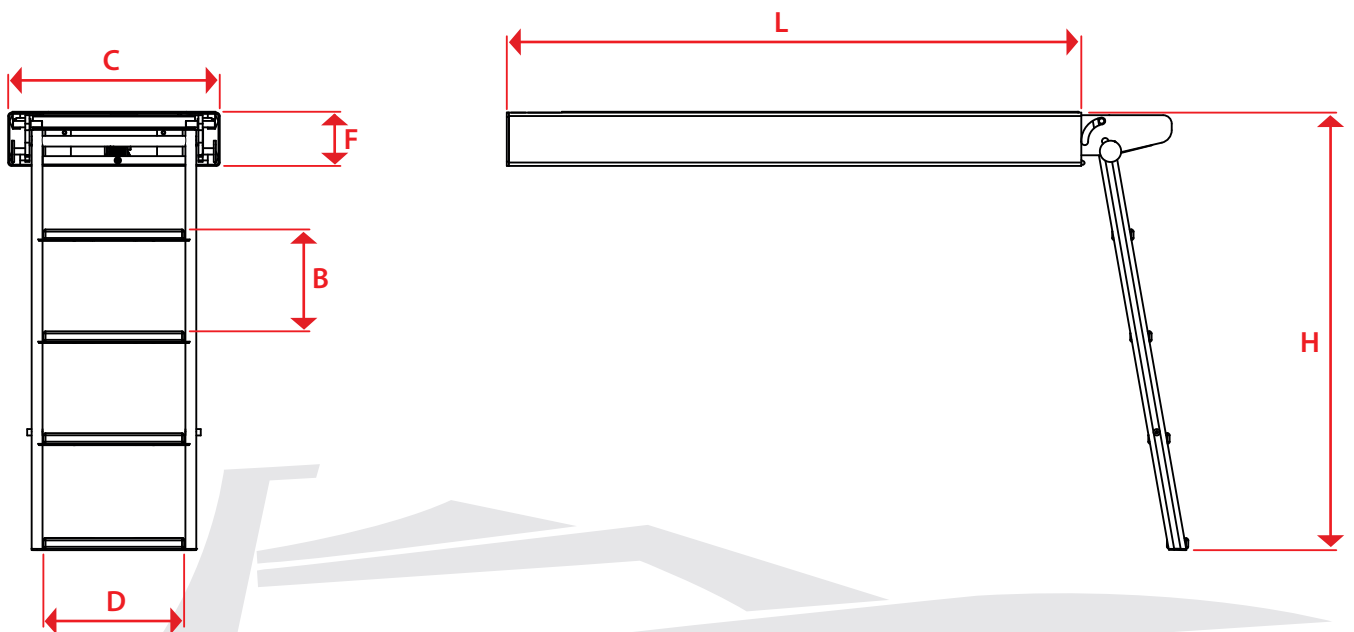
Eight models are available with four, five or six steps in teak and watertight stainless steel housing.



### model 3226

STANDARD VERSION WITHOUT STANCHIONS AND HANDRAIL.

Hydraulic control unit with emergency kit 12 / 24v, frame and support flanges for fastening to boat. (OPTIONAL).





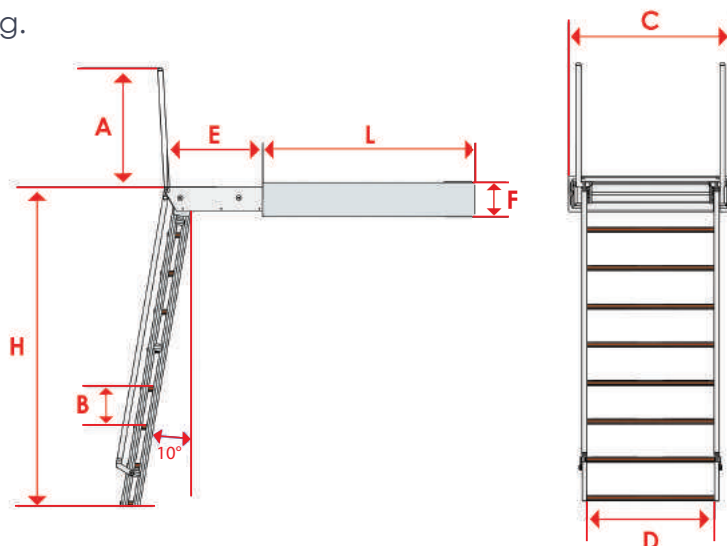


**model 3242**

Extra large hydraulically operated "luxury" swim ladder. It features a wide platform incorporated in the trolley and is available with double line of stanchions, automatically-positioned handrail and variable-inclination steps. Three versions of this model are currently available with seven or eight steps and water tight anodized aluminium housing.

**model 3253**

Completely automatic telescopic beach stepladder. Double row of stanchions with automatic positioning.

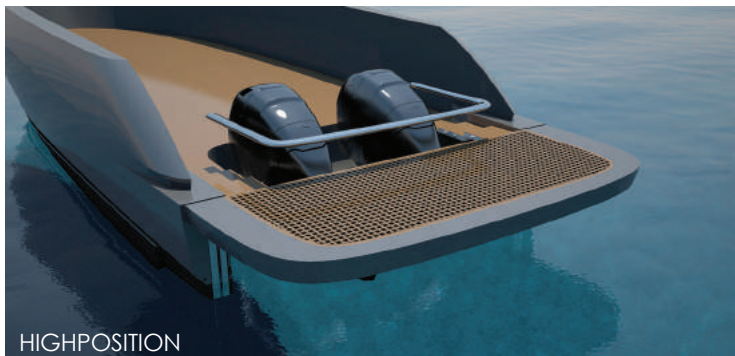
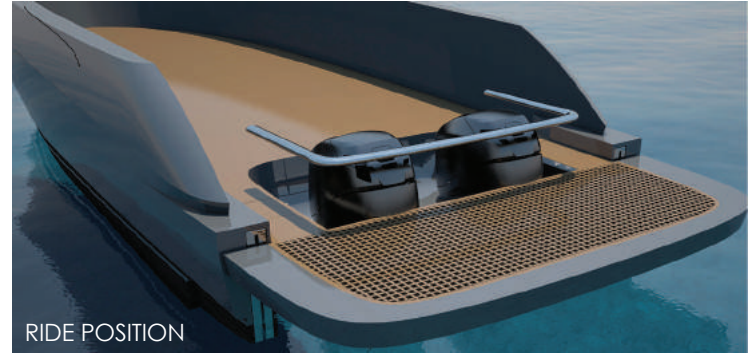
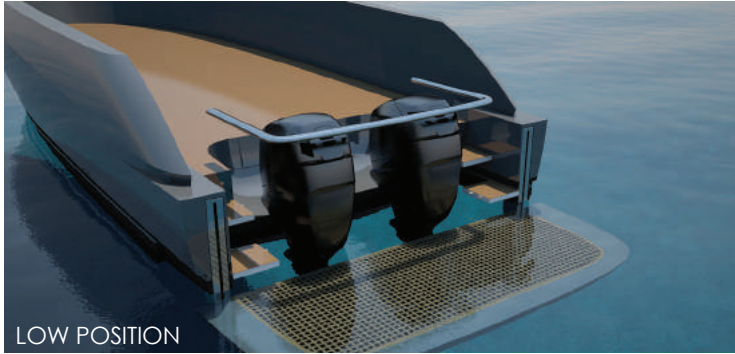


MODEL	L (mm/inch)	H (mm/inch)	B (mm/inch)	C (mm/inch)	D (mm/inch)	E (mm/inch)	F (mm/inch)	n° Step	R1 (mm/inch)	R2 (mm/inch)
3236/09	880/35"	1210/48"	300/12"					4	590/23"	620/25"
3236/11	1180/47"	1810/71"	300/12"					6	890/35"	920/36"
3234/09	1180/46"	905/36"	237 / 9" 1/2					4		
3234/11	1420/56"	1120/44"	222 / 8" 3/4					5		
3220/13	1350/53"	1020/40"	253/10"					4		
3220/16	1640/65"	1270/50"	260/10" 1/4 /					5		
3220/19	1900/75"	1570/62"	260/10" 1/4 /					6		
3220/22	2200/87"	1850/73"	300/11" 4/5					6		
3224/13	1350/53"	1020/40"	253/10"					4		
3224/16	1640/65"	1270/50"	260/10" 1/4					5		
3224/19	1900/75"	1570/62"	260/10" 1/4					6		
3224/22	2200/87"	1850/73"	300/11" 4/5					6		
3226/11	1180/46"	800/31"	280/11"					3		
3226/13	1350/53"	1020/40"	253/10"					4		
3242/22	2140/84"	1860/73"	225/9"	910/36"	698/27" 1/2	160/6" 1/3	210/8" 1/4	7		
3242/28	2740/108"	2085/82"	225/9"	960/38"	748/29"	560/22"	210/8" 1/4	8		
3242/32	3140/124"	2085/82"	225/9"	960/38"	748/29"	760/30"	210/8" 1/4	8		

We would like to present you S.A.F.E., the new high-low stern platform for outboard-powered boats.

**model 5250**

**S.A.F.E.** creates a full-beam private beach on the aft end of the boat, allowing an easy and safe access to the water. Thanks to the patented electro-hydraulic lifting mechanism, the platform can be adjusted to three different levels:



- 1 - LOW:** when the boat is at anchor, the platform's upper face is approximately 10 cm under water level
- 2 - RIDE:** when the boat is sailing, the platform is leveled with the cockpit
- 3 - HIGH:** to allow the engines to be trimmed up

**S.A.F.E.** can be synchronized with the outboard trim system of the outboard engines:

- when the platform is underwater, the engines cannot be started
- when the engines are running the platform cannot be lowered down
- when the platform is in HIGH configuration, engines can be trimmed up

The system is suitable both for mono hull and catamaran with single/double/triple/quad engines.

The major benefits and features are:

- complete safety from propeller danger
- easy water access: children and elderly come easily in and out of the water without the need of the bathing ladder
- easy and safe dock access on high position: platform on level with the pier
- small tender and water toys can be easily lifted out of the water and stored on the platform
- deck area increased up to 30%
- private island area at the stern
- stabilization of boat at rest with the platform in the lower position
- better protection of outboard engines during docking
- improved sport-fishing ability: walk-around at the stern
- joystick maneuvering preserved
- emergency engine kick-up function preserved by a dedicated hatch in the platform
- propeller check/clean/change possibility



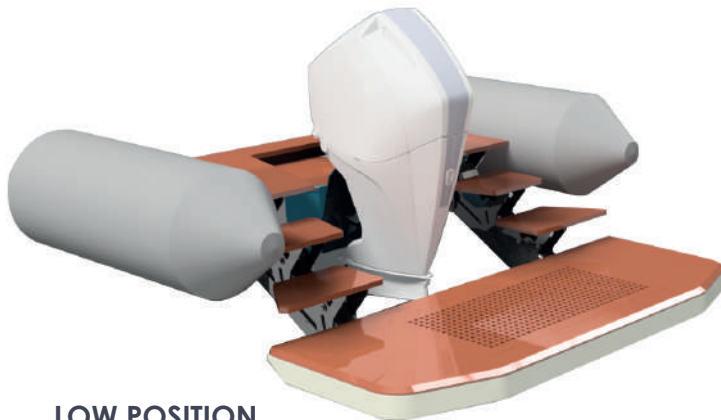


We would like to present you S.A.F.E., the new high-low stern platform for outboard-powered boats.

### model 5270

**S.A.F.E.** creates a full-beam private beach on the aft end of the boat, allowing an easy and safe access to the water. Thanks to the patented electro-hydraulic lifting mechanism, the platform can be adjusted to three different levels:

#### ONE OR TWO OPTIONAL STEPS



**LOW POSITION**



**RIDE POSITION**



**HIGH POSITION**

**1 - LOW:** when the boat is at anchor, the platform can stay under water

**2 - RIDE:** when the boat is sailing, the platform is leveled with the cockpit

**3 - HIGH:** to allow the engines to be trimmed up

**S.A.F.E.** can be synchronized with the outboard trim system of the outboard engines:

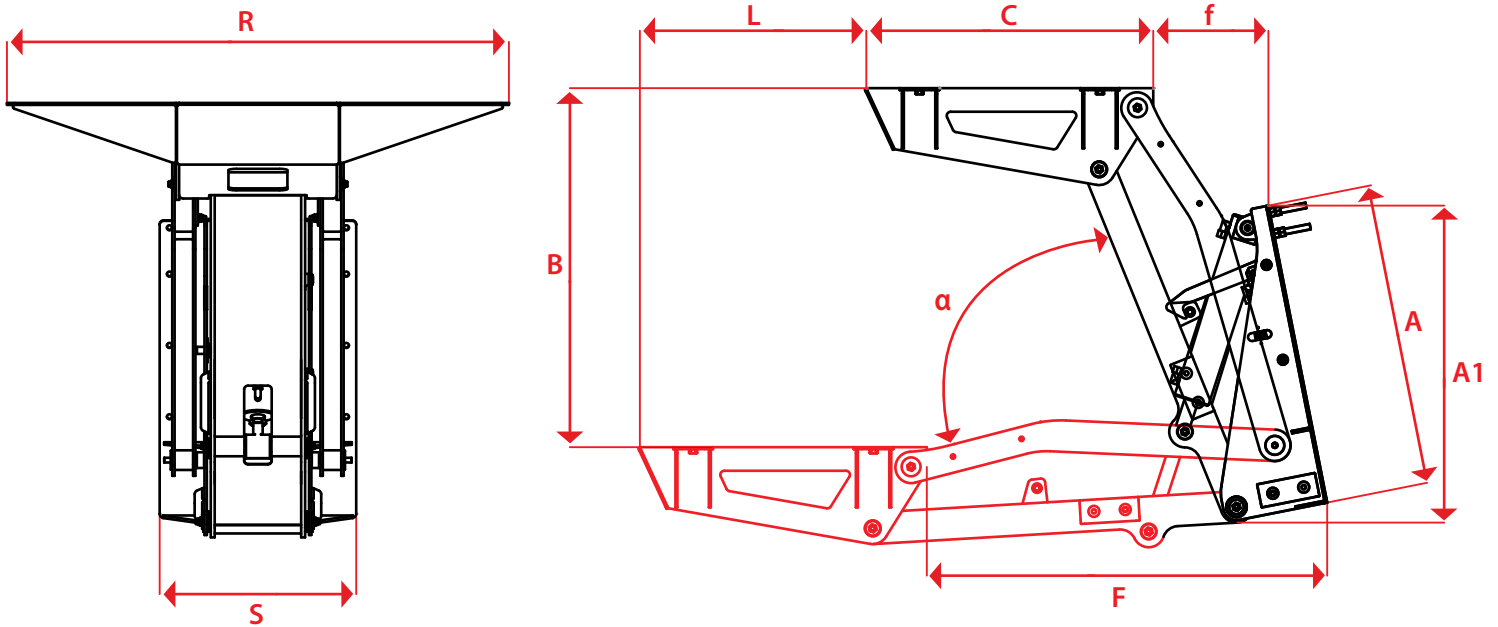
- when the platform is underwater, the engines cannot be started
- when the engines are running the platform cannot be lowered down
- when the platform is in HIGH configuration, engines can be trimmed up

The system is suitable both for mono hull and catamaran with single/double/triple/quad engines.

The major benefits and features are:

- S.A.F.E. 5270 is also suitable for refitting
- complete safety from propeller danger
- easy water access: children and elderly come easily in and out of the water without the need of the bathing ladder
- easy and safe dock access on high position: platform on level with the pier
- small tender and water toys can be easily lifted out of the water and stored on the platform
- deck area increased up to 30%
- private island area at the stern
- stabilization of boat at rest with the platform in the lower position
- better protection of outboard engines during docking
- improved sport-fishing ability: walk-around at the stern
- joystick maneuvering preserved
- emergency engine kick-up function preserved by a dedicated hatch in the platform
- propeller check/clean/change possibility

The declared lifting capacity is assured if the load is positioned in the middle of measure C.  
The loading capacity includes the total platform weight (at shipyard's care), the full loaded tender or the jet ski. Tendelift standard version is electro-polished only.



MODEL	A (mm/inch)	A1 (mm/inch)	B (mm/inch)	C (mm/inch)	F (mm/inch)	f (mm/inch)	L (mm/inch)	M (mm/inch)	$\alpha$	R (mm/inch)	S (mm/inch)	Capacity standard (Kg/lbs)
5227/95.02	650/26"	740/29"	935/37"	830/33"	805/32"	485/19"	320/13"	150/6"	0°	1275/50"	930/37"	800/1770
5227/95.03	770/30"	805/32"	910/36"	730/29"	1010/40"	300/12"	575/23"	300/12"	11°	1275/50"	500/20"	600/1350





## TENDER LIFT

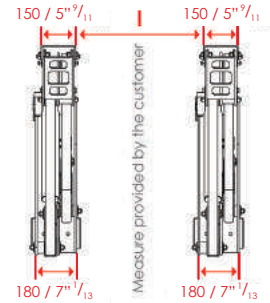
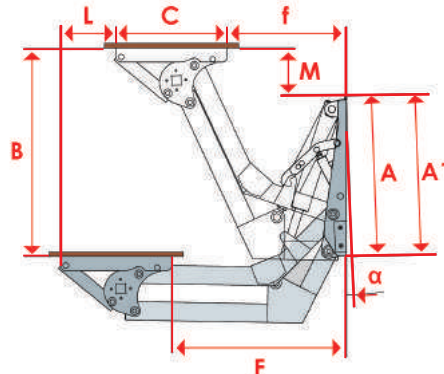
Hydraulically lifted mechanisms for stern platforms which allow and facilitate dingy, tender and water scooter launching and haulage; more than 80 models have been designed.

They are completely made of AISI 316 L stainless steel and are supplied with either two arms; loading capacities range between 300 and 2.000 kg.

Optional supplies are a connection bar between the arms, a safety blocking system by means of hydraulic pistons, adjustable plates and slide.



**model 3300**



**model 3311**



MODEL	A (mm/inch)	A1 (mm/inch)	B (mm/inch)	C (mm/inch)	F (mm/inch)	f (mm/inch)	L (mm/inch)	M (mm/inch)	α	Capacity standard (Kg/lbs)	Capacity optional (Kg/lbs)
3300/65	575/23"	605/24"	685/27"	680/27"	420/16"	525/21"	-105/4" 1/5	-55/2" 1/5	0°	600/1350	
3300/73	640/25"	670/26"	720/28"	680/27"	585/23"	575/23"	10/ 2/5"	-22/ 7/8"	0°	600/1350	
3300/84	680/27"	710/28"	845/33"	680/27"	490/19"	575/23"	-90/3" 1/2	-64/2" 1/2	0°	600/1350	
3300/11	680/27"	710/28"	1160/46"	680/27"	660/26"	775/31"	-115/4" 1/2	80/3" 1/5	0°	600/1350	
3301/73	595/23"	625/25"	730/29"	455/18"	740/29"	535/21"	205/8"	200/7" 4/5	0°	500/1100	
3301/90	595/23"	625/25"	905/35"	460/18"	710/28"	455/18"	250/9" 4/5	270/10" 3/5	0°	500/1100	
3302/90	695/27"	725/28"	900/35"	480/19"	755/30"	515/20"	240/9" 1/2	200/7" 4/5	0°	600/1350	
3302/90.06	655/25" 4/5	670/26" 2/5	880/34" 3/5	555/21" 4/5	680/26" 4/5	410/16"	270/10" 3/5	220/8" 3/5	1°	600/1350	
3302/90.10	565/22" 1/5	580/22" 4/5	870/34" 1/5	555/21" 4/5	680/26" 4/5	380/15"	300/11" 4/5	320/12" 3/5	0°	600/1350	
3302/90.11	655/25" 4/5	670/26" 2/5	910/35" 4/5	850/33" 1/2	575/22" 3/5	450/17" 3/5	125/5"	141/5" 1/2	2°	600/1350	
3302/11	675/27"	705/28"	1045/41"	650/26"	845/33"	440/17"	410/16"	445/17" 1/2	0°	600/1350	
3311/10.70	700/27" 1/2	710/28"	925/36" 2/5	650/25" 1/2	790/31"	415/16" 1/3	375/14" 3/4	335/13"	2°	600/1350	800/1770
3311/10.80	700/27" 1/2	710/28"	1025/40" 1/3	650/25" 1/2	510/20"	120/4" 3/4	395/15" 1/2	320/12" 1/2	2°	600/1350	800/1770
3311/12.05	565/22" 1/5	595/23" 2/5	1150/45" 2/5	650/25" 1/2	800/31" 1/2	630/24" 4/5	170/6" 2/3	470/18" 1/2	4,5°	1000/2200	-
3311/12.06	675/26" 1/2	705/27" 3/4	1140/45"	650/25" 1/2	875/34" 2/5	555/21" 4/5	320/12" 1/2	465/18" 1/3	0°	1000/2200	-
3311/13	675/26" 1/2	705/27" 3/4	1325/52" 2/5	550/21" 3/5	900/35" 2/5	735/29"	170/6" 2/3	400/15" 5/7	0°	600/1350	800/1770
3311/14	795/31" 1/5	825/32" 2/5	1350/53"	700/27" 1/2	1025/40" 1/3	730/28" 3/4	295/11" 3/5	455/18"	12°	1200/2650	-

# TENDER LIFT



model 5223



model 5225



model 5222



MODEL	A (mm/inch)	A1 (mm/inch)	B (mm/inch)	C (mm/inch)	F (mm/inch)	f (mm/inch)	L (mm/inch)	M (mm/inch)	α	R (mm/inch)	S (mm/inch)	Capacity standard (Kg/lbs)	Capacity optional (Kg/lbs)
5222/90.01	603/23 <sup>2</sup> / <sub>3</sub>	613/24"	840/33"	450/17 <sup>2</sup> / <sub>3</sub>	736/29"	420/16 <sup>1</sup> / <sub>2</sub>	316/12 <sup>2</sup> / <sub>5</sub>	283/11 <sup>1</sup> / <sub>5</sub>	0°	143/5 <sup>2</sup> / <sub>3</sub>	137/5 <sup>1</sup> / <sub>3</sub>	600/1350	
5222/90.02	700/27 <sup>1</sup> / <sub>2</sub>	710/28"	900/35 <sup>2</sup> / <sub>5</sub>	625/24 <sup>3</sup> / <sub>5</sub>	660/26"	300/11 <sup>4</sup> / <sub>5</sub>	360/14 <sup>1</sup> / <sub>5</sub>	275/10 <sup>4</sup> / <sub>5</sub>	0°	177/7"	160/6 <sup>1</sup> / <sub>5</sub>	900/2000	
5222/90.03	610/24"	620/24 <sup>2</sup> / <sub>5</sub>	910/35 <sup>4</sup> / <sub>5</sub>	625/24 <sup>3</sup> / <sub>5</sub>	555/21 <sup>4</sup> / <sub>5</sub>	330/13"	225/8 <sup>4</sup> / <sub>5</sub>	250/9 <sup>4</sup> / <sub>5</sub>	0°	177/7"	160/6 <sup>1</sup> / <sub>5</sub>	700/1550	
5222/90.04	590/23 <sup>1</sup> / <sub>5</sub>	600/23 <sup>3</sup> / <sub>5</sub>	855/33 <sup>3</sup> / <sub>5</sub>	805/31 <sup>3</sup> / <sub>5</sub>	730/28 <sup>3</sup> / <sub>4</sub>	465/18 <sup>1</sup> / <sub>3</sub>	265/10 <sup>2</sup> / <sub>5</sub>	270/10 <sup>3</sup> / <sub>5</sub>	0°	177/7"	160/6 <sup>1</sup> / <sub>5</sub>	700/1550	
5222/90.05	610/24"	620/24 <sup>2</sup> / <sub>5</sub>	885/34 <sup>3</sup> / <sub>5</sub>	805/31 <sup>3</sup> / <sub>5</sub>	550/21 <sup>3</sup> / <sub>5</sub>	335/13"	215/8 <sup>2</sup> / <sub>5</sub>	240/10 <sup>2</sup> / <sub>5</sub>	1,5°	177/7"	160/6 <sup>1</sup> / <sub>5</sub>	800/1770	
5222/90.07	550/21 <sup>3</sup> / <sub>5</sub>	550/21 <sup>3</sup> / <sub>5</sub>	900/35 <sup>2</sup> / <sub>5</sub>	685/27"	505/20"	270/10 <sup>3</sup> / <sub>5</sub>	235/9 <sup>1</sup> / <sub>5</sub>	300/11 <sup>4</sup> / <sub>5</sub>	2°	177/7"	160/6 <sup>1</sup> / <sub>5</sub>	800/1770	
5222/90.09	615/24 <sup>1</sup> / <sub>5</sub>	660/26"	910/35 <sup>4</sup> / <sub>5</sub>	760/30"	505/20"	230/9"	275/10 <sup>4</sup> / <sub>5</sub>	270/10 <sup>3</sup> / <sub>5</sub>	-2°	177/7"	160/6 <sup>1</sup> / <sub>5</sub>	600/1350	
5222/90.10	700/27 <sup>1</sup> / <sub>2</sub>	710/28"	905/35 <sup>3</sup> / <sub>5</sub>	955/37 <sup>3</sup> / <sub>5</sub>	780/30 <sup>2</sup> / <sub>3</sub>	485/19"	295/11 <sup>3</sup> / <sub>5</sub>	240/9 <sup>2</sup> / <sub>5</sub>	1,5°	177/7"	160/6 <sup>1</sup> / <sub>5</sub>	900/2000	
5222/90.12	700/27 <sup>1</sup> / <sub>2</sub>	710/28"	910/35 <sup>4</sup> / <sub>5</sub>	825/32 <sup>1</sup> / <sub>2</sub>	720/28 <sup>1</sup> / <sub>3</sub>	385/15 <sup>1</sup> / <sub>5</sub>	335/13 <sup>1</sup> / <sub>5</sub>	240/9 <sup>2</sup> / <sub>5</sub>	1,5°	177/7"	160/6 <sup>1</sup> / <sub>5</sub>	900/2000	
5222/90.15	620/24 <sup>2</sup> / <sub>5</sub>	630/24 <sup>4</sup> / <sub>5</sub>	885/34 <sup>3</sup> / <sub>5</sub>	465/18 <sup>1</sup> / <sub>3</sub>	710/28"	350/13 <sup>4</sup> / <sub>5</sub>	360/14 <sup>1</sup> / <sub>5</sub>	280/11"	0°	177/7"	160/6 <sup>1</sup> / <sub>5</sub>	600/1350	
5222/90.17	603/23 <sup>2</sup> / <sub>3</sub>	613/24"	840/33"	450/17 <sup>2</sup> / <sub>3</sub>	740/29"	420/16 <sup>1</sup> / <sub>2</sub>	320/12 <sup>3</sup> / <sub>5</sub>	285/11 <sup>1</sup> / <sub>5</sub>	0°	143/5 <sup>2</sup> / <sub>3</sub>	137/5 <sup>1</sup> / <sub>3</sub>	600/1350	
5222/90.18	700/27 <sup>1</sup> / <sub>2</sub>	710/28"	910/35 <sup>4</sup> / <sub>5</sub>	935/36 <sup>4</sup> / <sub>5</sub>	715/28 <sup>1</sup> / <sub>3</sub>	390/15 <sup>2</sup> / <sub>5</sub>	325/12 <sup>4</sup> / <sub>5</sub>	230/9"	2°	177/7"	160/6 <sup>1</sup> / <sub>5</sub>	600/1350	
5222/90.19	603/23 <sup>2</sup> / <sub>3</sub>	613/24"	845/33 <sup>2</sup> / <sub>5</sub>	470/18 <sup>1</sup> / <sub>2</sub>	710/28"	400/15 <sup>3</sup> / <sub>4</sub>	310/12 <sup>1</sup> / <sub>5</sub>	275/10 <sup>4</sup> / <sub>5</sub>	1°	143/5 <sup>2</sup> / <sub>3</sub>	137/5 <sup>1</sup> / <sub>3</sub>	600/1350	
5222/90.22	610/24"	620/24 <sup>2</sup> / <sub>5</sub>	890/35"	805/31 <sup>3</sup> / <sub>5</sub>	590/23 <sup>1</sup> / <sub>5</sub>	370/14 <sup>3</sup> / <sub>5</sub>	220/8 <sup>3</sup> / <sub>5</sub>	240/9 <sup>2</sup> / <sub>5</sub>	1,5°	177/7"	160/6 <sup>1</sup> / <sub>5</sub>	800/1770	
5222/90.23	785/31"	795/31 <sup>1</sup> / <sub>3</sub>	920/36 <sup>1</sup> / <sub>5</sub>	935/36 <sup>4</sup> / <sub>5</sub>	740/29"	475/18 <sup>2</sup> / <sub>3</sub>	265/10 <sup>2</sup> / <sub>5</sub>	125/5"	1,5°	177/7"	160/6 <sup>1</sup> / <sub>5</sub>	800/1770	
5222/90.24	603/23 <sup>2</sup> / <sub>3</sub>	613/24"	840/33"	470/18 <sup>1</sup> / <sub>2</sub>	720/28 <sup>1</sup> / <sub>3</sub>	400/15 <sup>3</sup> / <sub>4</sub>	320/12 <sup>3</sup> / <sub>5</sub>	280/11"	1°	143/5 <sup>2</sup> / <sub>3</sub>	137/5 <sup>1</sup> / <sub>3</sub>	800/1770	
5222/90.25	530/20 <sup>8</sup> / <sub>10</sub>	538/24"	905/35 <sup>3</sup> / <sub>5</sub>	905/35 <sup>3</sup> / <sub>5</sub>	958/37 <sup>7</sup> / <sub>10</sub>	575/22 <sup>6</sup> / <sub>10</sub>	383/15 <sup>7</sup> / <sub>10</sub>	473/11"	0°	177/7"	160/6 <sup>1</sup> / <sub>5</sub>	800/1770	
5222/10.01	700/27 <sup>1</sup> / <sub>2</sub>	710/28"	990/39"	620/24 <sup>2</sup> / <sub>5</sub>	845/33"	423/16 <sup>2</sup> / <sub>5</sub>	422/16 <sup>3</sup> / <sub>5</sub>	378/14 <sup>4</sup> / <sub>5</sub>	0°	177/7"	160/6 <sup>1</sup> / <sub>5</sub>	800/1770	
5222/10.03	547/21 <sup>1</sup> / <sub>2</sub>	715/28 <sup>1</sup> / <sub>6</sub>	1039/40 <sup>2</sup> / <sub>3</sub>	905/35 <sup>3</sup> / <sub>5</sub>	785/31"	525/20 <sup>3</sup> / <sub>5</sub>	275/10 <sup>4</sup> / <sub>5</sub>	260/10 <sup>1</sup> / <sub>5</sub>	1°	177/7"	160/6 <sup>1</sup> / <sub>5</sub>	800/1770	
5222/10.05	725/28 <sup>1</sup> / <sub>2</sub>	735/29"	930/36 <sup>3</sup> / <sub>5</sub>	805/31 <sup>3</sup> / <sub>5</sub>	565/22 <sup>1</sup> / <sub>5</sub>	320/12 <sup>1</sup> / <sub>2</sub>	230/9"	135/5 <sup>1</sup> / <sub>3</sub>	1°	177/7"	160/6 <sup>1</sup> / <sub>5</sub>	800/1770	
5222/10.07	530/20 <sup>4</sup> / <sub>5</sub>	540/21 <sup>2</sup> / <sub>5</sub>	985/38 <sup>4</sup> / <sub>5</sub>	900/35 <sup>2</sup> / <sub>5</sub>	965/38"	645/25 <sup>2</sup> / <sub>5</sub>	320/12 <sup>3</sup> / <sub>5</sub>	465/18 <sup>1</sup> / <sub>3</sub>	1°	177/7"	160/6 <sup>1</sup> / <sub>5</sub>	900/2000	
5222/10.10	725/28 <sup>1</sup> / <sub>2</sub>	735/29"	930/36 <sup>3</sup> / <sub>5</sub>	805/31 <sup>3</sup> / <sub>5</sub>	895/35 <sup>1</sup> / <sub>5</sub>	770/30 <sup>1</sup> / <sub>3</sub>	125/5"	135/5 <sup>1</sup> / <sub>3</sub>	1°	177/7"	160/6 <sup>1</sup> / <sub>5</sub>	800/1770	
5222/10.12	730/28 <sup>3</sup> / <sub>5</sub>	740/29 <sup>1</sup> / <sub>7</sub>	1015/40"	755/29 <sup>3</sup> / <sub>4</sub>	530/20 <sup>4</sup> / <sub>5</sub>	355/14"	175/6 <sup>4</sup> / <sub>5</sub>	140/5 <sup>1</sup> / <sub>2</sub>	3,5°	177/7"	160/6 <sup>1</sup> / <sub>5</sub>	850/1874	
5222/10.14	530/20 <sup>4</sup> / <sub>5</sub>	540/21 <sup>2</sup> / <sub>5</sub>	985/38 <sup>4</sup> / <sub>5</sub>	900/35 <sup>2</sup> / <sub>5</sub>	965/38"	645/25 <sup>2</sup> / <sub>5</sub>	320/12 <sup>3</sup> / <sub>5</sub>	465/18 <sup>1</sup> / <sub>3</sub>	1°	177/7"	160/6 <sup>1</sup> / <sub>5</sub>	1000/2200	
5222/10.17	550/21 <sup>3</sup> / <sub>5</sub>	715/28 <sup>1</sup> / <sub>6</sub>	1045/41 <sup>1</sup> / <sub>7</sub>	905/35 <sup>3</sup> / <sub>5</sub>	775/30"	530/20 <sup>4</sup> / <sub>5</sub>	225/8 <sup>8</sup> / <sub>10</sub>	230/9"	1,5°	177/7"	160/6 <sup>1</sup> / <sub>5</sub>	700/1550	
5222/11.01	530/20 <sup>4</sup> / <sub>5</sub>	540/21 <sup>1</sup> / <sub>4</sub>	1070/42"	695/27 <sup>1</sup> / <sub>3</sub>	940/37"	645/25 <sup>1</sup> / <sub>3</sub>	295/11 <sup>3</sup> / <sub>5</sub>	465/18 <sup>1</sup> / <sub>3</sub>	1°	177/7"	160/6 <sup>1</sup> / <sub>5</sub>	600/1350	
5222/11.02	785/31"	795/31 <sup>1</sup> / <sub>5</sub>	1110/43 <sup>4</sup> / <sub>5</sub>	935/36 <sup>4</sup> / <sub>5</sub>	640/25 <sup>2</sup> / <sub>5</sub>	475/18 <sup>3</sup> / <sub>4</sub>	165/6 <sup>2</sup> / <sub>5</sub>	125/5"	1,5°	177/7"	160/6 <sup>1</sup> / <sub>5</sub>	1100/2400	
5222/12.04	860/33 <sup>4</sup> / <sub>5</sub>	860/33 <sup>4</sup> / <sub>5</sub>	1120/44"	1210/47 <sup>3</sup> / <sub>5</sub>	890/35"	490/19 <sup>2</sup> / <sub>7</sub>	400/15 <sup>3</sup> / <sub>4</sub>	260/10 <sup>1</sup> / <sub>5</sub>	10°	177/7"	160/6 <sup>1</sup> / <sub>5</sub>	1200/2646	
5222/12.05	705/27 <sup>4</sup> / <sub>5</sub>	715/28 <sup>1</sup> / <sub>6</sub>	1120/44"	805/31 <sup>3</sup> / <sub>5</sub>	1105/43 <sup>1</sup> / <sub>2</sub>	810/32"	295/11 <sup>3</sup> / <sub>5</sub>	430/17"	0°	177/7"	160/6 <sup>1</sup> / <sub>5</sub>	800/1770	
5222/13.01	785/31"	800/31 <sup>2</sup> / <sub>5</sub>	1330/52 <sup>1</sup> / <sub>3</sub>	755/29 <sup>3</sup> / <sub>4</sub>	845/33 <sup>1</sup> / <sub>5</sub>	515/20 <sup>1</sup> / <sub>5</sub>	330/13"	325/12 <sup>3</sup> / <sub>4</sub>	0°	177/7"	160/6 <sup>1</sup> / <sub>5</sub>	800/1770	
5223/11.02	1055/41 <sup>1</sup> / <sub>2</sub>	1055/41 <sup>1</sup> / <sub>2</sub>	1100/43"	1020/40"	1460/57 <sup>1</sup> / <sub>2</sub>	755/29 <sup>5</sup> / <sub>7</sub>	250/9 <sup>4</sup> / <sub>5</sub>	190/7 <sup>1</sup> / <sub>2</sub>	3°	370/14 <sup>1</sup> / <sub>2</sub>	215/8 <sup>1</sup> / <sub>2</sub>	1600/3500	2000/4400
5223/13.02	890/35"	890/35"	1310/51 <sup>3</sup> / <sub>5</sub>	1010/40"	755/29 <sup>5</sup> / <sub>7</sub>	445/17 <sup>1</sup> / <sub>2</sub>	250/9 <sup>4</sup> / <sub>5</sub>	230/9"	0°	370/14 <sup>1</sup> / <sub>2</sub>	215/8 <sup>1</sup> / <sub>2</sub>	1350/2976	2000/4400
5223/13.03	1055/41 <sup>1</sup> / <sub>2</sub>	1055/41 <sup>1</sup> / <sub>2</sub>	1285/50 <sup>1</sup> / <sub>2</sub>	1020/40"	1340/52 <sup>6</sup> / <sub>8</sub>	1010/40"	330/13"	280/11"	2°	354/14"	229/9"	1600/3500	2000/4400
5225/10.01	420/16 <sup>1</sup> / <sub>2</sub>	600/23 <sup>2</sup> / <sub>3</sub>	955/37 <sup>2</sup> / <sub>3</sub>	525/20 <sup>2</sup> / <sub>3</sub>	750/29 <sup>1</sup> / <sub>2</sub>	230/9"	510/20"	290/11 <sup>2</sup> / <sub>5</sub>	1,5°	144/5 <sup>2</sup> / <sub>3</sub>		350/770	
5225/85.01	530/20 <sup>4</sup> / <sub>5</sub>	535/21"	830/32 <sup>2</sup> / <sub>3</sub>	625/24 <sup>2</sup> / <sub>3</sub>	490/19 <sup>1</sup> / <sub>5</sub>	260/10 <sup>1</sup> / <sub>5</sub>	215/8 <sup>2</sup> / <sub>5</sub>	245/9 <sup>3</sup> / <sub>5</sub>	1,5°	144/5 <sup>2</sup> / <sub>3</sub>	137/5 <sup>1</sup> / <sub>3</sub>	350/770	

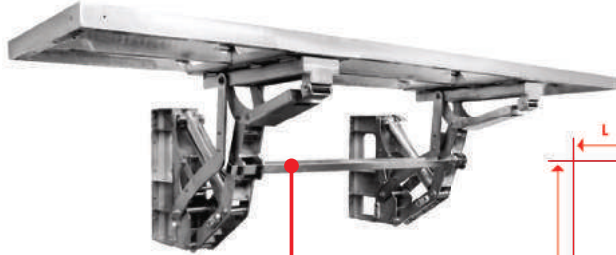




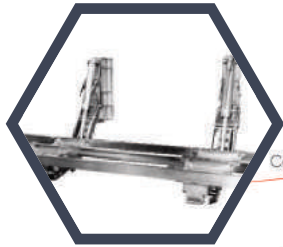
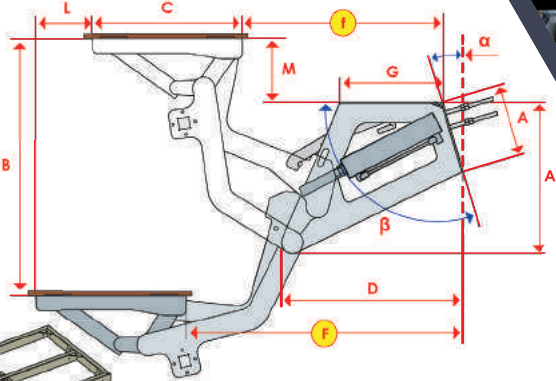
**model 5220**  
With integrated translating platform system



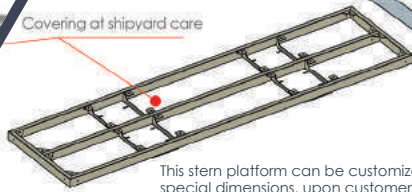
**STERN PLATFORM 5230.00 OPTIONAL**



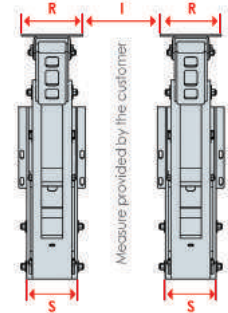
Connection bar between the arms (optional)



Covering at shipyard care



This stern platform can be customized with special dimensions, upon customer request



Tender lift 5221/5224 with angular fixing plate, to be installed on bulwarks with extended fixed platform portion

MODEL	A (mm/inch)	A1 (mm/inch)	B (mm/inch)	C (mm/inch)	D (mm/inch)	F (mm/inch)	f (mm/inch)	G (mm/inch)	L (mm/inch)	M (mm/inch)	N (mm/inch)	R (mm/inch)	S (mm/inch)	α	β	Capacity standard (Kg/lbs)
5220/82.01	515/20 <sup>1</sup> / <sub>5</sub>	515/20 <sup>1</sup> / <sub>5</sub>	810/31 <sup>4</sup> / <sub>5</sub>	735/29"		1040/41"	405/16"		530/20 <sup>4</sup> / <sub>5</sub>	185/7 <sup>1</sup> / <sub>5</sub>		280/11"	160/6 <sup>1</sup> / <sub>5</sub>	12°		500/1100
5220/90.02	565/22 <sup>1</sup> / <sub>5</sub>	670/26 <sup>2</sup> / <sub>5</sub>	880/34 <sup>1</sup> / <sub>3</sub>	600/23 <sup>2</sup> / <sub>3</sub>		920/36 <sup>1</sup> / <sub>5</sub>	370/14 <sup>1</sup> / <sub>2</sub>		465/18 <sup>1</sup> / <sub>3</sub>	190/7 <sup>2</sup> / <sub>5</sub>		280/11"	160/6 <sup>1</sup> / <sub>5</sub>	2,5°		600/1350
5220/90.03	565/22 <sup>1</sup> / <sub>5</sub>	670/26 <sup>2</sup> / <sub>5</sub>	890/35"	600/23 <sup>2</sup> / <sub>3</sub>		695/27 <sup>1</sup> / <sub>3</sub>	475/18 <sup>2</sup> / <sub>3</sub>		415/16 <sup>1</sup> / <sub>3</sub>	200/8 <sup>4</sup> / <sub>5</sub>		280/11"	160/6 <sup>1</sup> / <sub>5</sub>	2°		800/1800
5220/90.04	600/23 <sup>2</sup> / <sub>5</sub>	670/26 <sup>2</sup> / <sub>5</sub>	870/34 <sup>1</sup> / <sub>4</sub>	600/23 <sup>2</sup> / <sub>3</sub>		710/28"	420/16 <sup>1</sup> / <sub>2</sub>		470/18 <sup>1</sup> / <sub>2</sub>	180/7"		280/11"	160/6 <sup>1</sup> / <sub>5</sub>	2,5°		600/1350
5220/90.06	530/20 <sup>4</sup> / <sub>5</sub>	540/21 <sup>1</sup> / <sub>5</sub>	875/34 <sup>2</sup> / <sub>5</sub>	625/24 <sup>2</sup> / <sub>3</sub>		630/24 <sup>4</sup> / <sub>5</sub>	330/13"		440/17 <sup>1</sup> / <sub>2</sub>	325/12 <sup>4</sup> / <sub>5</sub>		280/11"	160/6 <sup>1</sup> / <sub>5</sub>	0°		800/1800
5220/10.01	695/27 <sup>1</sup> / <sub>3</sub>	710/28"	990/39"	710/28"		900/35 <sup>2</sup> / <sub>5</sub>	275/10 <sup>4</sup> / <sub>5</sub>		555/21 <sup>4</sup> / <sub>5</sub>	245/9 <sup>3</sup> / <sub>5</sub>		280/11"	160/6 <sup>1</sup> / <sub>5</sub>	2,5°		800/1800
5220/10.02	700/27 <sup>1</sup> / <sub>2</sub>	710/28"	980/38 <sup>1</sup> / <sub>2</sub>	620/24 <sup>2</sup> / <sub>5</sub>		825/32 <sup>1</sup> / <sub>2</sub>	295/11 <sup>3</sup> / <sub>5</sub>		505/20"	230/9"		280/11"	160/6 <sup>1</sup> / <sub>5</sub>	5,5°		800/1800
5220/10.03	570/22 <sup>1</sup> / <sub>2</sub>	605/23 <sup>4</sup> / <sub>5</sub>	935/36 <sup>1</sup> / <sub>5</sub>	710/28"		1055/41 <sup>1</sup> / <sub>5</sub>	150/5 <sup>4</sup> / <sub>5</sub>		710/28"	200/8 <sup>4</sup> / <sub>5</sub>		280/11"	228/9"	11,5°		300/660
5220/10.04	710/28"	710/28"	975/38 <sup>1</sup> / <sub>3</sub>	620/24 <sup>2</sup> / <sub>5</sub>		930/36 <sup>2</sup> / <sub>5</sub>	545/21 <sup>2</sup> / <sub>5</sub>		380/14 <sup>4</sup> / <sub>5</sub>	230/9"		280/11"	160/6 <sup>1</sup> / <sub>5</sub>	2°		800/1800
5220/10.05	695/27 <sup>1</sup> / <sub>3</sub>	705/27 <sup>3</sup> / <sub>4</sub>	975/38 <sup>1</sup> / <sub>3</sub>	715/28"		935/36 <sup>4</sup> / <sub>5</sub>	320/12 <sup>1</sup> / <sub>2</sub>		630/24 <sup>4</sup> / <sub>5</sub>	290/11 <sup>2</sup> / <sub>5</sub>		280/11"	160/6 <sup>1</sup> / <sub>5</sub>	-1°		800/1800
5220/10.06	650/25 <sup>3</sup> / <sub>5</sub>	720/28 <sup>1</sup> / <sub>3</sub>	965/38"	780/30 <sup>3</sup> / <sub>4</sub>		935/36 <sup>4</sup> / <sub>5</sub>	185/7 <sup>1</sup> / <sub>5</sub>		718/28 <sup>1</sup> / <sub>5</sub>	220/8 <sup>3</sup> / <sub>5</sub>		265/10 <sup>2</sup> / <sub>5</sub>	228/9"	3°		800/1800
5220/10.08	710/28"	720/28 <sup>1</sup> / <sub>3</sub>	965/38"	710/28"		640/25 <sup>1</sup> / <sub>5</sub>	395/15 <sup>1</sup> / <sub>2</sub>		445/17 <sup>1</sup> / <sub>2</sub>	210/8 <sup>1</sup> / <sub>4</sub>		280/11"	160/6 <sup>1</sup> / <sub>5</sub>	2,5°		800/1800
5220/10.10	710/28"	710/28"	985/38 <sup>3</sup> / <sub>4</sub>	620/24 <sup>2</sup> / <sub>5</sub>		825/32 <sup>2</sup> / <sub>5</sub>	300/11 <sup>4</sup> / <sub>5</sub>		500/19 <sup>3</sup> / <sub>5</sub>	220/8 <sup>3</sup> / <sub>5</sub>		280/11"	160/6 <sup>1</sup> / <sub>5</sub>	2,5°		800/1800
5220/10.14	850/27 <sup>1</sup> / <sub>2</sub>	850/28"	1020/38 <sup>3</sup> / <sub>4</sub>	650/24 <sup>2</sup> / <sub>5</sub>		1170/32 <sup>2</sup> / <sub>5</sub>	510/11 <sup>4</sup> / <sub>5</sub>		620/19 <sup>3</sup> / <sub>5</sub>	225/9"		265/10 <sup>2</sup> / <sub>5</sub>	160/6 <sup>1</sup> / <sub>5</sub>	2,5°		1000/2200
5220/10.15	710/28"	720/28 <sup>1</sup> / <sub>3</sub>	1000/39 <sup>1</sup> / <sub>3</sub>	655/25 <sup>3</sup> / <sub>4</sub>		1060/41 <sup>3</sup> / <sub>4</sub>	565/22 <sup>1</sup> / <sub>5</sub>		495/19 <sup>2</sup> / <sub>5</sub>	255/10"		280/11"	160/6 <sup>1</sup> / <sub>5</sub>	0°		800/1800
5220/10.16	670/26 <sup>2</sup> / <sub>5</sub>	670/26 <sup>2</sup> / <sub>5</sub>	1000/39 <sup>1</sup> / <sub>3</sub>	625/24 <sup>2</sup> / <sub>3</sub>		635/25"	370/14 <sup>1</sup> / <sub>2</sub>		425/16 <sup>2</sup> / <sub>5</sub>	290/11 <sup>2</sup> / <sub>5</sub>		280/11"	160/6 <sup>1</sup> / <sub>5</sub>	2°		1000/2200
5220/10.17	745/29 <sup>1</sup> / <sub>3</sub>	745/29 <sup>1</sup> / <sub>3</sub>	980/38 <sup>3</sup> / <sub>5</sub>	605/23 <sup>4</sup> / <sub>5</sub>		670/26 <sup>2</sup> / <sub>5</sub>	260/10 <sup>1</sup> / <sub>5</sub>		710/28"	230/9"		280/11"	160/6 <sup>1</sup> / <sub>5</sub>	2°		800/1800
5220/11.01	785/31"	795/31 <sup>1</sup> / <sub>5</sub>	1105/43 <sup>1</sup> / <sub>2</sub>	780/30 <sup>2</sup> / <sub>3</sub>		1000/39 <sup>2</sup> / <sub>5</sub>	520/20 <sup>1</sup> / <sub>2</sub>		480/19"	160/6 <sup>1</sup> / <sub>5</sub>		280/11"	160/6 <sup>1</sup> / <sub>5</sub>	0°		1000/2200
5220/11.02	795/31 <sup>1</sup> / <sub>5</sub>	795/31 <sup>1</sup> / <sub>5</sub>	1070/42"	605/23 <sup>4</sup> / <sub>5</sub>		820/32 <sup>2</sup> / <sub>4</sub>	525/20 <sup>3</sup> / <sub>5</sub>		480/19"	215/8 <sup>1</sup> / <sub>2</sub>		280/11"	160/6 <sup>1</sup> / <sub>5</sub>	2°		1000/2200
5220/11.03	810/31 <sup>4</sup> / <sub>5</sub>	810/31 <sup>4</sup> / <sub>5</sub>	1090/43"	650/25 <sup>3</sup> / <sub>5</sub>		880/34 <sup>3</sup> / <sub>5</sub>	510/20"		610/24"	220/8 <sup>3</sup> / <sub>5</sub>		280/11"	160/6 <sup>1</sup> / <sub>5</sub>	2,5°		1200/2645
5220/11.04	650/25 <sup>3</sup> / <sub>5</sub>	810/31 <sup>4</sup> / <sub>5</sub>	1080/42 <sup>1</sup> / <sub>2</sub>	650/25 <sup>3</sup> / <sub>5</sub>		930/36 <sup>3</sup> / <sub>5</sub>	565/22 <sup>1</sup> / <sub>5</sub>		655/25 <sup>4</sup> / <sub>5</sub>	240/9 <sup>2</sup> / <sub>5</sub>		280/11"	160/6 <sup>1</sup> / <sub>5</sub>	0°		800/1800
5220/12.01	795/31 <sup>1</sup> / <sub>5</sub>	795/31 <sup>1</sup> / <sub>5</sub>	1150/45 <sup>1</sup> / <sub>4</sub>	780/30 <sup>2</sup> / <sub>3</sub>		785/31"	530/20 <sup>4</sup> / <sub>5</sub>		455/18"	225/8 <sup>4</sup> / <sub>5</sub>		265/10 <sup>2</sup> / <sub>5</sub>	160/6 <sup>1</sup> / <sub>5</sub>	2,5°		1000/2200
5220/12.02	795/31 <sup>1</sup> / <sub>5</sub>	795/31 <sup>1</sup> / <sub>5</sub>	1240/48 <sup>4</sup> / <sub>5</sub>	780/30 <sup>2</sup> / <sub>3</sub>		750/29 <sup>1</sup> / <sub>2</sub>	520/20 <sup>1</sup> / <sub>2</sub>		425/16 <sup>3</sup> / <sub>4</sub>	250/9 <sup>4</sup> / <sub>5</sub>		265/10 <sup>2</sup> / <sub>5</sub>	160/6 <sup>1</sup> / <sub>5</sub>	10°		1000/2200
5221/95.01	265/10 <sup>1</sup> / <sub>2</sub>	555/21 <sup>4</sup> / <sub>5</sub>	940/37"	550/21 <sup>2</sup> / <sub>5</sub>	665/26 <sup>1</sup> / <sub>5</sub>	1010/40"	730/29"	380/15"	205/8"	235/9 <sup>1</sup> / <sub>4</sub>		200/7 <sup>4</sup> / <sub>5</sub>	215/8 <sup>1</sup> / <sub>2</sub>	16,5°	106,5°	300/660
5224/12	540/21 <sup>1</sup> / <sub>4</sub>	775/30 <sup>2</sup> / <sub>5</sub>	1160/45 <sup>2</sup> / <sub>3</sub>	1000/39 <sup>2</sup> / <sub>5</sub>		1020/40"	885/34 <sup>4</sup> / <sub>5</sub>		210/8 <sup>1</sup> / <sub>4</sub>	250/9 <sup>4</sup> / <sub>5</sub>	530/20 <sup>4</sup> / <sub>5</sub>	280/11"	160/6 <sup>1</sup> / <sub>5</sub>	2°		1000/2200
5226/85.02	520/20 <sup>2</sup> / <sub>5</sub>	580/22 <sup>4</sup> / <sub>5</sub>	815/12"	915/36"		1155/45"	420/16 <sup>1</sup> / <sub>2</sub>		755/30"	225/8 <sup>4</sup> / <sub>5</sub>		133/13"	160/6 <sup>1</sup> / <sub>5</sub>	-2°		400/880

ARMS LIFTING CAPACITY IS GUARANTEED AS LONG AS LOADS ARE IN THE CENTRE OF C POINT.

LOADING CAPACITY OF TENDER LIFT IN MOTION IS INTENDED AS TOTAL PLATFORM WEIGHT (AT SHIPYARD CARE) POSSIBLY WITH TENDER, JET SKI OR ELSE AT FULL LOAD. IT IS ADVISABLE TO MAKE HOLES ON MOBILE PLATFORM IN ORDER TO SOFTEN WAVE IMPACT.

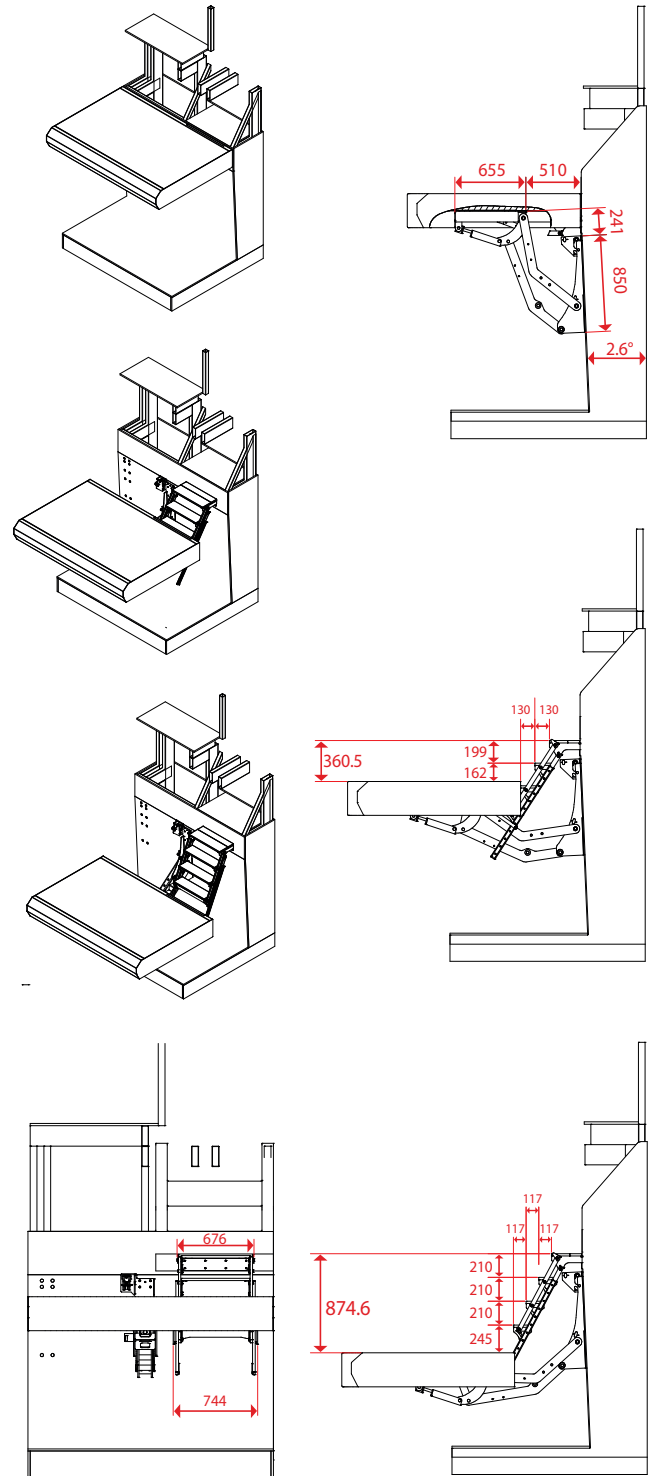
## TENDER LIFT WITH BEACH STEPLADDER

Tender lift for up and down movement of mobile platform. First step is flush with the platform, the other steps are house below the platform.

Fixed step placed on the hinge .

The system is composed of a sliding rail and of a connecting rod with fastening brake to manage the ladder movement in accordance with the platform.

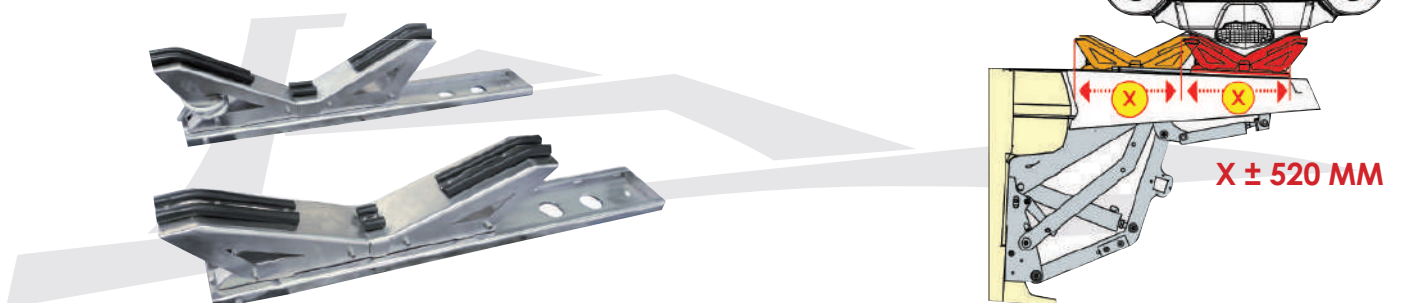
The latest generation hydraulic cylinders, the traditional sensors removal and the simplified hydraulic power pack make the maintenance much easier and significantly improve the arms synchronization.

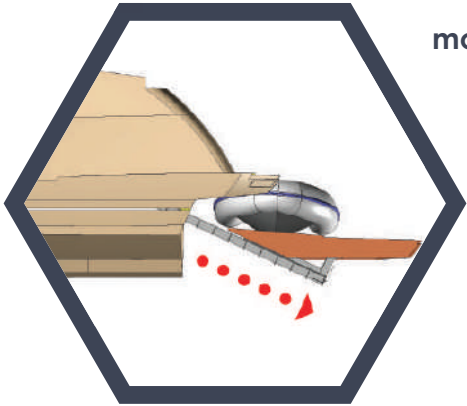


## MANUAL SLIDING SYSTEM MODEL 3520



This system allows a manual sliding movement of the tender on the platform (over 50 mm), and makes hauling operations easier.

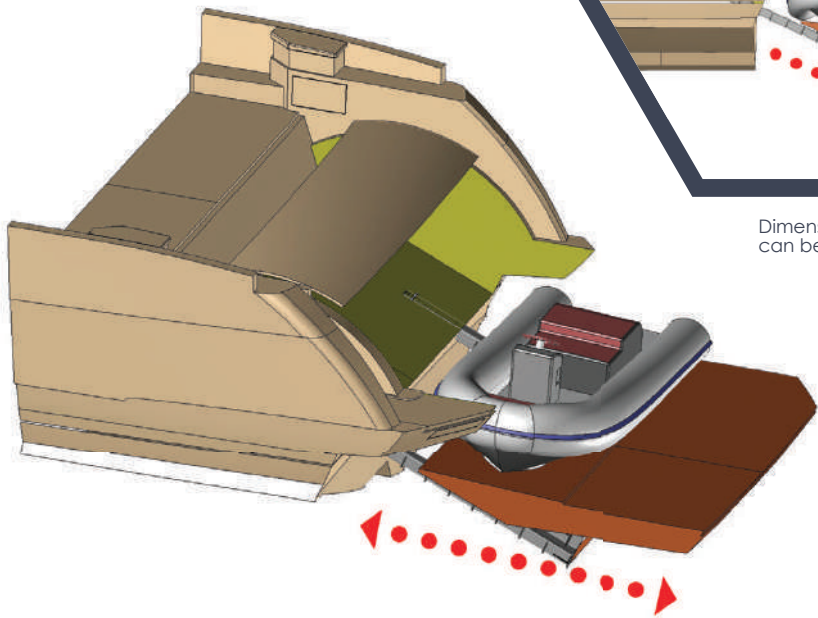




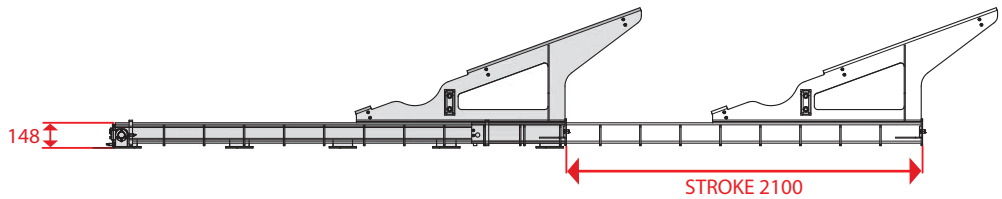
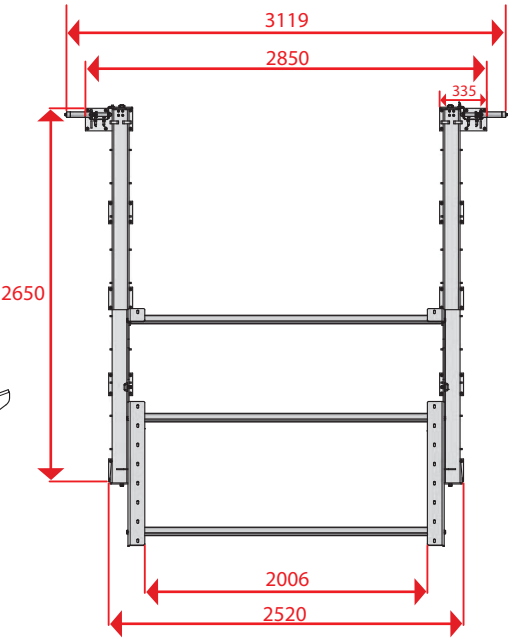
**model SLIDING PLATFORM 3321.21**

Platform translation system, to launch tenderlift or jet ski into water.

This system is fully automated as movements are obtained through hydraulic cylinders; it can be matched with a port opening system.

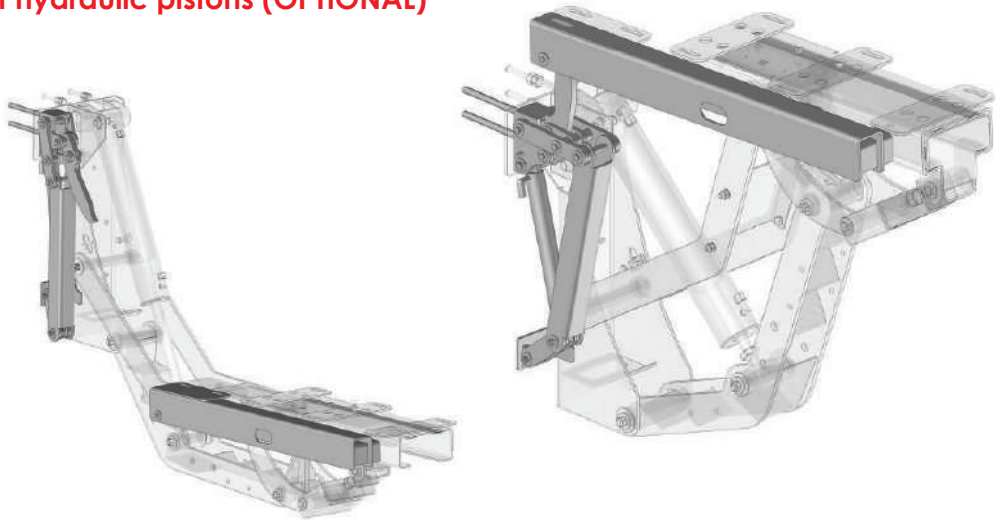


Dimensions, inclination and saddle shape can be customized upon customers request.3



**Pull and block system by means of hydraulic pistons (OPTIONAL)**

Thanks to the lift safety system, the platform is in-built with the deck when hooks are locked.



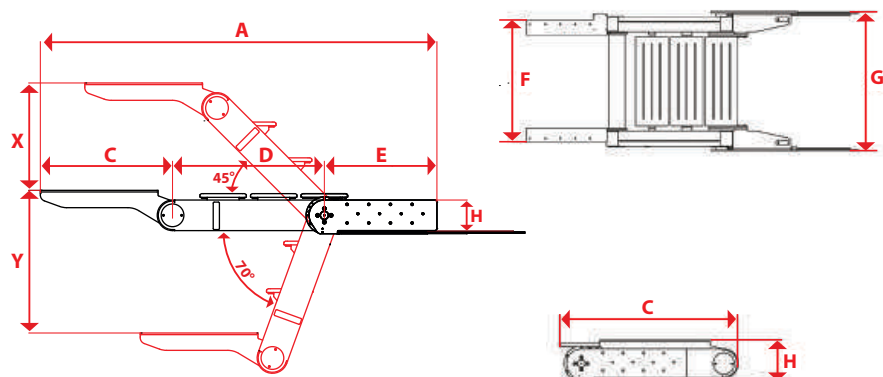
**PLATFORM ADJUSTMENT SYSTEM (OPTIONAL)**

This systems allows the height of the platform to be customized and adjusted up to a maximum of 20 mm, by screwing or unscrewing the adjustable supports.

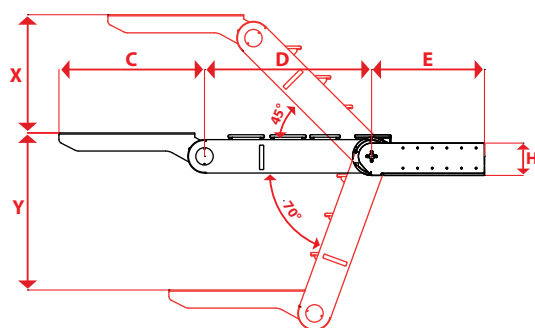


The loading capacity includes the total platform weight (at shipyard's care), the full loaded tender or the jet ski. The declared lifting capacity is assured if the load is positioned in the middle of measure C.  
**Specific for rubber dinghies, sailboats and all boats less than 30 feet.**

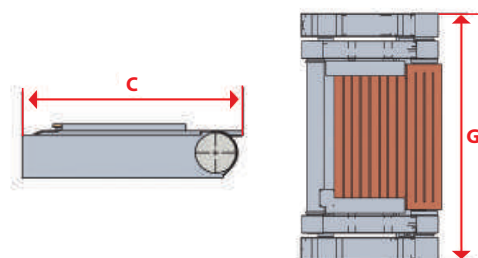
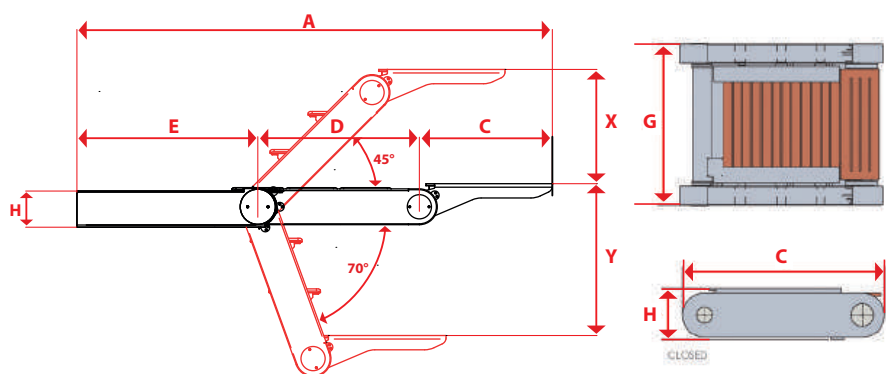
model 3341



model 3350



model 3360



MODEL	N° steps	A (mm/inch)	B (mm/inch)	C (mm/inch)	D (mm/inch)	E (mm/inch)	F (mm/inch)	G (mm/inch)	H (mm/inch)	X (mm/inch)	Y (mm/inch)	Dinamic Load (Kg/lbs)	Static Load (Kg/lbs)	Weight (Kg/lbs)
3341.30	3	1920/75" <sup>1</sup> / <sub>2</sub>	922/36" <sup>5</sup> / <sub>16</sub>	640/25" <sup>3</sup> / <sub>16</sub>	735/29"	545/21" <sup>1</sup> / <sub>2</sub>	854/33" <sup>3</sup> / <sub>5</sub>	985/38" <sup>3</sup> / <sub>4</sub>	210/8" <sup>1</sup> / <sub>4</sub>	520/20" <sup>1</sup> / <sub>2</sub>	481/19"	250/551	350/771	270/595
3351.30	3	2175/86"	955/38"	605/24"	735/29"	835/33"	955/38"	1550/61"	200/8"	520/20"	690/27"	150/330	300/660	430/950
3352.30	3	2175/86"	955/38"	605/24"	735/29"	835/33"	1025/40"	1650/65"	230/9"	620/24"	690/27"	350/770	600/1322	495/1090
3361.30	3	2190/86"	965/38"	605/24"	735/29"	850/33"	730/29"	1000/39"	260/10"	520/20"	690/27"	430/950	620/1366	
3362.40	4	2950/116"	1255/49"	950/37"	980/39"	1120/44"	730/29"	1000/39"	310/12"	695/27"	920/36"	600/1320	850/1874	

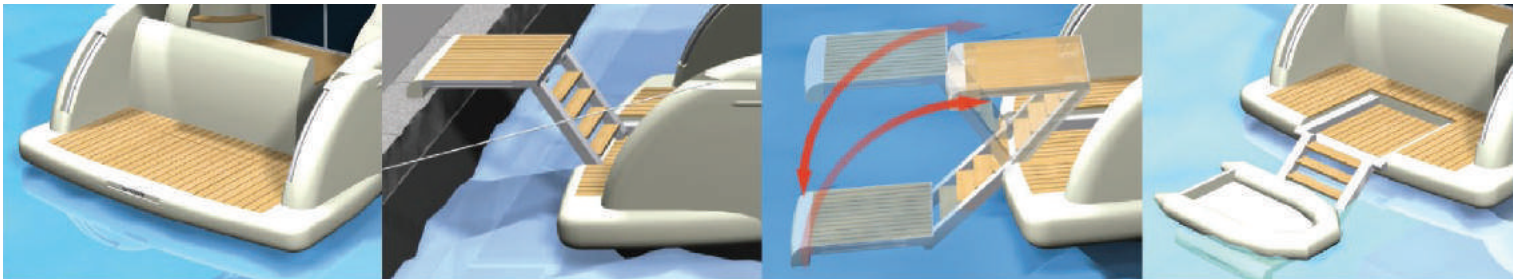




**model 3380**

Multifunctional platform with hydraulic handling system. Customized versions are available. For stern or bulwark installation, it can be used as gangway, swim ladder, tenderlift and lifting platform. When platform is fully open and in horizontal position, length of stern platform is tripled. There are 20 versions available with 4, 5, 6, 7 or 8 steps and loading capacities ranging from 300 up to 1.650 kg.

All TRANSFORMER® models series 3382 are also available in new version with structure and fairing made of CARBON FIBRE, which makes weight up to 50% lower.



**model 3390 TT**

For any model of "TRANSFORMER®" platform series 3380, there is an equivalent model series 3390T available, even in lighter version with structure and fairing made of CARBON FIBRE (series 3392TT). These versions are without steps, they can be used as tenderlift and lifting platform only.



Teak covering for stern platform is at shipyard care.



**Combination of “TRANSFORMER®” platform and gangway also suitable for side access and wheelchairs.**

Example of matching of “TRANSFORMER®” platform and telescopic box gangway model 1111 together. Cross assembly with two sections and double tilting access; box reduced in height to 156 mm only. It has been especially designed to allow side boarding of passengers, trolleys and means of transport for disabled people.

Gangway model 1111 is made of AISI 316 L stainless steel and has an extra wide (656 mm) step-free teak walkway, with leaning steps at variable slant and rigid manual stanchions on both sides.



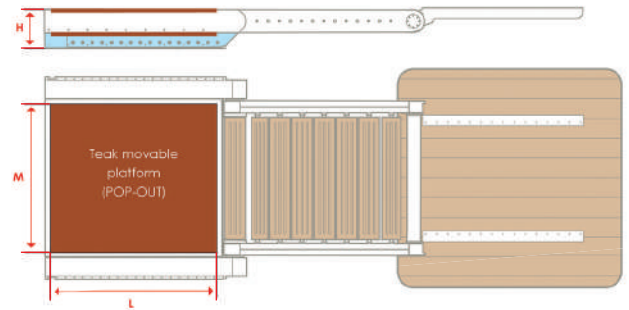
MODEL	N° steps	A (mm/inch)	B (mm/inch)	C (mm/inch)	D (mm/inch)	E (mm/inch)	F (mm/inch)	G (mm/inch)	H (mm/inch)	X (mm/inch)	Y (mm/inch)	Dinamic Load (Kg/lbs)	Static Load (Kg/lbs)	Loading capacity standard (Kg/lbs)	Weight (Kg/lbs)	CARBON FIBER
3341.30	3	1920/75" 1/2	922/36" 5/16	640/25" 3/16	735/29"	545/21" 1/2	854/33" 3/5	985/38" 3/4	210/8" 1/4	520/20" 1/2	481/19"	250/551	350/771		270/595	
3351.30	3	2175/86"	955/38"	605/24"	735/29"	835/33"	955/38"	1550/61"	200/8"	520/20"	690/27"	150/330	300/660		430/950	
3352.30	3	2175/86"	955/38"	605/24"	735/29"	835/33"	1025/40"	1650/65"	230/9"	620/24"	690/27"	350/770	600/1322		495/1090	
3361.30	3	2190/86"	965/38"	605/24"	735/29"	850/33"	730/29"	1000/39"	260/10"	520/20"	690/27"	430/950	620/1366			
3362.40	4	2950/116"	1255/49"	950/37"	980/39"	1120/44"	730/29"	1000/39"	310/12"	695/27"	920/36"	600/1320	850/1874			
3381.40	4	2920/115"	1205/47"	850/33"	980/39"	1090/43"	1165/46"	1805/71"	230/9"	695/27"	920/36"	300/650	400/882		520/1150	
3382.40	4	3305/130"	1205/47"	850/33"	980/39"	1475/58"	1165/46"	1860/73"	250/9" 1/4	695/27"	920/36"	600/1320	900/1984		600/1320	395/870
3382.50	5	4050/159"	1455/57"	1100/43"	1225/48"	1725/68"	1165/46"	1860/73"	250/9" 1/8	856/34"	1150/45"	420/950	750/1653		650/1430	440/970
3383.40	4	2940/116"	1210/48"	860/34"	980/39"	1100/43"	1395/55"	2070/81"	270/10" 1/8	695/27"	920/36"	980/2200	1300/2866		760/1670	
3383.50	5	3675/145"	1455/57"	1105/43"	1225/48"	1345/53"	1395/55"	2070/81"	270/10" 5/8	865/34"	1150/45"	700/1550	950/2094		830/1830	
3383.60	6	4410/174"	1700/67"	1350/53"	1470/58"	1590/63"	1395/55"	2070/81"	270/10" 3/8	1040/41"	1380/54"	550/1200	750/1653		900/1980	
3384.40	4	3090/122"	1280/50"	920/36"	1020/40"	1150/45"	1455/57"	2235/88"	300/12"	720/28"	960/38"	1650/3600	2500/5510		1070/2360	
3384.50	5	3860/152"	1540/61"	1175/46"	1275/50"	1410/55"	1455/57"	2310/91"	300/12"	900/35"	1200/47"	1300/2900	2200/4850		1150/2530	
3384.60	6	4625/182"	1795/71"	1430/56"	1530/60"	1665/66"	1455/57"	2310/91"	300/12"	1080/43"	1440/57"	1000/2200	1700/3750		1230/2710	
3384.80	8	6150/242"	2305/91"	1940/76"	2040/80"	2175/86"	1455/57"	2310/91"	300/12"	1440/57"	1915/75"	450/1000	760/1675		1470/3240	
3384.40 XL	4	3090/122"	1280/50"	920/36"	1020/40"	1150/45"	2455/97"	3235/127"	300/12"	720/28"	960/38"			1300/2900	1490/3080	
3384.50 XL	5	3860/152"	1540/61"	1175/46"	1275/50"	1410/55"	2455/97"	3235/127"	300/12"	900/35"	1200/47"			1000/2200	1490/3280	
3384.60 XL	6	4625/182"	1795/71"	1430/56"	1530/60"	1665/66"	2455/97"	3235/127"	300/12"	1080/43"	1440/57"			700/1550	1580/3480	
3385.50	5	4675/185"	1880/74"	1410/55"	1550/61"	1715/67"	1725/68"	2545/100"	360/14"	1100/43"	1455/57"	1600/3500	2300/5070		1870/4120	
3385.60	6	5605/220"	2190/86"	1720/68"	1860/73"	2025/80"	1725/68"	2545/100"	360/14"	1315/52"	1750/69"	1300/2900	1880/4150		1950/4300	
3385.70	7	6535/260"	2500/98"	2030/80"	2170/85"	2335/92"	1725/68"	2545/100"	360/14"	1535/60"	2040/80"	1000/2200	1450/3200		2030/4470	
3385.50 XL	5	4675/185"	1880/74"	1410/55"	1550/61"	1715/67"	2525/99"	3345/132"	360/14"	1100/43"	1455/57"	1300/2900	2100/4630		1908/4200	
3385.60 XL	6	5605/220"	2190/86"	1720/68"	1860/73"	2025/80"	2525/99"	3345/132"	360/14"	1315/52"	1750/69"	1000/2200	1680/3710		2077/4580	
3385.70 XL	7	6535/260"	2500/98"	2030/80"	2170/85"	2335/92"	2525/99"	3345/132"	360/14"	1535/60"	2040/80"	700/1550	1250/2760		2255/4970	

**GUARANTEED LIFTING CAPACITY WHEN LOADED AT THE BARYCENTRIC POINT ON C/2. LOADING CAPACITY IS MEANT FOR TOTAL PLATFORM WEIGHT (AT SHIPYARD CARE) AND FULL-LOAD TENDER, JET SKI POSSIBLY. IT IS ADVISABLE TO MAKE HOLES ON MOBILE PLATFORM IN ORDER TO SOFTEN WAVE IMPACT.**

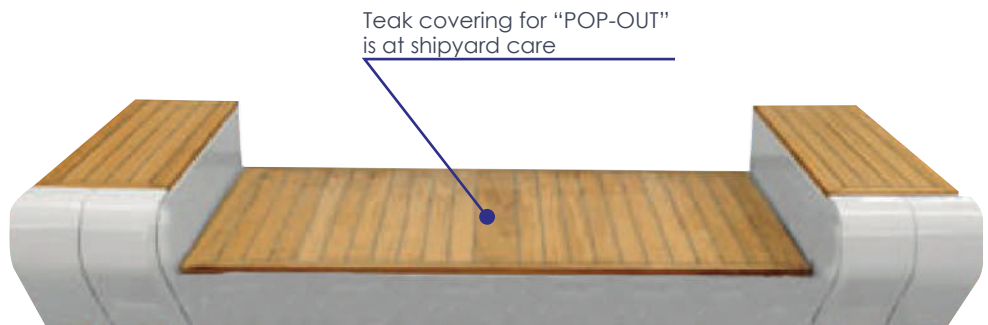


**model 3370 "POP-OUT" system (OPTIONAL)**

"POP-OUT" mobile platforms series 3370 can be adapted to any "TRANSFORMER®" platform model. This accessory automatically rises together with "TRANSFORMER®" platform and self-aligns to stern, avoiding uncomfortable stairs even when Transformer platform is open.



Example of **3374/80** "POP-OUT" system configuration combined with **3384/80** Transformer



MODEL POP-OUT	MODEL TRANSFORMER®	N° steps	L (mm/inch)	M (mm/inch)	H (mm/inch)	Total Weight (kg/lbs) POP-OUT + TRANSFORMER®
3372.40	3381.40	4	890/35"	1465/58"	375/14" <sup>3</sup> / <sub>4</sub>	745/1640
3372.40	3382.40	4	880/35"	1465/58"	395/15" <sup>1</sup> / <sub>2</sub>	835/1840
3372.50	3382.50	5	1125/44"	1465/58"	395/15" <sup>1</sup> / <sub>2</sub>	915/2020
3373.40	3383.40	4	890/35"	1695/67"	415/16" <sup>1</sup> / <sub>3</sub>	1010/2230
3373.50	3383.50	5	1135/45"	1695/67"	415/16" <sup>1</sup> / <sub>3</sub>	1100/2430
3373.60	3383.60	6	1380/54"	1695/67"	415/16" <sup>1</sup> / <sub>3</sub>	1180/2600
3374.40	3384.40	4	1010/40"	1800/71"	445/17" <sup>1</sup> / <sub>2</sub>	1330/2930
3374.40 XL	3384.40 XL	4	1010/40"	2800/110"	445/17" <sup>1</sup> / <sub>2</sub>	1735/3820
3374.50	3384.50	5	1265/50"	1800/71"	445/17" <sup>1</sup> / <sub>2</sub>	1440/3170
3374.50 XL	3384.50 XL	5	1265/50"	2800/110"	445/17" <sup>1</sup> / <sub>2</sub>	1850/4080
3374.60	3384.60	6	1520/60"	1800/71"	445/17" <sup>1</sup> / <sub>2</sub>	1545/3410
3374.60 XL	3384.60 XL	6	1520/60"	2800/110"	445/17" <sup>1</sup> / <sub>2</sub>	1965/4330
3374.80	3384.80	8	2030/80"	1800/71"	445/17" <sup>1</sup> / <sub>2</sub>	1945/4290
3375.50	3385.50	5	1535/60"	2080/82"	520/20" <sup>1</sup> / <sub>2</sub>	2315/5100
3375.50 XL	3385.50 XL	5	1535/60"	2880/114"	520/20" <sup>1</sup> / <sub>2</sub>	2710/5980
3375.60	3385.60	6	1845/73"	2080/82"	520/20" <sup>1</sup> / <sub>2</sub>	2380/5250
3375.60 XL	3385.60 XL	6	1845/73"	2880/114"	520/20" <sup>1</sup> / <sub>2</sub>	2780/6130
3375.70	3385.70	7	2155/85"	2080/82"	520/20" <sup>1</sup> / <sub>2</sub>	2450/5400
3375.70 XL	3385.70 XL	7	2155/85"	2880/114"	520/20" <sup>1</sup> / <sub>2</sub>	2850/6280

Opacmare® has designed over 100 crane models for tender handling for flybridge installation, stern platform installation or garage housing; all of them can be adapted to any boat model. Cranes are made of AISI 316 L painted stainless steel, with telescopic elements made of mirror polished stainless steel; some models can be supplied with fibreglass fairing. Arm extensions reach 7 metres and more, rotation is 359° and lifting capacities range between 200 and 3.500 kg. Over 20 crane models have been designed for rescue boats and are produced in compliance with S.O.L.A.S. requirements.

**model 3023**

Compact telescopic flybridge slewing crane composed of three sections, one can be oriented and the other two are telescopic, with a fibreglass fairing and a choice of four different bases. Two lengths over 5 metres, each with a lifting capacity of 500 kg, are available.



**model 3030**

Flybridge crane ideal for installation on medium to small size boats. Four versions of this davit are available (from 2,9 to 4,5 metres) that, though occupying very little space, can lift from 250 to 600 kg. Each crane is available with a fibreglass fairing and a choice of four different bases, some of which can house power units inside them. Standard 359° rotation.



**model 3024**

Compact telescopic flybridge rotating crane in AISI 316 L stainless steel with rounded fibreglass fairing. Three versions of this crane are available (from 4 to 6 mt). Though they take up a very little space, they can lift 500/700 kg. Ideal for installation on medium and small size boats.



**model 3031**

Telescopic slewing flybridge crane made of AISI 316 L stainless Steel. Its rounded and compact shape is ideal for installation on medium and small size boats. Five versions of this crane are available from 2,9 to 5,2 m. Although they take up a very little space, they can lift 350 to 500 kg.



**model 3091-3092**

Flybridge telescopic cranes composed of two elements with lengths ranging from 1,9 metres only to 2,6 metres and with arm extension up to 3,7 metres. Loading capacities of 300 and 500 kg.



Suitable for rescue boats and produced in compliance with S.O.L.A.S. requirements.

**models 3080-3085-3087-3089**

Series of flybridge telescopic cranes in eight different models, composed of two elements with total arm extension up to 7 metres and maximum working angle of 60°.

They are made of AISI 316 L stainless steel painted in white and, upon request, they can be supplied with fibreglass fairing.

Standard 359° rotation.

Loading capacities ranging from 1.000 kg to 2.500 kg.



**models 3082-3086-3088**

These cranes are similar to model 3080; they have the same technical features but with fixed arm. Lengths range from 3,9 to 5,2 metres; maximum working angle is 60° with loading capacities ranging from 1.000 to 3.500 kg.



MODEL	A (mm/inch)	B (mm/inch)	C (mm/inch)	D (mm/inch)	E (mm/inch)	F* (mm/inch)	G* (mm/inch)	L* (mm/inch)	M (mm/inch)	N (mm/inch)	α	Cable length (mm/inch)	Loading capacity standard (Kg/lbs)	Loading capacity optional (Kg/lbs)	Weight (Kg/lbs)
3023/45	2400/94"	2720/107"	4200/165"	1830/72"	1250/49"	1900/75"	3240/128"	1950/76"				5400/213"	500/1100		607/1340
3023/51	2800/110"	3130/123"	4850/191"	2050/81"	1350/53"	2250/89"	3700/146"	2200/86"				6200/244"	500/1100		680/1500
3030/29	1750/69"	1980/78"	2600/102"	850/33"	600/24"	1560/61"	2116/85"	1425/56"			45°	4400/173" 3500/138"	300/600 -	450/1000 600/1320	338/740
3030/33	1860/73"	2130/84"	2890/114"	1030/41"	660/26"	1810/71"	2605/102"	1530/60"			45°	5700/224" 4600/181"	300/600 -	450/1000 600/1320	378/770
3030/42	2430/96"	2730/107"	3930/155"	1500/59"	950/37"	2100/83"	3260/128"	1840/73"			50°	7700/303" 6200/244"	300/600 -	450/1000 600/1320	440/970
3030/45	2630/104"	2930/115"	4230/167"	1600/63"	1015/40"	2250/89"	3490/137"	1965/78"			50°	7700/303" 6200/244"	300/600 -	500/1000 -	465/1020
3024/40	1825/72"	2150/85"	4000/158"	2860/113"	1390/55"	2470/97"	3950/156"					2400/95"	700/1550		640/1400
3024/45	1990/78"	2320/91"	4500/177"	2525/99"	1580/62"	2335/92"	4360/172"	990/39"				4000/158"	700/1550		720/1590
3024/60	2490/98"	3090/122"	6000/236"	3525/139"	2155/85"	2745/108"	5590/220"					4000/158"	500/1100		850/1880
3031/29	1815/72"	2050/81"	2715/107"	900/36"	640/25"	2090/82"	2730/107"					3500/138"	500/1100		312/690
3031/33	2010/79"	2250/89"	3110/122"	1100/43"	780/31"	2230/88"	3010/118"					4600/181"	500/1100		334/740
3031/37	2015/80"	2250/89"	3315/130"	1300/51"	920/36"	2370/93"	3290/130"					5400/213"	500/1100		355/780
3031/41	2690/106"	2950/116"	4020/158"	1400/55"	990/39"	2560/101"	3550/140"	1885/74"				6200/244"	500/1100		378/830
3031/52	3045/120"	3280/129"	5095/201"	2050/81"	1450/57"	2800/110"	4250/167"	2230/88"				6200/244"	350/770		440/970
3091/26	1650/65"	1900/75"	2600/102"	950/37"	475/19"	1650/65"	2480/98"		470/18"	128/5"	60°	3600/142"	300/660		505/1100
3091/29	1800/71"	2050/81"	2900/114"	1100/43"	550/22"	1800/71"	2750/108"		470/18"	128/5"	60°	4400/173"	300/660		580/1280
3091/33	2000/79"	2250/89"	3300/130"	1300/51"	650/26"	1960/77"	3100/122"		470/18"	128/5"	60°	5200/205"	300/660		635/1400
3091/37	2200/87"	2450/97"	3700/146"	1500/59"	750/30"	2130/84"	3430/135"		470/18"	128/5"	60°	6000/236"	300/660		665/1470
3092/26	1920/76"	2190/86"	2600/102"	680/27"	350/14"	1850/73"	2460/97"		470/18"	160/6"	60°	4550/180"	500/1100		590/1300
3092/29	2050/81"	2320/91"	2900/114"	850/33"	425/17"	1980/78"	2720/107"		470/18"	160/6"	60°	5350/210"	500/1100		660/1450
3092/33	2250/89"	2520/99"	3300/130"	1050/41"	525/21"	2250/89"	3070/121"		470/18"	160/6"	60°	6150/240"	500/1100		720/1600
3092/37	2450/96"	2720/107"	3700/146"	1250/49"	625/25"	2320/91"	3410/134"		470/18"	160/6"	60°	6150/240"	500/1100		800/1750
3092/43	2750/108"	3020/119"	4300/169"	1550/61"	775/30"	2580/102"	3930/154"		470/18"	160/6"	60°	7600/299"	500/1100		950/2100
3080/45	2990/118"	3380/133"	4170/164"	1220/48"	610/24"	3170/125"	4230/167"	1390/55"				7200/283"	1000/2200	1200/2650	815/1800
3080/50	3500/138"	3900/154"	5000/197"	1500/59"	770/30"	3710/146"	5150/203"	1730/68"				8000/315"	1000/2200	1200/2650	893/1900
3080/60	3730/147"	4100/161"	5930/233"	2200/86"	1100/43"	3530/139"	5440/214"	1860/73"				8000/315"	1000/2200	-	947/2090
3080/65	4150/163"	4560/180"	6450/254"	2300/91"	1165/46"	4275/168"	6345/250"	2030/80"				8000/315"	1000/2200	-	983/2200
3082/35	3515/138"	3855/151"				3675/144"		2000/79"				8000/315"	1000/2200	1500/3300	610/1350
3085/50	3500/138"	3940/155"	5000/197"	1500/59"	750/30"	3655/144"	4960/195"	1800/71"				8000/315"	1500/3300	1700/3700	1150/2530
3085/60	4140/163"	4540/179"	5940/234"	1800/71"	900/35"	4400/173"	5960/235"	2110/83"				8000/315"	1500/3300	1700/3700	1198/2530
3085/65	4140/63"	4540/179"	6440/254"	2300/91"	1150/45"	4400/173"	6400/252"	2110/83"				8000/315"	1500/3300	-	1227/2700
3086/45	4465/176"	4910/193"				4700/185"		2280/90"				7200/284"	2200/4850		1210/2670
3086/50	4960/195"	5410/213"				5100/201"		2530/99"				7200/283"	2200/4850		1330/2930
3087/60	4600/181"	5100/200"	6350/250	1750/69"	875/34"	4350/171"	5850/230"	2440/96"				7200/283"	2000/4400	2500/5500	2150/4740
3087/65	4860/191"	5350/211"	6860/270"	2000/79"	1000/39"	4595/181"	6330/249"	2565/101"				8000/315"	2000/4400	2500/5500	2320/5100
3088/45	4500/177"	5230/206"				3890/153"		2280/90"				7200/284"	3500/7700		2370/5200
3089/70	4980/196"	5505/217"	6980/275"	2000/79"	1000/39"	4870/192"	6600/260"	2590/102"				8400/330"	3500/7700		3460/7600



**model 3048**

This crane, which is available in two different versions, is the evolution of previous model 3075. It is suitable for flybridge, stern or prow installation; it can also be housed in a box with upwards opening thanks to its reduced dimensions in rest position, as the arm is composed of two elbow-closing sections. Standard 359° rotation; standard loading capacities are 400 kg and 500 kg.



**models 3075-3075.37.B0**

Compact crane ideal for small to medium size boats. Arm is composed of two sections elbow-folding over each other and one telescopic section to clear side hurdles even over one metre. Standard lifting capacity for the three davit versions is 300 kg which can be increased to 500 kg (optional); they differ by arm extension and first element opening angle (69° or 80° for model 3075.01).

Standard 359° rotation.

Model 3075.37.B0 is an elbow crane with GRP covers.

Suitable for rescue boats and produced in compliance with S.O.L.A.S. requirements. Costs for certification are not included in the crane price and have to be considered as an optional.



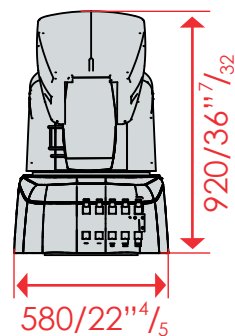
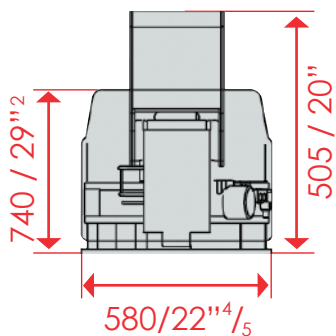
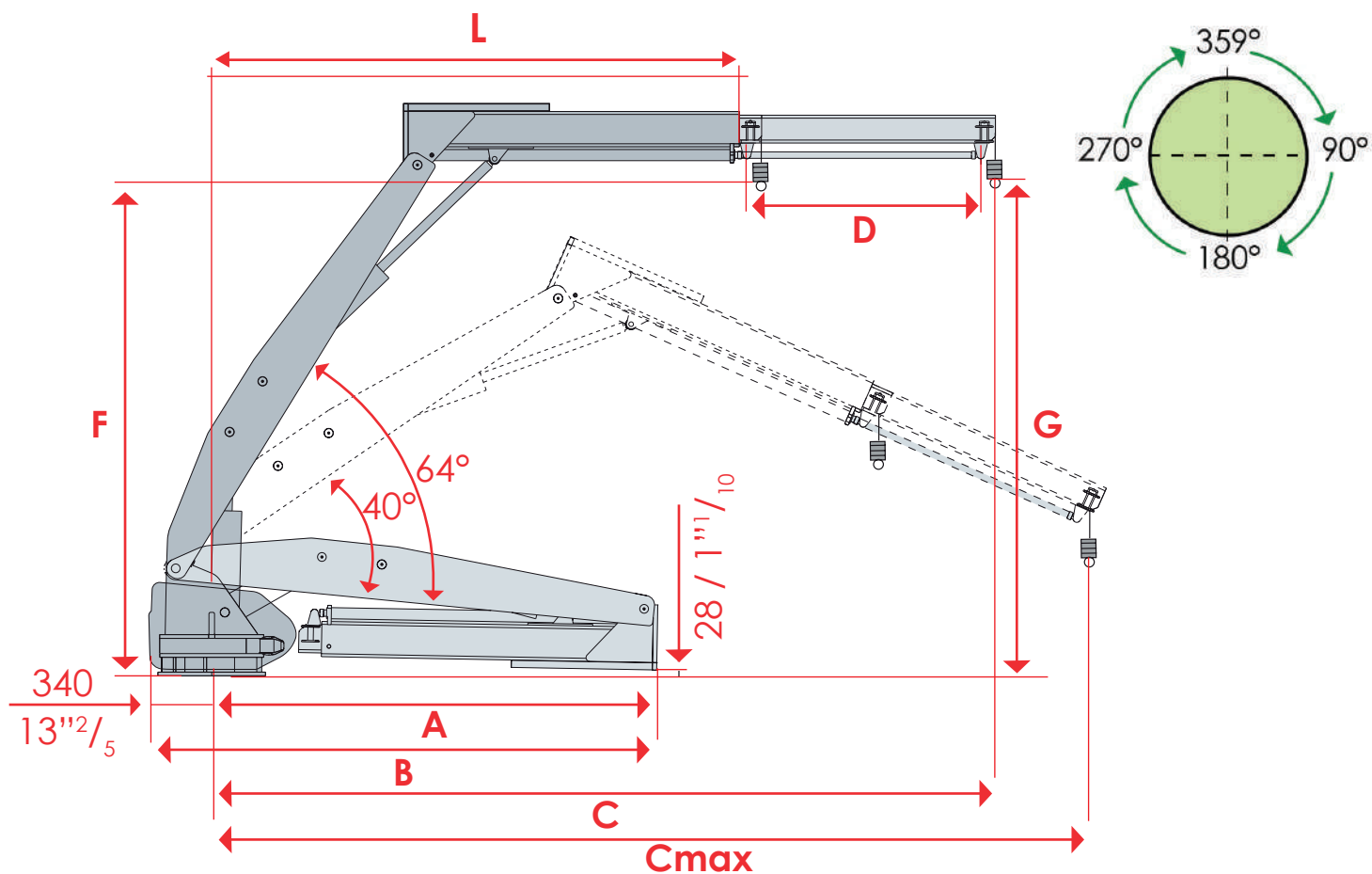
**models 3071-3076-3077-3078**

These cranes are ideal for medium to large size yachts and have the same technical features of model 3075. Being very compact, due to the elbow-closing system, they are suitable both for housing in box with upwards opening and for flybridge or prow installation.

Loading capacities range from 500 kg to 1200 kg (for model 3078 only).

Standard 359° rotation.





MODEL	A (mm/inch)	B (mm/inch)	C (mm/inch)	Cmax (mm/inch)	D (mm/inch)	F (mm/inch)	G (mm/inch)	H (mm/inch)	L (mm/inch)	α	Cable length (mm/inch)	Loading capacity standard (Kg/lbs)	Weight (Kg/lbs)
3048/26	1930/76"	2250/89"	2260/89"	2865/113"		2230/88"			-		4500/177"	400/880	404/890
3048/31	2330/92"	2650/104"	2800/110"	3510/138"		2575/101"			-		7500/295"	500/1100	431/950
3075/30	1700/67"	2020/79"	2830/111"	3030/119"	920/36"	2030/80"	2060/81"		1900/75"	69°	4400/173" 3500/138"	300/700 500/1100	388/850
3075/37	1960/77"	2280/90"	3400/134"	3880/153"	1110/44"	2235/88"	2235/88"		2290/90"	69°	5700/224" 4500/177"	300/700 500/1100	434/950
3075/37.01	1960/77"	2280/90"	3350/132"	3830/151"	1060/42"	2235/88"	2820/111"		1850/73"	80°	5700/224" 4500/177"	300/700 500/1100	434/950
3075/37.B0	1960/77"	2280/90"	3350/132"	3830/151"	1060/42"	3000/118"	3100/123"		1850/73"	80°	5700/224" 4500/177"	300/700 500/1100	500/1100
3076/34	2015/79"	2330/91"	3550/140"	4070/160"	1110/44"	2245/88"	2245/88"		2440/96"		5700/224"	500/1100 800/1800	760/1670
3077/42	2400/95"	2740/108"	4225/166"	4710/185"	1260/50"	2800/110"	2800/110"		2970/117"		5400/213" 6800/268"	1000/2200 800/1800	950/2100
3078/45	2765/109"	3110/123"	4540/179"	5170/203"	1100/43"	3030/119"	3030/119"		3440/135"		7800/307"	1200/2650	1294/2850
3078/50	2925/115"	3225/127"	4560/180"	5340/210"	1100/43"	3230/127"	3230/127"		3460/136"		7800/307"	1500/3300	1780/3920
3071/70	3270/129"	3610/142"	5370/212"	7020/276"	2200/87"	3810/150"	850/33"	5235/206"	3000/118"		7800/307"	1200/2650	2080/4580



**model 3051**

Telescopic slewing crane with painted structure, ideal for box or garage installation on medium to large size boats.

Standard feature is 90° clockwise rotation which can be increased to 359° by means of an actuator.

Four different lengths are available (from 3 to 4,50 metres) and standard lifting capacity is 300 kg which can be increased to 500 kg.

**model 3070 my DOG transom crane**

“MY DOG” crane was designed to satisfy increasing customers' request for a light and compact component, easily installed on stern platform. It is made of AISI 316 L painted stainless steel with fibreglass fairing and is composed of four sections: two sections can be oriented (first element elbow-folds over the second) and the other two are telescopic. Two versions are available with standard 359° rotation and supplied with a a winch to lift 300 kg which can be increased to 400 or 500 kg, upon request.

MODEL	A (mm/inch)	B (mm/inch)	C (mm/inch)	Cmax (mm/inch)	D (mm/inch)	E (mm/inch)	F (mm/inch)	G (mm/inch)	L (mm/inch)	Cable lenght (mm/inch)	Loading capacity standard (Kg/lbs)	Loading capacity optional (Kg/lbs)	Weight (Kg/lbs)
3051/31	1930/76"	2140/84"	3090/122"		1160/46"	950/37"	940/37"	1600/63"	1830/72"	5700/224" 4600/181"	300/700 -	- 500/1100	291/640
3051/35.0 3051/35.1	2130/84"	2355/93"	3410/134"		1280/50"	1030/40"	1000/39"	1760/69"	1910/75"	6700/264" 5400/213**	300/700 -	500/1100 500/1100	314/690 302/670
3051/45	2650/104"	2850/112"	4350/171"		1700/67"	1240/49"	1650/65"	2800/110"	1910/75"	5400/213"	500/1100	-	353/780
3070/21	895/35"	1235/49"	1795/71"	2080/82"	905/36"	905/36"	1395/55"		900/35"		300/700	500/1100	307/680
3070/26	1200/47"	1540/61"	2350/92"	2600/103"	1060/42"	1060/42"	1660/65"		1285/50"		300/700	400/900	319/705

**CEILING CRANES**

**model 3121**

Rotating ceiling crane with translating hoist and fixed arm over 4 metres; standard 359° rotation; loading capacity is 700 kg. It is made of AISI 316 L stainless steel painted in white and is supplied with hydraulic and electronic units.



**model 3132**

Compact telescopic davit for garage housing. It is composed of three sections, one is fixed and the other one can be extracted; by means of a translating trolley, hook extension reaches 8,5 m with loading capacity of 1.500 kg. Structure is made of 316 L stainless steel painted.

**model 3130**

Compact telescopic ceiling crane for garage housing. It is composed of two sections, one is fixed and the other one can be extracted; by means of a translating trolley, hook extension reaches 5,8 m with loading capacity of 500 kg. Structure is made of 316 L stainless steel painted in standard white colour or in another colour to be defined with customer.



MODEL	Cable lenght (mm/inch)	Loading capacity standard (Kg/lbs)	Weight kg/lbs
3121/50		700/1550	860/1900
3132/80		1500/3300	1280/2800
3130/76	1800/70"	500/1100	1220/2700



Opacmare® can meet the requirements of yacht and super yacht manufacturers thanks to nearly 500 door models; flat and curved, one to eight wings, manual and automatic, weather tight and customized to follow the boat outline. Door frame is made of either AISI 316 L stainless steel or aluminium and fitted with stratified glass panels even more than 25 mm thick.

**models 2065.02/2065.10.11/2064/2062.05.07  
2062.06.08**

Three open wings - FOLDING SYSTEM.  
The doors are subject to quality control tests to comply with ISO 12216.2004 standards.

IMPORTANT: The aperture has to be increased of at least 10mm / 2/5" inch more than the door frame.

Height H + 10mm / 2/5"

Width L + 10mm / 2/5"

NOTE: Sx→Dx | Sx←Dx.

The sliding doors opening direction is always considered from the outside of the boat.



**model 2070/2067.01/2064.10/2067.02  
2175.00/2175**

Two fixed and two central sliding wings with opposite opening.

The doors are subject to quality control tests to comply with ISO 12216.2004 standards.

IMPORTANT: The opening has to be increased of the least 10mm / 2/5" inch more than the door opening

Height H + 10mm / 2/5"

Width L + 10mm / 2/5"

NOTE: Sx→Dx Sx←Dx The sliding doors opening direction is always considered from the outside of the boat.



**models 2P61/2060.03/2061.02/2T61.01**

Two fixed and four sliding wings.

The doors are subject to quality control tests to comply with ISO 12216.2004 standards.

IMPORTANT: The aperture has to be increased of at least 10mm / 2/5" inch more than the door frame.

Height H + 10mm / 2/5"

Width L + 10mm / 2/5"

NOTE: Sx→Dx Sx←Dx The sliding doors opening direction is determined from the outside of the boat.





**model 2143**

Automatic patio door composed of two wings one of which is sliding and supplied with water tight closing patented system. It is made of AISI 316 L stainless steel. This door is supplied with opening/closing control system with inside/outside pushbutton panel, emergency battery, door manual unlock system in case of lack of power supply, photocells assembled on inside frame. Upon request, it can be supplied with pushbutton panel with combination lock, radar control system for door opening and contact for open door signaling, opening button assembled on a sliding wing.



**AUTOMATIC WEATHER TIGHT DOORS**

**model 2142 water tight door**

Automatic flat door with patented watertight closing system, for patio installation, with two central sliding wings. It is made of AISI 316 stainless steel and painted with standard white paint or with different customized paints and colours, upon request. Internal door profiles are prearranged for the fixing of a 12 mm thick covering and for possible fixing of an upper crossbeam with customized dimensions. This range of doors is composed of seven models, with different dimensions and Grey Europe glass panels thick from 19,5 to 25,5 mm. Supply includes opening/closing system with internal and external pushbutton panel, emergency battery, manual unlocking system for door opening in case of lack of power from battery and photocells fixed on the inside frame.

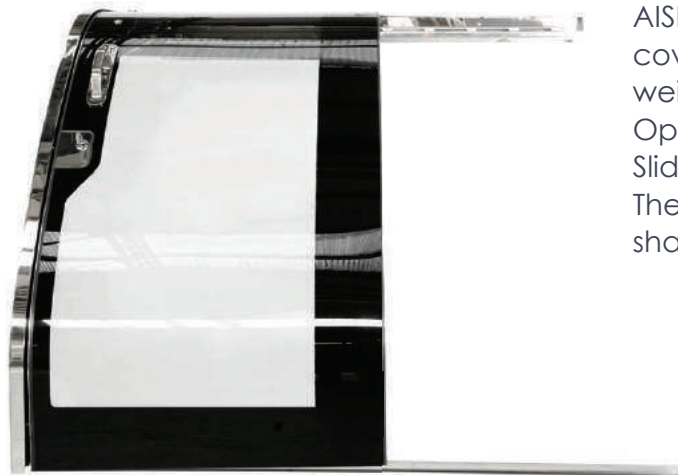


**AUTOMATIC WEATHER TIGHT DOORS**

**model 2392.03 weather tight door with pantograph system**

This door can be certified in compliance with RINA/BUREAU VERITAS/LLOYDS requirements, upon request. ATTENTION! In case of certification request, dimensions and technical specifications may undergo significant variations. Please get in touch with our technical department to verify possible certifications. The doors are subject to quality control tests to comply ISO 12216.2004 standards.



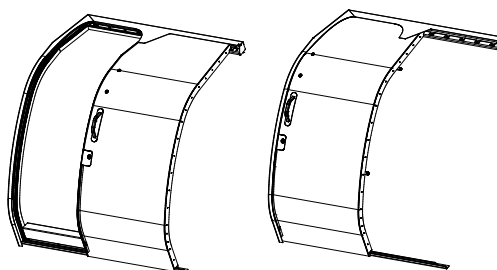
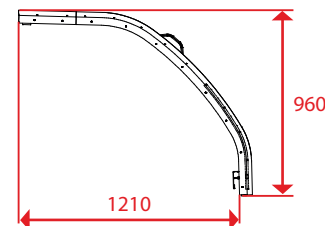
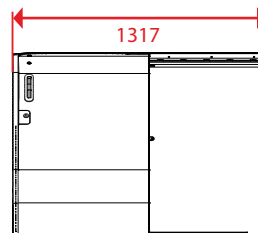


AISI 316L stainless steel sliding wing, mirror polished and fully covered by a plexiglass panel which allows an important weight reduction.

Optional lock with outer key and inner knob.

Sliding wing block in open position.

The section between the horizontal and vertical planes is shaped like the covering superstructure.



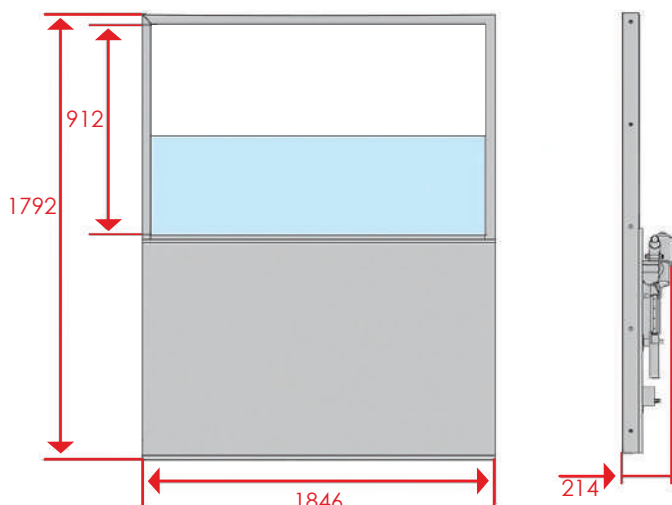
**AUTOMATIC WINDOWS (1.1)**

Over 70 window models can be found in Opacmare® catalogue to make life onboard easier, to offer wide sight and to fully enjoy light and sunshine.

They are either manual or automatic, flat or curved to follow the boat design and wide, even over 3 metres. Water tight models with patented system are available too. Their structure is made of AISI 316 L stainless steel, glass panels are 6 to 15 mm thick.

**model 2718**

Automatic window with vertical handling system and glass panel sliding downwards by means of an electrical actuator. Bearing structure is made of AISI 316 L stainless steel painted in black, glass thickness ranges from 8 to 10,4 mm.



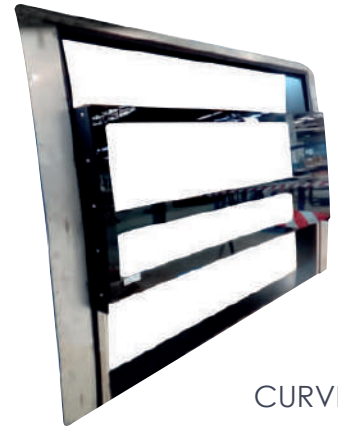


# AUTOMATIC WINDOW (1.2)

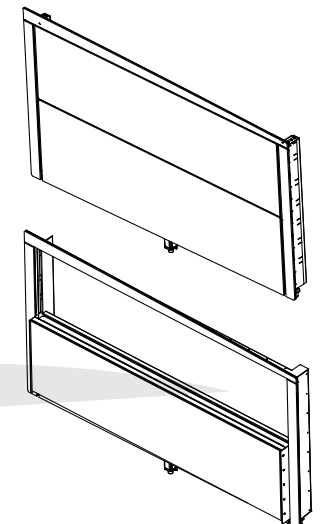
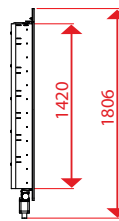
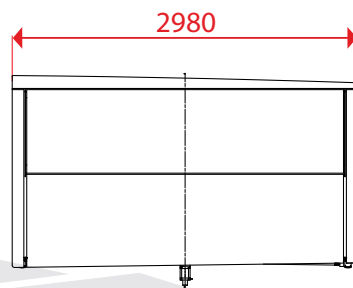
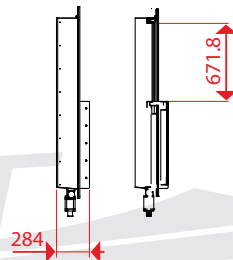
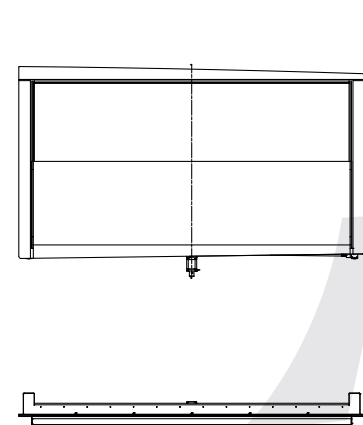
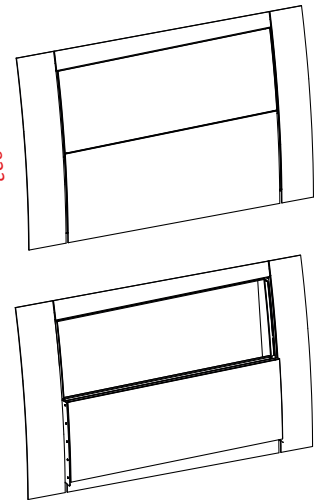
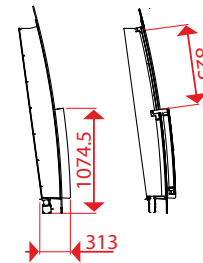
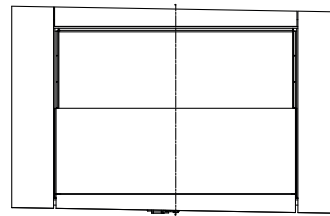
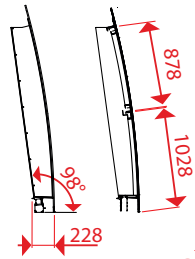
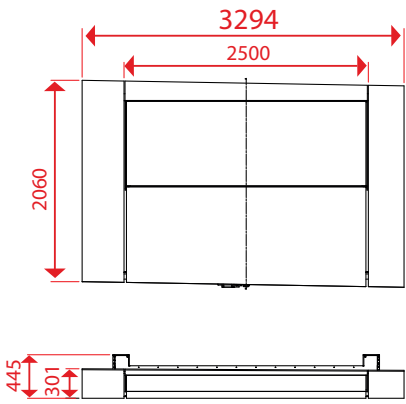
Flat and curved automatic window. Opened by an electric motor and double movement system (horizontal sliding and descent). Electric motor placed in the lower crossbeam with shafts for movement transmission to movement mechanisms placed in the side jambs. Perimetral sealing for weather tightness. Fitted with a mobile glass panel moved by emergency manual movement system. The window can reach 3m width.



FLAT



CURVED



Opacmare® designs and manufactures pilot seats for inside and outside installation. Pilot seats meet the requirements of the various boat models on the market, anticipating needs and expectations for comfort and ergonomics of final customers and letting boat piloting become pure fun and relaxation. Seat structure is made of painted steel, both in case of manual or automatic handling systems (only for inside installation); seat is upholstered with real or imitation leather, with many optional customizations available.

**models 6473 - 6474 - 6475 - 6476 - 6477**

Fixed or sliding pilot seat both for inside and outside installation, supplied with low backrest and armrests. Upholstery can be customized; this model can be coupled to create a sofa combination, with two seats or more. A sliding rail system is also available for pedestal mounting.

**model 6481**

AVAILABLE IN AUTOMATIC OR MANUAL VERSION. The standard folding seat enables the stand-up driving as well and offers more freedom of movement on the bridge. For possible matches between bases and footrests, refer to the following page. NOTE: All seats upholstery can be customised, with top grain leather for interior seating or synthetic leather for exterior positioning, in various colours, provided by customer. On-board instrument controls (factory supplied and installed joystick) can be fully integrated in the armrests, provided by customer.

**model 6485**

AVAILABLE IN AUTOMATIC OR MANUAL VERSION. For possible matches between bases and footrests, refer to the following page. NOTE: All seats upholstery can be customised, with top grain leather for interior seating or synthetic leather for exterior positioning, in various colours, provided by customer. On-board instrument controls (factory supplied and installed joystick) can be fully integrated in the armrests, provided by customer.

**model 6490**

AVAILABLE IN AUTOMATIC OR MANUAL VERSION. For possible matches between bases and footrests, refer to the following page. NOTE: All seats upholstery can be customised, with top grain leather for interior seating or synthetic leather for exterior positioning, in various colours, provided by customer. On-board instrument controls (factory supplied and installed joystick) can be fully integrated in the armrests, provided by customer.

**models 6493 - 6493R**

AVAILABLE IN AUTOMATIC OR MANUAL VERSION. For possible matches between bases and footrests, refer to the following page. NOTE: All seats upholstery can be customised, with top grain leather for interior seating or synthetic leather for exterior positioning, in various colours, provided by customer. On-board instrument controls (factory supplied and installed joystick) can be fully integrated in the armrests, provided by customer.



## PEDESTAL BASE (PILOT SEATS)

### model 6698

Automatic pedestal base with footrest (optional) adjustable in height and slant; tilting footrest allows for easier access and leaves clearance in passageway.

Fibreglass fairing has oval shape is upholstered with real or imitation leather, with many optional customizations available. Customized floor fixing plate available; 24V power supply.



### models 6691 - 6692

All seats can be mounted on bases with either a manual or automatic pedestal base, supplied with a teak footrest flipping 180° up for ease of access).

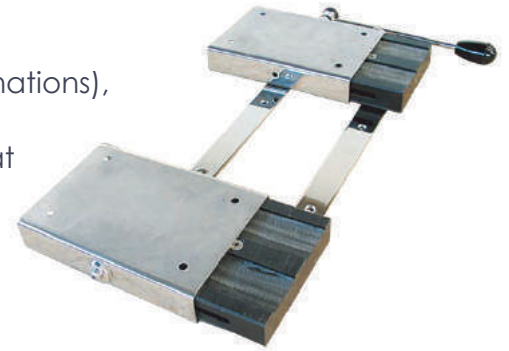
Manual pedestal bases are made of AISI 316 L stainless steel, feature full 360° rotation and include gas-lift height adjustment with manual locking.

## SLIDING SYSTEM (PILOT SEATS)

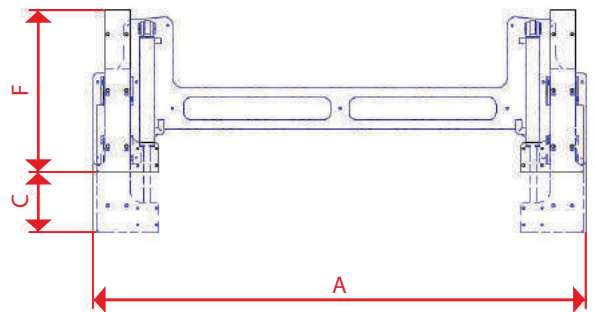
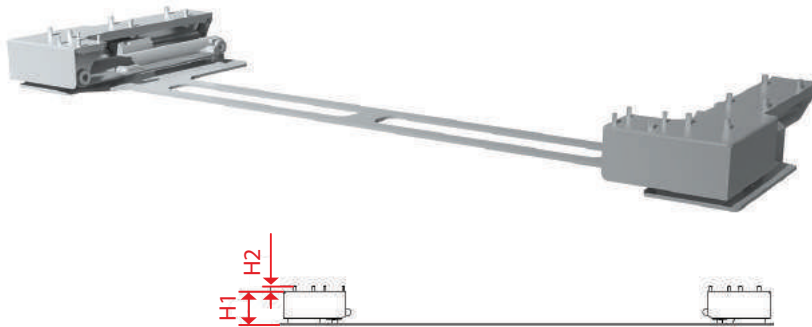
### models 6640 - 6642

Manual sliding system, single (for pilot seats) or double (for sofa combinations), made of AISI 316 L stainless steel (and Polizene) and suitable for all Opacmare® manual pedestal bases and seats. Forward/backward seat adjustment is obtained through a lever (+80 / -80mm).

This system can be fixed directly on boat structure.



### model 6652



## TABLE BASES



### models 6660-6665-6670-6675-6680- 6681-6682- 6685

Opacmare® offers a wide range of pedestal bases for tables, available with various shapes.

Structure is made of AISI 316 L polished stainless steel; they feature 360° rotation and can be adjusted in height both manually and by means of a gas cylinder with manual locking system.

Bases are also available with customized cylinder extension or in simplified version without height adjustment system.





**3600**

Opacmare® offers a wide range of manual and automatic swim ladders, housed in watertight boxes totally camouflaged in boat transom or bulwark. They are made of AISI 316 L mirror polished stainless steel and are available in different lengths and angles, with fixed teak steps or, for some of the 50 models of our catalogue, with steps at variable slant.

They are supplied with either manual or automatic stanchions and with handrail. Opacmare® also offers king stepladders for bulwark installation or retractable, supplied with blocking system during navigation and with possibility to add a landing with automatic lifting, a manual swim ladder, a service shower, teak grating with fibre optics and spotlights for ladder lighting.



Opacmare® keeps on investing on quality and design, to always offer technology and innovation to our clients – which is what they ask for. We have designed new accessories and components also for SUPER and MEGA YACHTS and we improved the accessories we have in our catalogue since longtime and have consolidated during the time. This is how a young and dynamic company expresses itself, reacting with intelligence and differentiation to the market requirements, to keep on being supplier to the best shipyards.



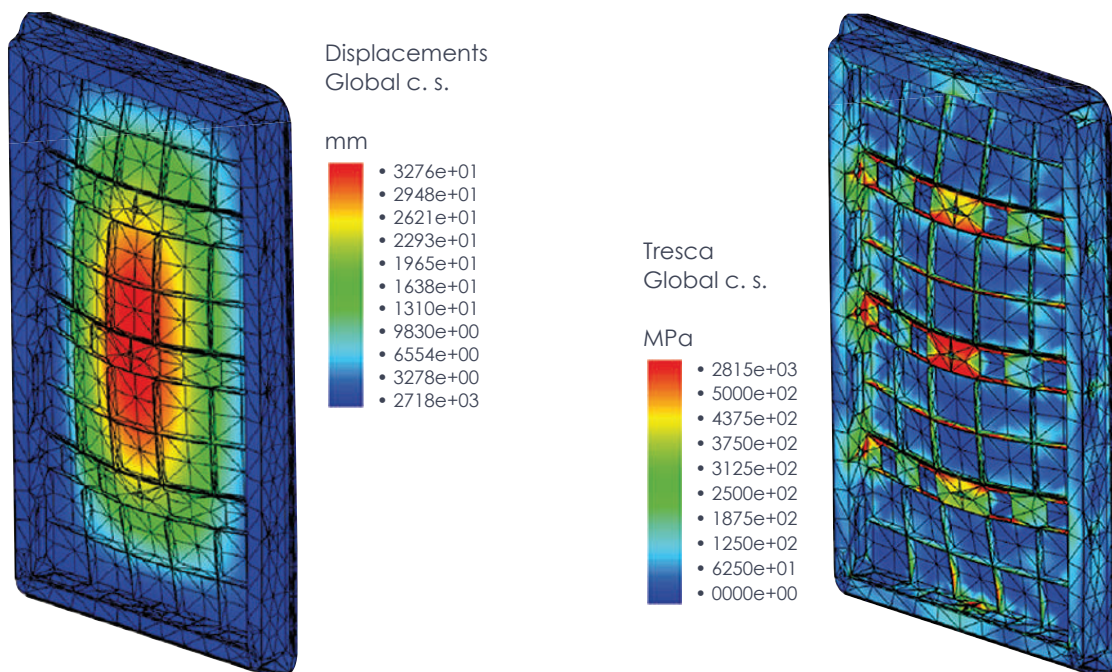


Innovations for Transformer® platforms: this versatile and clever accessory is now completed by the “Pop-out” system: a mobile platform which automatically rises together with the Transformer® platform, to level deck surface when Transformer® platform is fully open, avoiding obstacles and steps. Transformer® platform is now available in the T.T. stepfree version as well, so that it can be used as a lift for the storeroom and as a tenderlift, solving the problem of the stainless steel arms in contact with water. Furthermore, Transformer® platform is now super-light thanks to its carbon fibre structure and fairing. A wide range of rotating cranes for fly bridge and prow fixing, with loading capacities going up to 3.500 kg and arm extensions over 7 metres; they can be used for rescue boats also and, upon request, they can be S.O.L.A.S. certified (Safety Of Life At Sea). Real strength, loading and rotating capacities of fly bridge cranes can be tested on Opacmare testing platform where, in compliance with S.O.L.A.S. requirements, extreme sea conditions are simulated, with boat inclination from +20° to -20°.



ANALYSIS OF THE FINITE ELEMENTS

The method of the finite elements is a procedure of discretization that, by means of mathematical models and numeric calculation techniques, allows to study particularly complex problems. The procedure of discretization consists in schematizing the structure under examination through simple geometrical figures, connected among themselves by means of points called nodes. Nodes and elements are identified by a global reference system and marked by progressive numbers. The procedure of calculation consists in linear algebraic equations that relate, for each node, the agent forces with the displacement of the node itself and with all the other nodes of the element. In this way, considering known initial conditions of some nodes, like applied external forces or systems of constraints, it is possible to calculate the field of displacement, deformation and tension for each node.

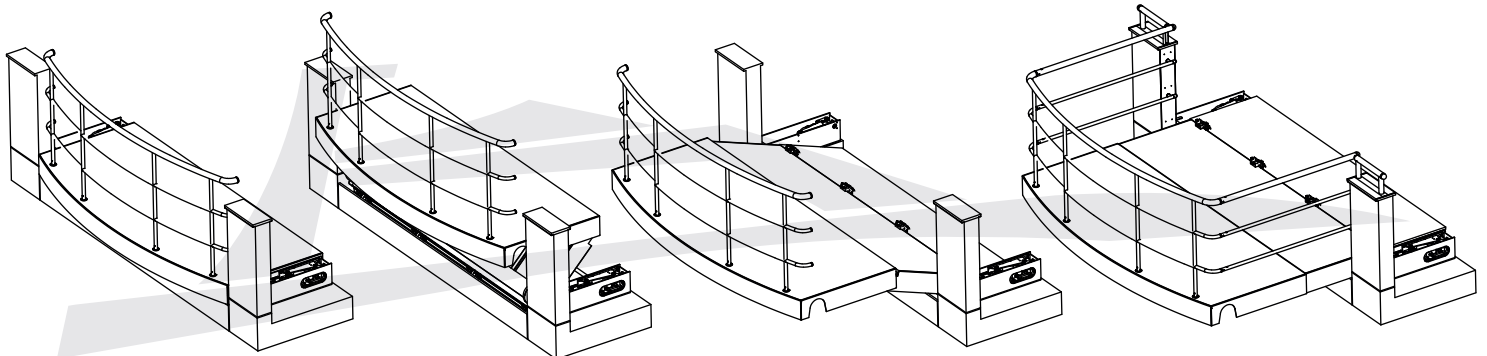
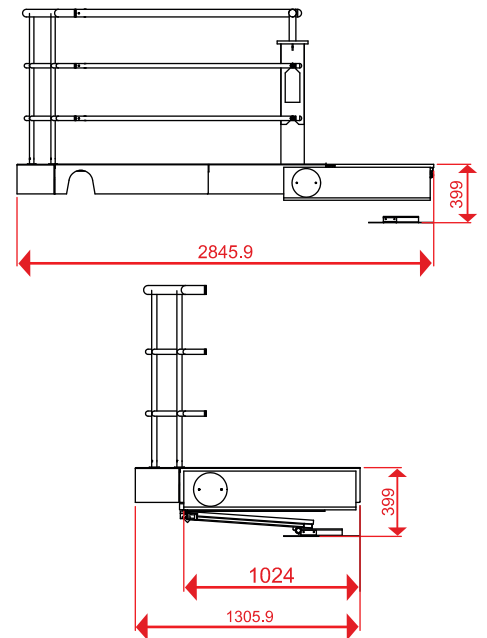


This is a mechanical system, totally built-in the boat bulwark, which allows in sequence: balcony tilting, stanchions coming out from their recess and their rising up to the boat rail level. Balcony is made of AISI 316 L stainless steel and can be supplied with manual stanchions or with fully automated handling system; a very original stainless steel and glass version is also available. Balcony dimensions can be customized upon request.



## BALCONY WITH MODEL 2066 DOOR (1.2)

Side balcony opening system moved by hydraulic actuators. Thanks to the slimmed hydraulic actuators, the balcony has a reduced impact on the boat structure. Its jointed movement and the dragging of the bottom surface allow the boat walkway to be flush with the balcony edges and, depending on the boat walkway dimensions, the terrace surface can be doubled or even tripled. Drilled holes on boxed sidebars make the installation easier and reduce the required room for the operation. Loading capacity: 1000 kg.





**Opacmare® srl**  
via Luigi Einaudi, 150 - 154  
10040 - Rivalta di Torino (TO)  
Italy

Tel. +39 011 90 45 411  
Fax +39 011 90 93 022

[www.opacmare.com](http://www.opacmare.com)



Edition 10/2019  
Rev. 01