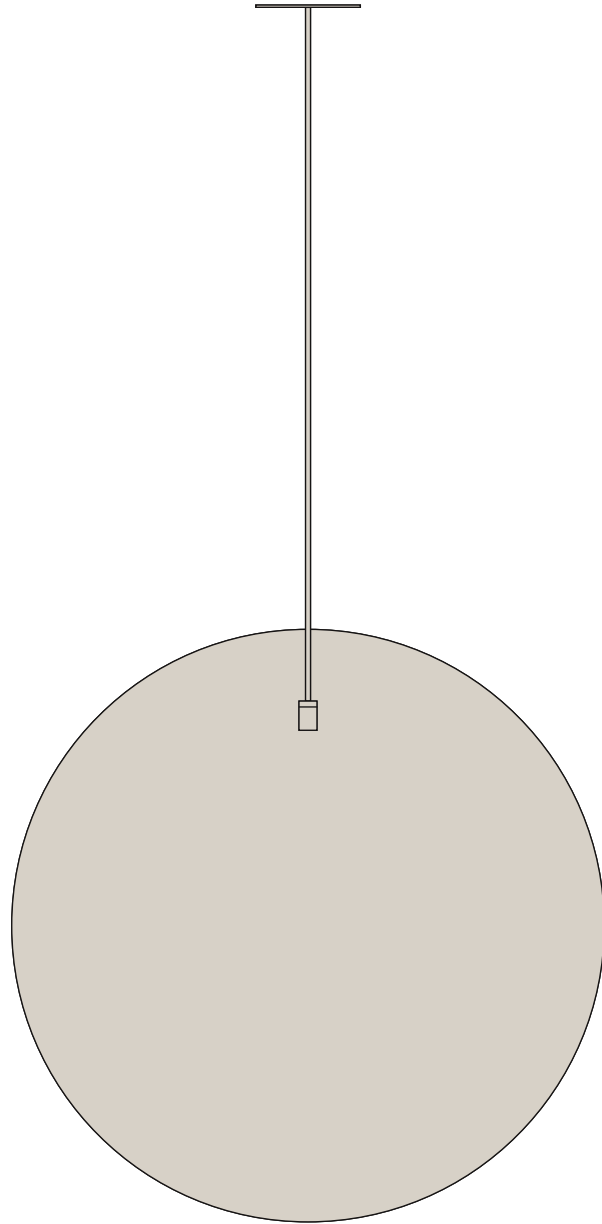


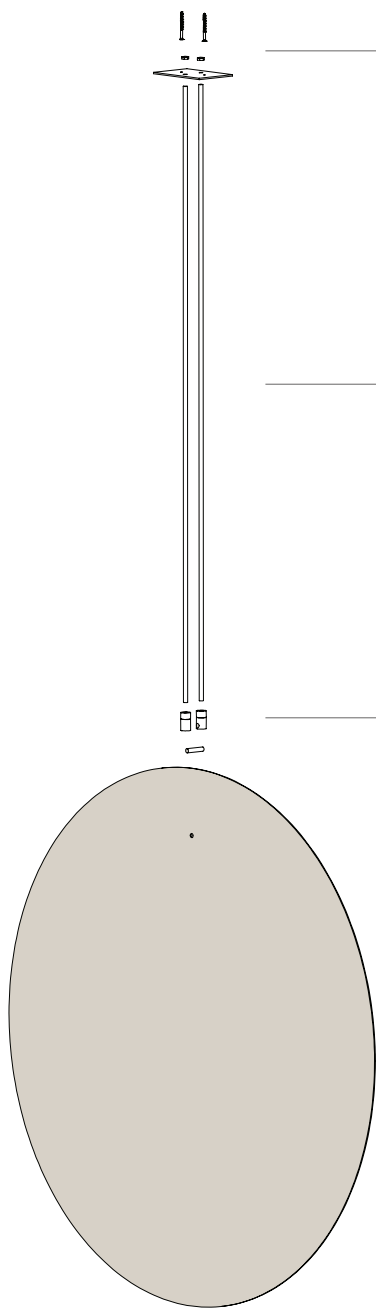
PASSAGE Mirror

coilandrft.com
studio@coilandrft.com
@coilandrft

COIL +
DRIFT



COMPONENTS:



A: Screws (2)
B: Washers (2)
C: Plate (1)

D: Rods (2)

E: Connectors (2)
F: Supporting Arm (1)

G: Mirror (1)

TOOLS REQUIRED:

+ Stud finder
+ Pencil
+ Allen key set

+ Power drill
+ Drill bits

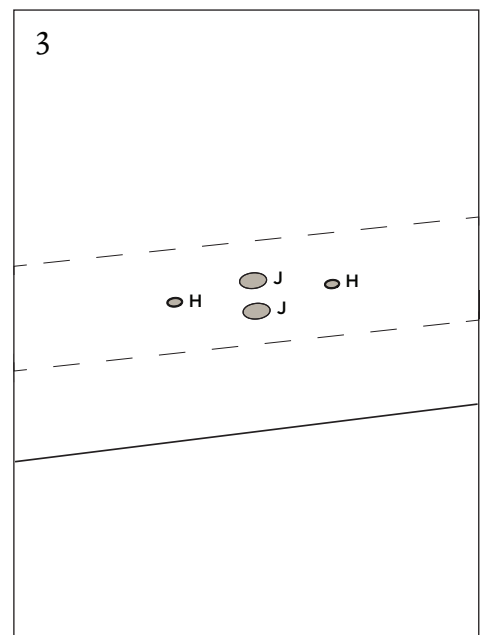
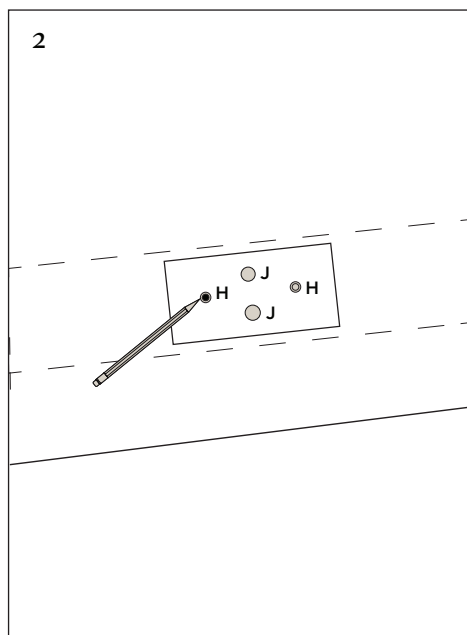
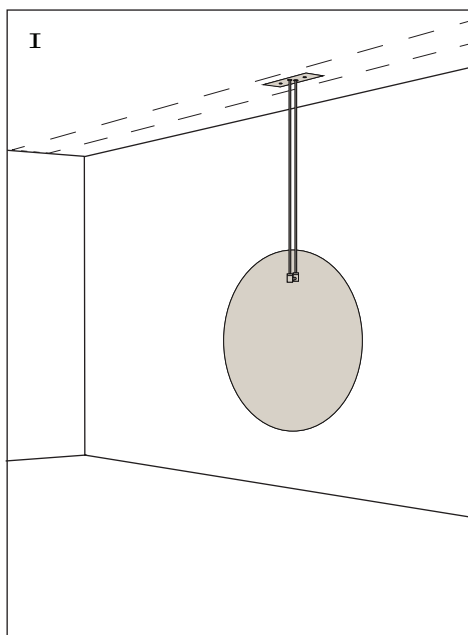
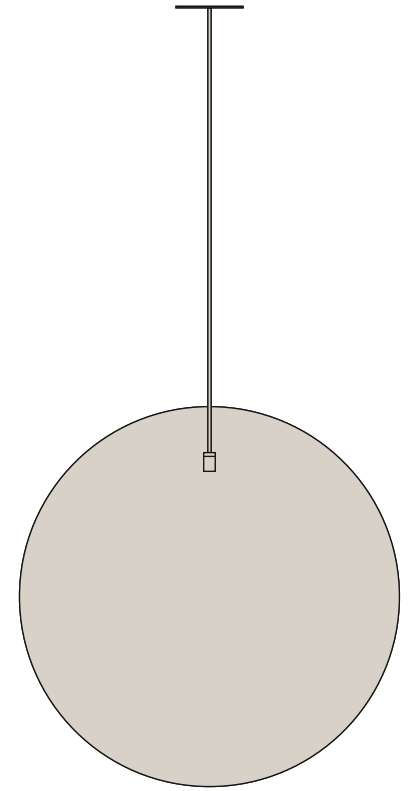
BEFORE YOU BEGIN:

- + Handle with care, mirror is fragile and can shatter if dropped.
- + This installation requires two or more people.
- + Always wear white cloth or latex gloves when handling the mirror and metal.

Having an issue? Call us at 917.664.4483

INSTALLING YOUR PASSAGE MIRROR:

1. Using a stud finder, locate a ceiling stud or joist that will support the weight (45 lbs) of the mirror. The Plate (C) must be mounted into a stud. Note that if the joist and/or stud does not align with the desired placement of the mirror, you will need to open the ceiling and install a plate as an anchor.
2. Place the ceiling Plate (C) in the desired location on the joist and, using a pencil, trace inside of the four plate holes (H + J).
3. Following your guide, first use a $\frac{3}{32}$ " bit and drill the 2 screw holes (H) through the ceiling drywall or plaster and into the stud or joist. These holes should be $2\frac{1}{2}$ " long. Next, use a $\frac{3}{4}$ " bit, drill 2 holes (J) into the ceiling drywall or plaster at least $\frac{3}{4}$ " high.



INSTALLING YOUR PASSAGE MIRROR:

4.
On the ground, locate the Rod (D) with the attached Supporting Arm (F) and Connector (E). Feed the supporting arm through the hole in the Mirror (G). Screw on the second Connector (E) to the supporting arm. Lastly, attach the second Rod (D) to the empty connector.
5.
Feed the open tops of both rods through the 2 holes (J) in the ceiling plate and secure the Washers (B) to the top of the rods.
6.
As one person, standing on the ground, lifts the mirror with assembled hardware into position, have a second person ascend a ladder and raise the rods with the connected plate to align so that the washers rest inside the drilled ceiling holes (J). Secure the 2 Screws (A) into the pre-drilled screw holes (H). Finally, position the mirror so that it hangs exactly in the middle of the supporting arm. Clean mirror with a glass cleaner.

Enjoy your new Passage Mirror!

