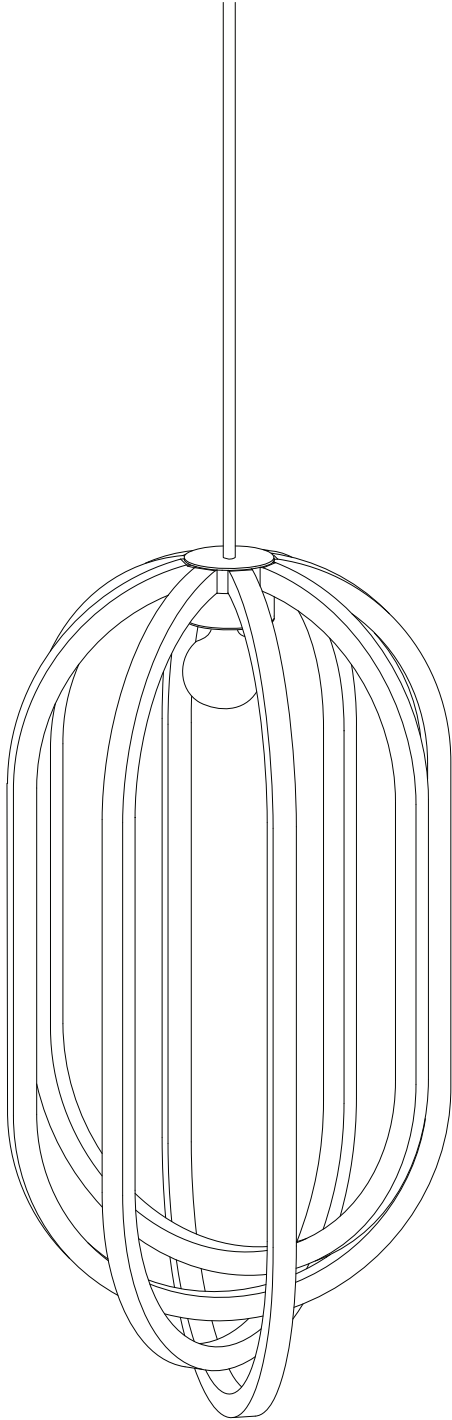


CIRRUS Chandelier

coilanddrift.com
studio@coilanddrift.com
@coilanddrift

COIL +
DRIFT

Installation Instructions



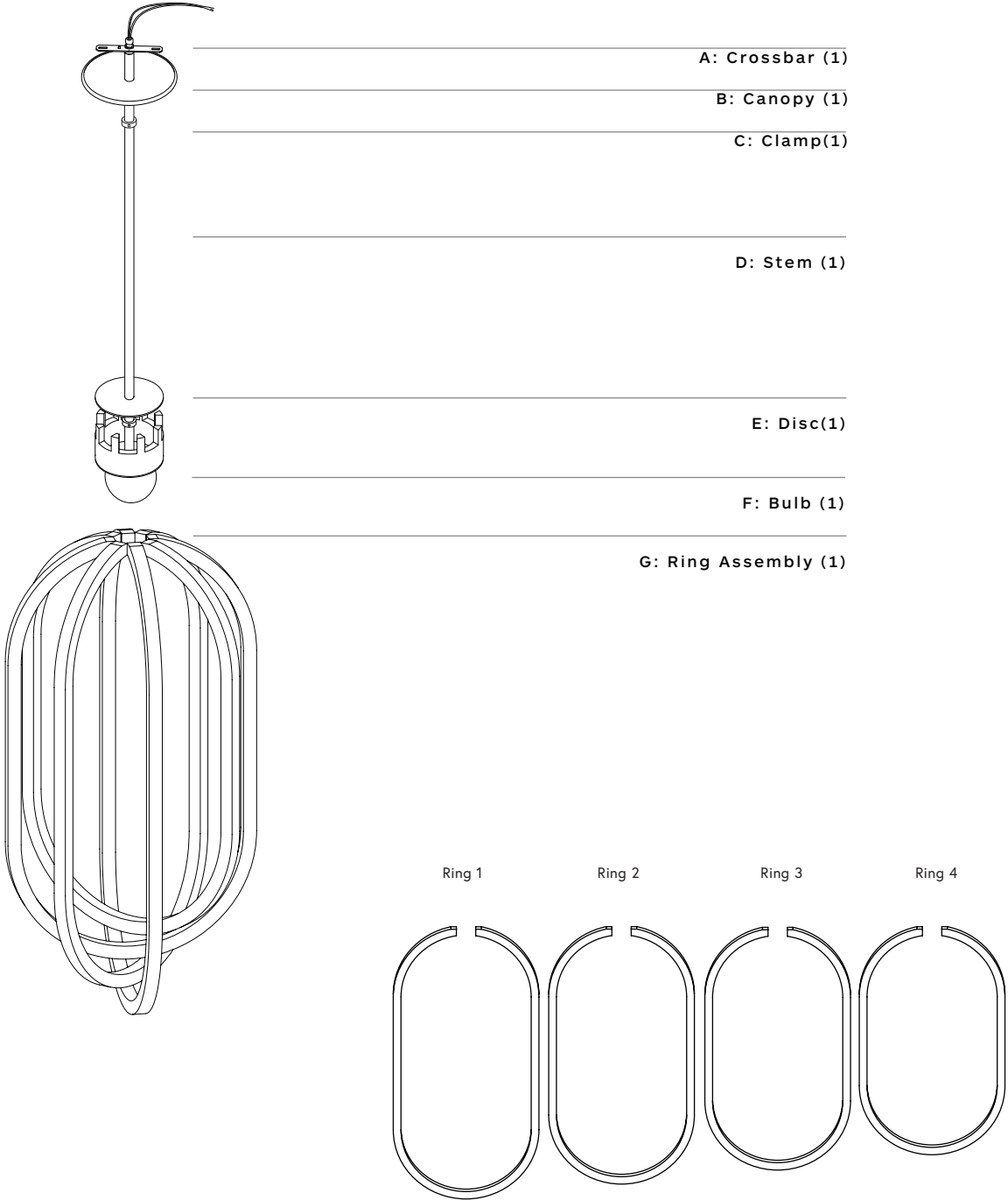
CIRRUS Chandelier

Installation Instructions

coilandrft.com
studio@coilandrft.com
@coilandrft

COIL +
DRIFT

COMPONENTS:



TOOLS REQUIRED:

- + Power drill
- + Drill bits
- + Allen key set
- + Painters tape

CIRRUS Chandelier

Installation Instructions

coilanddrift.com
studio@coilanddrift.com
@coilanddrift

COIL +
DRIFT

BEFORE YOU BEGIN:

- + Always wear white cloth or latex gloves when handling the metal and glass.
- + Two people recommended for installation.

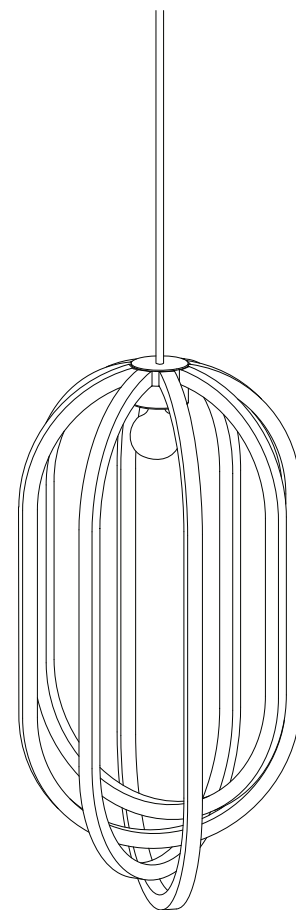
CAUTION: ELECTRIC SHOCK RISK:

- + Coil + Drift recommends this piece be installed by a qualified electrician only.
- + Disconnect power at junction box and turn off electrical power at breaker before beginning.

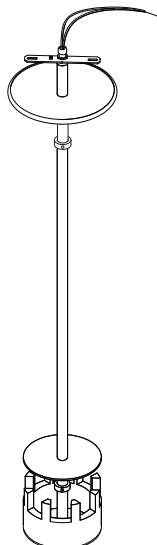
Having an issue? Call us at 917.664.4483

INSTALLING YOUR CIRRUS CHANDELIER:

1. Loosen clamp with Allen key and slide clamp and canopy down. Be careful not to scratch metal.
2. Mount Crossbar to Junction Box.
3. Wire individual leads to line power inside the junction box. Test electric connection to ensure fixture is properly wired.
4. Position chandelier stem to vertical with a level.
5. Slide clamp and canopy back up to cover Junction box. Tighten clamp with Allen key.



I-5



CIRRUS Chandelier

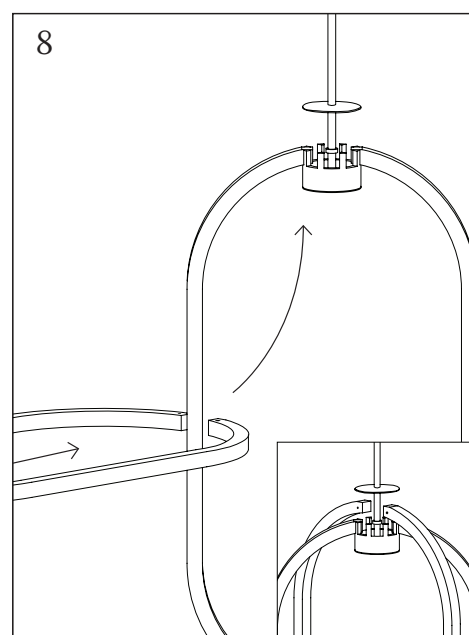
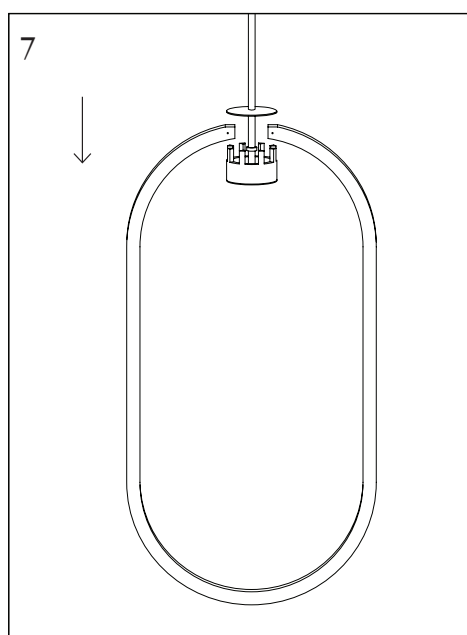
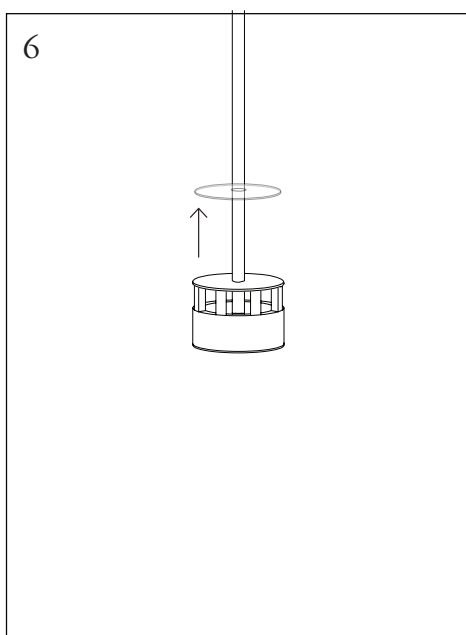
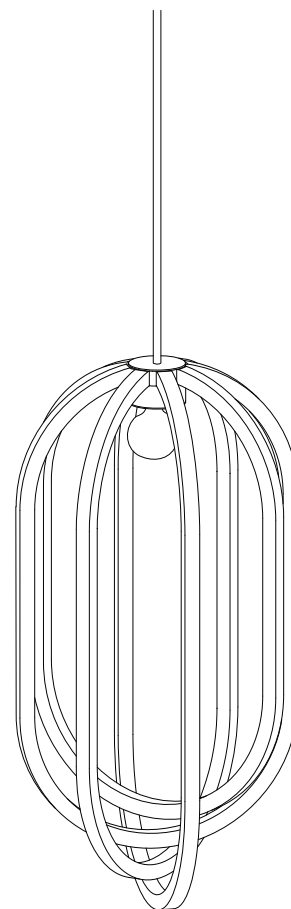
Installation Instructions

coilanddrift.com
studio@coilanddrift.com
@coilanddrift

COIL +
DRIFT

INSTALLING YOUR CIRRUS CHANDELIER:

6.
Slide up disc on lighting assembly and place blue tape under disc to hold in place.
7.
Starting with ring 1, (longest ring) place in any opposite pair of slots in the light housing. Thread the wire through the second hole and adjust so ring 1 ends are 2" apart. Secure in place by twisting the wire ends together.
8.
Insert ring 2 (second longest ring) through the left side of ring 1. Place ring 2 in the next available slots to the left of both ends of ring 1.



CIRRUS Chandelier

Installation Instructions

coilanddrift.com
studio@coilanddrift.com
@coilanddrift

COIL +
DRIFT

INSTALLING YOUR CIRRUS CHANDELIER:

9.
Insert ring 3 (third longest ring) through the side of ring 2. Place ring 3 in the next available slot to left of ring 2.
10.
Insert ring 4 (shortest ring) through side of ring 3. Place ring 4 in the next available slot to the left.
11.
Step back and make sure outside edges of rings are vertical. Slide disc back down onto lighting assembly.
12.
Locate the light bulb and screw it into the socket.

