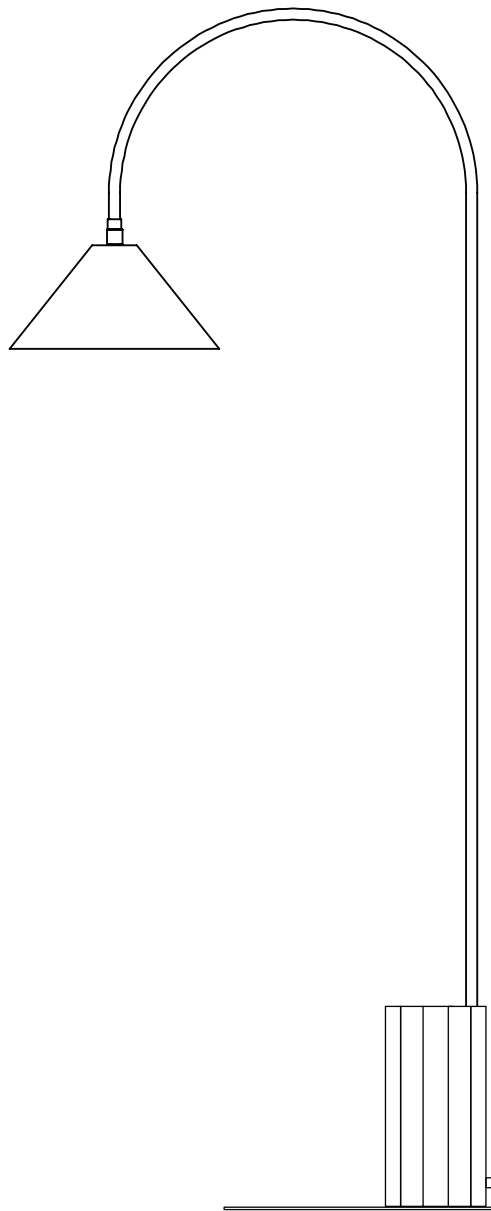


BISHOP Task Floor Lamp

Installation Instructions

coilanddrift.com
studio@coilanddrift.com
@coilanddrift

COIL +
DRIFT



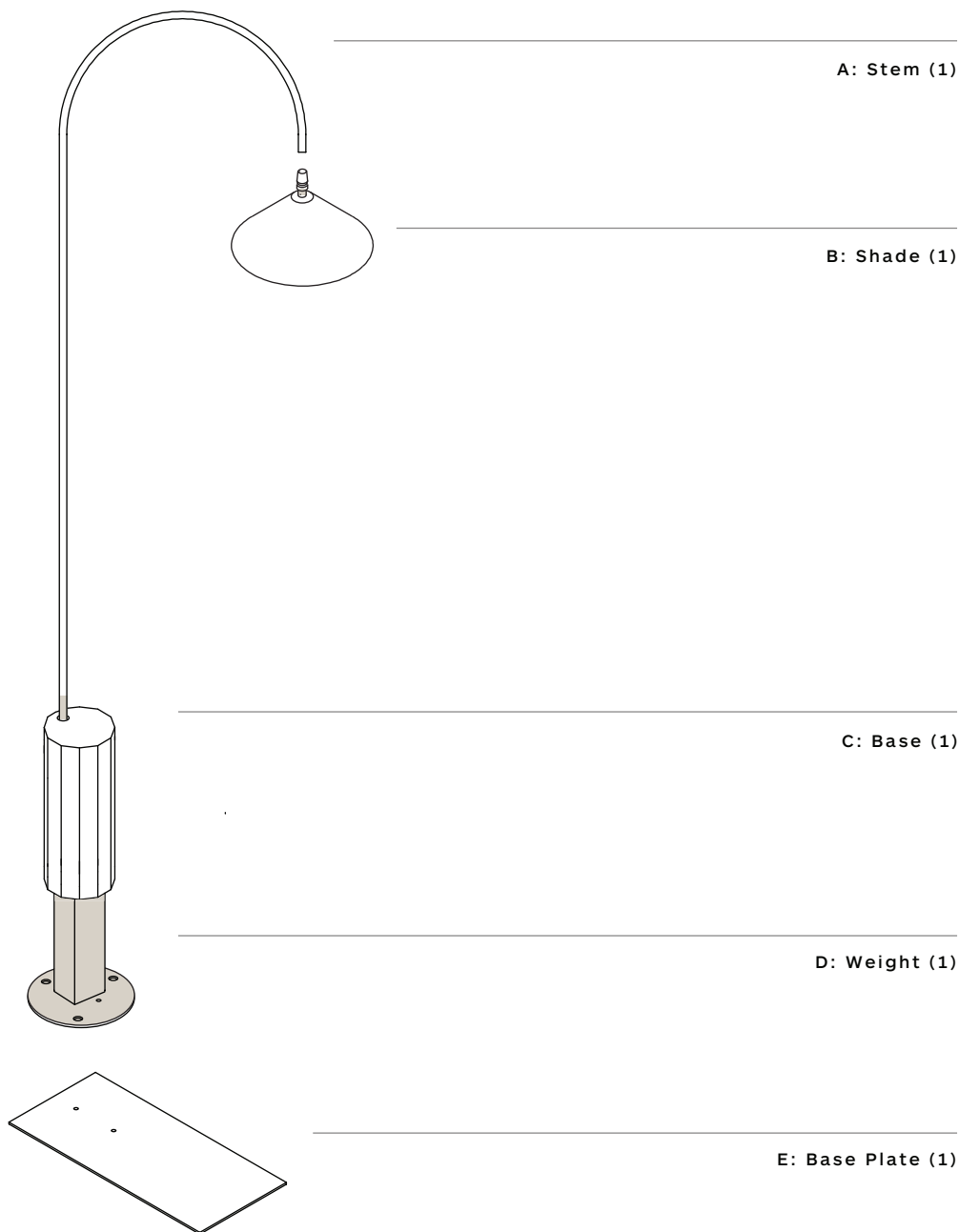
BISHOP Task Floor Lamp

Installation Instructions

coilandrft.com
studio@coilandrft.com
@coilandrft

COIL +
DRIFT

COMPONENTS:



TOOLS REQUIRED:

- + Power drill
- + Screwdriver bits
- + Allen key set

BISHOP Task Floor Lamp

coilanddrift.com
studio@coilanddrift.com
@coilanddrift

COIL +
DRIFT

Installation Instructions

BEFORE YOU BEGIN:

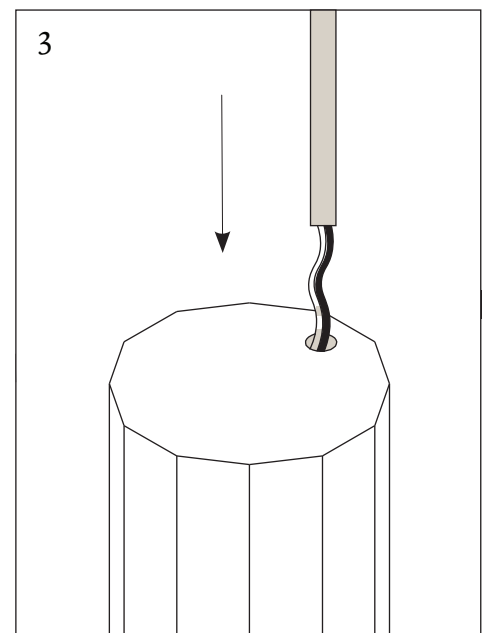
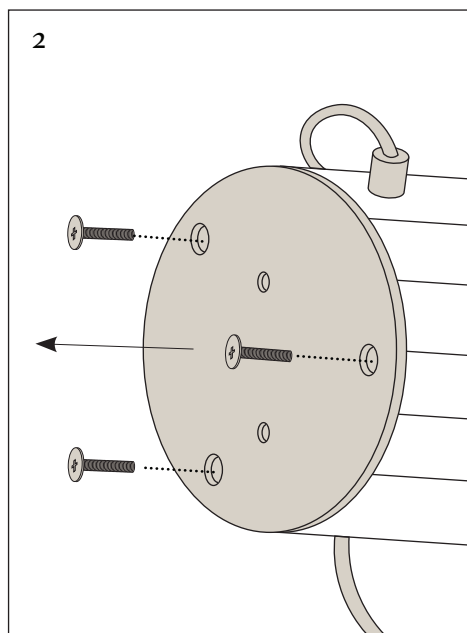
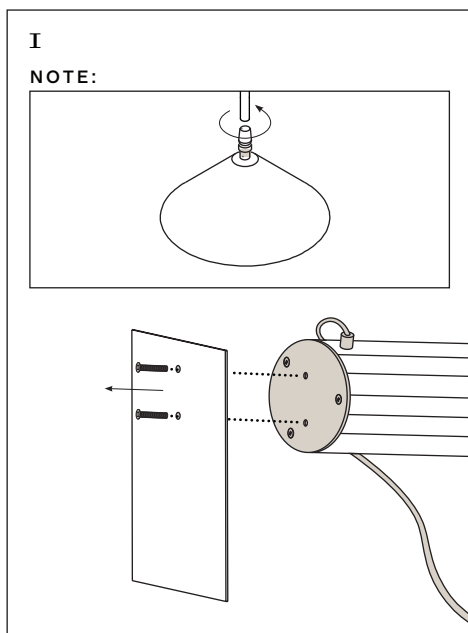
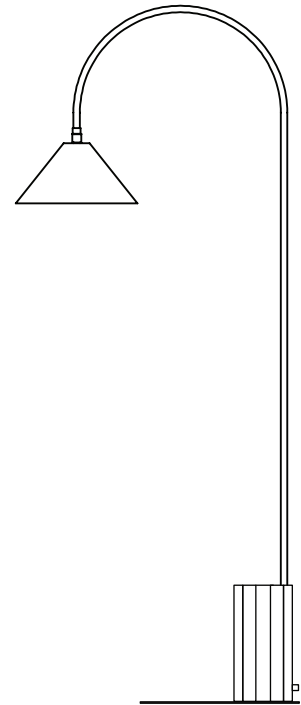
- + Always wear white cloth or latex gloves when handling the metal.
- + Two people are recommended for assembly

Having an issue? Call us at 917.664.4483

ASSEMBLING YOUR BISHOP TASK:

Note: If the Shade (B) was disconnected for packaging, screw it into Stem (A) to re-connect.

1. Detach the Base Plate (E) from the fully assembled Base (C) by removing the two screws.
2. Now remove the screws that attach the Weight (D) to the Base (C) and pull the weight out of the base entirely. Set aside nearby.
3. To connect the Stem (A) to the Base (C), insert the wires through the top hole of the base, then follow with bottom of the stem.



BISHOP Task Floor Lamp

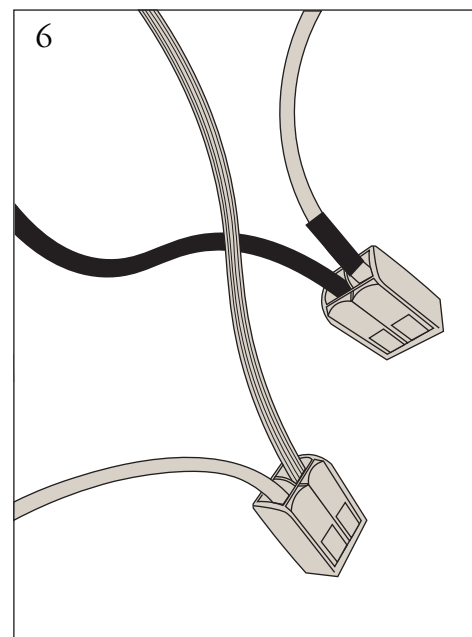
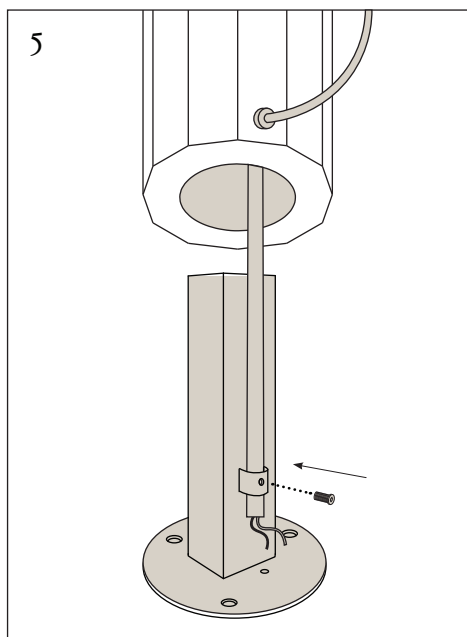
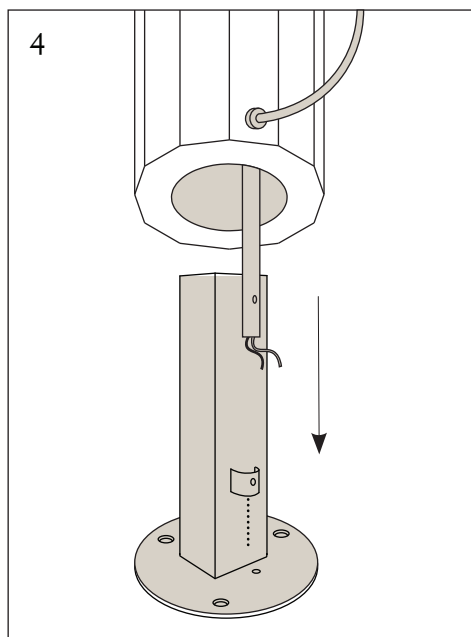
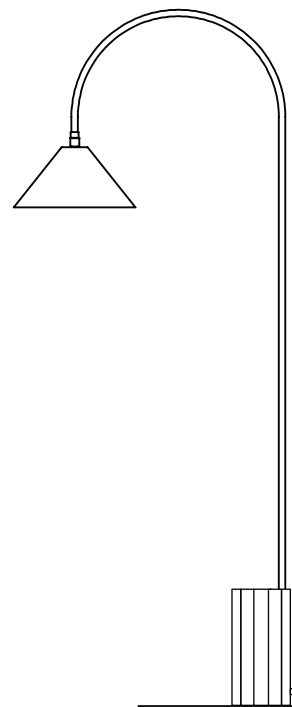
Installation Instructions

coilanddrift.com
studio@coilanddrift.com
@coilanddrift

COIL +
DRIFT

ASSEMBLING YOUR BISHOP TASK:

4. Hold the now connected Base (C) and Stem (A) above the Weight (D). Carefully lower the stem so that it passes out of the bottom of the base, and then guide it, wires first, into the ring on the Weight (D). Align the hole on the back of the rod with the hole in the ring.
5. With the Base (C) still above the Weight (D), screw the socket head cap screw through the ring and into the stem until secure.
6. Connect the wires using the Wago wire nuts by flipping up the orange toggle, inserting the corresponding wire, and closing the toggle. Be sure to connect the black wire with the live wire (clear cord with smooth surface and/or black band), and the white wire with the neutral wire (clear cord with ridged surface and/or no black band).



BISHOP Task Floor Lamp

Installation Instructions

coilanddrift.com
studio@coilanddrift.com
@coilanddrift

COIL +
DRIFT

ASSEMBLING YOUR BISHOP TASK:

7. Lower the Base (C) back onto the Weight (D), pushing the wire connections up into the hollow area inside the base.
8. Secure the Weight (D) to the Base (C) with the three screws (reversing Step 2).
9. If desired, reattach the Base Plate (E) to the connected Weight (D) and Base (C) with the two screws, (reversing Step 1). Be sure to orient the base plate to the front so that it is centered with the arch of the stem. We recommend the base plate be used for extra stability in high traffic areas and around children.

Enjoy your Bishop Task Floor Lamp!

